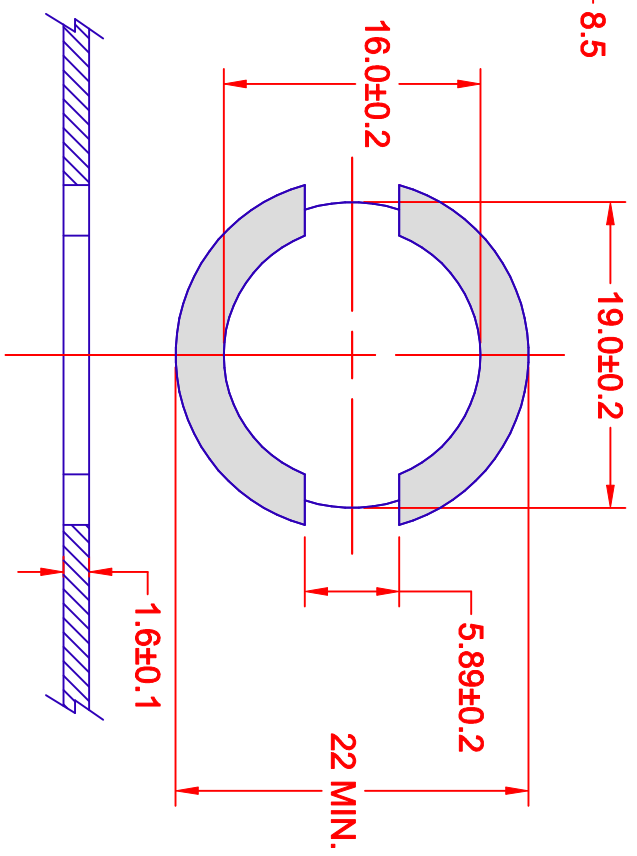
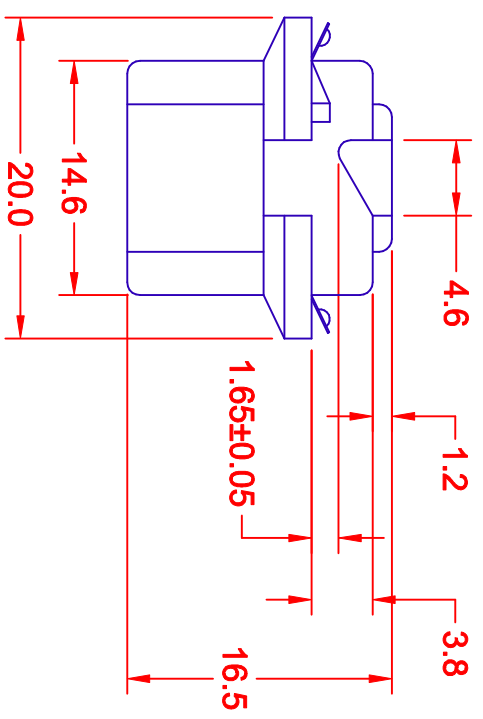
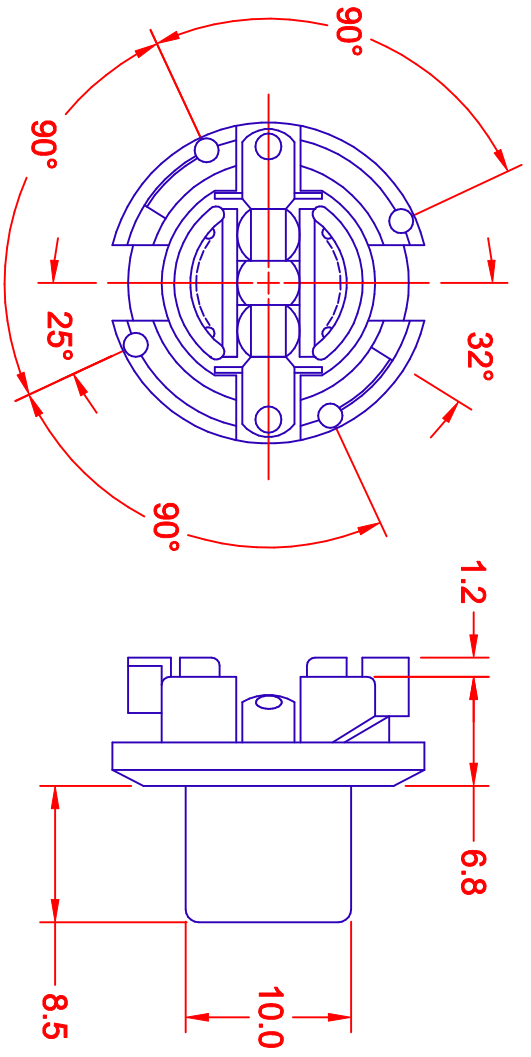


REV.	DESCRIPTION/ECO NO.	DATE
	RELEASED TO CAD	8/26/02
A	CHNG. COPPER PATTERN	4/3/03



P.C. BOARD PATTERN

JKL PART NO.: 2919/BLA  
 SOCKET COLOR: BLACK

METRIC		DIMENSIONS ARE IN MILLIMETERS		TITLE	
THIRD ANGLE PROJECTION		TOLERANCE UNLESS OTHERWISE SPECIFIED		<b>JKL</b> COMPONENTS CORPORATION	
ANGLE +/- 0		1 PL +/- 0.2 2 PL +/- 0.20		T-3 1/4 WEDGE BASE SOCKET	
DRAWN BY	APP'D BY	DATE	SIZE	FIG. NO.	DRAWING NO.
L. WENGSTROM	J.K.	4/3/03	A	55335	
- CAD DRAWING - MANUAL REVISIONS NOT PERMITTED			SCALE	NONE	RELEASED DATE
					8/26/02
				REVISION DATE	4/3/03
				REV. NO.	A
				SHEET	1 OF 1
				SOCKET 2919	