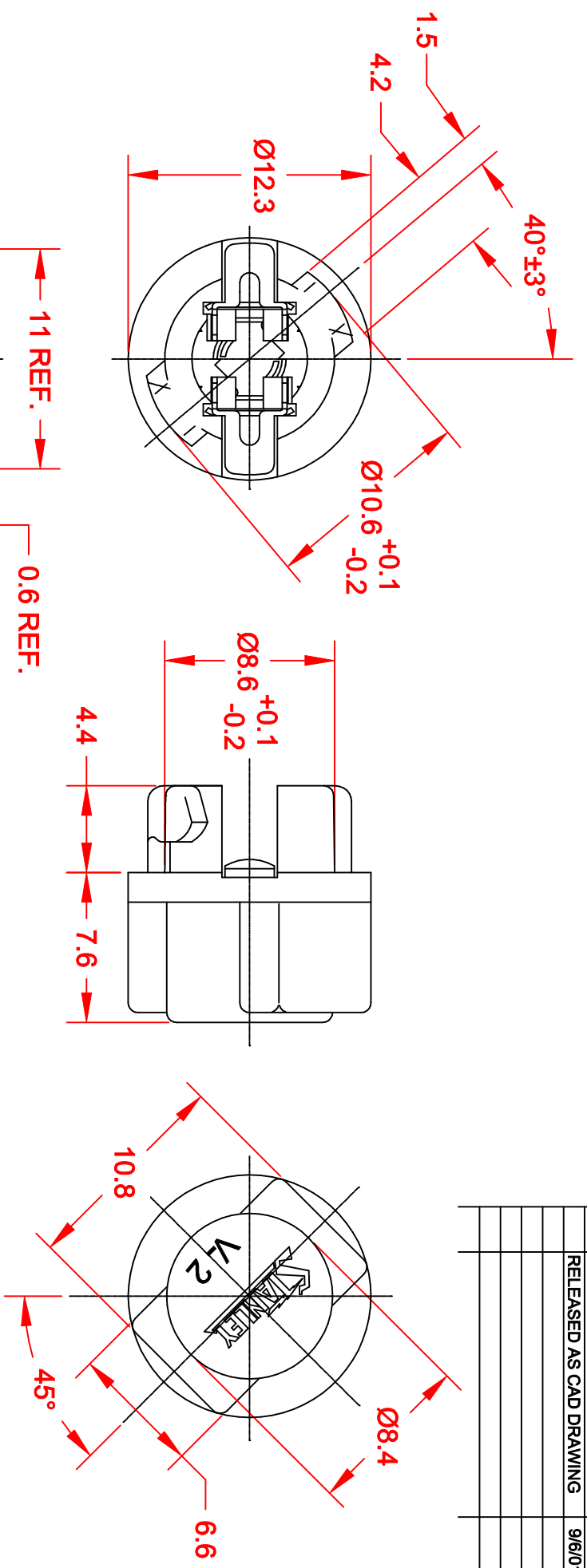
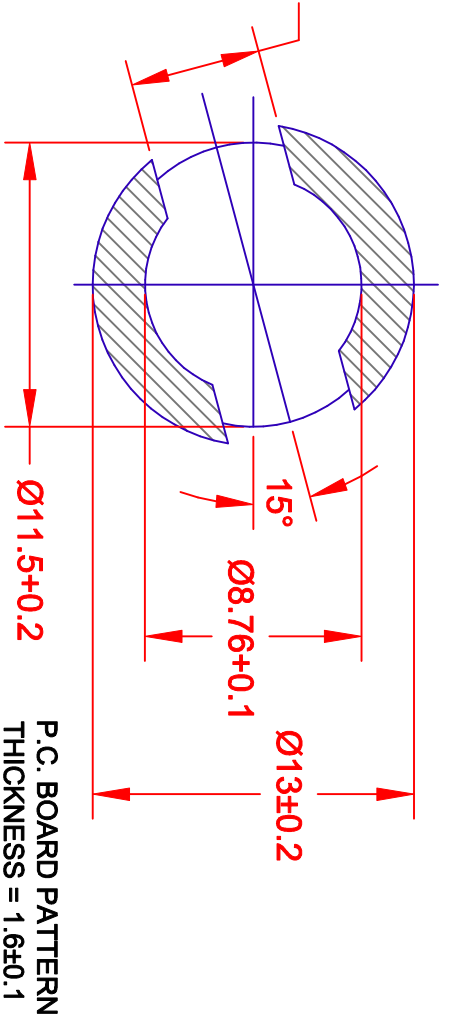


REV.	DESCRIPTION/ECCO NO.	DATE
	RELEASED AS CAD DRAWING	9/6/01



NOTE:
 NO TREATMENT SUCH AS APPLICATION OF FLUX SHALL BE DONE TO COPPER CONTACT PLATES ON PRINTED CIRCUIT BOARD TO WHICH THIS LAMP SOCKET IS MOUNTED



JKL SOCKET	COLOR
PART NO.	BLACK
2934/BLK	
2934/BRO	BROWN

METRIC	DIMENSIONS ARE IN MILLIMETERS	TITLE
THIRD ANGLE PROJECTION	TOLERANCE UNLESS OTHERWISE SPECIFIED	JKL COMPONENTS CORPORATION
	1 PL +/- 0.2	T-1 3/4 WEDGE BASE SOCKET
	2 PL +/- 0.20	
	ANGLE +/- 0	
DRAWN BY L. WENGSTROM	APPROVED BY J.K.	DATE 9/6/01
- CAD DRAWING -		SCALE NONE
MANUAL REVISIONS NOT PERMITTED		FORM NO. 55335
		DRAWING NO. 2934
		RELEASED DATE 9/6/01
		REVISION DATE
		REV. NO.
		SHEET 1 OF 1