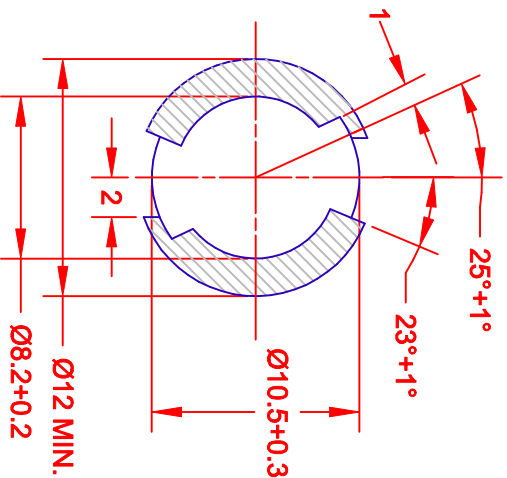
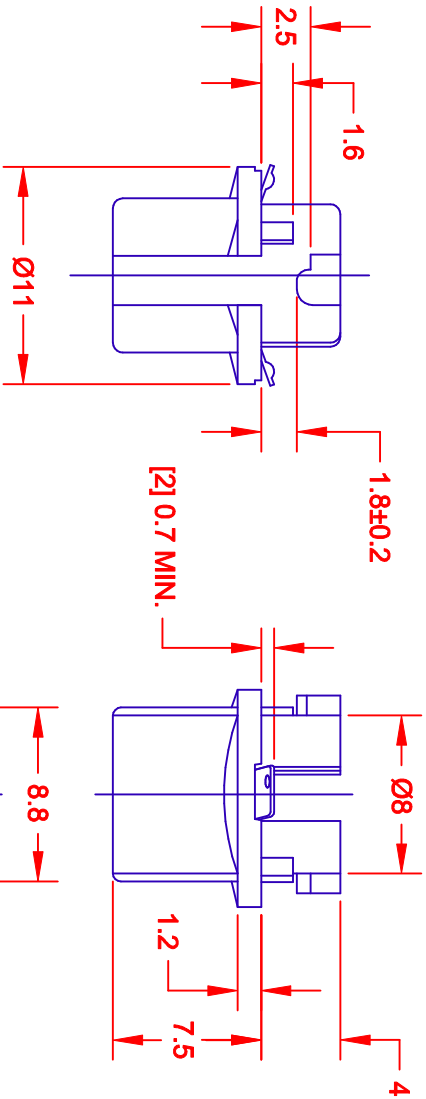
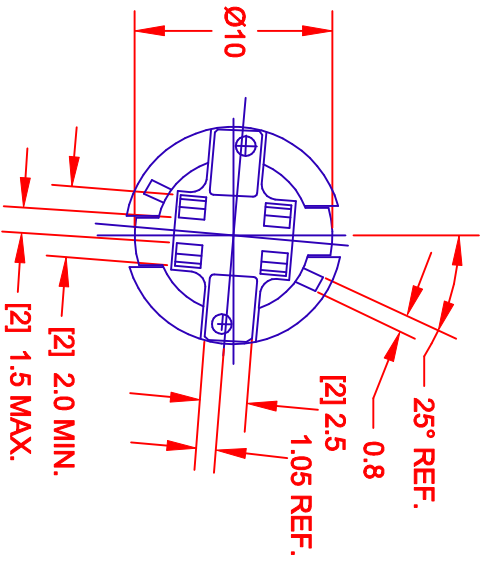


| REV. | DESCRIPTION/ECCO NO.        | DATE    |
|------|-----------------------------|---------|
|      | RELEASED AS CAD DRAW. AND   | 12/8/00 |
|      | NEW PART-CANCEL 2929 REV. 1 |         |
|      |                             |         |
|      |                             |         |
|      |                             |         |



BASE COLOR: BLACK

| METRIC                 | DIMENSIONS ARE IN MILLIMETERS        |
|------------------------|--------------------------------------|
| THIRD ANGLE PROJECTION | TOLERANCE UNLESS OTHERWISE SPECIFIED |
|                        | 1 PL +/- 0.2                         |
|                        | 2 PL +/- 0.20                        |
|                        | ANGLE +/- 0                          |

**JKL COMPONENTS CORPORATION**  
**T-1 3/4 WEDGE BASE SOCKET**

|   |                 |                 |
|---|-----------------|-----------------|
| DRAWN BY<br>L. WENGSTROM                          | APPR'D BY<br>JK | DATE<br>12/9/00 |
| - CAD DRAWING -<br>MANUAL REVISIONS NOT PERMITTED |                 |                 |

| SIZE               | SCALE | FORM NO. | DRAWING NO. | RELEASED DATE | REVISION DATE | REV. NO. | SHEET  |
|--------------------|-------|----------|-------------|---------------|---------------|----------|--------|
| A                  | NONE  | 55335    |             | 12/9/00       |               |          | 1 OF 1 |
| <b>SOCKET 2929</b> |       |          |             |               |               |          |        |