

4

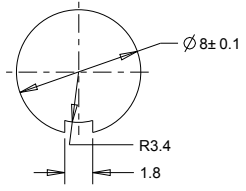
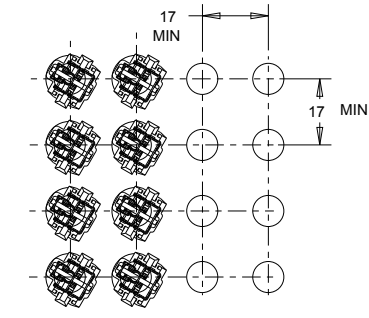
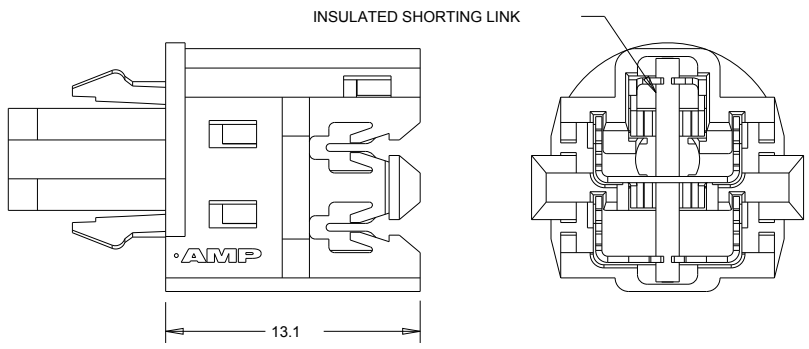
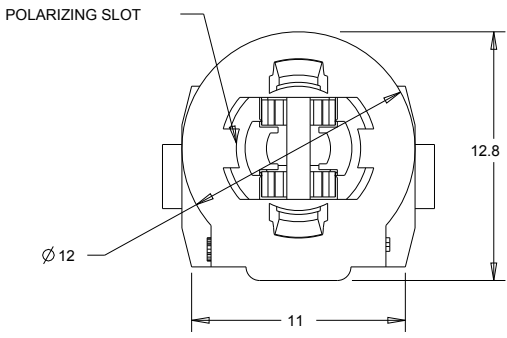
3

2

1

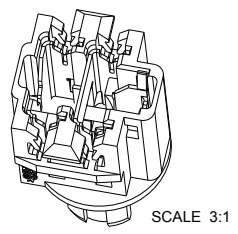
THIS DRAWING IS UNPUBLISHED. RELEASED FOR PUBLICATION .19 21.FEB 96
 BY AMP INCORPORATED. ALL RIGHTS RESERVED.

LOC		DIST		REVISIONS			
P	LTR	DESCRIPTION	DATE	DWN	APVD		
	D	ECR-10-010252	24/05/10	MJG	JA		



RECOMMENDED PANEL CUTOUT DIMS. (CUTOUT TAB MAY BE) (IS NOT REQUIRED)

- 1 MATERIALS
 HOUSING :- NYLON 66
 CONTACTS :- BRASS
- 2 AMP PRODUCT SPEC No 108-3382.
 3 AMP APPLICATION SPEC No 114-3185.



RECOMMENDED MAXIMUM PANEL DENSITY FOR MANUAL WIRE INSERTION TOOLS. CONSULT AMP FOR PITCHING DIMENSIONS IF USING POWERED TOOLING. SCALE 1:1
 PANEL THICKNESS 1.5 TO 2.0

BULBHOLDER WITHOUT BULB	NATURAL	349495-2
DESCRIPTION	HOUSING COLOUR	PART NUMBER

<small>THIS DRAWING IS A CONTROLLED DOCUMENT FOR AMP INCORPORATED. IT IS SUBJECT TO CHANGE AND THE CONTROLLING ENGINEERING ORGANIZATION SHOULD BE CONTACTED FOR THE LATEST REVISION.</small>		DWN 18-MAR-96 D.R.TERRY CHK 28-JUN-96 B.COOLBEAR APVD 28-JUN-96 B.COOLBEAR	AMP AMP of Great Britain Ltd Terminal House, Stanmore, Middx. HA7 4RS.
DIMENSIONS: mm 	TOLERANCES UNLESS OTHERWISE SPECIFIED: LINEAR 0.5 0 PLG 1 - - 1 PLG 1 - - 2 PLG 1 - - 3 PLG 1 - - 4 PLG 1 - - DIMES 1 - -	NAME 5mm IDC BULBHOLDER ASSEMBLY WITHOUT DIODE	SIZE A3
MATERIAL	FINISH	WEIGHT 114-3185 CUSTOMER DRAWING	CAGE CODE 00779 DRAWING NO 349495
SCALE 5:1		SHEET 1 OF 1 REV D	