



"Since 1975... serving the automotive industry and over 2,000 OEM customers"

Bulb Sockets

Series J-934

Wedge Base & Specialty Sockets

J-934 A, B

Specifications

Wedge Base Lamp Socket

Design: Will accept T-3¼ through T-5 wedge base lamps

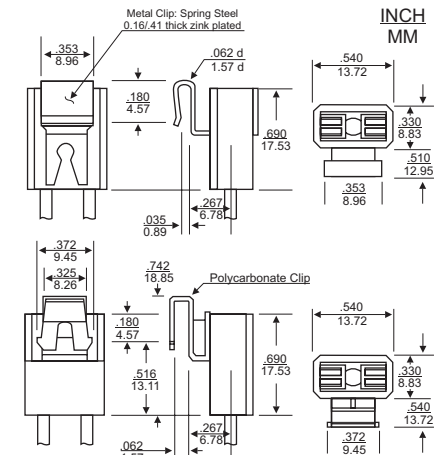
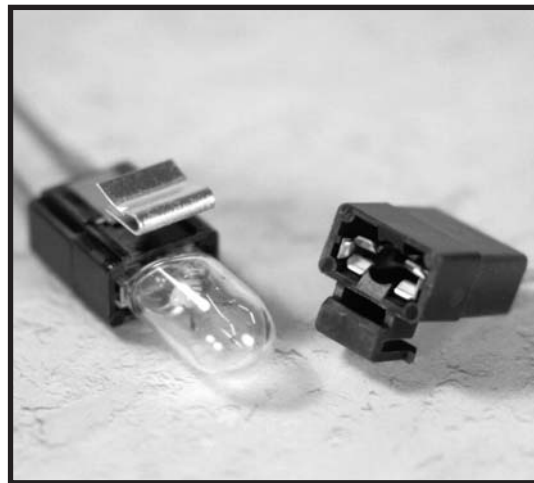
Contact Material: Beryllium Copper

Housing Material: Polycarbonate, Nylon, or special plastic resin

Mounting: A: Plastic Clip B: Metal Clip (also avail. with no mounting clip)

Leads: PCB, Wire (18, 20, 22AWG), solid wire without insulation

UL & CSA Recognized



Dimensions given for approximate size only. Contact factory for specific applications and panel hole sizes.

J-934C

Specifications

Wedge Base "Twist-In" Lamp Socket

Design: Will accept T-3¼ through T-5 wedge base lamps

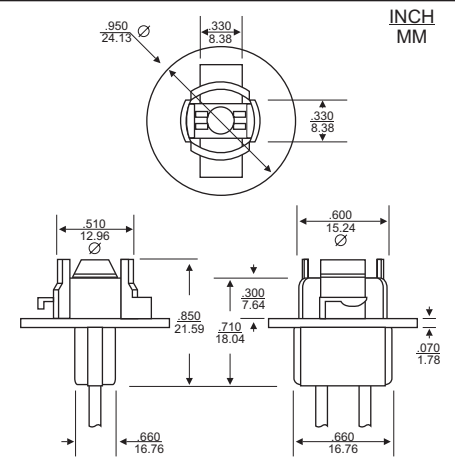
Contact Material: Beryllium Copper

Housing Material: Polycarbonate, Nylon, or special plastic resin

Mounting: Twist-In

Leads: PCB, Wire (18, 20, 22AWG), solid wire without insulation

UL & CSA Recognized



Dimensions given for approximate size only. Contact factory for specific applications and panel hole sizes.

J-934 / Custom

Specifications

Custom Wedge Base Lamp Socket

Design: Will accept T-3¼ through T-5 wedge base lamps

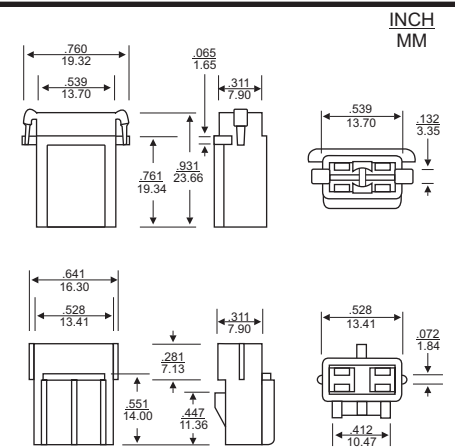
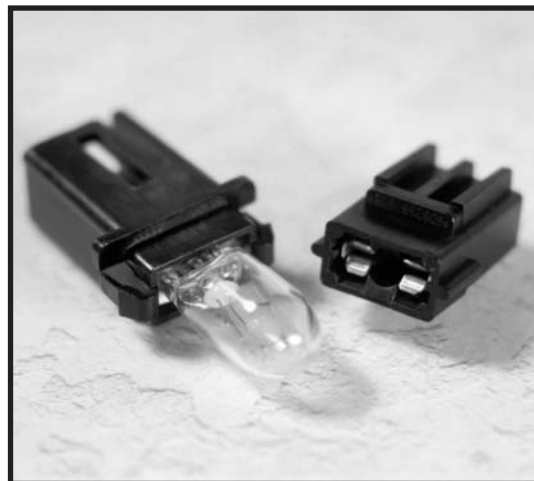
Contact Material: Beryllium Copper

Housing Material: Polycarbonate, Nylon, or special plastic resin

Mounting: Snap-in, or other means

Leads: Designed for plug in mating with compatible connectors

UL & CSA Recognized



Dimensions given for approximate size only. Contact factory for specific applications and panel hole sizes.