

Introducing Low and High Intensity LED Light Pipe

 **Tyco Electronics**
Our commitment. Your advantage.

Low and High Intensity LED Light Pipe

KEY FEATURES

- Complete solution with LED, Light Pipe Holder, Driver and Cables
- Low Intensity Light Engine Assembly includes a 1/2 watt LED and driver
- High Intensity Light Socket Assembly available for 1 to 5 watt LED
- High Intensity Light Socket Assembly accepts commercially available Star Board LEDs
- Double Sided Light Engine and Light Socket Assembly maximizes light output
- Both 5mm and 10mm Light Pipes available in optical grade clear acrylic
- 1/2 Watt LED Engine Assembly with integrated DC driver does not require any additional heat sink or forced air cooling
- Light Pipe Holder allows the reflector strip to be oriented in 4 different positions for directional lighting flexibility
- LED light source located on end of LIGHT Pipe rod for remote lighting applications
- Options for curved Light Pipes
- Maximum recommended length is 2 meters/78 inches
- Light pipe can be linear or configured in various shapes
- Black anodized heat sink available upon special request

DESCRIPTIONS

Linear light source using a TE proprietary large core optical fiber rod that projects a band of light along the entire length of the Light Pipe using one or more LEDs.

APPLICATIONS

Accent/trim lighting found in commercial building, industrial, appliance, rail, motor vehicle and commercial aircraft

ELECTRICAL

High Intensity Light Socket

Operating Voltage : Socket can accommodate up to 50V max

Operating Current : Socket can accommodate up to 2500mA

Maximum wattage : Up to 5 watts is possible

Dependant on LED Type

Dependant on max LED Junction Temperature & Environmental conditions

Low Intensity Light Engine

Input Voltage : Universal 7-27VDC

LED Wattage Rating : 1/2 watt

MATERIALS

Light Pipe

Clear and White Acrylic

Low Intensity Light Engine Assembly

Housing : PB

PCB : FR4

High Intensity Light Socket Assembly

Contact Carrier : PBT

Locking Ring : PBT

Contacts : Copper Alloy - Tin Plated

Heat Sink : Cast Aluminum

STANDARDS AND SPECS

Low Intensity Light Engine Assembly

108-2347 : Design Objectives

114-13241 : Application Specification

High Intensity Light Socket Assembly

108-2348 : Design Objectives

114-13232 : Application Specification

UL 8750

Low and High Intensity LED Light Pipe

MECHANICAL

5mm and 10mm diameter Light Pipe

Light Pipe lengths of up to 2 meters

Complete LED Engine, Driver, Light Pipe Holder

PRODUCT OFFERING

2008876-1 : 10mm Low Intensity Light Engine Assembly

2008876-2 : 5mm Low intensity Light Engine Assembly

2008639-1 : High Intensity Light Socket Assembly (10mm only)

2058295-X : 10mm Light Pipe (various lengths available, see customer drawing)

2058296-X : 5mm Light Pipe (various lengths available, see customer drawing)

OPTIONAL ACCESSORIES

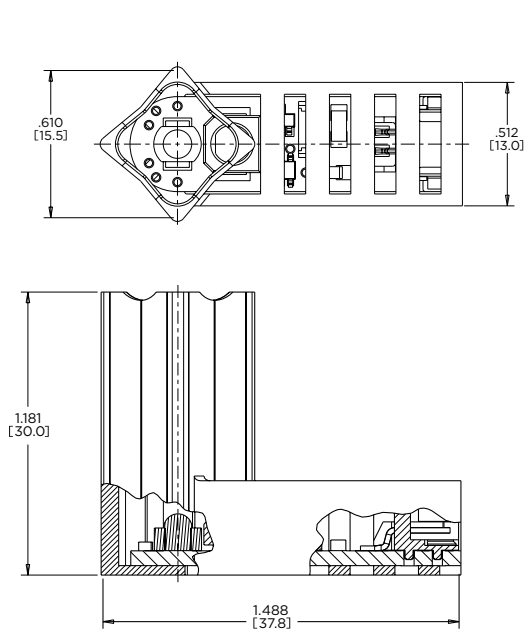
2058329-1 : Thermally Conductive Pad

2058077-1 : 2 Position CT Low Intensity Light Engine Cable Assembly

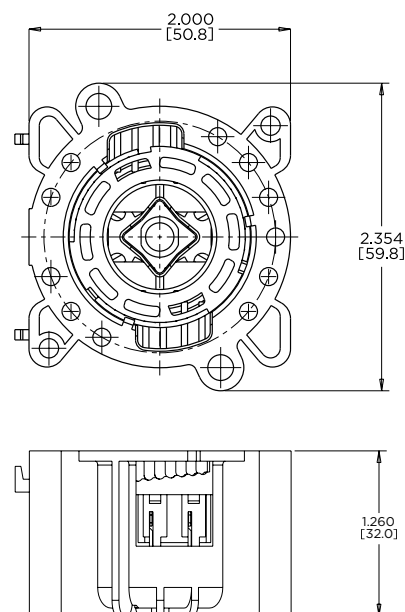
2058102-1 : ULTRA-FAST High Intensity Light Socket Cable Assembly 1.52 mm [6.00] long (Black)

2058102-2 : ULTRA-FAST High Intensity Light Socket Cable Assembly 1.52 mm [6.00] long (Red)

Low Intensity Light Engine



High Intensity Light Engine



FOR MORE INFORMATION

www.tycoelectronics.com/lighting

Technical Support

Internet:	www.tycoelectronics.com/help
USA:	+1 (800) 522-6752
Canada:	+1 (905) 470-4425
Mexico & Central America:	+52(0) 55-1106-0814
South America:	+55 (0) 11-2103-6000
Germany:	+49 (0) 6251-133-1999
UK:	+44 (0) 8706-080208
France:	+33 (0) 1-3420-8686
Netherlands:	+31 (0) 73-6246-999
China:	+86 (0) 400-820-6015

Part numbers in this brochure are RoHS Compliant*, unless marked otherwise.

*as defined www.tycoelectronics.com/leadfree

Tyco Electronics Corporation

Harrisburg, PA

tycoelectronics.com

© 2009 Tyco Electronics Corporation. All Rights Reserved.

6-1773453-7 3M FP 01/2010

TE (logo) and Tyco Electronics are trademarks of the Tyco Electronics group of companies and its licensors.

Other products, logos, and Company names mentioned herein may be trademarks of their respective owners.

While Tyco Electronics has made every reasonable effort to ensure the accuracy of the information in this catalog, Tyco Electronics does not guarantee that it is error-free, nor does Tyco Electronics make any other representation, warranty or guarantee that the information is accurate, correct, reliable or current. Tyco Electronics reserves the right to make any adjustments to the information contained herein at any time without notice. Tyco Electronics expressly disclaims all implied warranties regarding the information contained herein, including, but not limited to, any implied warranties of merchantability or fitness for a particular purpose. The dimensions in this catalog are for reference purposes only and are subject to change without notice. Specifications are subject to change without notice. Consult Tyco Electronics for the latest dimensions and design specifications.

