

4

3

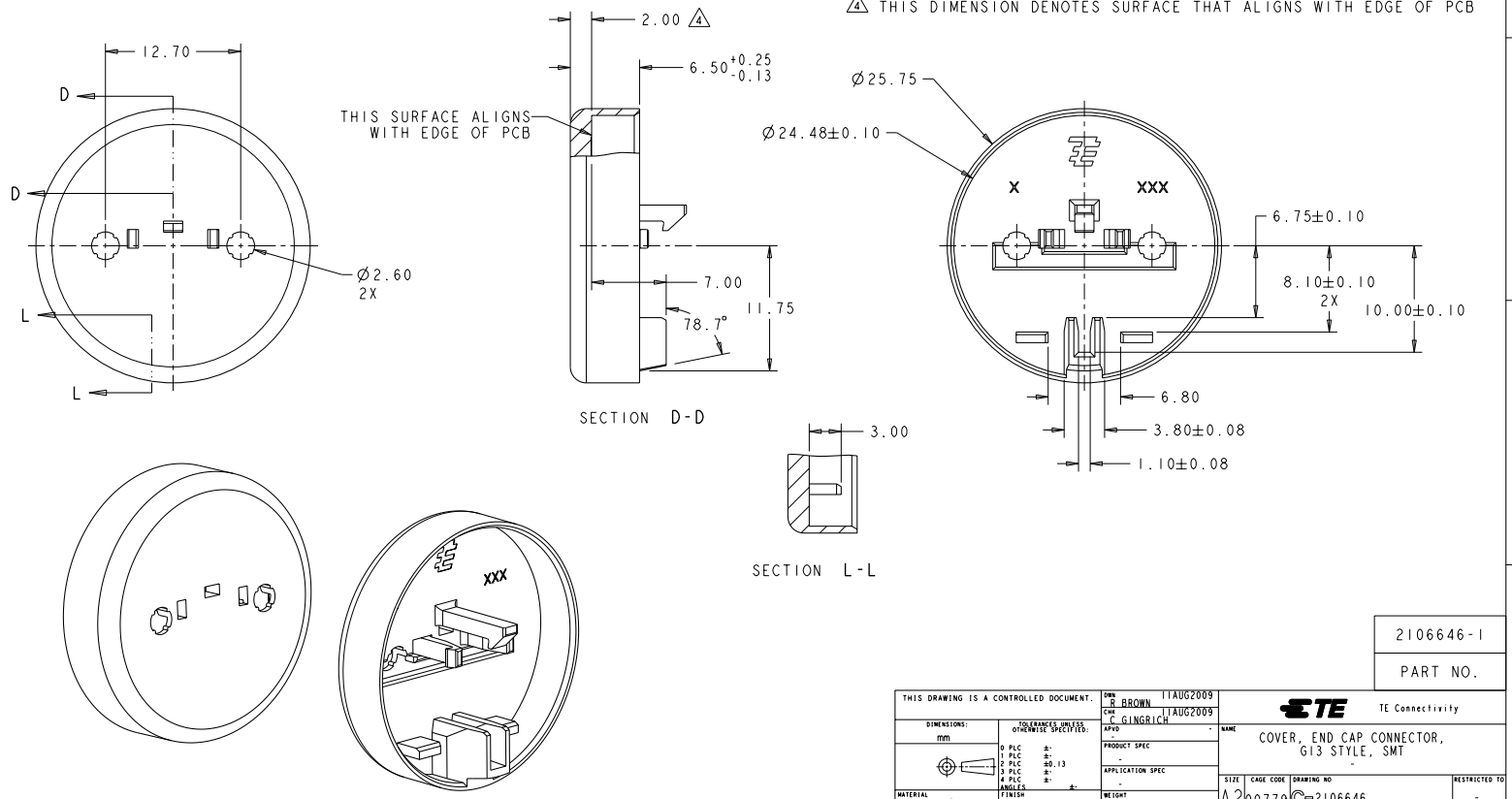
2

1

THIS DRAWING IS UNPUBLISHED. RELEASED FOR PUBLICATION. ALL RIGHTS RESERVED.

LOC		DISP		REVISIONS			
P	LYR	DESCRIPTION	DATE	BY	CHK	APPR	
A1		REVISED PER ECO-11-004820	11MAR2011	BR	HMR		

- △ MATERIAL: PBT. COLOR: NATURAL
- 2. THIS PRODUCT HAS NOT COMPLETED VALIDATION TESTING
- 3. MUST COMPLY WITH DIRECTIVE 2002/95/EC (ROHS)
- △ THIS DIMENSION DENOTES SURFACE THAT ALIGNS WITH EDGE OF PCB



2106646-1
PART NO.

THIS DRAWING IS A CONTROLLED DOCUMENT.		OWN R. BROWN	11AUG2009	TE Connectivity
DRAWN BY C. GLINGRICH		CHK C. GLINGRICH	11AUG2009	
DIMENSIONS: mm		PRODUCT SPEC		COVER, END CAP CONNECTOR, G13 STYLE, SMT
DIMENSIONS: mm 0 PLC ±. 1 PLC ±. 2 PLC ±0.13 3 PLC ±. 4 PLC ±. ANGLES ±. FINISH		APPLICATION SPEC		
MATERIAL △ -		WEIGHT	SIZE CASE CODE DRAWING NO A200779	RESTRICTED TO
CUSTOMER DRAWING		SCALE 4:1	SHEET 1 OF 1	REV A1