



Pontiac Coil

2110 Queensway Searcy, AR 72143

Phone 501-268-6877 Website: www.pontiaccoil.com

Model L-11 DC Solenoid Open Frame, Pull Type

Pontiac Coil - Arkansas is an ISO 9001:2000 Certified Company

*Resistance values are $\pm 10\%$ at 25°C

Model Code	Part No.	Voltage	Duty Cycle	Power (W)	Resistance (Ω)*	Current (A)
L-11PL012D-C	F0431A	12VDC	Continuous	8	18.0	0.7
L-11PL012D-I	F0432A	12VDC	Intermittent	19	7.6	1.6
L-11PL024D-C	F0433A	24VDC	Continuous	8	72.0	0.4
L-11PL024D-I	F0434A	24VDC	Intermittent	19	30.3	0.8

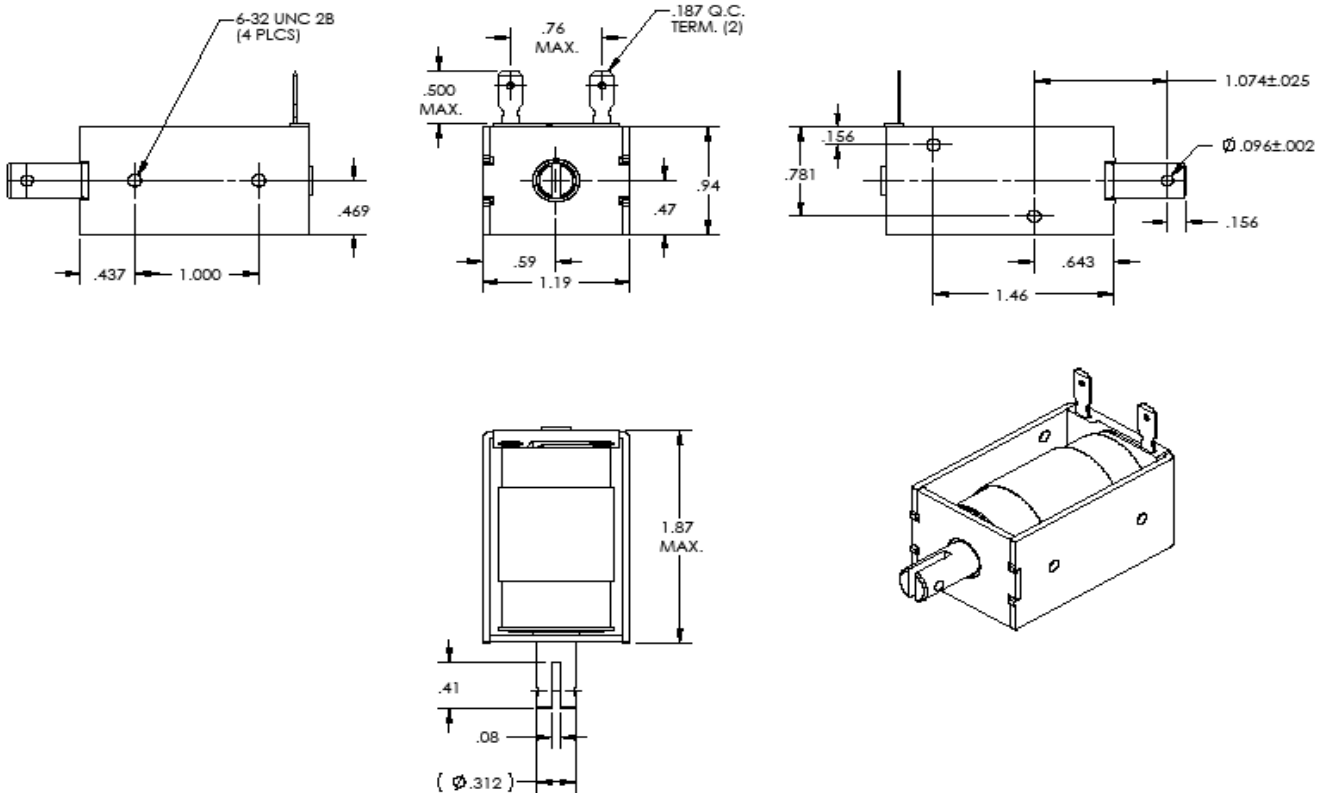
Definition of Duty Cycles:

Continuous = indefinite activation; **Intermittent** = 1 minute ON and 3 minutes OFF; **Pulse** = 100 msec. ON and 900 msec. OFF

Special order options: 6 to 48 Volts DC or AC. Consult factory for other available modifications.

Stroke (in.):	Sealed	1/16	1/8	1/4	3/8	1/2	5/8	3/4
Cont. Duty force	84 oz.	46 oz.	26 oz.	10 oz.	6 oz.	4 oz.	3 oz.	2 oz.
Int. Duty force	92 oz.	64 oz.	45 oz.	24 oz.	15 oz.	11 oz.	8 oz.	6 oz.

Typical force values when operated at 100% rated voltage at 25°C. Derating required for lower voltage and higher temperature.



Solenoid shown energized, with plunger seated

Insulation Materials: UL Construction, Class B 130°C

Copper magnet wire insulation rated 155°C (class F)

Voltage Breakdown Strength: 1500 VAC RMS

Life Expectancy: 10 million operations