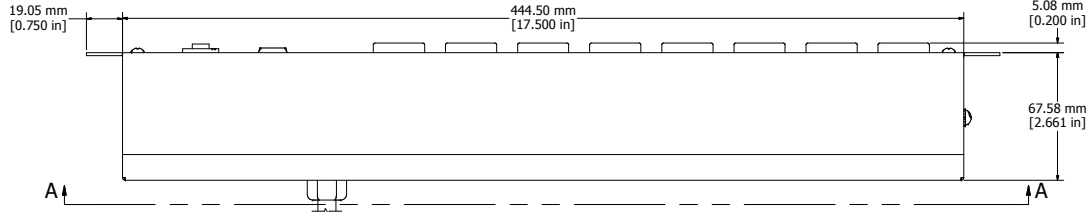
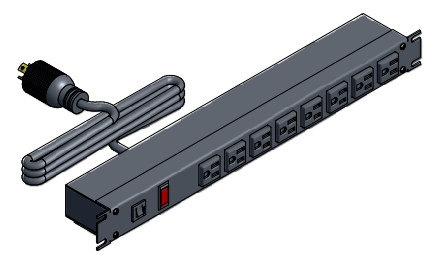
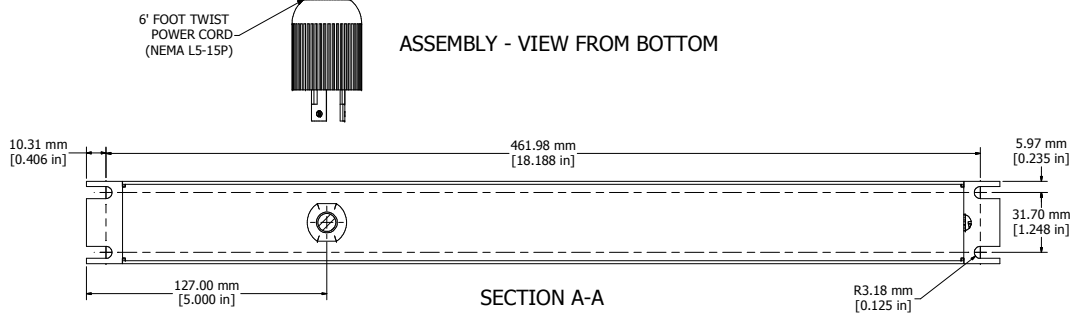


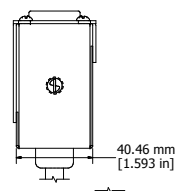
ASSEMBLY - VIEW FROM FRONT



ASSEMBLY - VIEW FROM BOTTOM



ISOMETRIC VIEW



ASSEMBLY - VIEW FROM SIDE

<b>1582T8C1BK</b>	
Finish - Front - Black Painted Steel	
Back - Black Painted Steel	
Rated - 125 VAC, 60 Hz, 15 Amps	
Approvals - CSA Certified Standards C22.2 (No. 21-95, 42-99)	
- UL Recognized Standard UL1363	
<b>Colours &amp; Cord Length</b>	
1582T8C1BK - Black w/ 6' Foot Twist Power Cord (NEMA L5-15P)	
1582T8C1 - ASA 61 Grey w/ 6' Foot Twist Power Cord (NEMA L5-15P)	
1582T8D1BK - Black w/ 15' Foot Twist Power Cord (NEMA L5-15P)	
1582T8D1 - ASA 61 Grey w/ 15' Foot Twist Power Cord (NEMA L5-15P)	

**HAMMOND MANUFACTURING™**

**1582T8C1BK**

www.hammondmfg.com