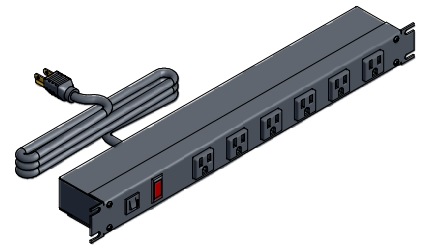
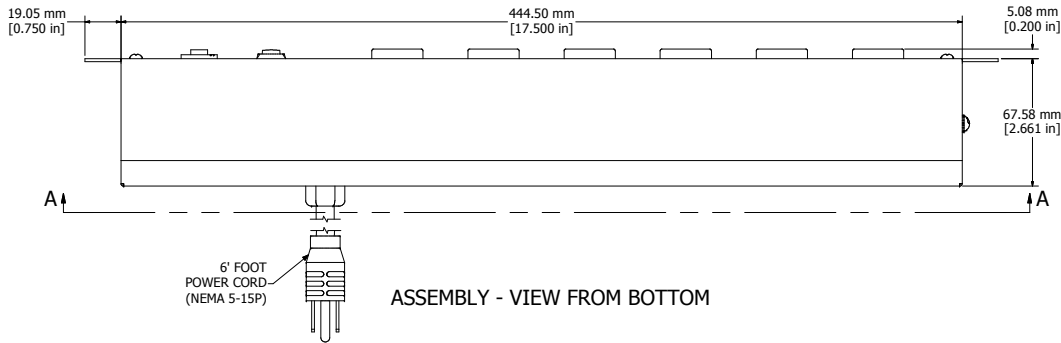


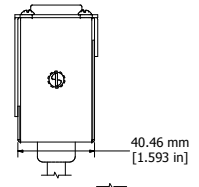
ASSEMBLY - VIEW FROM FRONT



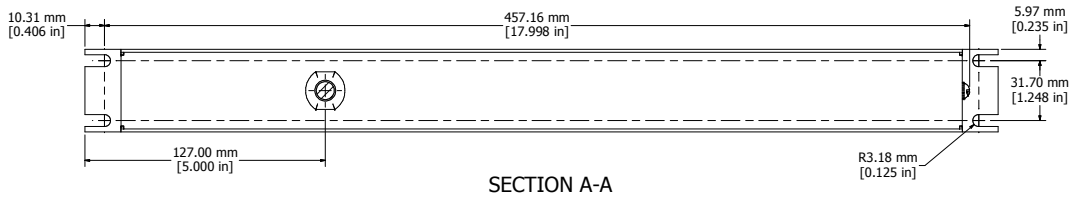
ISOMETRIC VIEW



ASSEMBLY - VIEW FROM BOTTOM



ASSEMBLY - VIEW FROM SIDE



SECTION A-A

| | |
|--|----------------------------|
| 1582T6A1BKRA | |
| Finish - Front - Black Painted Steel | Back - Black Painted Steel |
| Rated - 125 VAC, 60 Hz, 15 Amps | |
| Approvals - CSA Certified Standards C22.2 (No. 21-95, 42-99) | |
| - UL Recognized Standard UL1363 | |
| Cord Length | |
| 1582T6A1BKRA - 6' Foot Power Cord (NEMA 5-15P) | |
| 1582T6B1BKRA - 15' Foot Power Cord (NEMA 5-15P) | |

