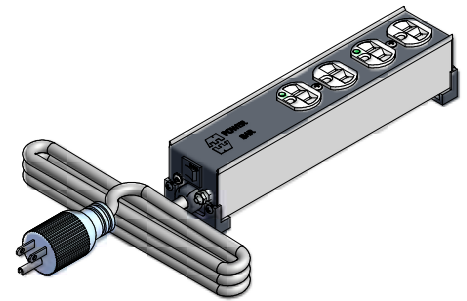
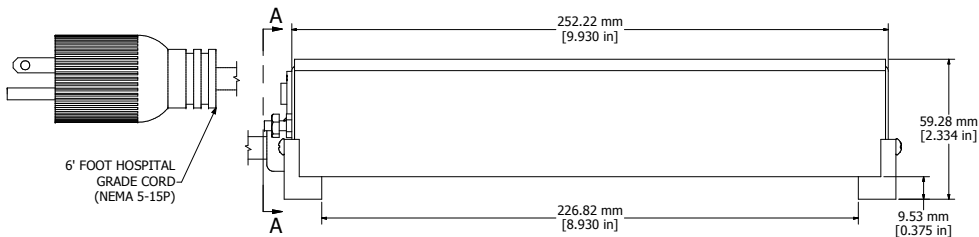


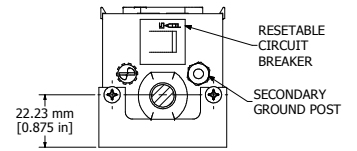
ASSEMBLY - VIEW FROM TOP



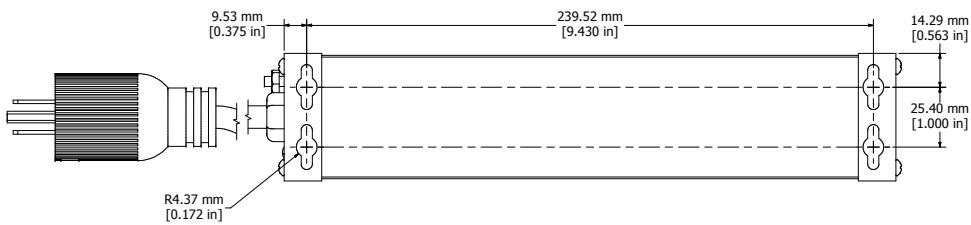
ISOMETRIC VIEW



ASSEMBLY - VIEW FROM SIDE



SECTION A-A



ASSEMBLY - VIEW FROM BOTTOM

| |
|---------------------------------------------------------------|
| 1584T4DH6 |
| Finish - Top - Black Painted Steel |
| Bottom - Aluminum Extrusion |
| Rated - 120 VAC, 60 Hz, 15 Amps |
| Approvals - CSA Certified Standards C22.2 (No. 21-95, 42-99), |
| Cord Sets no. 8 - Hospital Grade Powerbars (Canada Only) |
| - TUVus Certified to UL60601-1 & UL1363 |
| Cord Length |
| 1584T4DH6 - 6' Foot Power Cord (NEMA 5-15P) |
| 1584T4DH - 12' Foot Power Cord (NEMA 5-15P) |

