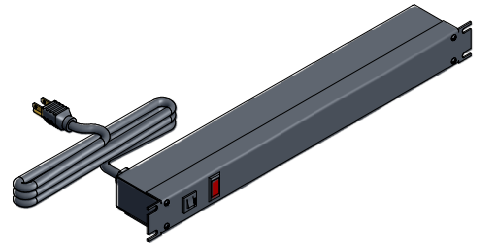
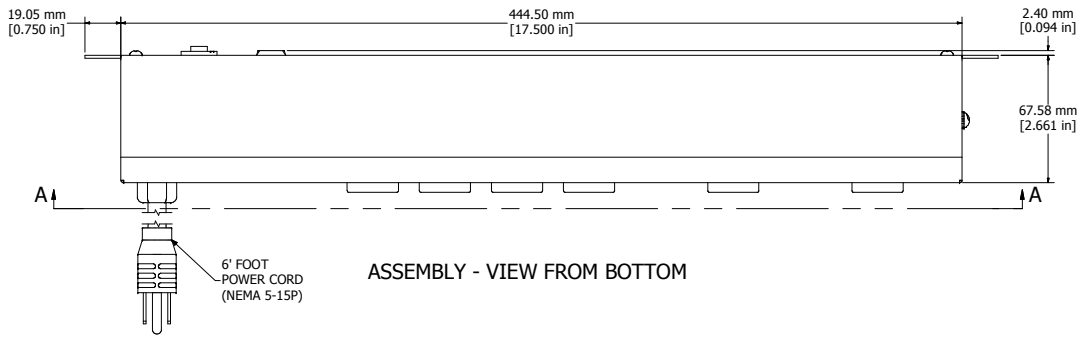


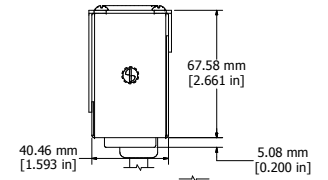
ASSEMBLY - VIEW FROM FRONT



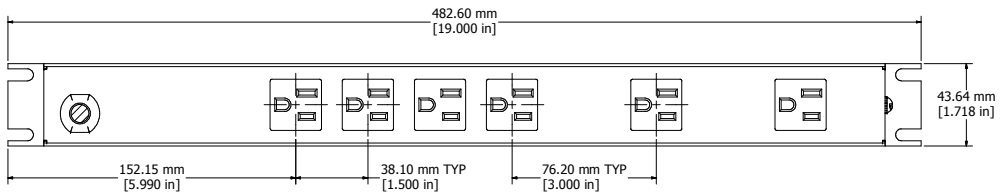
ISOMETRIC VIEW



ASSEMBLY - VIEW FROM BOTTOM



ASSEMBLY - VIEW FROM SIDE



SECTION A-A

<b>1583T6A1BK</b>
Finish - Front - Black Painted Steel
Back - Black Painted Steel
Rated - 125 VAC, 60 Hz, 15 Amps
Approvals - CSA Certified Standards C22.2 (No. 21-95, 42-99)
- UL Recognized Standard UL1363
<b>Colours &amp; Cord Length</b>
1583T6A1BK - Black w/ 6' Foot Power Cord (NEMA 5-15P)
1583T6A1- ASA 61 Grey w/ 6' Foot Power Cord (NEMA 5-15P)
1583T6B1BK - Black w/ 15' Foot Power Cord (NEMA 5-15P)
1583T6B1- ASA 61 Grey w/ 15' Foot Power Cord (NEMA 5-15P)



**HAMMOND  
MANUFACTURING™**

**1583T6A1BK**

www.hammondmfg.com