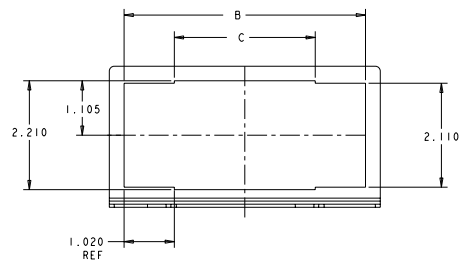
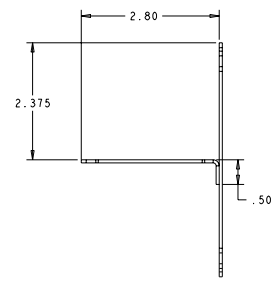
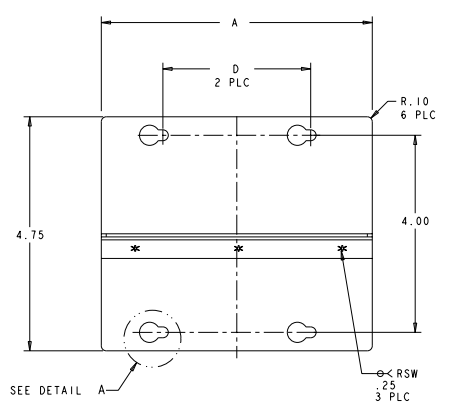
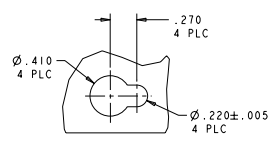
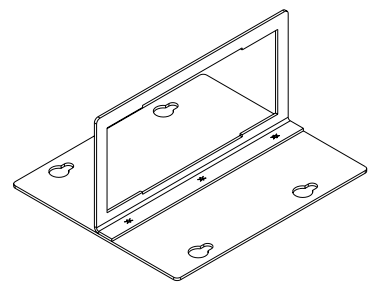


REVISED		REVISIONS	
NO.	DATE	DESCRIPTION	BY
A	NS008-050		JB SJ
B	REV: ECD-08-03/85		GG SJ



△ DIMENSIONS ARE NOMINAL UNLESS OTHERWISE SPECIFIED.
 △ MATERIAL: PREGALVANIZED CARBON STEEL.
 △ APPLICATION: USE BRACKET WITH AMPINERGY SNAP-IN STYLE JUNCTION BOX (NOT INCLUDED) TO PROVIDE SURFACE MOUNTING FOR UP TO 2 DUPLEX RECEPTACLES (NOT INCLUDED). THE BRACKET CAN BE MOUNTED WITH CUSTOMER-SUPPLIED FASTENERS USING THE KEYHOLE PATTERN.



6.00	7.85	9.88	10.70	1933781-2
3.00	2.85	4.88	5.70	1933781-1
DIM D	DIM C	DIM B	DIM A	PART NO.

DATE: 08/08/85	BY: TSC ELECTRONICS COMPANY	DESIGNED BY: JONES	DATE: 08/08/85	BY: TSC ELECTRONICS COMPANY
UNIT: INCHES	SCALE: AS SHOWN	PROJECT: BRACKET, KEYHOLE MOUNT, SNAP-IN	STATE: PA	CITY: HARRISBURG, PA 17105-3600
STANDARD: ASME Y14.5	APPROVED BY: [Signature]	APPROVED BY: [Signature]	STATE: PA	CITY: HARRISBURG, PA 17105-3600
CUSTOMER DRAWING		STATE: PA	CITY: HARRISBURG, PA 17105-3600	SCALE: 1:1