

3/8" ROUND / SINGLE-TURN / CERMET INDUSTRIAL / OPEN FRAME

- Adjustable from front and rear, or top and bottom
- Carbon tip wiper for long life
- Durable metal construction

BOURNS

Model 3359/VA05*
B® Trimming Potentiometer

OBSOLETE

Electrical Characteristics

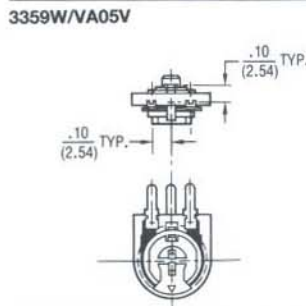
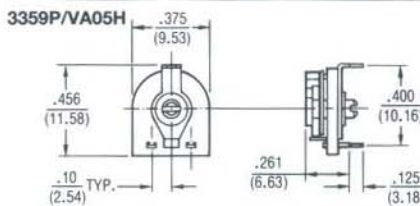
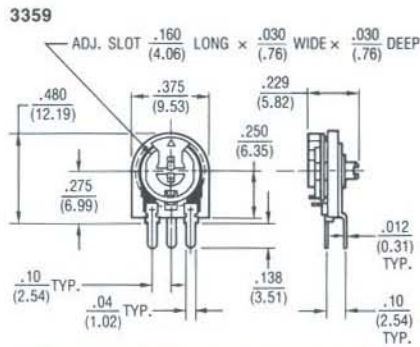
Standard Resistance Range 100 to 2 megohms
(see standard resistance table)
Resistance Tolerance ±20% std.
Absolute Minimum Resistance 1.0% or 2 ohms max.
(whichever is greater)
Contact Resistance Variation 2.0% or 3 ohms max.
(whichever is greater)
Resolution Infinite
Adjustment Angle 250° nom.

Environmental Characteristics

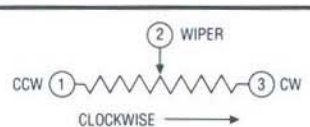
Power Rating (250 volts max.)
70°C 0.5 watt
125°C 0 watt
Temperature Range -65°C to +125°C
Temperature Coefficient
100 ohms to 1K ohms ±300ppm/°C
2K ohms to 2 megohms +150/-50ppm/°C
Humidity MIL-STD-202 Method 103
504 hours (2% ΔTR)
Vibration 30G (2% ΔTR; 2% ΔVR)
Shock 100G (2% ΔTR; 2% ΔVR)
Load Life 1,000 hours 0.5 watt @ 70°C
(2% ΔTR)
Rotational Life 500 cycles
(10% ΔTR)

Physical Characteristics

Mechanical Angle 270° nom.
Torque 6.0 oz-in. max.
1.5 oz-in. min.
Stop Strength 12 oz-in. min.
Terminals Solderable pins
Weight 0.04 oz.
Marking Manufacturer's trademark, resistance code, and model number.
Standard Packaging .. .40 pcs. per tube



TOLERANCES: ± .010 (0.25) EXCEPT WHERE NOTED
DIMENSIONS IN (MM)



STANDARD RESISTANCE TABLE

| Resistance (Ohms) | Resistance Code |
|-------------------|-----------------|
| 100 | 101 |
| 200 | 201 |
| 500 | 501 |
| 1,000 | 102 |
| 2,000 | 202 |
| 5,000 | 502 |
| 10,000 | 103 |
| 20,000 | 203 |
| 50,000 | 503 |
| 100,000 | 104 |
| 200,000 | 204 |
| 500,000 | 504 |
| 1,000,000 | 105 |
| 2,000,000 | 205 |

HOW TO ORDER

3359 P - 1 - 103

Model _____
3359 Standard
VA05 Europe
Style _____
Standard or Modified _____
Product Indicator
-1 = Standard Product
-10 = 10% Resistance Tolerance
Resistance Code _____

Consult factory for other available options.

OBSOLETE

Specifications are subject to change without notice.
**Fluorinert® is a registered trademark of 3M Co.