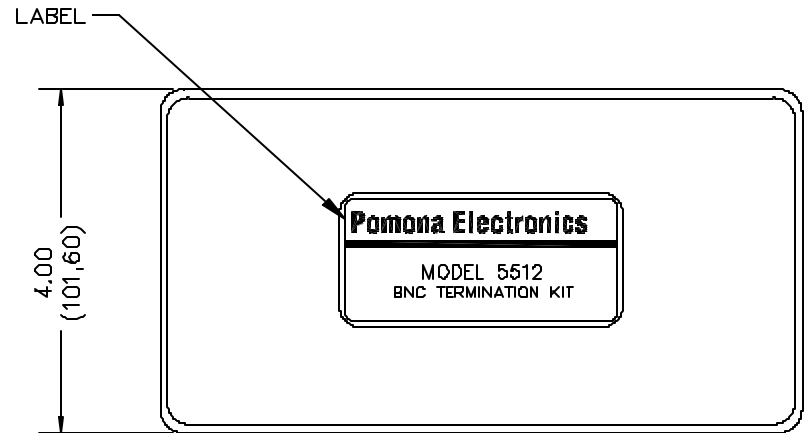
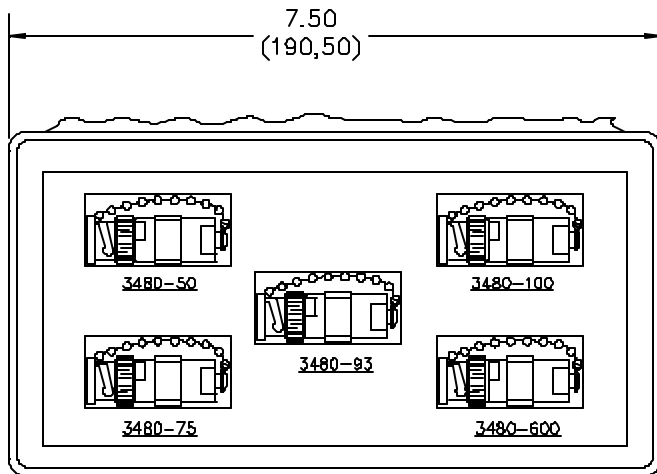


Pomona®

Model 5512 Adapter Kit With BNC (Male) Resistor Terminal



MATERIALS:

Body: Brass, Center Contact: Gold plated brass,
Outer Contact: Tarnish Resistant gold plated Beryllium Copper
Dielectric: Teflon
Gasket/Seals: Silicone rubber
Resistor: Deposited carbon film
Marking: "Pomona 3840-*"
Label: "TERM, *Ω 1/2W"

RATINGS:

Frequency Range: DC to 500 MHz
Resistance Tolerance: $\pm 1\%$
Power: 1/2W @ 70°C Max

ORDERING INFORMATION: Model 5512

Kit contains 1 each Model 3480-50, -75, -93, -100, -600 Ohms
Ordering Example: 5512

All dimensions are in inches. Tolerances (except noted): .xx = ± 0.02 " (.51 mm), .xxx = $\pm .005$ " (.127 mm).
All specifications are to the latest revisions. Specifications are subject to change without notice.
Registered trademarks are the property of their respective companies. Made in USA

6/9/99

SY/EH/LS

C:\Laura Goldberg\FlukeDataSheet\d5512_1_01.doc

Sales: 800-490-2361 Fax: 888-403-3360
Technical Assistance: 800-241-2060

PomonaACCESS 90341 (800) 444-6785 or (425) 446-6010
More drawings available at www.pomonaelectronics.com

Page 1 of 1