



| Parameter | Rating | Units |
|--|--------|-------|
| Breakdown Voltage - BV_{CEO} | 30 | V_P |
| Current Transfer Ratio - CTR (typical) | 8500 | % |
| Saturation Voltage - $V_{CE(sat)}$ | 1 | V |
| Input Control Current - I_F | 1 | mA |

Features

- Unidirectional Input
- Small 8-Pin Package, Thru-Hole or Surface Mount
- 100mA Continuous Load Rating
- 3750V_{rms} Input/Output Isolation
- Machine Insertable, Wave Solderable
- Surface Mount Tape & Reel Packaging Available

Applications

- Telecom Switching
- Tip/Ring Circuits
- Modem Switching (Laptop, Notebook, Pocket Size)
- Loop Detect
- Ringing Detect
- Current Sensing

Description

LDA211 is a dual unidirectional input optocoupler with Darlington transistor outputs. The LDA211 has a minimum current transfer ratio (CTR) of 300% with a typical value of 8500%.

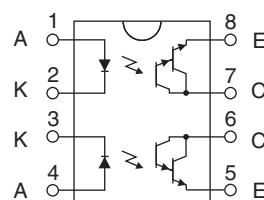
Approvals

- UL Recognized Component: File # E76270
- CSA Certified Component: Certificate # 1175739

Ordering Information

| Part Number | Description |
|-------------|---------------------------------|
| LDA211 | 8-Pin DIP (50/tube) |
| LDA211S | 8-Pin Surface Mount (50/tube) |
| LDA211STR | 8-Pin Surface Mount (1000/Reel) |

Pin Configuration



Absolute Maximum Ratings

| Parameter | Ratings | Units |
|--------------------------------------|-------------|------------------|
| Breakdown Voltage | 30 | V _P |
| Reverse Input Voltage | 5 | V |
| Input Control Current | 100 | mA |
| Peak (10ms) | 1 | A |
| Power Dissipation | | |
| Input Power Dissipation ¹ | 150 | mW |
| Phototransistor ² | 150 | |
| Isolation Voltage, Input to Output | 3750 | V _{rms} |
| Operational Temperature | -40 to +85 | °C |
| Storage Temperature | -40 to +125 | °C |

¹ Derate Linearly 1.33 mW/°C

² Derate Linearly 2.0 mW/°C

Electrical absolute maximum ratings are at 25°C

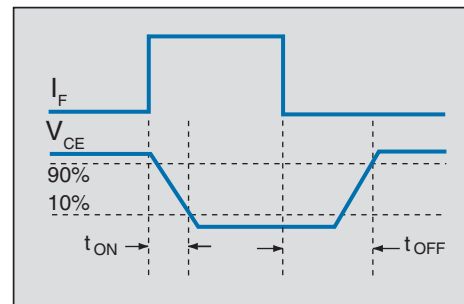
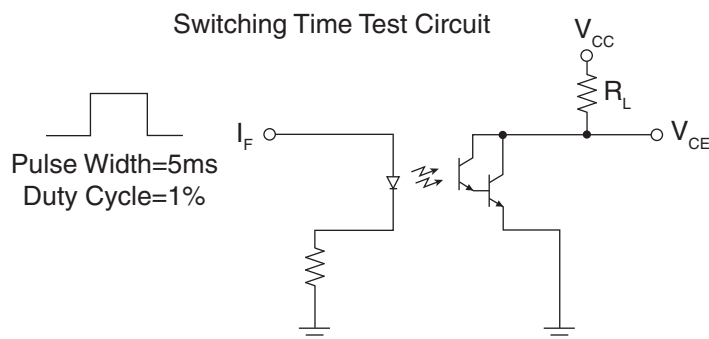
Absolute Maximum Ratings are stress ratings. Stresses in excess of these ratings can cause permanent damage to the device. Functional operation of the device at conditions beyond those indicated in the operational sections of this data sheet is not implied.

Electrical Characteristics

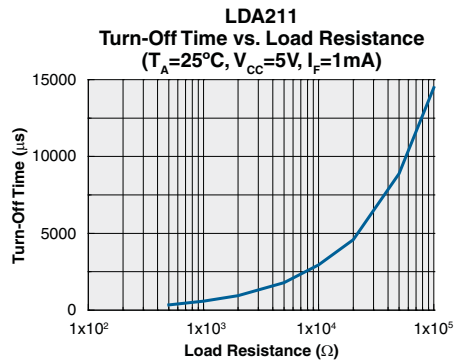
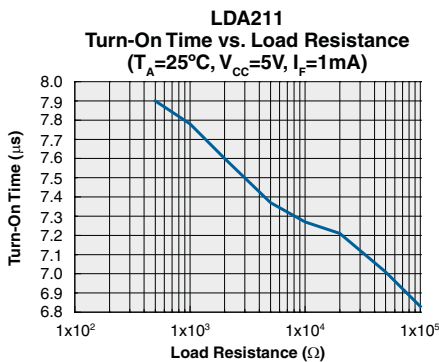
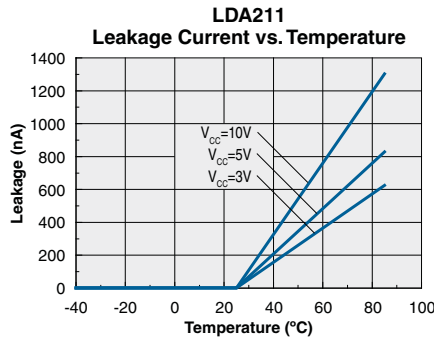
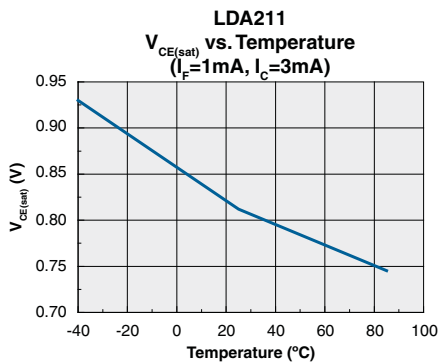
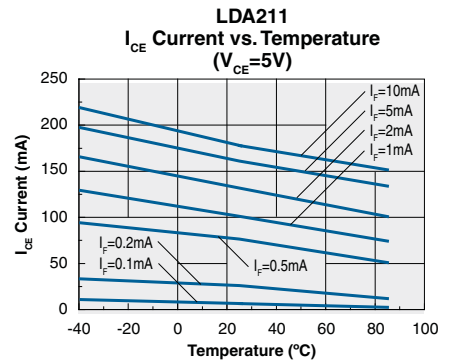
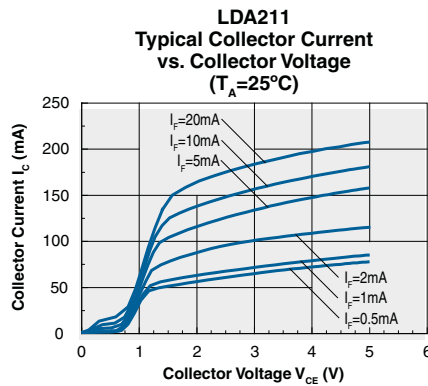
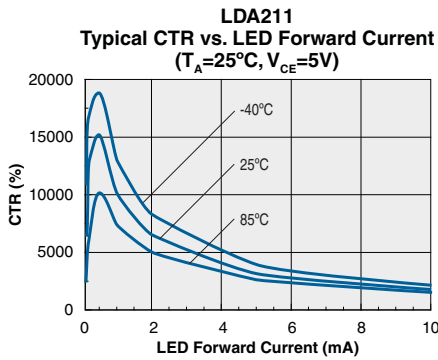
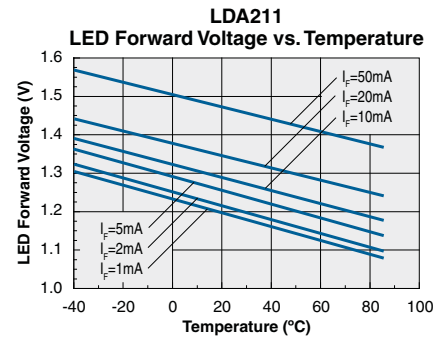
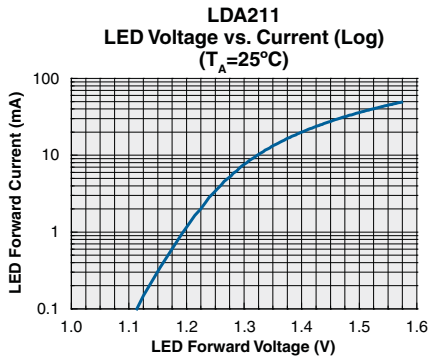
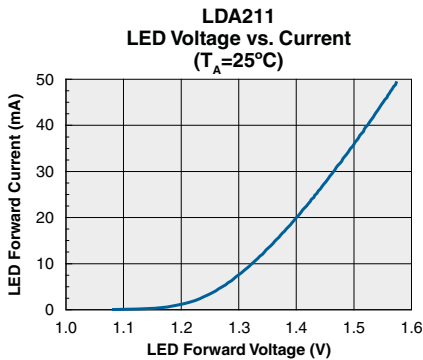
| Parameter | Conditions | Symbol | Min | Typ | Max | Units |
|--------------------------------------|---|----------------------|-----|------|-------|-------|
| Output Characteristics @ 25°C | | | | | | |
| Phototransistor Breakdown Voltage | I _C = 100μA | BV _{CEO} | 30 | 50 | - | V |
| Phototransistor Dark Current | V _{CEO} = 5V, I _F = 0mA | I _{CEO} | - | 50 | 500 | nA |
| Saturation Voltage | I _C = 3mA, I _F = 1mA | V _{CE(sat)} | - | - | 1 | V |
| Current Transfer Ratio | I _F = 1mA, V _{CE} = 2V | CTR | 300 | 8500 | 30000 | % |
| Output Capacitance | 50V, f = 1MHz | C _{OUT} | - | 3 | - | pF |
| Input Characteristics @ 25°C | | | | | | |
| Input Control Current | I _C = 3mA, V _{CE} = 2V | I _F | - | 0.07 | 1 | mA |
| Input Voltage Drop | I _F = 5mA | V _F | 0.9 | 1.2 | 1.4 | V |
| Reverse Input Current | V _R = 5V | I _R | - | - | 10 | μA |
| Common Characteristics @ 25°C | | | | | | |
| Capacitance, Input to Output | - | C _{I/O} | - | 3 | - | pF |

Switching Characteristics @ 25°C

| Characteristic | Symbol | Test Condition | Typ | Units |
|----------------|------------------|--|-----|-------|
| Turn-On Time | t _{ON} | V _{CC} =5V, I _F =1mA, R _L =500Ω | 8 | μs |
| Turn-Off Time | t _{OFF} | | 345 | |



PERFORMANCE DATA*



*The Performance data shown in the graphs above is typical of device performance. For guaranteed parameters not indicated in the written specifications, please contact our application department.

Manufacturing Information

Soldering

For proper assembly, the component must be processed in accordance with the current revision of IPC/JEDEC standard J-STD-020. Failure to follow the recommended guidelines may cause permanent damage to the device resulting in impaired performance and/or a reduced lifetime expectancy.

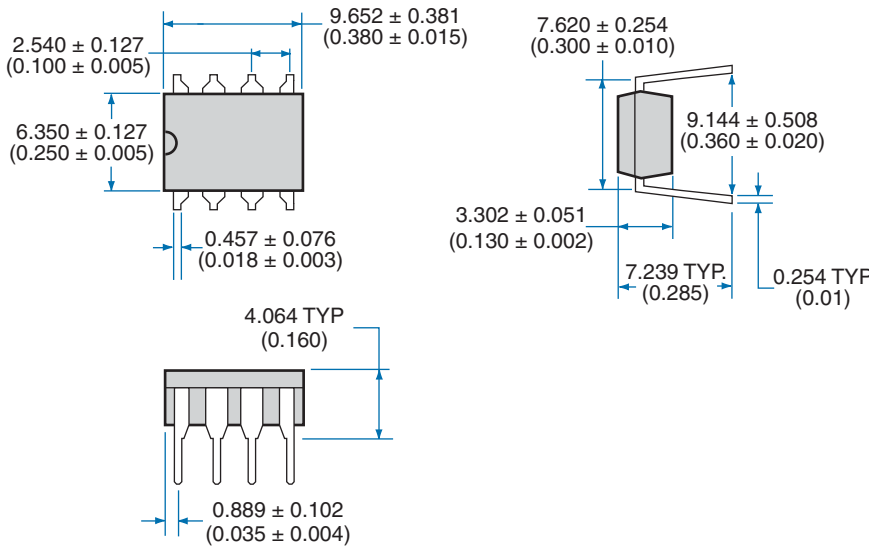
Washing

Clare does not recommend ultrasonic cleaning or the use of chlorinated solvents.

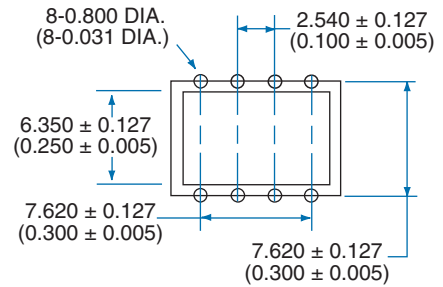


MECHANICAL DIMENSIONS

8-Pin DIP Through-Hole Package

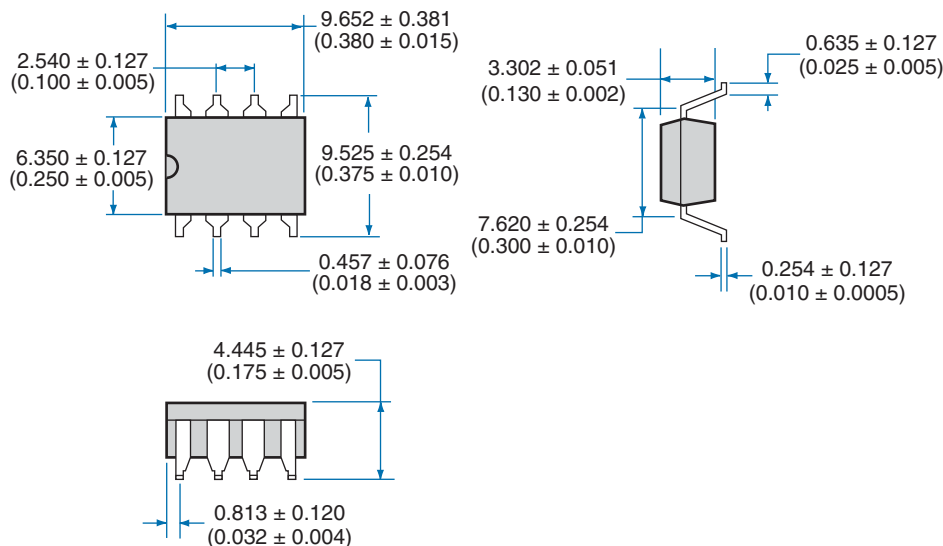


PC Board Pattern

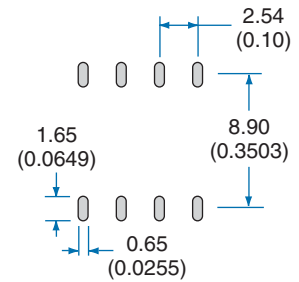


Dimensions
mm
(inches)

8-Pin Surface Mount Package



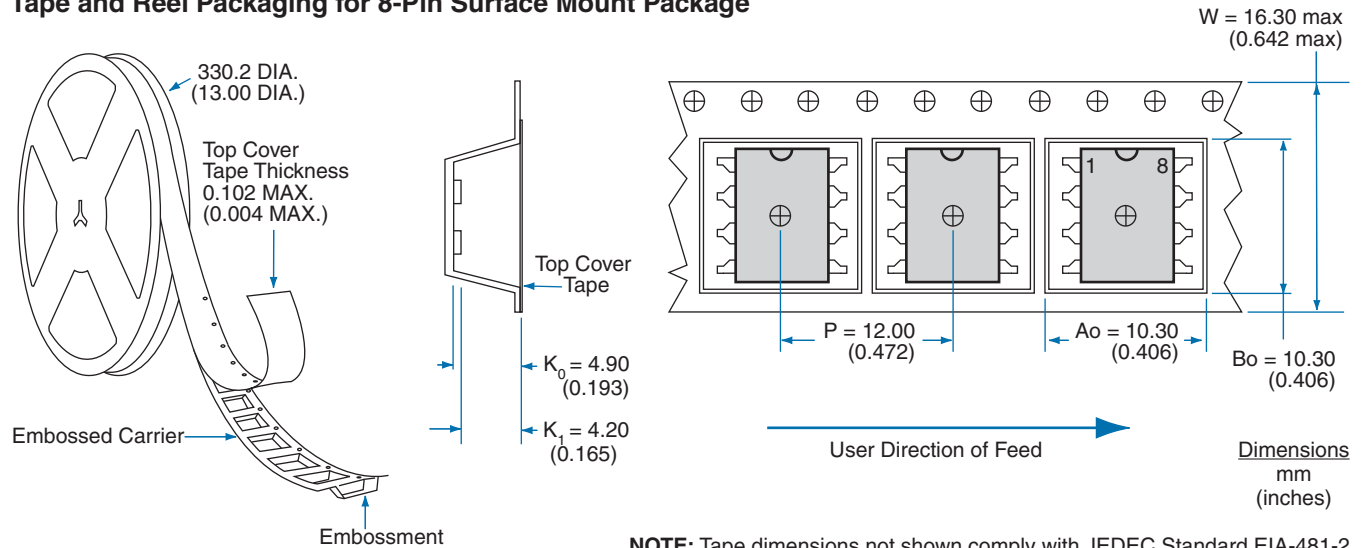
Recommended PCB Land Pattern



Dimensions
mm
(inches)

MECHANICAL DIMENSIONS

Tape and Reel Packaging for 8-Pin Surface Mount Package



NOTE: Tape dimensions not shown comply with JEDEC Standard EIA-481-2

For additional information please visit our website at: www.clare.com

Clare, Inc. makes no representations or warranties with respect to the accuracy or completeness of the contents of this publication and reserves the right to make changes to specifications and product descriptions at any time without notice. Neither circuit patent licenses nor indemnity are expressed or implied. Except as set forth in Clare's Standard Terms and Conditions of Sale, Clare, Inc. assumes no liability whatsoever, and disclaims any express or implied warranty, relating to its products including, but not limited to, the implied warranty of merchantability, fitness for a particular purpose, or infringement of any intellectual property right.

The products described in this document are not designed, intended, authorized or warranted for use as components in systems intended for surgical implant into the body, or in other applications intended to support or sustain life, or where malfunction of Clare's product may result in direct physical harm, injury, or death to a person or severe property or environmental damage. Clare, Inc. reserves the right to discontinue or make changes to its products at any time without notice.