

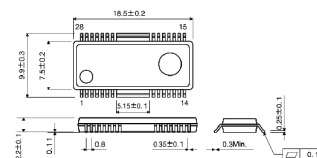
## 3-Phase Motor Driver For CD-ROM/R-RW,DVD-ROM/RAM

# BA6668FM

### ● Description

The BA6668FM is a motor driver developed for CD-R RW spindle motors. This IC has a junction temperature alarm pin, a gain switch and a limit switch pin. A power save, thermal shut down, current limit, rotation detector, and a reverse protection circuit are all included. Gain and Limit can be switched by the control pin.

### ● Dimension (Units:mm)



HSOP-M28

### ● Features

- 1)3-phase, full-wave pseudo linear driving system
- 2)Built-in power save, thermal shut down circuit
- 3)Built-in current limit, Hall Bias circuit
- 4)Built-in FG-output, FG3-phase synthesized output
- 5)Built-in rotation detector
- 6)Built-in reverse protection circuit
- 7)Built-in Limit switch and Gain switch pin
- 8)Built-in Short Brake pin
- 9)Built-in junction temperature alarm pin
- 10)Suitable for 3.3V DSP

### ● Applications

CD-R/RW, DVD-ROM/RAM, CD-ROM

### ● Absolute Maximum Ratings (Ta=25°C)

Parameter	Symbol	Limits	Unit
Supply voltage	V <sub>CC</sub>	7	V
Supply voltage	V <sub>M</sub>	15	V
Power dissipation	P <sub>d</sub>	2200 <sup>1</sup>	mW
Operating temperature range	T <sub>opr</sub>	-20 ~ +75	°C
Storage temperature range	T <sub>stg</sub>	-55 ~ +150 <sup>2</sup>	°C
Maximum output current	I <sub>out</sub>	1500 <sup>2</sup>	mA

<sup>1</sup> Derating : 17.6mW/°C for operation above Ta=25°C.

70mm 70mm 1.6mm glass epoxy board.

<sup>2</sup> Do not, however exceed Pd, ASO and T<sub>j</sub>=150°C

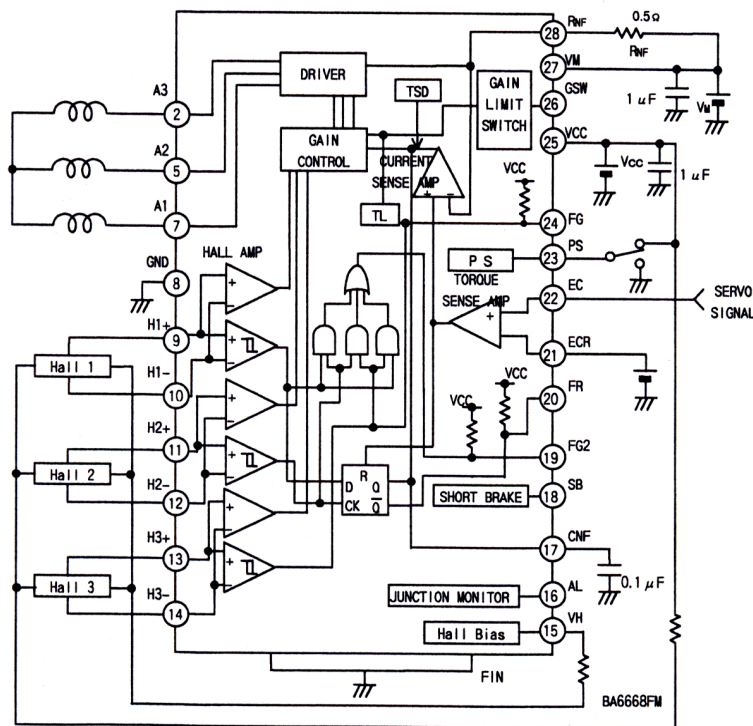
● Recommended Operating Conditions (Ta=25°C)

Parameter	Symbol	Limits	Unit
Operating supply voltage range	V <sub>CC</sub>	4.5 ~ 5.5	V
	V <sub>M</sub>	3.0 ~ 14	V

● Electrical characteristics (Unless otherwise noted, Ta=25°C, V<sub>CC</sub>= 5V, V<sub>M</sub>= 12V)

Parameter	Symbol	Min.	Typ.	Max.	Unit	Conditions
Circuit current 1	I <sub>CC1</sub>	—	0.3	0.6	mA	PS=L, GSW=OPEN
Circuit current 2	I <sub>CC2</sub>	5.2	7.5	9.8	mA	PS=H, GSW=OPEN
Input-output gainL	G <sub>ECL</sub>	0.28	0.35	0.42	A/V	R <sub>NF</sub> =0.5, GSW=L
Input-output gain M	G <sub>ECM</sub>	0.56	0.70	0.84	A/V	R <sub>NF</sub> =0.5, GSW=M
Input-output gain H	G <sub>ECH</sub>	1.12	1.40	1.68	A/V	R <sub>NF</sub> =0.5, GSW=H
Torque limit current1	I <sub>TL1</sub>	300	400	500	mA	R <sub>NF</sub> =0.5z, GSW=L
Torque limit current2	I <sub>TL2</sub>	510	600	690	mA	R <sub>NF</sub> =0.5, GSW=M
Torque limit current3	I <sub>TL3</sub>	1020	1200	1380	mA	R <sub>NF</sub> =0.5, GSW=H
Alarm ON temperature	T <sub>ALON</sub>	120	135	150	°C	
Alarm hysteresis temperature	T <sub>ALH</sub>	10	15	20	°C	

● Application circuit



### Notes

- No technical content pages of this document may be reproduced in any form or transmitted by any means without prior permission of ROHM CO.,LTD.
- The contents described herein are subject to change without notice. The specifications for the product described in this document are for reference only. Upon actual use, therefore, please request that specifications to be separately delivered.
- Application circuit diagrams and circuit constants contained herein are shown as examples of standard use and operation. Please pay careful attention to the peripheral conditions when designing circuits and deciding upon circuit constants in the set.
- Any data, including, but not limited to application circuit diagrams information, described herein are intended only as illustrations of such devices and not as the specifications for such devices. ROHM CO.,LTD. disclaims any warranty that any use of such devices shall be free from infringement of any third party's intellectual property rights or other proprietary rights, and further, assumes no liability of whatsoever nature in the event of any such infringement, or arising from or connected with or related to the use of such devices.
- Upon the sale of any such devices, other than for buyer's right to use such devices itself, resell or otherwise dispose of the same, no express or implied right or license to practice or commercially exploit any intellectual property rights or other proprietary rights owned or controlled by ROHM CO., LTD. is granted to any such buyer.
- Products listed in this document use silicon as a basic material.  
Products listed in this document are no antiradiation design.

The products listed in this document are designed to be used with ordinary electronic equipment or devices (such as audio visual equipment, office-automation equipment, communications devices, electrical appliances and electronic toys).

Should you intend to use these products with equipment or devices which require an extremely high level of reliability and the malfunction of which would directly endanger human life (such as medical instruments, transportation equipment, aerospace machinery, nuclear-reactor controllers, fuel controllers and other safety devices), please be sure to consult with our sales representative in advance.

#### About Export Control Order in Japan

Products described herein are the objects of controlled goods in Annex 1 (Item 16) of Export Trade Control Order in Japan.

In case of export from Japan, please confirm if it applies to "objective" criteria or an "informed" (by MITI clause) on the basis of "catch all controls for Non-Proliferation of Weapons of Mass Destruction.