

# LM2673 SIMPLE SWITCHER® 3A Step-Down Voltage Regulator with Adjustable Current Limit

## General Description

The LM2673 series of regulators are monolithic integrated circuits which provide all of the active functions for a step-down (buck) switching regulator capable of driving up to 3A loads with excellent line and load regulation characteristics. High efficiency (>90%) is obtained through the use of a low ON-resistance DMOS power switch. The series consists of fixed output voltages of 3.3V, 5V and 12V and an adjustable output version.

The SIMPLE SWITCHER concept provides for a complete design using a minimum number of external components. A high fixed frequency oscillator (260KHz) allows the use of physically smaller sized components. A family of standard inductors for use with the LM2673 are available from several manufacturers to greatly simplify the design process.

Other features include the ability to reduce the input surge current at power-ON by adding a softstart timing capacitor to gradually turn on the regulator. The LM2673 series also has built in thermal shutdown and resistor programmable current limit of the power MOSFET switch to protect the device and load circuitry under fault conditions. The output voltage is guaranteed to a ±2% tolerance. The clock frequency is controlled to within a ±11% tolerance.

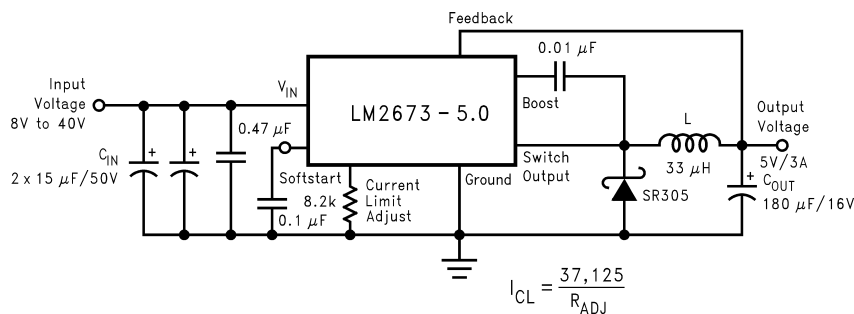
## Features

- Efficiency up to 94%
- Simple and easy to design with (using off-the-shelf external components)
- Resistor programmable peak current limit over a range of 2A to 5A.
- 150 mΩ DMOS output switch
- 3.3V, 5V and 12V fixed output and adjustable (1.2V to 37V ) versions
- ±2% maximum output tolerance over full line and load conditions
- Wide input voltage range: 8V to 40V
- 260 KHz fixed frequency internal oscillator
- Softstart capability
- -40 to +125°C operating junction temperature range

## Applications

- Simple to design, high efficiency (>90%) step-down switching regulators
- Efficient system pre-regulator for linear voltage regulators
- Battery chargers

## Typical Application

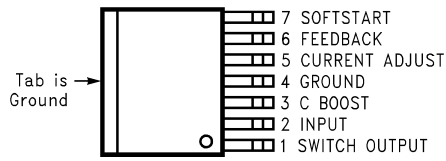


10091303

SIMPLE SWITCHER® is a registered trademark of National Semiconductor Corporation.

## Connection Diagrams and Ordering Information

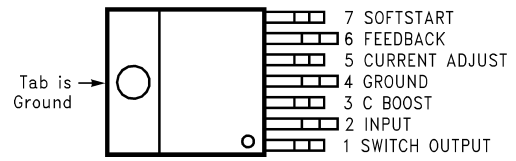
**TO-263 Package  
Top View**



10091301

**Order Number**  
**LM2673S-3.3, LM2673S-5.0,**  
**LM2673S-12 or LM2673S-ADJ**  
**See NSC Package Number TS7B**

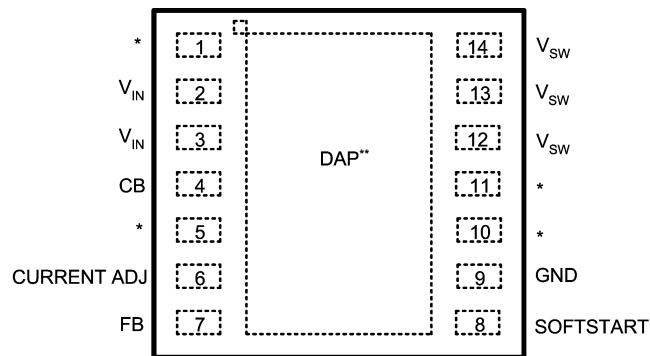
**TO-220 Package  
Top View**



10091302

**Order Number**  
**LM2673T-3.3, LM2673T-5.0,**  
**LM2673T-12 or LM2673T-ADJ**  
**See NSC Package Number TA07B**

**Top View**



\*No Connections

\*\*Connect to Pin 9 on PCB

10091335

**LLP-14**  
**See NS package Number LDC14A**

## Ordering Information for LLP Package

| Output Voltage | Order Information | Package Marking | Supplied As                 |
|----------------|-------------------|-----------------|-----------------------------|
| 12             | LM2673LD-12       | S0000AB         | 250 Units on Tape and Reel  |
| 12             | LM2673LDX-12      | S0000AB         | 2500 Units on Tape and Reel |
| 3.3            | LM2673LD-3.3      | S00008B         | 250 Units on Tape and Reel  |
| 3.3            | LM2673LDX-3.3     | S00008B         | 2500 Units on Tape and Reel |
| 5.0            | LM2673LD-5.0      | S00009B         | 250 Units on Tape and Reel  |
| 5.0            | LM2673LDX-5.0     | S00009B         | 2500 Units on Tape and Reel |
| ADJ            | LM2673LD-ADJ      | S0000BB         | 250 Units on Tape and Reel  |
| ADJ            | LM2673LDX-ADJ     | S0000BB         | 2500 Units on Tape and Reel |

**Absolute Maximum Ratings** (Note 1)

If Military/Aerospace specified devices are required, please contact the National Semiconductor Sales Office/Distributors for availability and specifications.

|                          |                    |
|--------------------------|--------------------|
| Input Supply Voltage     | 45V                |
| Softstart Pin Voltage    | -0.1V to 6V        |
| Switch Voltage to Ground | -1V to $V_{IN}$    |
| Boost Pin Voltage        | $V_{SW} + 8V$      |
| Feedback Pin Voltage     | -0.3V to 14V       |
| Power Dissipation        | Internally Limited |
| ESD (Note 2)             | 2 kV               |

|                           |                |
|---------------------------|----------------|
| Storage Temperature Range | -65°C to 150°C |
| Soldering Temperature     |                |
| Wave                      | 4 sec, 260°C   |
| Infrared                  | 10 sec, 240°C  |
| Vapor Phase               | 75 sec, 219°C  |

**Operating Ratings**

|                                      |                |
|--------------------------------------|----------------|
| Supply Voltage                       | 8V to 40V      |
| Junction Temperature Range ( $T_J$ ) | -40°C to 125°C |

**Electrical Characteristics** Limits appearing in **bold type face** apply over the entire junction temperature range of operation, -40°C to 125°C. Specifications appearing in normal type apply for  $T_A = T_J = 25^\circ\text{C}$ .  $R_{ADJ} = 8.2\text{K}\Omega$

**LM2673-3.3**

| Symbol    | Parameter      | Conditions   | Typical<br>(Note 3) | Min<br>(Note 4)     | Max<br>(Note 4)     | Units |
|-----------|----------------|--|---------------------|---------------------|---------------------|-------|
| $V_{OUT}$ | Output Voltage | $V_{IN} = 8V \text{ to } 40V, 100\text{mA} \leq I_{OUT} \leq 3A$ | 3.3                 | 3.234/ <b>3.201</b> | 3.366/ <b>3.399</b> | V     |
| $\eta$    | Efficiency     | $V_{IN} = 12V, I_{LOAD} = 3A$                                    | 86                  |                     |                     | %     |

**LM2673-5.0**

| Symbol    | Parameter      | Conditions   | Typical<br>(Note 3) | Min<br>(Note 4)     | Max<br>(Note 4)     | Units |
|-----------|----------------|--|---------------------|---------------------|---------------------|-------|
| $V_{OUT}$ | Output Voltage | $V_{IN} = 8V \text{ to } 40V, 100\text{mA} \leq I_{OUT} \leq 3A$ | 5.0                 | 4.900/ <b>4.850</b> | 5.100/ <b>5.150</b> | V     |
| $\eta$    | Efficiency     | $V_{IN} = 12V, I_{LOAD} = 3A$                                    | 88                  |                     |                     | %     |

**LM2673-12**

| Symbol    | Parameter      | Conditions  | Typical<br>(Note 3) | Min<br>(Note 4)     | Max<br>(Note 4)     | Units |
|-----------|----------------|---|---------------------|---------------------|---------------------|-------|
| $V_{OUT}$ | Output Voltage | $V_{IN} = 15V \text{ to } 40V, 100\text{mA} \leq I_{OUT} \leq 3A$ | 12                  | 11.76/ <b>11.64</b> | 12.24/ <b>12.36</b> | V     |
| $\eta$    | Efficiency     | $V_{IN} = 24V, I_{LOAD} = 3A$                                     | 94                  |                     |                     | %     |

**LM2673-ADJ**

| Symbol   | Parameter        | Conditions  | Typ<br>(Note 3) | Min<br>(Note 4)     | Max<br>(Note 4)     | Units |
|----------|------------------|---|-----------------|---------------------|---------------------|-------|
| $V_{FB}$ | Feedback Voltage | $V_{IN} = 8V \text{ to } 40V, 100\text{mA} \leq I_{OUT} \leq 3A$<br>$V_{OUT}$ Programmed for 5V | 1.21            | 1.186/ <b>1.174</b> | 1.234/ <b>1.246</b> | V     |
| $\eta$   | Efficiency       | $V_{IN} = 12V, I_{LOAD} = 3A$   | 88              |                     |                     | %     |

## All Output Voltage Versions Electrical Characteristics

Limits appearing in **bold type face** apply over the entire junction temperature range of operation,  $-40^{\circ}\text{C}$  to  $125^{\circ}\text{C}$ . Specifications appearing in normal type apply for  $T_A = T_J = 25^{\circ}\text{C}$ . Unless otherwise specified,  $R_{\text{ADJ}} = 8.2\text{K}\Omega$ ,  $V_{\text{IN}} = 12\text{V}$  for the 3.3V, 5V and Adjustable versions and  $V_{\text{IN}} = 24\text{V}$  for the 12V version.

| Symbol                   | Parameter                    | Conditions  | Typ      | Min         | Max         | Units                |
|--------------------------|------------------------------|---|----------|-------------|-------------|----------------------|
| <b>DEVICE PARAMETERS</b> |                              |   |          |             |             |                      |
| $I_Q$                    | Quiescent Current            | $V_{\text{FEEDBACK}} = 8\text{V}$<br><br>For 3.3V, 5.0V, and ADJ Versions<br>$V_{\text{FEEDBACK}} = 15\text{V}$<br>For 12V Versions | 4.2      |             | 6           | mA                   |
| $V_{\text{ADJ}}$         | Current Limit Adjust Voltage |   | 1.21     | 1.181/1.169 | 1.229/1.246 | V                    |
| $I_{\text{CL}}$          | Current Limit                | $R_{\text{ADJ}} = 8.2\text{K}\Omega$ , (Note 5)   | 4.5      | 3.8/3.6     | 5.25/5.4    | A                    |
| $I_L$                    | Output Leakage Current       | $V_{\text{IN}} = 40\text{V}$ , Softstart Pin = 0V<br>$V_{\text{SWITCH}} = 0\text{V}$<br>$V_{\text{SWITCH}} = -1\text{V}$            | 1.0<br>6 |             | 1.5<br>15   | mA<br>mA             |
| $R_{\text{DS(ON)}}$      | Switch On-Resistance         | $I_{\text{SWITCH}} = 3\text{A}$   | 0.15     |             | 0.17/0.29   | $\Omega$             |
| $f_O$                    | Oscillator Frequency         | Measured at Switch Pin  | 260      | <b>225</b>  | <b>280</b>  | kHz                  |
| D                        | Duty Cycle                   | Maximum Duty Cycle<br>Minimum Duty Cycle  | 91<br>0  |             |             | %<br>%               |
| $I_{\text{BIAS}}$        | Feedback Bias Current        | $V_{\text{FEEDBACK}} = 1.3\text{V}$<br>ADJ Version Only   | 85       |             |             | nA                   |
| $V_{\text{SFST}}$        | Softstart Threshold Voltage  |   | 0.63     | <b>0.53</b> | <b>0.74</b> | V                    |
| $I_{\text{SFST}}$        | Softstart Pin Current        | Softstart Pin = 0V  | 3.7      |             | <b>6.9</b>  | $\mu\text{A}$        |
| $\theta_{\text{JA}}$     | Thermal Resistance           | T Package, Junction to Ambient (Note 6)   | 65       |             |             | $^{\circ}\text{C/W}$ |
| $\theta_{\text{JA}}$     |                              | T Package, Junction to Ambient (Note 7)   | 45       |             |             |                      |
| $\theta_{\text{JC}}$     |                              | T Package, Junction to Case   | 2        |             |             |                      |
| $\theta_{\text{JA}}$     |                              | S Package, Junction to Ambient (Note 8)   | 56       |             |             |                      |
| $\theta_{\text{JA}}$     |                              | S Package, Junction to Ambient (Note 9)   | 35       |             |             |                      |
| $\theta_{\text{JA}}$     |                              | S Package, Junction to Ambient (Note 10)  | 26       |             |             |                      |
| $\theta_{\text{JC}}$     |                              | S Package, Junction to Case   | 2        |             |             |                      |
| $\theta_{\text{JA}}$     |                              | LD Package, Junction to Ambient (Note 11)   | 55       |             |             |                      |
| $\theta_{\text{JA}}$     |                              | LD Package, Junction to Ambient (Note 12)   | 29       |             |             |                      |

## All Output Voltage Versions Electrical Characteristics (Continued)

**Note 1:** Absolute Maximum Ratings are limits beyond which damage to the device may occur. Operating Ratings indicate conditions under which of the device is guaranteed. Operating Ratings do not imply guaranteed performance limits. For guaranteed performance limits and associated test condition, see the electrical Characteristics tables.

**Note 2:** ESD was applied using the human-body model, a 100pF capacitor discharged through a 1.5 k $\Omega$  resistor into each pin.

**Note 3:** Typical values are determined with  $T_A = T_J = 25^\circ\text{C}$  and represent the most likely norm.

**Note 4:** All limits are guaranteed at room temperature (standard type face) and at **temperature extremes (bold type face)**. All room temperature limits are 100% tested during production with  $T_A = T_J = 25^\circ\text{C}$ . All limits at temperature extremes are guaranteed via correlation using standard standard Quality Control (SQC) methods. All limits are used to calculate Average Outgoing Quality Level (AOQL).

**Note 5:** The peak switch current limit is determined by the following relationship:  $I_{CL} = 37,125 / R_{ADJ}$ .

**Note 6:** Junction to ambient thermal resistance (no external heat sink) for the 7 lead TO-220 package mounted vertically, with  $\frac{1}{2}$  inch leads in a socket, or on a PC board with minimum copper area.

**Note 7:** Junction to ambient thermal resistance (no external heat sink) for the 7 lead TO-220 package mounted vertically, with  $\frac{1}{2}$  inch leads soldered to a PC board containing approximately 4 square inches of (1 oz.) copper area surrounding the leads.

**Note 8:** Junction to ambient thermal resistance for the 7 lead TO-263 mounted horizontally against a PC board area of 0.136 square inches (the same size as the TO-263 package) of 1 oz. (0.0014 in. thick) copper.

**Note 9:** Junction to ambient thermal resistance for the 7 lead TO-263 mounted horizontally against a PC board area of 0.4896 square inches (3.6 times the area of the TO-263 package) of 1 oz. (0.0014 in. thick) copper.

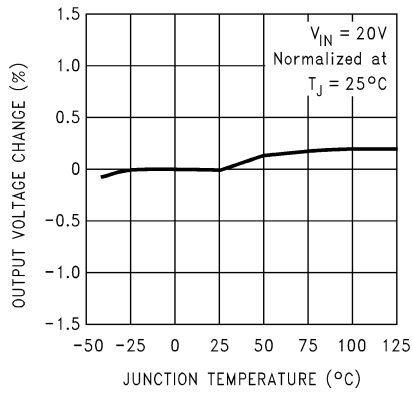
**Note 10:** Junction to ambient thermal resistance for the 7 lead TO-263 mounted horizontally against a PC board copper area of 1.0064 square inches (7.4 times the area of the TO-263 package) of 1 oz. (0.0014 in. thick) copper. Additional copper area will reduce thermal resistance further. See the thermal model in Switchers Made Simple<sup>®</sup> software.

**Note 11:** Junction to ambient thermal resistance for the 14-lead LLP mounted on a PC board copper area equal to the die attach paddle.

**Note 12:** Junction to ambient thermal resistance for the 14-lead LLP mounted on a PC board copper area using 12 vias to a second layer of copper equal to die attach paddle. Additional copper area will reduce thermal resistance further. For layout recommendations, refer to Application Note AN-1187.

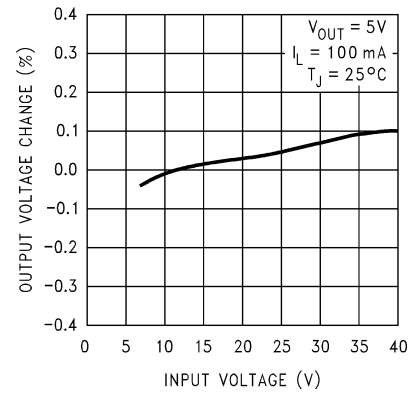
# Typical Performance Characteristics

**Normalized Output Voltage**



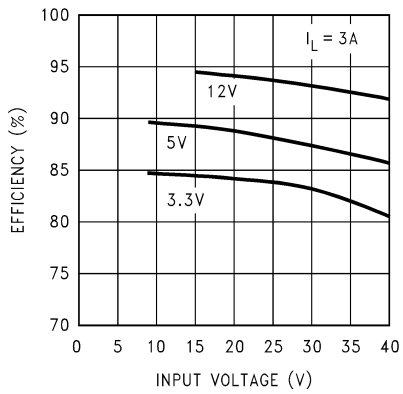
10091304

**Line Regulation**



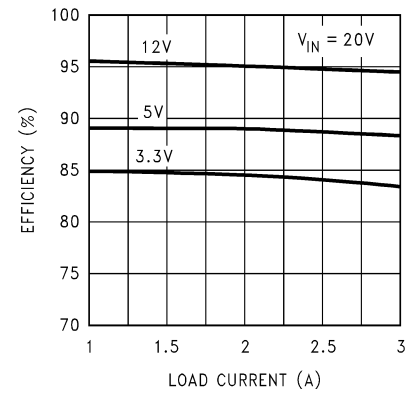
10091305

**Efficiency vs Input Voltage**



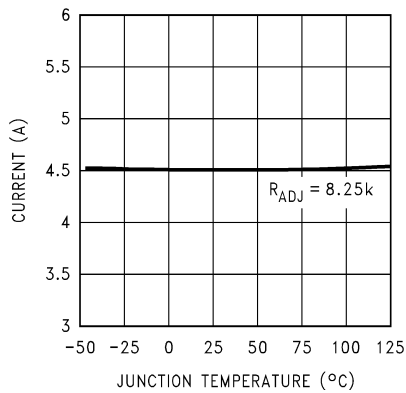
10091306

**Efficiency vs I<sub>LOAD</sub>**



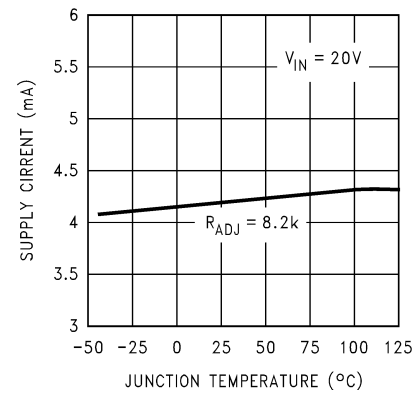
10091307

**Switch Current Limit**



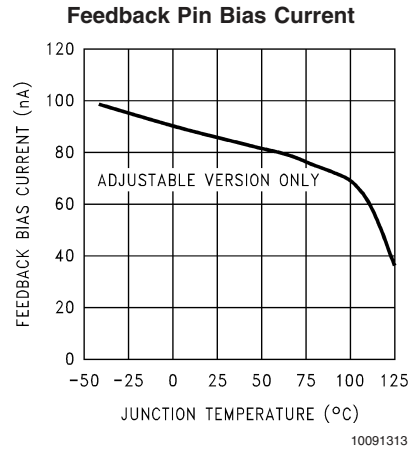
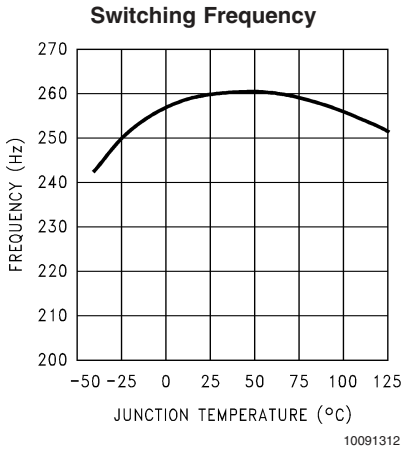
10091308

**Operating Quiescent Current**

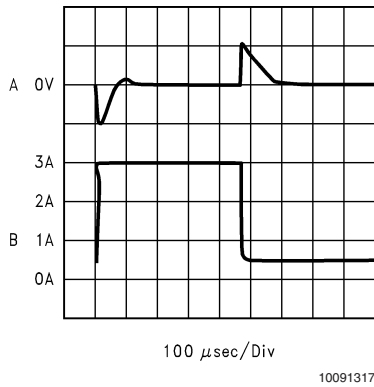


10091309

# Typical Performance Characteristics (Continued)



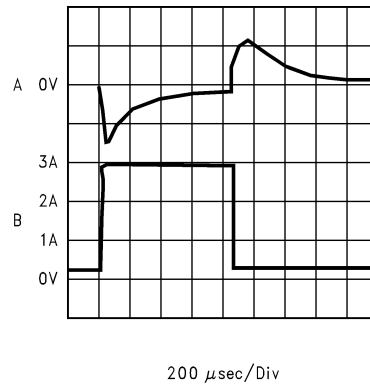
**Load Transient Response for Continuous Mode**  
 $V_{IN} = 20V, V_{OUT} = 5V$   
 $L = 33 \mu H, C_{OUT} = 200 \mu F, C_{OUT}ESR = 26 m\Omega$



A: Output Voltage, 100 mV/div, AC-Coupled.  
 B: Load Current: 500 mA to 3A Load Pulse

**Horizontal Time Base: 100 μs/div**

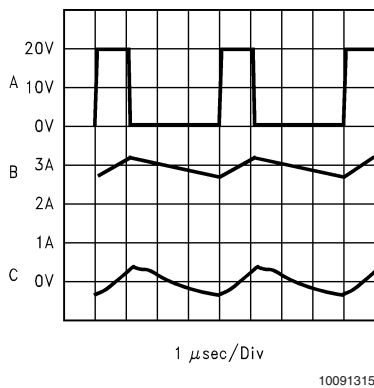
**Load Transient Response for Discontinuous Mode**  
 $V_{IN} = 20V, V_{OUT} = 5V,$   
 $L = 10 \mu H, C_{OUT} = 400 \mu F, C_{OUT}ESR = 13 m\Omega$



A: Output Voltage, 100 mV/div, AC-Coupled.  
 B: Load Current: 200 mA to 3A Load Pulse

**Horizontal Time Base: 200 μs/div**

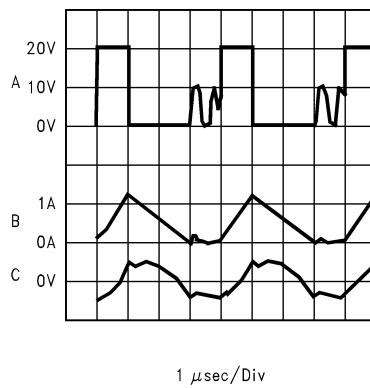
**Continuous Mode Switching Waveforms**  
 $V_{IN} = 20V, V_{OUT} = 5V, I_{LOAD} = 3A$   
 $L = 33 \mu H, C_{OUT} = 200 \mu F, C_{OUT}ESR = 26 m\Omega$



A:  $V_{SW}$  Pin Voltage, 10 V/div.  
 B: Inductor Current, 1 A/div  
 C: Output Ripple Voltage, 20 mV/div AC-Coupled

**Horizontal Time Base: 1 μs/div**

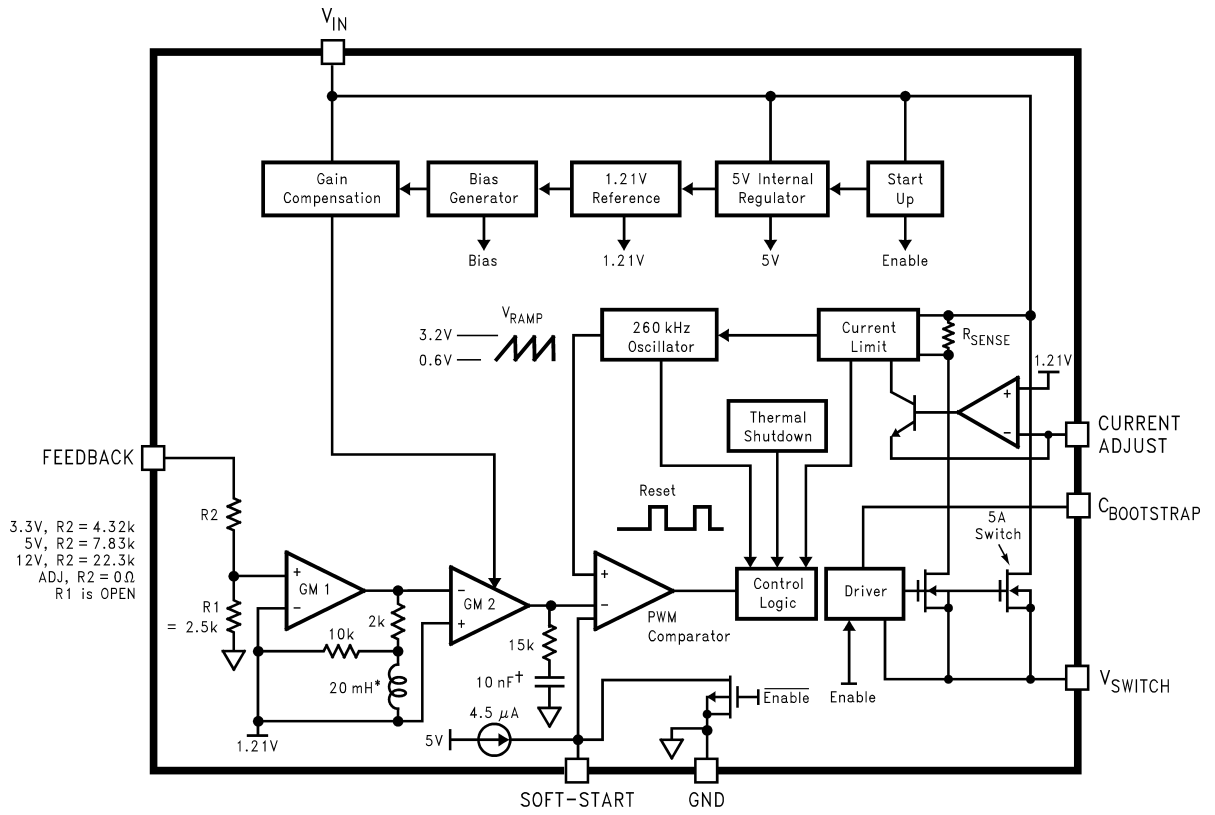
**Discontinuous Mode Switching Waveforms**  
 $V_{IN} = 20V, V_{OUT} = 5V, I_{LOAD} = 500 mA$   
 $L = 10 \mu H, C_{OUT} = 400 \mu F, C_{OUT}ESR = 13 m\Omega$



A:  $V_{SW}$  Pin Voltage, 10 V/div.  
 B: Inductor Current, 1 A/div  
 C: Output Ripple Voltage, 20 mV/div AC-Coupled

**Horizontal Time Base: 1 μs/div**

# Block Diagram



\* Active Inductor Patent Number 5,514,947  
 † Active Capacitor Patent Number 5,382,918

10091314



## Application Hints

The LM2673 provides all of the active functions required for a step-down (buck) switching regulator. The internal power switch is a DMOS power MOSFET to provide power supply designs with high current capability, up to 3A, and highly efficient operation.

The LM2673 is part of the SIMPLE SWITCHER family of power converters. A complete design uses a minimum number of external components, which have been predetermined from a variety of manufacturers. Using either this data sheet or a design software program called **LM267X Made Simple** (version 2.0) a complete switching power supply can be designed quickly. The software is provided free of charge and can be downloaded from National Semiconductor's Internet site located at <http://www.national.com>.

### SWITCH OUTPUT

This is the output of a power MOSFET switch connected directly to the input voltage. The switch provides energy to an inductor, an output capacitor and the load circuitry under control of an internal pulse-width-modulator (PWM). The PWM controller is internally clocked by a fixed 260KHz oscillator. In a standard step-down application the duty cycle (Time ON/Time OFF) of the power switch is proportional to the ratio of the power supply output voltage to the input voltage. The voltage on pin 1 switches between  $V_{in}$  (switch ON) and below ground by the voltage drop of the external Schottky diode (switch OFF).

### INPUT

The input voltage for the power supply is connected to pin 2. In addition to providing energy to the load the input voltage also provides bias for the internal circuitry of the LM2673. For guaranteed performance the input voltage must be in the range of 8V to 40V. For best performance of the power supply the input pin should always be bypassed with an input capacitor located close to pin 2.

### C BOOST

A capacitor must be connected from pin 3 to the switch output, pin 1. This capacitor boosts the gate drive to the internal MOSFET above  $V_{in}$  to fully turn it ON. This minimizes conduction losses in the power switch to maintain high efficiency. The recommended value for C Boost is 0.01 $\mu$ F.

### GROUND

This is the ground reference connection for all components in the power supply. In fast-switching, high-current applications such as those implemented with the LM2673, it is recommended that a broad ground plane be used to minimize signal coupling throughout the circuit

### CURRENT ADJUST

A key feature of the LM2673 is the ability to tailor the peak switch current limit to a level required by a particular application. This alleviates the need to use external components that must be physically sized to accommodate current levels (under shorted output conditions for example) that may be much higher than the normal circuit operating current requirements.

A resistor connected from pin 5 to ground establishes a current ( $I_{(pin\ 5)} = 1.2V / R_{ADJ}$ ) that sets the peak current through the power switch. The maximum switch current is fixed at a level of 37,125 /  $R_{ADJ}$ .

### FEEDBACK

This is the input to a two-stage high gain amplifier, which drives the PWM controller. It is necessary to connect pin 6 to the actual output of the power supply to set the dc output voltage. For the fixed output devices (3.3V, 5V and 12V outputs), a direct wire connection to the output is all that is required as internal gain setting resistors are provided inside the LM2673. For the adjustable output version two external resistors are required to set the dc output voltage. For stable operation of the power supply it is important to prevent coupling of any inductor flux to the feedback input.

### SOFTSTART

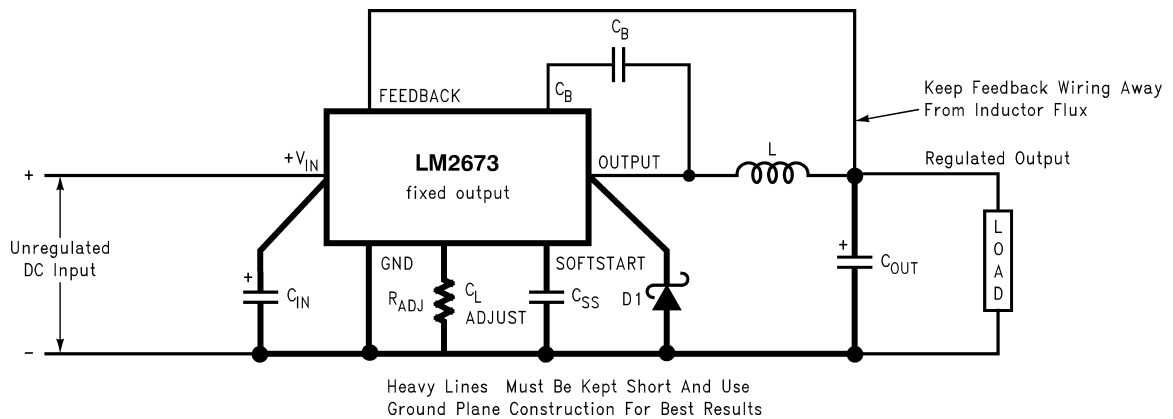
A capacitor connected from pin 7 to ground allows for a slow turn-on of the switching regulator. The capacitor sets a time delay to gradually increase the duty cycle of the internal power switch. This can significantly reduce the amount of surge current required from the input supply during an abrupt application of the input voltage. If softstart is not required this pin should be left open circuited.

### DAP (LLP PACKAGE)

The Die Attach Pad (DAP) can and should be connected to PCB Ground plane/island. For CAD and assembly guidelines refer to Application Note AN-1187 at <http://power.national.com>.

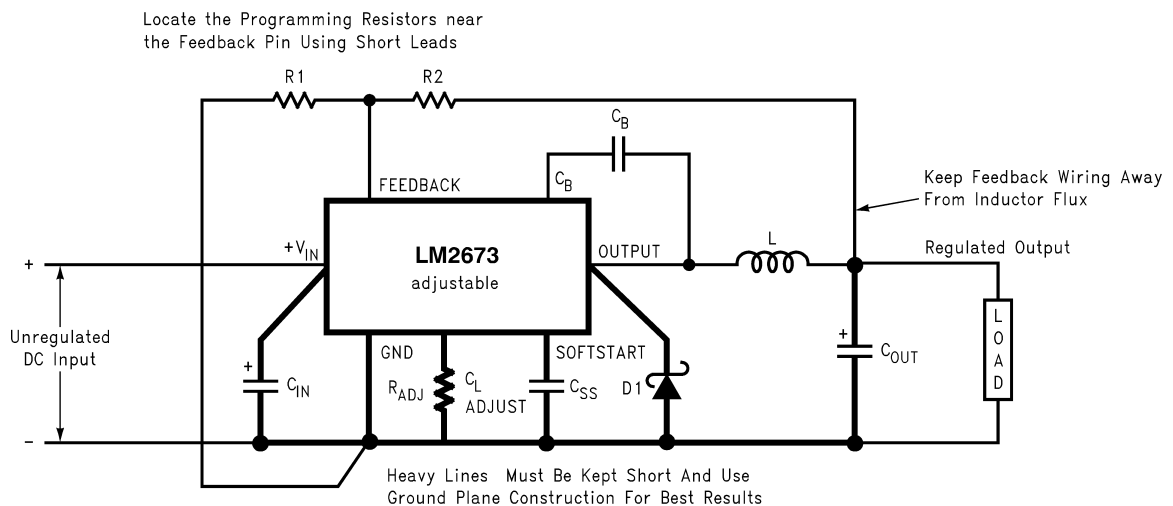
## Application Hints (Continued)

### DESIGN CONSIDERATIONS



10091323

FIGURE 1. Basic circuit for fixed output voltage applications.



10091324

FIGURE 2. Basic circuit for adjustable output voltage applications

Power supply design using the LM2673 is greatly simplified by using recommended external components. A wide range of inductors, capacitors and Schottky diodes from several manufacturers have been evaluated for use in designs that cover the full range of capabilities (input voltage, output voltage and load current) of the LM2673. A simple design procedure using nomographs and component tables provided in this data sheet leads to a working design with very little effort. Alternatively, the design software, **LM267X Made Simple** (version 6.0), can also be used to provide instant component selection, circuit performance calculations for evaluation, a bill of materials component list and a circuit schematic.

The individual components from the various manufacturers called out for use are still just a small sample of the vast array of components available in the industry. While these components are recommended, they are not exclusively the only components for use in a design. After a close compari-

son of component specifications, equivalent devices from other manufacturers could be substituted for use in an application.

Important considerations for each external component and an explanation of how the nomographs and selection tables were developed follows.

#### INDUCTOR

The inductor is the key component in a switching regulator. For efficiency the inductor stores energy during the switch ON time and then transfers energy to the load while the switch is OFF.

Nomographs are used to select the inductance value required for a given set of operating conditions. The nomographs assume that the circuit is operating in continuous mode (the current flowing through the inductor never falls to zero). The magnitude of inductance is selected to maintain a

## Application Hints (Continued)

maximum ripple current of 30% of the maximum load current. If the ripple current exceeds this 30% limit the next larger value is selected.

The inductors offered have been specifically manufactured to provide proper operation under all operating conditions of input and output voltage and load current. Several part types are offered for a given amount of inductance. Both surface mount and through-hole devices are available. The inductors from each of the three manufacturers have unique characteristics.

**Renco:** ferrite stick core inductors; benefits are typically lowest cost and can withstand ripple and transient peak currents above the rated value. These inductors have an external magnetic field, which may generate EMI.

**Pulse Engineering:** powdered iron toroid core inductors; these also can withstand higher than rated currents and, being toroid inductors, will have low EMI.

**Coilcraft:** ferrite drum core inductors; these are the smallest physical size inductors and are available only as surface mount components. These inductors also generate EMI but less than stick inductors.

### OUTPUT CAPACITOR

The output capacitor acts to smooth the dc output voltage and also provides energy storage. Selection of an output capacitor, with an associated equivalent series resistance (ESR), impacts both the amount of output ripple voltage and stability of the control loop.

The output ripple voltage of the power supply is the product of the capacitor ESR and the inductor ripple current. The capacitor types recommended in the tables were selected for having low ESR ratings.

In addition, both surface mount tantalum capacitors and through-hole aluminum electrolytic capacitors are offered as solutions.

Impacting frequency stability of the overall control loop, the output capacitance, in conjunction with the inductor, creates a double pole inside the feedback loop. In addition the capacitance and the ESR value create a zero. These frequency response effects together with the internal frequency compensation circuitry of the LM2673 modify the gain and phase shift of the closed loop system.

As a general rule for stable switching regulator circuits it is desired to have the unity gain bandwidth of the circuit to be limited to no more than one-sixth of the controller switching frequency. With the fixed 260KHz switching frequency of the LM2673, the output capacitor is selected to provide a unity gain bandwidth of 40KHz maximum. Each recommended capacitor value has been chosen to achieve this result.

In some cases multiple capacitors are required either to reduce the ESR of the output capacitor, to minimize output ripple (a ripple voltage of 1% of  $V_{out}$  or less is the assumed performance condition), or to increase the output capacitance to reduce the closed loop unity gain bandwidth (to less than 40KHz). When parallel combinations of capacitors are required it has been assumed that each capacitor is the exact same part type.

The RMS current and working voltage (WV) ratings of the output capacitor are also important considerations. In a typical step-down switching regulator, the inductor ripple current (set to be no more than 30% of the maximum load current by the inductor selection) is the current that flows through the output capacitor. The capacitor RMS current rating must be

greater than this ripple current. The voltage rating of the output capacitor should be greater than 1.3 times the maximum output voltage of the power supply. If operation of the system at elevated temperatures is required, the capacitor voltage rating may be de-rated to less than the nominal room temperature rating. Careful inspection of the manufacturer's specification for de-rating of working voltage with temperature is important.

### INPUT CAPACITOR

Fast changing currents in high current switching regulators place a significant dynamic load on the unregulated power source. An input capacitor helps to provide additional current to the power supply as well as smooth out input voltage variations.

Like the output capacitor, the key specifications for the input capacitor are RMS current rating and working voltage. The RMS current flowing through the input capacitor is equal to one-half of the maximum dc load current so the capacitor should be rated to handle this. Paralleling multiple capacitors proportionally increases the current rating of the total capacitance. The voltage rating should also be selected to be 1.3 times the maximum input voltage. Depending on the unregulated input power source, under light load conditions the maximum input voltage could be significantly higher than normal operation and should be considered when selecting an input capacitor.

The input capacitor should be placed very close to the input pin of the LM2673. Due to relative high current operation with fast transient changes, the series inductance of input connecting wires or PCB traces can create ringing signals at the input terminal which could possibly propagate to the output or other parts of the circuitry. It may be necessary in some designs to add a small valued (0.1 $\mu$ F to 0.47 $\mu$ F) ceramic type capacitor in parallel with the input capacitor to prevent or minimize any ringing.

### CATCH DIODE

When the power switch in the LM2673 turns OFF, the current through the inductor continues to flow. The path for this current is through the diode connected between the switch output and ground. This forward biased diode clamps the switch output to a voltage less than ground. This negative voltage must be greater than  $-1V$  so a low voltage drop (particularly at high current levels) Schottky diode is recommended. Total efficiency of the entire power supply is significantly impacted by the power lost in the output catch diode. The average current through the catch diode is dependent on the switch duty cycle (D) and is equal to the load current times (1-D). Use of a diode rated for much higher current than is required by the actual application helps to minimize the voltage drop and power loss in the diode.

During the switch ON time the diode will be reversed biased by the input voltage. The reverse voltage rating of the diode should be at least 1.3 times greater than the maximum input voltage.

### BOOST CAPACITOR

The boost capacitor creates a voltage used to overdrive the gate of the internal power MOSFET. This improves efficiency by minimizing the on resistance of the switch and associated power loss. For all applications it is recommended to use a 0.01 $\mu$ F/50V ceramic capacitor.

### R<sub>ADJ</sub>, ADJUSTABLE CURRENT LIMIT

A key feature of the LM2673 is the ability to control the peak switch current. Without this feature the peak switch current would be internally set to 5A or higher to accommodate 3A load current designs. This requires that both the inductor

## Application Hints (Continued)

(which could saturate with excessively high currents) and the catch diode be able to safely handle up to 5A which would be conducted under load fault conditions.

If an application only requires a load current of 2A or so the peak switch current can be set to a limit just over the maximum load current with the addition of a single programming resistor. This allows the use of less powerful and more cost effective inductors and diodes.

The peak switch current is equal to a factor of 37,125 divided by  $R_{ADJ}$ . A resistance of 8.2K $\Omega$  sets the current limit to typically 4.5A. For predictable control of the current limit it is recommended to keep the peak switch current greater than 1A. For lower current applications 500mA and 1A switching regulators, the LM2674 and LM2672, are available.

When the power switch reaches the current limit threshold it is immediately turned OFF and the internal switching frequency is reduced. This extends the OFF time of the switch to prevent a steady state high current condition. As the switch current falls below the current limit threshold, the switch will turn back ON. If a load fault continues, the switch will again exceed the threshold and switch back OFF. This will result in a low duty cycle pulsing of the power switch to minimize the overall fault condition power dissipation.

### CSS SOFTSTART CAPACITOR

This optional capacitor controls the rate at which the LM2673 starts up at power on. The capacitor is charged linearly by an internal current source. This voltage ramp gradually increases the duty cycle of the power switch until it reaches the normal operating duty cycle defined primarily by the ratio of the output voltage to the input voltage. The softstart turn-on time is programmable by the selection of  $C_{SS}$ .

The formula for selecting a softstart capacitor is:

$$C_{SS} \cong (I_{SST} \cdot t_{SS}) / [V_{SST} + 2.6V \cdot (\frac{V_{OUT} + V_{SCHOTTKY}}{V_{IN}})]$$

Where:

$I_{SST}$  = Softstart Current, 3.7 $\mu$ A typical

$t_{SS}$  = Softstart time, from design requirements

$V_{SST}$  = Softstart Threshold Voltage, 0.63V typical

$V_{OUT}$  = Output Voltage, from design requirements

$V_{SCHOTTKY}$  = Schottky Diode Voltage Drop, typically 0.5V

$V_{IN}$  = Maximum Input Voltage, from design requirements

If this feature is not desired, leave the Softstart pin (pin 7) open circuited

### SIMPLE DESIGN PROCEDURE

Using the nomographs and tables in this data sheet (or use the available design software at <http://www.national.com>) a complete step-down regulator can be designed in a few simple steps.

**Step 1:** Define the power supply operating conditions:

Required output voltage

Maximum DC input voltage

Maximum output load current

**Step 2:** Set the output voltage by selecting a fixed output LM2673 (3.3V, 5V or 12V applications) or determine the required feedback resistors for use with the adjustable LM2673-ADJ

**Step 3:** Determine the inductor required by using one of the four nomographs, *Figure 3* through *Figure 6*. Table 1 provides a specific manufacturer and part number for the inductor.

**Step 4:** Using Table 3 (fixed output voltage) or Table 6 (adjustable output voltage), determine the output capacitance required for stable operation. Table 2 provides the specific capacitor type from the manufacturer of choice.

**Step 5:** Determine an input capacitor from Table 4 for fixed output voltage applications. Use Table 2 to find the specific capacitor type. For adjustable output circuits select a capacitor from Table 2 with a sufficient working voltage (WV) rating greater than  $V_{in\ max}$ , and an rms current rating greater than one-half the maximum load current (2 or more capacitors in parallel may be required).

**Step 6:** Select a diode from Table 5. The current rating of the diode must be greater than  $I_{load\ max}$  and the Reverse Voltage rating must be greater than  $V_{in\ max}$ .

**Step 7:** Include a 0.01 $\mu$ F/50V capacitor for  $C_{boost}$  in the design and then determine the value of a softstart capacitor if desired.

**Step 8:** Define a value for  $R_{ADJ}$  to set the peak switch current limit to be at least 20% greater than  $I_{out\ max}$  to allow for at least 30% inductor ripple current ( $\pm 15\%$  of  $I_{out}$ ). For designs that must operate over the full temperature range the switch current limit should be set to at least 50% greater than  $I_{out\ max}$  ( $1.5 \times I_{out\ max}$ ).

### FIXED OUTPUT VOLTAGE DESIGN EXAMPLE

A system logic power supply bus of 3.3V is to be generated from a wall adapter which provides an unregulated DC voltage of 13V to 16V. The maximum load current is 2.5A. A softstart delay time of 50mS is desired. Through-hole components are preferred.

**Step 1:** Operating conditions are:

$V_{out} = 3.3V$

$V_{in\ max} = 16V$

$I_{load\ max} = 2.5A$

**Step 2:** Select an LM2673T-3.3. The output voltage will have a tolerance of

$\pm 2\%$  at room temperature and  $\pm 3\%$  over the full operating temperature range.

**Step 3:** Use the nomograph for the 3.3V device, *Figure 3*. The intersection of the 16V horizontal line ( $V_{in\ max}$ ) and the 2.5A vertical line ( $I_{load\ max}$ ) indicates that L33, a 22 $\mu$ H inductor, is required.

From Table 1, L33 in a through-hole component is available from Renco with part number RL-1283-22-43 or part number PE-53933 from Pulse Engineering.

**Step 4:** Use Table 3 to determine an output capacitor. With a 3.3V output and a 33 $\mu$ H inductor there are four through-hole output capacitor solutions with the number of same type capacitors to be paralleled and an identifying capacitor code given. Table 2 provides the actual capacitor characteristics. Any of the following choices will work in the circuit:

1 x 220 $\mu$ F/10V Sanyo OS-CON (code C5)

1 x 1000 $\mu$ F/35V Sanyo MV-GX (code C10)

1 x 2200 $\mu$ F/10V Nichicon PL (code C5)

1 x 1000 $\mu$ F/35V Panasonic HFQ (code C7)

**Step 5:** Use Table 4 to select an input capacitor. With 3.3V output and 22 $\mu$ H there are three through-hole solutions. These capacitors provide a sufficient voltage rating and an

## Application Hints (Continued)

rms current rating greater than 1.25A (1/2  $I_{load}$  max). Again using Table 2 for specific component characteristics the following choices are suitable:

1 x 1000 $\mu$ F/63V Sanyo MV-GX (code C14)

1 x 820 $\mu$ F/63V Nichicon PL (code C24)

1 x 560 $\mu$ F/50V Panasonic HFQ (code C13)

**Step 6:** From Table 5 a 3A or more Schottky diode must be selected. The 20V rated diodes are sufficient for the application and for through-hole components two part types are suitable:

1N5820

SR302

**Step 7:** A 0.01 $\mu$ F capacitor will be used for Cboost. For the 50mS softstart delay the following parameters are to be used:

$I_{SST}$ : 3.7 $\mu$ A

$t_{SS}$ : 50mS

$V_{SST}$ : 0.63V

$V_{OUT}$ : 3.3V

$V_{SCHOTTKY}$ : 0.5V

$V_{IN}$ : 16V

Using  $V_{in}$  max ensures that the softstart delay time will be at least the desired 50mS.

Using the formula for  $C_{SS}$  a value of 0.148 $\mu$ F is determined to be required. Use of a standard value 0.22 $\mu$ F capacitor will produce more than sufficient softstart delay.

**Step 8:** Determine a value for  $R_{ADJ}$  to provide a peak switch current limit of at least 2.5A plus 50% or 3.75A.

$$R_{ADJ} = \frac{37,125}{3.75A} = 9.9 \text{ k}\Omega$$

Use a value of 10K $\Omega$ .

### ADJUSTABLE OUTPUT DESIGN EXAMPLE

In this example it is desired to convert the voltage from a two battery automotive power supply (voltage range of 20V to 28V, typical in large truck applications) to the 14.8VDC alternator supply typically used to power electronic equipment from single battery 12V vehicle systems. The load current required is 2A maximum. It is also desired to implement the power supply with all surface mount components. Softstart is not required.

**Step 1:** Operating conditions are:

$V_{out} = 14.8V$

$V_{in} \text{ max} = 28V$

$I_{load} \text{ max} = 2A$

**Step 2:** Select an LM2673S-ADJ. To set the output voltage to 14.9V two resistors need to be chosen ( $R_1$  and  $R_2$  in Figure 2). For the adjustable device the output voltage is set by the following relationship:

$$V_{OUT} = V_{FB} \left( 1 + \frac{R_2}{R_1} \right)$$

Where  $V_{FB}$  is the feedback voltage of typically 1.21V.

A recommended value to use for  $R_1$  is 1K. In this example then  $R_2$  is determined to be:

$$R_2 = R_1 \left( \frac{V_{OUT}}{V_{FB}} - 1 \right) = 1 \text{ k}\Omega \left( \frac{14.8V}{1.21V} - 1 \right)$$

$R_2 = 11.23K\Omega$

The closest standard 1% tolerance value to use is 11.3K $\Omega$

This will set the nominal output voltage to 14.88V which is within 0.5% of the target value.

**Step 3:** To use the nomograph for the adjustable device, Figure 6, requires a calculation of the inductor Volt•microsecond constant ( $E \cdot T$  expressed in  $V \cdot \mu s$ ) from the following formula:

$$E \cdot T = (V_{IN(MAX)} - V_{OUT} - V_{SAT}) \cdot \frac{V_{OUT} + V_D}{V_{IN(MAX)} - V_{SAT} + V_D} \cdot \frac{1000}{260} (V \cdot \mu s)$$

where  $V_{SAT}$  is the voltage drop across the internal power switch which is  $R_{ds(ON)}$  times  $I_{load}$ . In this example this would be typically 0.15 $\Omega$  x 2A or 0.3V and  $V_D$  is the voltage drop across the forward biased Schottky diode, typically 0.5V. The switching frequency of 260KHz is the nominal value to use to estimate the ON time of the switch during which energy is stored in the inductor.

For this example  $E \cdot T$  is found to be:

$$E \cdot T = (28 - 14.8 - 0.3) \cdot \frac{14.8 + 0.5}{28 - 0.3 + 0.5} \cdot \frac{1000}{260} (V \cdot \mu s)$$

$$E \cdot T = (12.9V) \cdot \frac{15.3}{28.2} \cdot 3.85 (V \cdot \mu s) = 26.9 (V \cdot \mu s)$$

Using Figure 6, the intersection of 27V• $\mu$ S horizontally and the 2A vertical line ( $I_{load}$  max) indicates that L38, a 68 $\mu$ H inductor, should be used.

From Table 1, L38 in a surface mount component is available from Pulse Engineering with part number PE-54038S.

**Step 4:** Use Table 6 to determine an output capacitor. With a 14.8V output the 12.5 to 15V row is used and with a 68 $\mu$ H inductor there are three surface mount output capacitor solutions. Table 2 provides the actual capacitor characteristics based on the C Code number. Any of the following choices can be used:

1 x 33 $\mu$ F/20V AVX TPS (code C6)

1 x 47 $\mu$ F/20V Sprague 594 (code C8)

1 x 47 $\mu$ F/20V Kemet T495 (code C8)

**Important Note:** When using the adjustable device in low voltage applications (less than 3V output), if the nomograph, Figure 6, selects an inductance of 22 $\mu$ H or less, Table 6 does not provide an output capacitor solution. With these conditions the number of output capacitors required for stable operation becomes impractical. It is recommended to use either a 33 $\mu$ H or 47 $\mu$ H inductor and the output capacitors from Table 6.

**Step 5:** An input capacitor for this example will require at least a 35V WV rating with an rms current rating of 1A (1/2  $I_{out}$  max). From Table 2 it can be seen that C12, a 33 $\mu$ F/35V capacitor from Sprague, has the required voltage/current rating of the surface mount components.

**Step 6:** From Table 5 a 3A Schottky diode must be selected. For surface mount diodes with a margin of safety on the voltage rating one of five diodes can be used:

SK34

30BQ040

## Application Hints (Continued)

30WQ04F

MBRS340

MBRD340

**Step 7:** A 0.01 $\mu$ F capacitor will be used for Cboost.

The softstart pin will be left open circuited.

**Step 8:** Determine a value for R<sub>ADJ</sub> to provide a peak switch current limit of at least 2A plus 50% or 3A.

$$R_{ADJ} = \frac{37,125}{3A} = 12.375 \text{ k}\Omega$$

Use a value of 12.4K $\Omega$ .

## LLP PACKAGE DEVICES

The LM2673 is offered in the 14 lead LLP surface mount package to allow for a significantly decreased footprint with equivalent power dissipation compared to the TO-263. For details on mounting and soldering specifications, refer to Application Note AN-1187.

# Inductor Selection Guides For Continuous Mode Operation

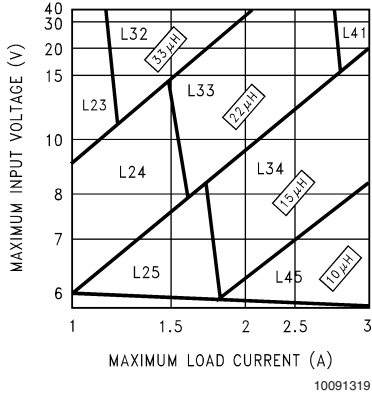


FIGURE 3. LM2673-3.3

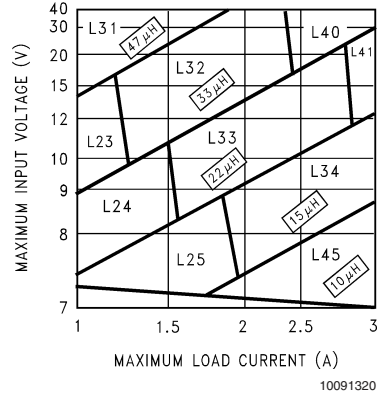


FIGURE 4. LM2673-5.0

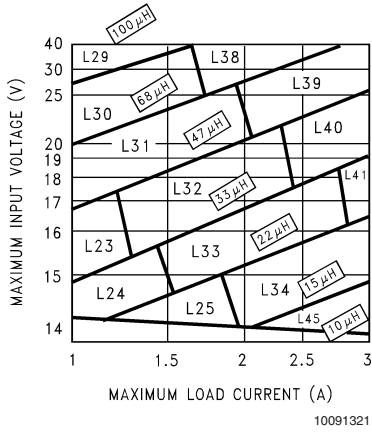


FIGURE 5. LM2673-12

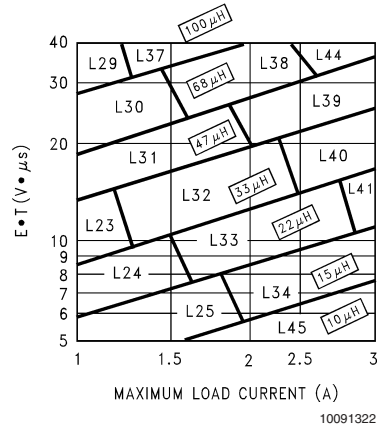


FIGURE 6. LM2673-ADJ

# Inductor Selection Guides For Continuous Mode Operation (Continued)

**Table 1. Inductor Manufacturer Part Numbers**

| Inductor Reference Number | Inductance (μH) | Current (A) | Renco         |               | Pulse Engineering |               | Coilcraft     |
|---------------------------|-----------------|-------------|---------------|---------------|-------------------|---------------|---------------|
|                           |                 |             | Through Hole  | Surface Mount | Through Hole      | Surface Mount | Surface Mount |
| L23                       | 33              | 1.35        | RL-5471-7     | RL1500-33     | PE-53823          | PE-53823S     | DO3316-333    |
| L24                       | 22              | 1.65        | RL-1283-22-43 | RL1500-22     | PE-53824          | PE-53824S     | DO3316-223    |
| L25                       | 15              | 2.00        | RL-1283-15-43 | RL1500-15     | PE-53825          | PE-53825S     | DO3316-153    |
| L29                       | 100             | 1.41        | RL-5471-4     | RL-6050-100   | PE-53829          | PE-53829S     | DO5022P-104   |
| L30                       | 68              | 1.71        | RL-5471-5     | RL6050-68     | PE-53830          | PE-53830S     | DO5022P-683   |
| L31                       | 47              | 2.06        | RL-5471-6     | RL6050-47     | PE-53831          | PE-53831S     | DO5022P-473   |
| L32                       | 33              | 2.46        | RL-5471-7     | RL6050-33     | PE-53932          | PE-53932S     | DO5022P-333   |
| L33                       | 22              | 3.02        | RL-1283-22-43 | RL6050-22     | PE-53933          | PE-53933S     | DO5022P-223   |
| L34                       | 15              | 3.65        | RL-1283-15-43 | —             | PE-53934          | PE-53934S     | DO5022P-153   |
| L38                       | 68              | 2.97        | RL-5472-2     | —             | PE-54038          | PE-54038S     | —             |
| L39                       | 47              | 3.57        | RL-5472-3     | —             | PE-54039          | PE-54039S     | —             |
| L40                       | 33              | 4.26        | RL-1283-33-43 | —             | PE-54040          | PE-54040S     | —             |
| L41                       | 22              | 5.22        | RL-1283-22-43 | —             | PE-54041          | P0841         | —             |
| L44                       | 68              | 3.45        | RL-5473-3     | —             | PE-54044          | —             | —             |
| L45                       | 10              | 4.47        | RL-1283-10-43 | —             | —                 | P0845         | DO5022P-103HC |

**Inductor Manufacturer Contact Numbers**

|                                  |       |                  |
|----------------------------------|-------|------------------|
| <b>Coilcraft</b>                 | Phone | (800) 322-2645   |
|                                  | FAX   | (708) 639-1469   |
| <b>Coilcraft, Europe</b>         | Phone | +44 1236 730 595 |
|                                  | FAX   | +44 1236 730 627 |
| <b>Pulse Engineering</b>         | Phone | (619) 674-8100   |
|                                  | FAX   | (619) 674-8262   |
| <b>Pulse Engineering, Europe</b> | Phone | +353 93 24 107   |
|                                  | FAX   | +353 93 24 459   |
| <b>Renco Electronics</b>         | Phone | (800) 645-5828   |
|                                  | FAX   | (516) 586-5562   |



## Capacitor Selection Guides

Table 2. Input and Output Capacitor Codes

| Capacitor Reference Code | Surface Mount  |        |      |                     |        |      |                   |        |      |
|--------------------------|----------------|--------|------|---------------------|--------|------|-------------------|--------|------|
|                          | AVX TPS Series |        |      | Sprague 594D Series |        |      | Kemet T495 Series |        |      |
|                          | C ( $\mu$ F)   | WV (V) | Irms | C ( $\mu$ F)        | WV (V) | Irms | C ( $\mu$ F)      | WV (V) | Irms |
|                          |                |        | (A)  |                     |        | (A)  |                   |        | (A)  |
| C1                       | 330            | 6.3    | 1.15 | 120                 | 6.3    | 1.1  | 100               | 6.3    | 0.82 |
| C2                       | 100            | 10     | 1.1  | 220                 | 6.3    | 1.4  | 220               | 6.3    | 1.1  |
| C3                       | 220            | 10     | 1.15 | 68                  | 10     | 1.05 | 330               | 6.3    | 1.1  |
| C4                       | 47             | 16     | 0.89 | 150                 | 10     | 1.35 | 100               | 10     | 1.1  |
| C5                       | 100            | 16     | 1.15 | 47                  | 16     | 1    | 150               | 10     | 1.1  |
| C6                       | 33             | 20     | 0.77 | 100                 | 16     | 1.3  | 220               | 10     | 1.1  |
| C7                       | 68             | 20     | 0.94 | 180                 | 16     | 1.95 | 33                | 20     | 0.78 |
| C8                       | 22             | 25     | 0.77 | 47                  | 20     | 1.15 | 47                | 20     | 0.94 |
| C9                       | 10             | 35     | 0.63 | 33                  | 25     | 1.05 | 68                | 20     | 0.94 |
| C10                      | 22             | 35     | 0.66 | 68                  | 25     | 1.6  | 10                | 35     | 0.63 |
| C11                      |                |        |      | 15                  | 35     | 0.75 | 22                | 35     | 0.63 |
| C12                      |                |        |      | 33                  | 35     | 1    | 4.7               | 50     | 0.66 |
| C13                      |                |        |      | 15                  | 50     | 0.9  |                   |        |      |

## Capacitor Selection Guides (Continued)

Table 2. Input and Output Capacitor Codes (continued)

| Capacitor Reference Code | Through Hole           |        |          |                    |        |          |                    |        |          |                      |        |          |
|--------------------------|------------------------|--------|----------|--------------------|--------|----------|--------------------|--------|----------|----------------------|--------|----------|
|                          | Sanyo OS-CON SA Series |        |          | Sanyo MV-GX Series |        |          | Nichicon PL Series |        |          | Panasonic HFQ Series |        |          |
|                          | C (μF)                 | WV (V) | Irms (A) | C (μF)             | WV (V) | Irms (A) | C (μF)             | WV (V) | Irms (A) | C (μF)               | WV (V) | Irms (A) |
| C1                       | 47                     | 6.3    | 1        | 1000               | 6.3    | 0.8      | 680                | 10     | 0.8      | 82                   | 35     | 0.4      |
| C2                       | 150                    | 6.3    | 1.95     | 270                | 16     | 0.6      | 820                | 10     | 0.98     | 120                  | 35     | 0.44     |
| C3                       | 330                    | 6.3    | 2.45     | 470                | 16     | 0.75     | 1000               | 10     | 1.06     | 220                  | 35     | 0.76     |
| C4                       | 100                    | 10     | 1.87     | 560                | 16     | 0.95     | 1200               | 10     | 1.28     | 330                  | 35     | 1.01     |
| C5                       | 220                    | 10     | 2.36     | 820                | 16     | 1.25     | 2200               | 10     | 1.71     | 560                  | 35     | 1.4      |
| C6                       | 33                     | 16     | 0.96     | 1000               | 16     | 1.3      | 3300               | 10     | 2.18     | 820                  | 35     | 1.62     |
| C7                       | 100                    | 16     | 1.92     | 150                | 35     | 0.65     | 3900               | 10     | 2.36     | 1000                 | 35     | 1.73     |
| C8                       | 150                    | 16     | 2.28     | 470                | 35     | 1.3      | 6800               | 10     | 2.68     | 2200                 | 35     | 2.8      |
| C9                       | 100                    | 20     | 2.25     | 680                | 35     | 1.4      | 180                | 16     | 0.41     | 56                   | 50     | 0.36     |
| C10                      | 47                     | 25     | 2.09     | 1000               | 35     | 1.7      | 270                | 16     | 0.55     | 100                  | 50     | 0.5      |
| C11                      |                        |        |          | 220                | 63     | 0.76     | 470                | 16     | 0.77     | 220                  | 50     | 0.92     |
| C12                      |                        |        |          | 470                | 63     | 1.2      | 680                | 16     | 1.02     | 470                  | 50     | 1.44     |
| C13                      |                        |        |          | 680                | 63     | 1.5      | 820                | 16     | 1.22     | 560                  | 50     | 1.68     |
| C14                      |                        |        |          | 1000               | 63     | 1.75     | 1800               | 16     | 1.88     | 1200                 | 50     | 2.22     |
| C15                      |                        |        |          |                    |        |          | 220                | 25     | 0.63     | 330                  | 63     | 1.42     |
| C16                      |                        |        |          |                    |        |          | 220                | 35     | 0.79     | 1500                 | 63     | 2.51     |
| C17                      |                        |        |          |                    |        |          | 560                | 35     | 1.43     |                      |        |          |
| C18                      |                        |        |          |                    |        |          | 2200               | 35     | 2.68     |                      |        |          |
| C19                      |                        |        |          |                    |        |          | 150                | 50     | 0.82     |                      |        |          |
| C20                      |                        |        |          |                    |        |          | 220                | 50     | 1.04     |                      |        |          |
| C21                      |                        |        |          |                    |        |          | 330                | 50     | 1.3      |                      |        |          |
| C22                      |                        |        |          |                    |        |          | 100                | 63     | 0.75     |                      |        |          |
| C23                      |                        |        |          |                    |        |          | 390                | 63     | 1.62     |                      |        |          |
| C24                      |                        |        |          |                    |        |          | 820                | 63     | 2.22     |                      |        |          |
| C25                      |                        |        |          |                    |        |          | 1200               | 63     | 2.51     |                      |        |          |

### Capacitor Manufacturer Contact Numbers

|                       |       |                |
|-----------------------|-------|----------------|
| <b>Nichicon</b>       | Phone | (847) 843-7500 |
|                       | FAX   | (847) 843-2798 |
| <b>Panasonic</b>      | Phone | (714) 373-7857 |
|                       | FAX   | (714) 373-7102 |
| <b>AVX</b>            | Phone | (845) 448-9411 |
|                       | FAX   | (845) 448-1943 |
| <b>Sprague/Vishay</b> | Phone | (207) 324-4140 |
|                       | FAX   | (207) 324-7223 |
| <b>Sanyo</b>          | Phone | (619) 661-6322 |
|                       | FAX   | (619) 661-1055 |
| <b>Kemet</b>          | Phone | (864) 963-6300 |
|                       | FAX   | (864) 963-6521 |

# Capacitor Selection Guides (Continued)

Table 3. Output Capacitors for Fixed Output Voltage Application

| Output Voltage (V) | Inductance ( $\mu$ H) | Surface Mount  |        |                     |        |                   |        |
|--------------------|-----------------------|----------------|--------|---------------------|--------|-------------------|--------|
|                    |                       | AVX TPS Series |        | Sprague 594D Series |        | Kemet T495 Series |        |
|                    |                       | No.            | C Code | No.                 | C Code | No.               | C Code |
| 3.3                | 10                    | 4              | C2     | 3                   | C1     | 4                 | C4     |
|                    | 15                    | 4              | C2     | 3                   | C1     | 4                 | C4     |
|                    | 22                    | 3              | C2     | 2                   | C7     | 3                 | C4     |
|                    | 33                    | 2              | C2     | 2                   | C6     | 2                 | C4     |
| 5                  | 10                    | 4              | C2     | 4                   | C6     | 4                 | C4     |
|                    | 15                    | 3              | C2     | 2                   | C7     | 3                 | C4     |
|                    | 22                    | 3              | C2     | 2                   | C7     | 3                 | C4     |
|                    | 33                    | 2              | C2     | 2                   | C3     | 2                 | C4     |
|                    | 47                    | 2              | C2     | 1                   | C7     | 2                 | C4     |
| 12                 | 10                    | 4              | C5     | 3                   | C6     | 5                 | C9     |
|                    | 15                    | 3              | C5     | 2                   | C7     | 4                 | C8     |
|                    | 22                    | 2              | C5     | 2                   | C6     | 3                 | C8     |
|                    | 33                    | 2              | C5     | 1                   | C7     | 2                 | C8     |
|                    | 47                    | 2              | C4     | 1                   | C6     | 2                 | C8     |
|                    | 68                    | 1              | C5     | 1                   | C5     | 2                 | C7     |
|                    | 100                   | 1              | C4     | 1                   | C5     | 1                 | C8     |

| Output Voltage (V) | Inductance ( $\mu$ H) | Through Hole           |        |                    |        |                    |        |                      |        |
|--------------------|-----------------------|------------------------|--------|--------------------|--------|--------------------|--------|----------------------|--------|
|                    |                       | Sanyo OS-CON SA Series |        | Sanyo MV-GX Series |        | Nichicon PL Series |        | Panasonic HFQ Series |        |
|                    |                       | No.                    | C Code | No.                | C Code | No.                | C Code | No.                  | C Code |
| 3.3                | 10                    | 1                      | C3     | 1                  | C10    | 1                  | C6     | 2                    | C6     |
|                    | 15                    | 1                      | C3     | 1                  | C10    | 1                  | C6     | 2                    | C5     |
|                    | 22                    | 1                      | C5     | 1                  | C10    | 1                  | C5     | 1                    | C7     |
|                    | 33                    | 1                      | C2     | 1                  | C10    | 1                  | C13    | 1                    | C5     |
| 5                  | 10                    | 2                      | C4     | 1                  | C10    | 1                  | C6     | 2                    | C5     |
|                    | 15                    | 1                      | C5     | 1                  | C10    | 1                  | C5     | 1                    | C6     |
|                    | 22                    | 1                      | C5     | 1                  | C5     | 1                  | C5     | 1                    | C5     |
|                    | 33                    | 1                      | C4     | 1                  | C5     | 1                  | C13    | 1                    | C5     |
|                    | 47                    | 1                      | C4     | 1                  | C4     | 1                  | C13    | 2                    | C3     |
| 12                 | 10                    | 2                      | C7     | 2                  | C5     | 1                  | C18    | 2                    | C5     |
|                    | 15                    | 1                      | C8     | 1                  | C5     | 1                  | C17    | 1                    | C5     |
|                    | 22                    | 1                      | C7     | 1                  | C5     | 1                  | C13    | 1                    | C5     |
|                    | 33                    | 1                      | C7     | 1                  | C3     | 1                  | C11    | 1                    | C4     |
|                    | 47                    | 1                      | C7     | 1                  | C3     | 1                  | C10    | 1                    | C3     |
|                    | 68                    | 1                      | C7     | 1                  | C2     | 1                  | C10    | 1                    | C3     |
|                    | 100                   | 1                      | C7     | 1                  | C2     | 1                  | C9     | 1                    | C1     |

No. represents the number of identical capacitor types to be connected in parallel

C Code indicates the Capacitor Reference number in Table 2 for identifying the specific component from the manufacturer.

## Capacitor Selection Guides (Continued)

**Table 4. Input Capacitors for Fixed Output Voltage Application**

(Assumes worst case maximum input voltage and load current for a given inductance value)

| Output Voltage (V) | Inductance ( $\mu\text{H}$ ) | Surface Mount  |        |                     |        |                   |        |
|--------------------|------------------------------|----------------|--------|---------------------|--------|-------------------|--------|
|                    |                              | AVX TPS Series |        | Sprague 594D Series |        | Kemet T495 Series |        |
|                    |                              | No.            | C Code | No.                 | C Code | No.               | C Code |
| 3.3                | 10                           | 2              | C5     | 1                   | C7     | 2                 | C8     |
|                    | 15                           | 3              | C9     | 1                   | C10    | 3                 | C10    |
|                    | 22                           | *              | *      | 2                   | C13    | 3                 | C12    |
|                    | 33                           | *              | *      | 2                   | C13    | 2                 | C12    |
| 5                  | 10                           | 2              | C5     | 1                   | C7     | 2                 | C8     |
|                    | 15                           | 2              | C5     | 1                   | C7     | 2                 | C8     |
|                    | 22                           | 3              | C10    | 2                   | C12    | 3                 | C11    |
|                    | 33                           | *              | *      | 2                   | C13    | 3                 | C12    |
|                    | 47                           | *              | *      | 1                   | C13    | 2                 | C12    |
| 12                 | 10                           | 2              | C7     | 2                   | C10    | 2                 | C7     |
|                    | 15                           | 2              | C7     | 2                   | C10    | 2                 | C7     |
|                    | 22                           | 3              | C10    | 2                   | C12    | 3                 | C10    |
|                    | 33                           | 3              | C10    | 2                   | C12    | 3                 | C10    |
|                    | 47                           | *              | *      | 2                   | C13    | 3                 | C12    |
|                    | 68                           | *              | *      | 2                   | C13    | 2                 | C12    |
|                    | 100                          | *              | *      | 1                   | C13    | 2                 | C12    |

| Output Voltage (V) | Inductance ( $\mu\text{H}$ ) | Through Hole           |        |                    |        |                    |        |                      |        |
|--------------------|------------------------------|------------------------|--------|--------------------|--------|--------------------|--------|----------------------|--------|
|                    |                              | Sanyo OS-CON SA Series |        | Sanyo MV-GX Series |        | Nichicon PL Series |        | Panasonic HFQ Series |        |
|                    |                              | No.                    | C Code | No.                | C Code | No.                | C Code | No.                  | C Code |
| 3.3                | 10                           | 1                      | C7     | 2                  | C4     | 1                  | C5     | 1                    | C6     |
|                    | 15                           | 1                      | C10    | 1                  | C10    | 1                  | C18    | 1                    | C6     |
|                    | 22                           | *                      | *      | 1                  | C14    | 1                  | C24    | 1                    | C13    |
|                    | 33                           | *                      | *      | 1                  | C12    | 1                  | C20    | 1                    | C12    |
| 5                  | 10                           | 1                      | C7     | 2                  | C4     | 1                  | C14    | 1                    | C6     |
|                    | 15                           | 1                      | C7     | 2                  | C4     | 1                  | C14    | 1                    | C6     |
|                    | 22                           | *                      | *      | 1                  | C10    | 1                  | C18    | 1                    | C13    |
|                    | 33                           | *                      | *      | 1                  | C14    | 1                  | C23    | 1                    | C13    |
|                    | 47                           | *                      | *      | 1                  | C12    | 1                  | C20    | 1                    | C12    |
| 12                 | 10                           | 1                      | C9     | 1                  | C10    | 1                  | C18    | 1                    | C6     |
|                    | 15                           | 1                      | C10    | 1                  | C10    | 1                  | C18    | 1                    | C6     |
|                    | 22                           | 1                      | C10    | 1                  | C10    | 1                  | C18    | 1                    | C6     |
|                    | 33                           | *                      | *      | 1                  | C10    | 1                  | C18    | 1                    | C6     |
|                    | 47                           | *                      | *      | 1                  | C13    | 1                  | C23    | 1                    | C13    |
|                    | 68                           | *                      | *      | 1                  | C12    | 1                  | C21    | 1                    | C12    |
|                    | 100                          | *                      | *      | 1                  | C11    | 1                  | C22    | 1                    | C11    |

\* Check voltage rating of capacitors to be greater than application input voltage.

No. represents the number of identical capacitor types to be connected in parallel

C Code indicates the Capacitor Reference number in Table 2 for identifying the specific component from the manufacturer.

## Capacitor Selection Guides (Continued)

**Table 5. Schottky Diode Selection Table**

| Reverse Voltage (V) | Surface Mount                                    |                       | Through Hole                        |                             |
|---------------------|--|-----------------------|-------------------------------------|-----------------------------|
|                     | 3A   | 5A or More            | 3A                                  | 5A or More                  |
| <b>20V</b>          | SK32   |                       | 1N5820<br>SR302                     |                             |
| <b>30V</b>          | SK33<br>30WQ03F                                  | MBRD835L              | 1N5821<br>31DQ03                    |                             |
| <b>40V</b>          | SK34<br>30BQ040<br>30WQ04F<br>MBRS340<br>MBRD340 | MBRB1545CT<br>6TQ045S | 1N5822<br>MBR340<br>31DQ04<br>SR403 | MBR745<br>80SQ045<br>6TQ045 |
| <b>50V or More</b>  | SK35<br>30WQ05F                                  |                       | MBR350<br>31DQ05<br>SR305           |                             |

**Diode Manufacturer Contact Numbers**

|                                |       |                |
|--------------------------------|-------|----------------|
| <b>International Rectifier</b> | Phone | (310) 322-3331 |
|                                | FAX   | (310) 322-3332 |
| <b>Motorola</b>                | Phone | (800) 521-6274 |
|                                | FAX   | (602) 244-6609 |
| <b>General Semiconductor</b>   | Phone | (516) 847-3000 |
|                                | FAX   | (516) 847-3236 |
| <b>Diodes, Inc.</b>            | Phone | (805) 446-4800 |
|                                | FAX   | (805) 446-4850 |

# Capacitor Selection Guides (Continued)

**Table 6. Output Capacitors for Adjustable Output Voltage Applications**

| Output Voltage (V) | Inductance ( $\mu\text{H}$ ) | Surface Mount       |        |                     |        |                   |        |
|--------------------|------------------------------|---------------------|--------|---------------------|--------|-------------------|--------|
|                    |                              | AVX TPS Series      |        | Sprague 594D Series |        | Kemet T495 Series |        |
|                    |                              | No.                 | C Code | No.                 | C Code | No.               | C Code |
| 1.21 to 2.50       | 33*                          | 7                   | C1     | 6                   | C2     | 7                 | C3     |
|                    | 47*                          | 5                   | C1     | 4                   | C2     | 5                 | C3     |
| 2.5 to 3.75        | 33*                          | 4                   | C1     | 3                   | C2     | 4                 | C3     |
|                    | 47*                          | 3                   | C1     | 2                   | C2     | 3                 | C3     |
| 3.75 to 5          | 22                           | 4                   | C1     | 3                   | C2     | 4                 | C3     |
|                    | 33                           | 3                   | C1     | 2                   | C2     | 3                 | C3     |
|                    | 47                           | 2                   | C1     | 2                   | C2     | 2                 | C3     |
| 5 to 6.25          | 22                           | 3                   | C2     | 3                   | C3     | 3                 | C4     |
|                    | 33                           | 2                   | C2     | 2                   | C3     | 2                 | C4     |
|                    | 47                           | 2                   | C2     | 2                   | C3     | 2                 | C4     |
|                    | 68                           | 1                   | C2     | 1                   | C3     | 1                 | C4     |
| 6.25 to 7.5        | 22                           | 3                   | C2     | 1                   | C4     | 3                 | C4     |
|                    | 33                           | 2                   | C2     | 1                   | C3     | 2                 | C4     |
|                    | 47                           | 1                   | C3     | 1                   | C4     | 1                 | C6     |
|                    | 68                           | 1                   | C2     | 1                   | C3     | 1                 | C4     |
| 7.5 to 10          | 33                           | 2                   | C5     | 1                   | C6     | 2                 | C8     |
|                    | 47                           | 1                   | C5     | 1                   | C6     | 2                 | C8     |
|                    | 68                           | 1                   | C5     | 1                   | C6     | 1                 | C8     |
|                    | 100                          | 1                   | C4     | 1                   | C5     | 1                 | C8     |
| 10 to 12.5         | 33                           | 1                   | C5     | 1                   | C6     | 2                 | C8     |
|                    | 47                           | 1                   | C5     | 1                   | C6     | 2                 | C8     |
|                    | 68                           | 1                   | C5     | 1                   | C6     | 1                 | C8     |
|                    | 100                          | 1                   | C5     | 1                   | C6     | 1                 | C8     |
| 12.5 to 15         | 33                           | 1                   | C6     | 1                   | C8     | 1                 | C8     |
|                    | 47                           | 1                   | C6     | 1                   | C8     | 1                 | C8     |
|                    | 68                           | 1                   | C6     | 1                   | C8     | 1                 | C8     |
|                    | 100                          | 1                   | C6     | 1                   | C8     | 1                 | C8     |
| 15 to 20           | 33                           | 1                   | C8     | 1                   | C10    | 2                 | C10    |
|                    | 47                           | 1                   | C8     | 1                   | C9     | 2                 | C10    |
|                    | 68                           | 1                   | C8     | 1                   | C9     | 2                 | C10    |
|                    | 100                          | 1                   | C8     | 1                   | C9     | 1                 | C10    |
| 20 to 30           | 33                           | 2                   | C9     | 2                   | C11    | 2                 | C11    |
|                    | 47                           | 1                   | C10    | 1                   | C12    | 1                 | C11    |
|                    | 68                           | 1                   | C9     | 1                   | C12    | 1                 | C11    |
|                    | 100                          | 1                   | C9     | 1                   | C12    | 1                 | C11    |
| 30 to 37           | 10                           | No Values Available |        | 4                   | C13    | 8                 | C12    |
|                    | 15                           |                     |        | 3                   | C13    | 5                 | C12    |
|                    | 22                           |                     |        | 2                   | C13    | 4                 | C12    |
|                    | 33                           |                     |        | 1                   | C13    | 3                 | C12    |
|                    | 47                           |                     |        | 1                   | C13    | 2                 | C12    |
|                    | 68                           |                     |        | 1                   | C13    | 2                 | C12    |

# Capacitor Selection Guides (Continued)

**Table 6. Output Capacitors for Adjustable Output Voltage Applications (continued)**

| Output Voltage (V) | Inductance (µH) | Through Hole           |        |                    |        |                    |        |                      |        |
|--------------------|-----------------|------------------------|--------|--------------------|--------|--------------------|--------|----------------------|--------|
|                    |                 | Sanyo OS-CON SA Series |        | Sanyo MV-GX Series |        | Nichicon PL Series |        | Panasonic HFQ Series |        |
|                    |                 | No.                    | C Code | No.                | C Code | No.                | C Code | No.                  | C Code |
| 1.21 to 2.50       | 33*             | 2                      | C3     | 5                  | C1     | 5                  | C3     | 3                    | C      |
|                    | 47*             | 2                      | C2     | 4                  | C1     | 3                  | C3     | 2                    | C5     |
| 2.5 to 3.75        | 33*             | 1                      | C3     | 3                  | C1     | 3                  | C1     | 2                    | C5     |
|                    | 47*             | 1                      | C2     | 2                  | C1     | 2                  | C3     | 1                    | C5     |
| 3.75 to 5          | 22              | 1                      | C3     | 3                  | C1     | 3                  | C1     | 2                    | C5     |
|                    | 33              | 1                      | C2     | 2                  | C1     | 2                  | C1     | 1                    | C5     |
|                    | 47              | 1                      | C2     | 2                  | C1     | 1                  | C3     | 1                    | C5     |
| 5 to 6.25          | 22              | 1                      | C5     | 2                  | C6     | 2                  | C3     | 2                    | C5     |
|                    | 33              | 1                      | C4     | 1                  | C6     | 2                  | C1     | 1                    | C5     |
|                    | 47              | 1                      | C4     | 1                  | C6     | 1                  | C3     | 1                    | C5     |
|                    | 68              | 1                      | C4     | 1                  | C6     | 1                  | C1     | 1                    | C5     |
| 6.25 to 7.5        | 22              | 1                      | C5     | 1                  | C6     | 2                  | C1     | 1                    | C5     |
|                    | 33              | 1                      | C4     | 1                  | C6     | 1                  | C3     | 1                    | C5     |
|                    | 47              | 1                      | C4     | 1                  | C6     | 1                  | C1     | 1                    | C5     |
|                    | 68              | 1                      | C4     | 1                  | C2     | 1                  | C1     | 1                    | C5     |
| 7.5 to 10          | 33              | 1                      | C7     | 1                  | C6     | 1                  | C14    | 1                    | C5     |
|                    | 47              | 1                      | C7     | 1                  | C6     | 1                  | C14    | 1                    | C5     |
|                    | 68              | 1                      | C7     | 1                  | C2     | 1                  | C14    | 1                    | C2     |
|                    | 100             | 1                      | C7     | 1                  | C2     | 1                  | C14    | 1                    | C2     |
| 10 to 12.5         | 33              | 1                      | C7     | 1                  | C6     | 1                  | C14    | 1                    | C5     |
|                    | 47              | 1                      | C7     | 1                  | C2     | 1                  | C14    | 1                    | C5     |
|                    | 68              | 1                      | C7     | 1                  | C2     | 1                  | C9     | 1                    | C2     |
|                    | 100             | 1                      | C7     | 1                  | C2     | 1                  | C9     | 1                    | C2     |
| 12.5 to 15         | 33              | 1                      | C9     | 1                  | C10    | 1                  | C15    | 1                    | C2     |
|                    | 47              | 1                      | C9     | 1                  | C10    | 1                  | C15    | 1                    | C2     |
|                    | 68              | 1                      | C9     | 1                  | C10    | 1                  | C15    | 1                    | C2     |
|                    | 100             | 1                      | C9     | 1                  | C10    | 1                  | C15    | 1                    | C2     |
| 15 to 20           | 33              | 1                      | C10    | 1                  | C7     | 1                  | C15    | 1                    | C2     |
|                    | 47              | 1                      | C10    | 1                  | C7     | 1                  | C15    | 1                    | C2     |
|                    | 68              | 1                      | C10    | 1                  | C7     | 1                  | C15    | 1                    | C2     |
|                    | 100             | 1                      | C10    | 1                  | C7     | 1                  | C15    | 1                    | C2     |
| 20 to 30           | 33              | No Values Available    |        | 1                  | C7     | 1                  | C16    | 1                    | C2     |
|                    | 47              |                        |        | 1                  | C7     | 1                  | C16    | 1                    | C2     |
|                    | 68              |                        |        | 1                  | C7     | 1                  | C16    | 1                    | C2     |
|                    | 100             |                        |        | 1                  | C7     | 1                  | C16    | 1                    | C2     |
| 30 to 37           | 10              | No Values Available    |        | 1                  | C12    | 1                  | C20    | 1                    | C10    |
|                    | 15              |                        |        | 1                  | C11    | 1                  | C20    | 1                    | C11    |
|                    | 22              |                        |        | 1                  | C11    | 1                  | C20    | 1                    | C10    |
|                    | 33              |                        |        | 1                  | C11    | 1                  | C20    | 1                    | C10    |
|                    | 47              |                        |        | 1                  | C11    | 1                  | C20    | 1                    | C10    |
|                    | 68              |                        |        | 1                  | C11    | 1                  | C20    | 1                    | C10    |

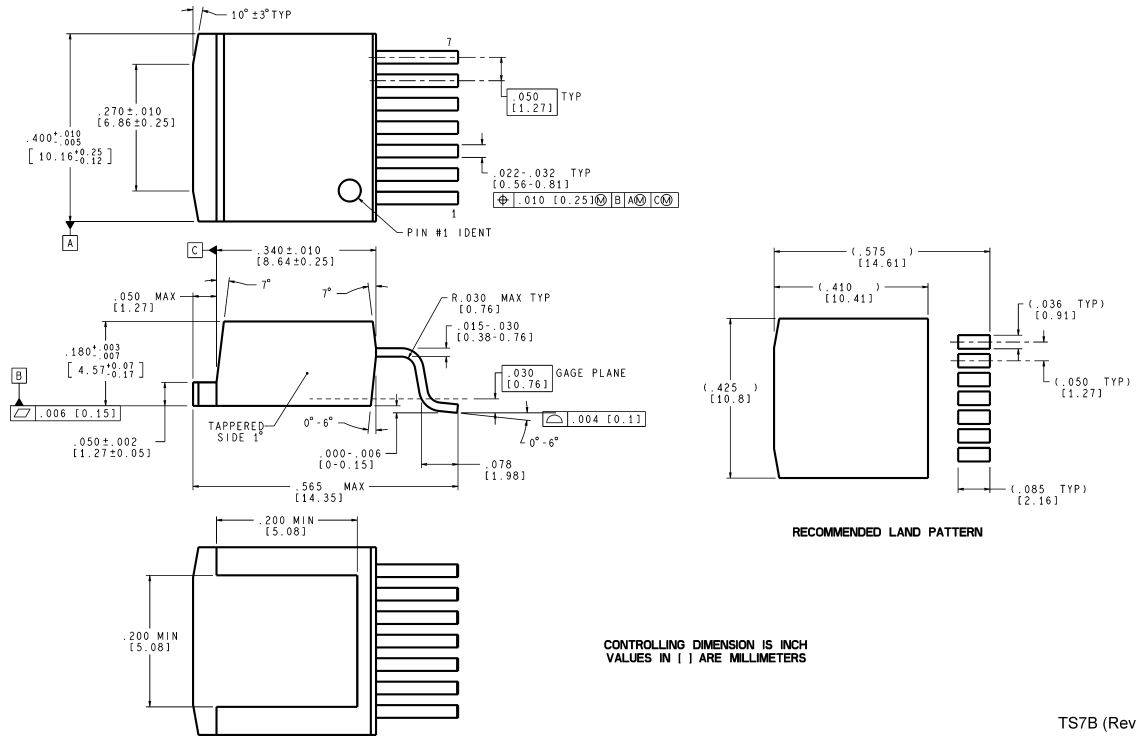
\* Set to a higher value for a practical design solution. See Applications Hints section

No. represents the number of identical capacitor types to be connected in parallel

C Code indicates the Capacitor Reference number in Table 2 for identifying the specific component from the manufacturer.

# Physical Dimensions inches (millimeters)

unless otherwise noted

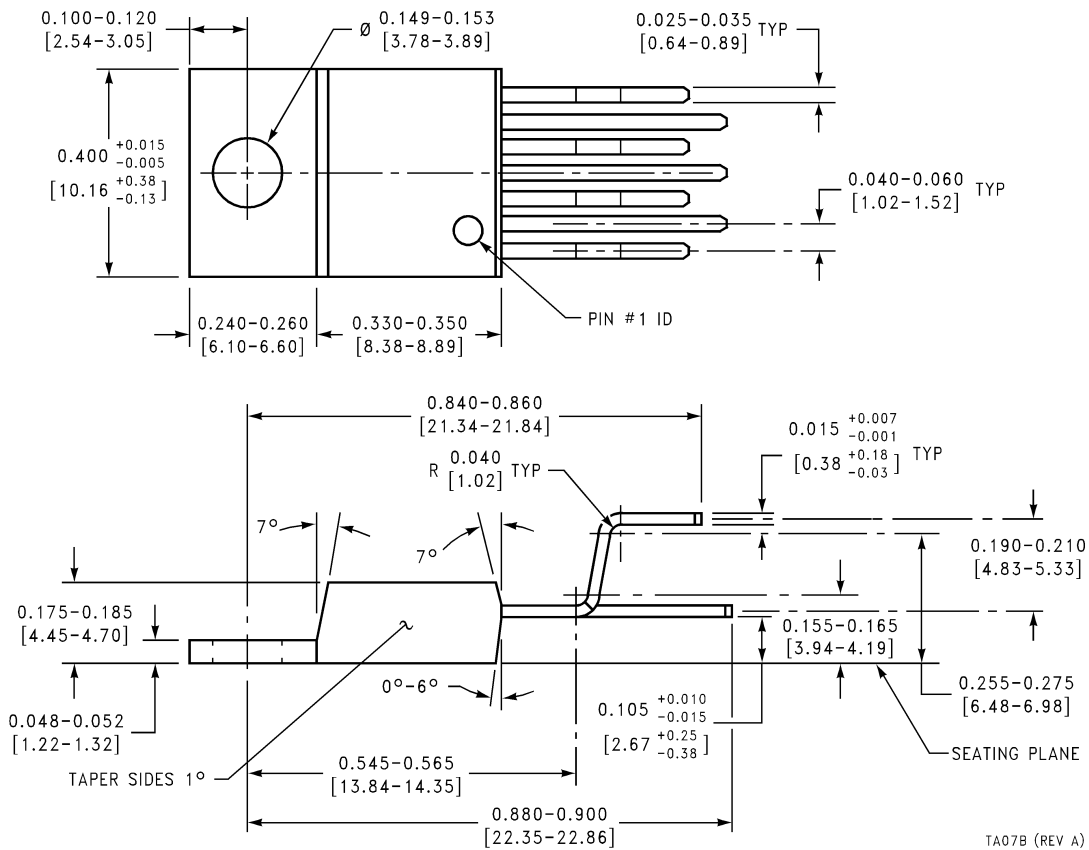


**TO-263 Surface Mount Power Package**  
**Order Number LM2673S-3.3, LM2673S-5.0,**  
**LM2673S-12 or LM2673S-ADJ**  
**NS Package Number TS7B**

TS7B (Rev D)



# Physical Dimensions inches (millimeters) unless otherwise noted (Continued)



**TO-220 Power Package**  
**Order Number LM2673T-3.3, LM2673T-5.0,**  
**LM2673T-12 or LM2673T-ADJ**  
**NS Package Number TA07B**

