

# MAXIM

## 8V CMOS Switched-Capacitor Voltage Converter

MAX665

### General Description

The MAX665 charge-pump voltage inverter converts a +1.5V to +8V input to a corresponding -1.5V to -8V output. Using only two low-cost capacitors to produce 100mA, the MAX665 replaces switching regulators, eliminating inductors and their associated cost, size, and EMI. Greater than 90% efficiency over most of its load-current range combined with a 200 $\mu$ A typical operating current provides ideal performance for both battery-powered and board-level voltage conversion applications. The MAX665 can also double the output voltage of an input power supply or battery, providing +9.35V at 100mA from a +5V input.

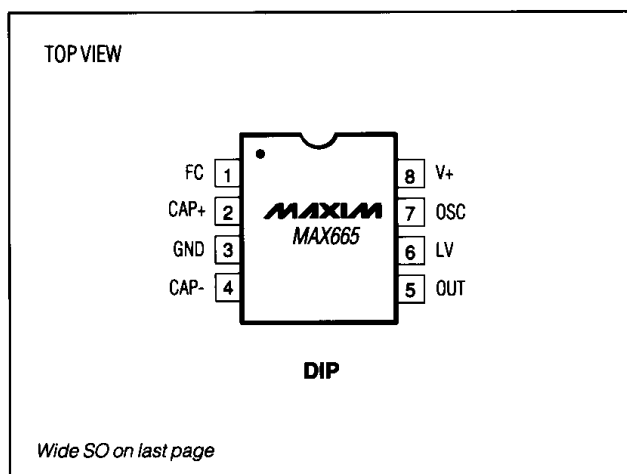
A Frequency Control (FC) pin selects either 10kHz or 45kHz operation to optimize capacitor size and quiescent current. The oscillator frequency can also be adjusted with an external capacitor or driven with an external clock. The MAX665 is a pin-compatible high-current upgrade of the ICL7660. For an 8-pin SO version with a 5.5V maximum input voltage, refer to the MAX660 data sheet.

The MAX665 is available in both 8-pin DIP and 16-pin wide SO packages in commercial, extended, and military temperature ranges.

### Applications

- Laptop Computers
- Medical Instruments
- Interface Power Supplies
- Handheld Instruments
- Op-Amp Power Supplies
- GaAs Power-Amp Bias Supplies

### Pin Configurations



### Features

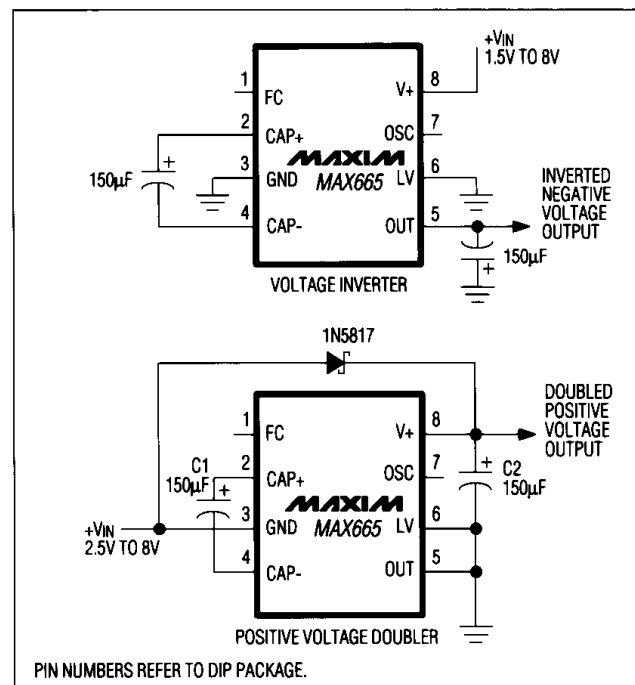
- ◆ 0.65V Loss at 100mA Load
- ◆ 6.5 $\Omega$  Output Impedance
- ◆ Pin-Compatible High-Current ICL7660 Upgrade
- ◆ Inverts or Doubles Input Supply Voltage
- ◆ Selectable Oscillator Frequency: 10kHz/45kHz
- ◆ 88% Conversion Efficiency at 100mA ( $I_L$  to GND)
- ◆ 200 $\mu$ A Operating Current
- ◆ +1.5V to +8V Supply

### Ordering Information

| PART      | TEMP. RANGE     | PIN-PACKAGE   |
|-----------|-----------------|---------------|
| MAX665CPA | 0°C to +70°C    | 8 Plastic DIP |
| MAX665CWE | 0°C to +70°C    | 16 Wide SO    |
| MAX665C/D | 0°C to +70°C    | Dice*         |
| MAX665EPA | -40°C to +85°C  | 8 Plastic DIP |
| MAX665EWE | -40°C to +85°C  | 16 Wide SO    |
| MAX665MJA | -55°C to +125°C | 8 CERDIP      |

\* Dice are tested at +25°C only.

### Typical Operating Circuits



Maxim Integrated Products 1

Call toll free 1-800-998-8800 for free samples or literature.

# 8V CMOS Switched-Capacitor Voltage Converter

## ABSOLUTE MAXIMUM RATINGS

|  |  |
|--|--|
| Supply Voltage (V+ to GND, or GND to OUT)        | +8.5V  |
| LV Input Voltage                                 | (OUT - 0.3V) to (V+ + 0.3V)                                    |
| FC and OSC Input Voltages                        | The Least Negative of (OUT - 0.3V) or (V+ - 6V) to (V+ + 0.3V) |
| OUT and V+ Continuous Output Current             | 120mA  |
| Output Short-Circuit Duration to GND (Note 1)    | 1 sec  |
| Continuous Power Dissipation (TA = +70°C)        |  |
| 8-Pin Plastic DIP (derate 9.09mW/°C above +70°C) | 727mW  |
| 16-Pin Wide SO (derate 9.52mW/°C above +70°C)    | 762mW  |
| 8-Pin CERDIP (derate 8.00mW/°C above +70°C)      | 640mW  |

### Operating Temperature Ranges:

|                                      |                 |
|--------------------------------------|-----------------|
| MAX665C                              | 0°C to +70°C    |
| MAX665E                              | -40°C to +85°C  |
| MAX665MJA                            | -55°C to +125°C |
| Storage Temperature Range            | -65°C to +160°C |
| Lead Temperature (soldering, 10 sec) | +300°C          |

**Note 1:** OUT may be shorted to GND for 1 sec without damage, but shorting OUT to V+ may damage the device.

Stresses beyond those listed under "Absolute Maximum Ratings" may cause permanent damage to the device. These are stress ratings only, and functional operation of the device at these or any other conditions beyond those indicated in the operational sections of the specifications is not implied. Exposure to absolute maximum rating conditions for extended periods may affect device reliability.

## ELECTRICAL CHARACTERISTICS

(V+ = 5V, C1, C2 = 150µF, test circuit of Figure 1, FC = open, TA = TMIN to TMAX, unless otherwise noted.) (Note 2)

| PARAMETER                     | CONDITIONS                               | MIN                 | TYP   | MAX | UNITS |     |
|-------------------------------|--|---------------------|-------|-----|-------|-----|
| Operating Supply Voltage      | RL = 1kΩ                                 | Inverter, LV = open | 3     |     | 8     | V   |
|                               |  | Inverter, LV = GND  | 1.5   |     | 8     |     |
|                               |  | Doubler, LV = OUT   | 2.5   |     | 8     |     |
| Supply Current                | No load                                  | FC = open           | 0.2   |     | 0.5   | mA  |
|                               |  | FC = V+             | 1     |     | 3     |     |
| Output Current                | TA ≤ +85°C, OUT more negative than -4V   | 100                 |       |     |       | mA  |
|                               | TA > +85°C, OUT more negative than -3.8V | 100                 |       |     |       |     |
| Output Resistance (Note 3)    | IL = 100mA                               | TA ≤ +85°C          | 6.5   |     | 10    | Ω   |
|                               |  | TA > +85°C          |       |     | 12    |     |
| Oscillator Frequency          | FC = open                                |                     | 10    |     |       | kHz |
|                               | FC = V+                                  |                     | 45    |     |       |     |
| OSC Input Current             | FC = open                                |                     | ±1.1  |     |       | µA  |
|                               | FC = V+                                  |                     | ±5    |     |       |     |
| Power Efficiency              | RL = 1kΩ connected between V+ and OUT    | 96                  | 98    |     |       | %   |
|                               | RL = 500Ω connected between OUT and GND  | 92                  | 96    |     |       |     |
|                               | IL = 100mA to GND                        |                     | 88    |     |       |     |
| Voltage Conversion Efficiency | No load                                  | 99                  | 99.96 |     |       | %   |

**Note 2:** In the test circuit, capacitors C1 and C2 are 150µF, 0.2Ω maximum ESR, aluminum electrolytics (Maxim part # MAXC001). Capacitors with higher ESR may reduce output voltage and efficiency.

**Note 3:** Specified output resistance is a combination of internal switch resistance and capacitor ESR. See *Capacitor Selection* section.

# 8V CMOS Switched-Capacitor Voltage Converter

## Typical Operating Characteristics

All curves are generated using the test circuit of Figure 1 with  $V_+ = 5V$ ,  $LV = GND$ ,  $FC = open$ , and  $T_A = +25^\circ C$ , unless otherwise noted. The charge-pump frequency is one-half the oscillator frequency. Test results are also valid for doubler mode with  $GND = +5V$ ,  $LV = OUT$ , and  $OUT = 0V$ , unless otherwise noted; however, the input voltage is restricted to +2.5V to +8V.

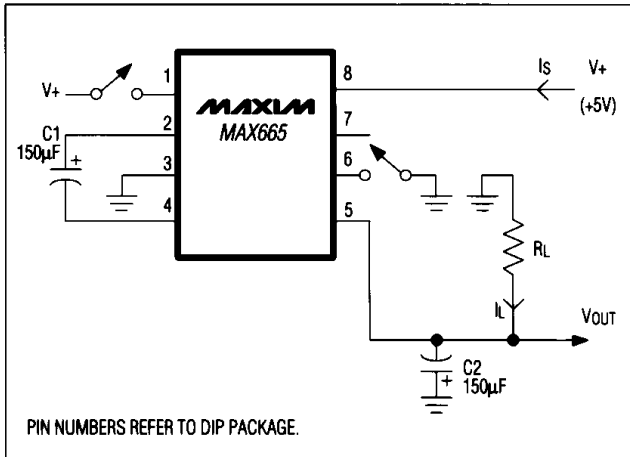
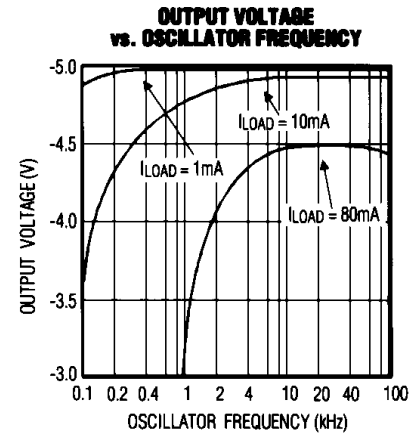
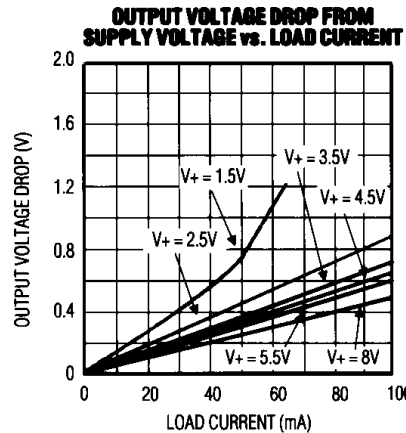
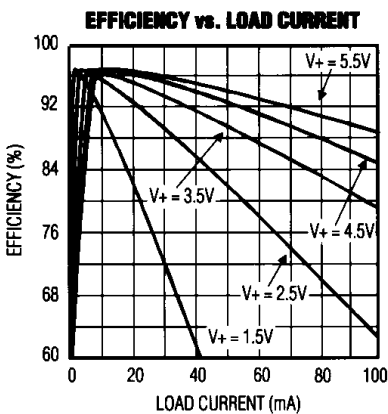
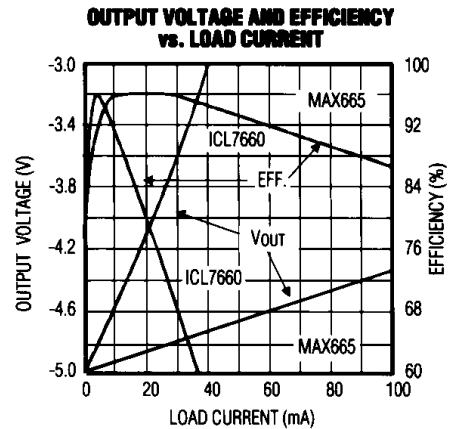
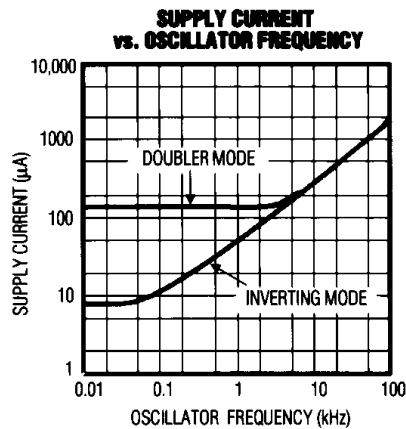
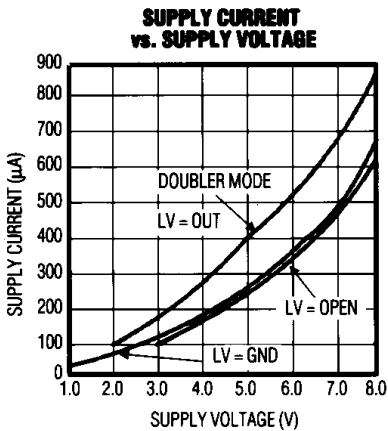


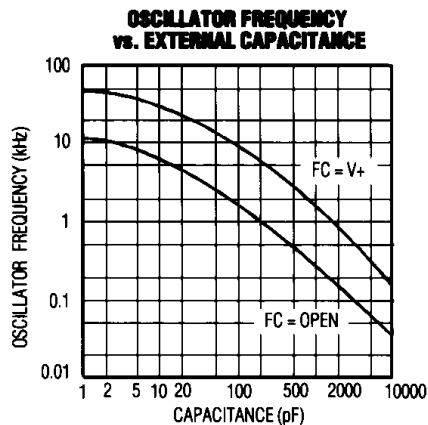
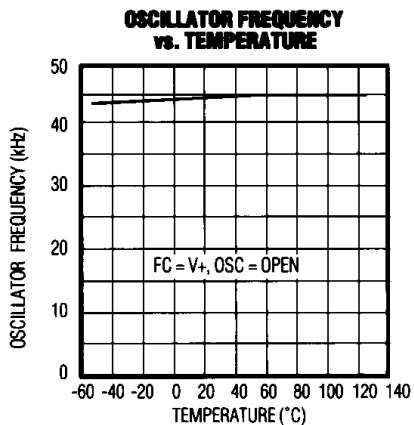
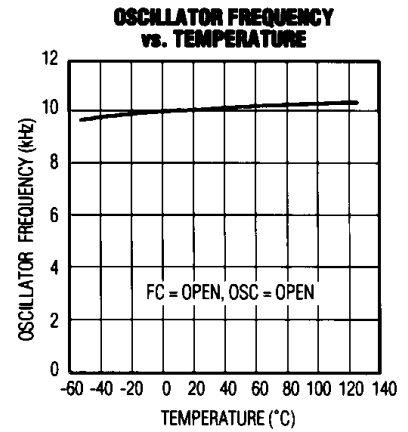
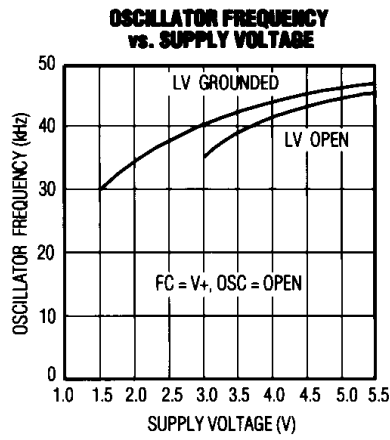
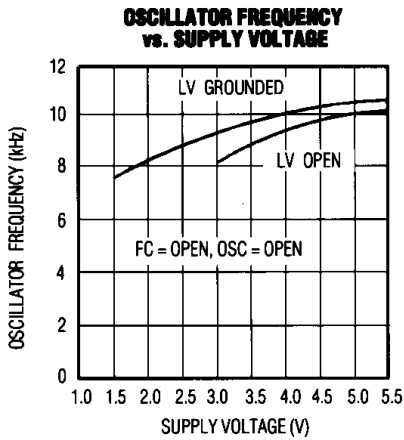
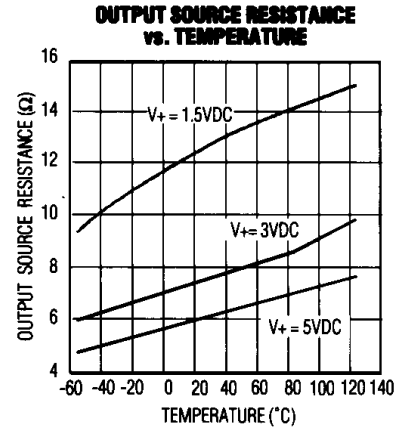
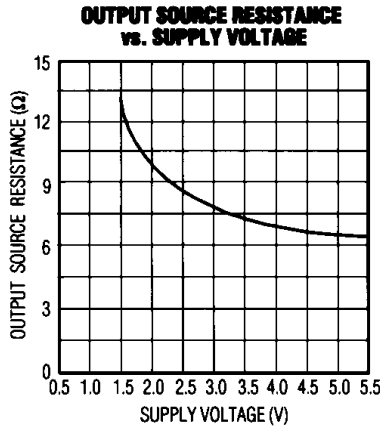
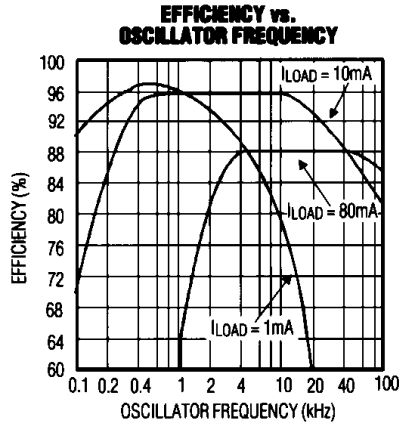
Figure 1. MAX665 Test Circuit

MAX665



# 8V CMOS Switched-Capacitor Voltage Converter

## Typical Operating Characteristics (continued)



# 8V CMOS Switched-Capacitor Voltage Converter

## Pin Description

MAX665

| PIN |                            | NAME | FUNCTION  |  |
|-----|----------------------------|------|---|--|
| DIP | WIDE SO                    |      | INVERTER  | DOUBLER  |
| 1   | 2                          | FC   | Frequency Control for internal oscillator. FC = open, f <sub>OSC</sub> = 10kHz typ; FC = V+, f <sub>OSC</sub> = 45kHz typ; FC has no effect when OSC pin is driven externally.  | Same as inverter   |
| 2   | 4                          | CAP+ | Positive Charge-Pump Capacitor Terminal   | Same as inverter   |
| 3   | 6                          | GND  | Power-Supply Ground Input   | Power-Supply Positive Voltage Input                                      |
| 4   | 8                          | CAP- | Negative Charge-Pump Capacitor Terminal   | Same as inverter   |
| 5   | 9                          | OUT  | Output, Negative Voltage  | Power-Supply Ground Input  |
| 6   | 11                         | LV   | Low-Voltage Operation Input. Tie LV to GND when input voltage is less than 3V. Above 3V, LV may be connected to GND or left open; when overdriving OSC, LV must be connected to GND.  | LV must be tied to OUT for all input voltages.                           |
| 7   | 13                         | OSC  | Oscillator Control Input. OSC is connected to an internal 15pF capacitor. An external capacitor can be added to slow the oscillator. Care must be taken to minimize stray capacitance. An external oscillator may also be connected to overdrive OSC. | Same as inverter; however, do not overdrive OSC in voltage doubler mode. |
| 8   | 16                         | V+   | Power-Supply Positive Voltage Input   | Positive Voltage Output  |
| —   | 1, 3, 5, 7, 10, 12, 14, 15 | N.C. | No Connect - not internally connected   | No Connect   |

## Detailed Description

The MAX665 capacitive charge-pump circuit either inverts or doubles the input voltage. Two external capacitors are needed in the voltage inverting mode, while two capacitors and one diode are needed for the voltage doubling mode (see *Typical Operating Circuits*). For highest performance, use low effective series resistance (ESR) capacitors. See *Capacitor Selection* section for more details.

When using the inverting mode with a supply voltage less than 3V, LV must be connected to GND. This bypasses the internal regulator circuitry and provides best performance in low-voltage applications. When using the inverter mode with a supply voltage above 3V, LV may be connected to GND or left open. The part is typically operated with LV grounded, but since LV may be left open, the substitution of the MAX665 for the ICL7660 is simplified. LV must be grounded when overdriving OSC (see *Changing Oscillator Frequency* section). Connect LV to OUT (for any supply voltage) when using the doubler mode.

## Applications Information

### Negative Voltage Converter

The most common application of the MAX665 is as a charge-pump voltage inverter. The operating circuit

uses only two external capacitors, C1 and C2 (see *Typical Operating Circuits*). In most applications these are low-cost, low-ESR, 150µF electrolytic capacitors (refer to *Capacitor Selection* section).

Even though its output is not actively regulated, the MAX665 is very insensitive to load current changes. A typical output source resistance of 6.5Ω means that with an input of +5V the output voltage is -5V under light load, and decreases to only -4.35V with a 100mA load. Output source resistance vs. temperature and supply voltage are shown in the *Typical Operating Characteristics* graphs.

Output ripple voltage is calculated by noting that the output current supplied is solely from capacitor C2 during one-half of the charge-pump cycle. This introduces a peak-to-peak ripple of:

$$V_{\text{RIPPLE}} = \frac{I_{\text{OUT}}}{2(f_{\text{PUMP}})(C_2)} + I_{\text{OUT}}(\text{ESR}C_2)$$

For a nominal f<sub>PUMP</sub> of 5kHz (one-half the nominal 10kHz oscillator frequency) where C2 = 150µF with an ESR of 0.2Ω, ripple is approximately 90mV with a 100mA load current. If C2 is raised to 390µF, the ripple drops to 45mV.

# 8V CMOS Switched-Capacitor Voltage Converter

## Positive Voltage Doubler

The MAX665 operates in the voltage-doubling mode as shown in the *Typical Operating Circuit*. The external Schottky (1N5817) diode is for start-up only. The no-load output is  $2 \times V_{IN}$  and is not reduced by the diode forward drop.

## Changing Oscillator Frequency

Four modes control the MAX665's clock frequency, as listed below:

| FC              | OSC                | Oscillator Frequency                         |
|-----------------|--------------------|--|
| Open            | Open               | 10kHz  |
| FC = V+         | Open               | 45kHz  |
| Open or FC = V+ | External capacitor | See <i>Typical Operating Characteristics</i> |
| Open            | External clock     | External clock frequency                     |

When FC and OSC are unconnected (open), the oscillator runs at 10kHz typically. When FC is connected to V+, the charge and discharge current at OSC changes from  $1.1\mu\text{A}$  to  $5\mu\text{A}$ , thus increasing the oscillator frequency 4.5 times. In the third mode, the oscillator frequency is lowered by connecting a capacitor between OSC and GND. FC can still multiply the frequency by 4.5 times in this mode.

In the inverter mode, OSC may also be overdriven by an external clock source that swings within 100mV of V+ and GND. Any standard CMOS logic output is suitable for driving OSC. When OSC is overdriven, FC has no effect. Also, LV must be grounded when overdriving OSC. Do not overdrive the OSC pin in the voltage doubler mode.

Note: In all modes, the frequency of the signal appearing at CAP+ and CAP- is one-half that of the oscillator. Also, an undesirable effect of lowering the oscillator frequency is the charge pump's effective output resistance. Compensate for this by increasing the value of the charge-pump capacitors (see *Capacitor Selection* section and *Typical Operating Characteristics*).

In some applications, the 5kHz output ripple frequency may be low enough to interfere with other circuitry. If desired, the oscillator frequency can then be increased by using the FC pin or an external oscillator as described above. The output ripple frequency is one-half the selected oscillator frequency. Increasing the clock frequency increases the MAX665's quiescent current, but also allows smaller capacitance values to be used for C1 and C2.

## Capacitor Selection

Three factors (in addition to load current) affect the MAX665 output voltage drop from its ideal value:

- 1) MAX665 output resistance,
- 2) Pump (C1) and reservoir (C2) capacitor ESRs,
- 3) C1 and C2 capacitance.

The voltage drop caused by MAX665 output resistance is the load current times the output resistance. Similarly, the loss in C2 is the load current times C2's ESR. The loss in C1, however, is larger because it handles currents that are greater than the load current during charge-pump operation. The voltage drop due to C1 is therefore about four times C1's ESR times the load current. Consequently, a low (or high) ESR capacitor has much greater impact on performance for C1 than for C2.

Generally, as the MAX665's pump frequency increases, the capacitance values required to maintain comparable ripple and output resistance diminish proportionately. Figure 2 shows the total circuit output resistance for various capacitor values (the pump and reservoir capacitors' values are equal) and oscillator frequencies. These curves assume  $0.25\Omega$  capacitor ESRs and a  $5.25\Omega$  MAX665 output resistance, which is why the flat portion of the curve shows a  $6.5\Omega$  ( $R_O \text{ MAX665} + 4(\text{ESR}_{C1}) + \text{ESR}_{C2}$ ) effective output resistance. Note:  $R_O = 5.25\Omega$  is used, rather than the typical  $6.5\Omega$ , because the typical specification includes the effect of the capacitors' ESRs in the test circuit.

To reduce output ripple caused by the charge pump, increase reservoir capacitor C2 and/or reduce its ESR. Also, the reservoir capacitor must have low ESR if filtering high-frequency noise at the output is important.

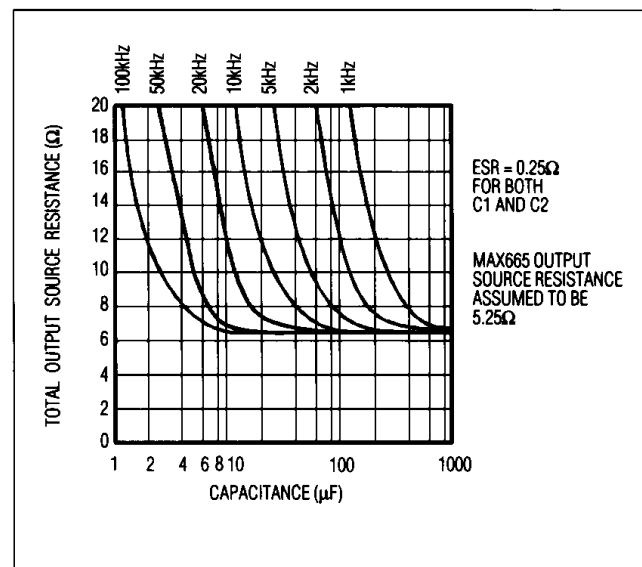


Figure 2. Total Output Source Resistance vs. C1 and C2 Capacitance (C1 = C2)



# 8V CMOS Switched-Capacitor Voltage Converter

Not all manufacturers guarantee the capacitor ESR range required by the MAX665. In general, capacitor ESR is inversely proportional to physical size, so larger capacitance values and higher voltage ratings tend to reduce ESR. The capacitors used when testing the MAX665 are MAXC001 150µF aluminum electrolytics available from Maxim. They combine low cost, a guaranteed maximum ESR of 0.2Ω at room temperature, and a low-temperature operating limit of -25°C. If operation at lower temperatures is required, certain tantalum capacitors provide good low-temperature ESR, but at added expense.

Manufacturers who provide low-ESR electrolytic capacitors include:

| MANUFACTURER       | CAPACITOR              | CAPACITOR TYPE        |
|--------------------|------------------------|-----------------------|
| Illinois Capacitor | RZS                    | Aluminum electrolytic |
| Mallory Capacitor  | TDC & TDL              | Tantalum              |
| Nichicon           | PF & PL                | Aluminum electrolytic |
| Sprague Electric   | 672D, 673D, 674D, 678D | Aluminum electrolytic |
| Sprague Electric   | 135D, 173D, 199D       | Tantalum              |
| United Chemi-Con   | LXF & SXF              | Aluminum electrolytic |

|                    |                |                    |
|--------------------|----------------|--------------------|
| Illinois Capacitor | (708) 675-1760 | FAX (708) 673-2850 |
| Mallory Capacitor  | (317) 856-3731 | FAX (317) 856-2500 |
| Nichicon           | (708) 843-7500 | FAX (708) 843-2798 |
| Sprague Electric   | (508) 339-8900 | FAX (508) 339-5063 |
| United Chemi-Con   | (708) 696-2000 | FAX (708) 640-6341 |

### Cascading Devices

To produce larger negative multiplication of the initial supply voltage, the MAX665 may be cascaded as shown in Figure 3. The resulting output resistance is approximately equal to the

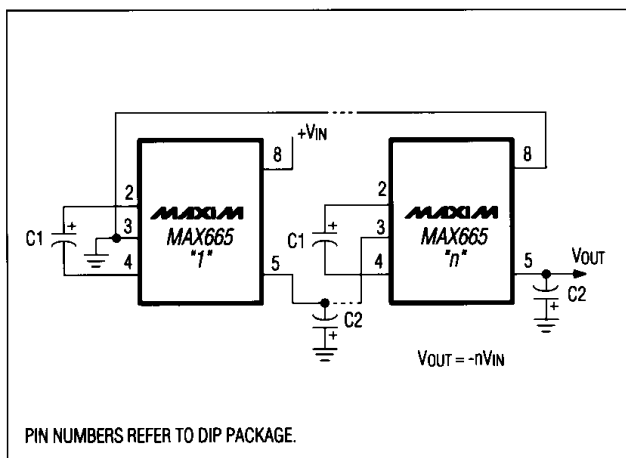


Figure 3. Cascading MAX665s to Increase Output Voltage

sum of the individual MAX665 ROUT values. The output voltage, where n is an integer representing the number of devices cascaded, is defined by  $V_{OUT} = -n(V_{IN})$ .

### Paralleling Devices

Paralleling multiple MAX665s reduces the output resistance. As illustrated in Figure 4, each device requires its own pump capacitor C1, but the reservoir capacitor C2 serves all devices. C2's value should be increased by a factor of n, where n is the number of devices. Figure 4 shows the equation for calculating output resistance.

### Combined Positive Supply Multiplication and Negative Voltage Conversion

This dual function is illustrated in Figure 5. In this circuit, capacitors C1 and C3 are pump and reservoir, respectively, for generating the negative voltage. Capacitors C2 and C4 are pump and reservoir for the multiplied positive voltage. This circuit configuration, however, leads to higher source impedances of the generated supplies. This is due to the common charge-pump driver's finite impedance.

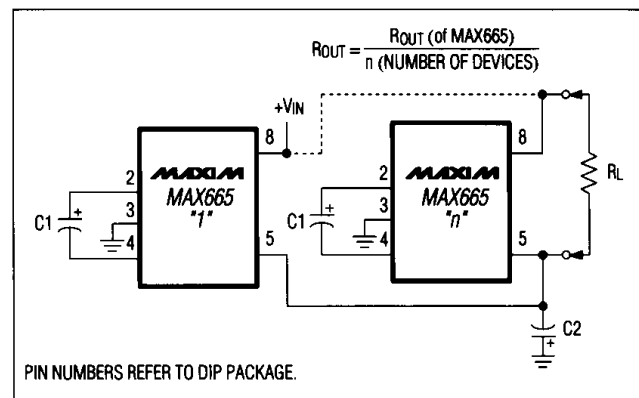


Figure 4. Paralleling MAX665s to Reduce Output Resistance

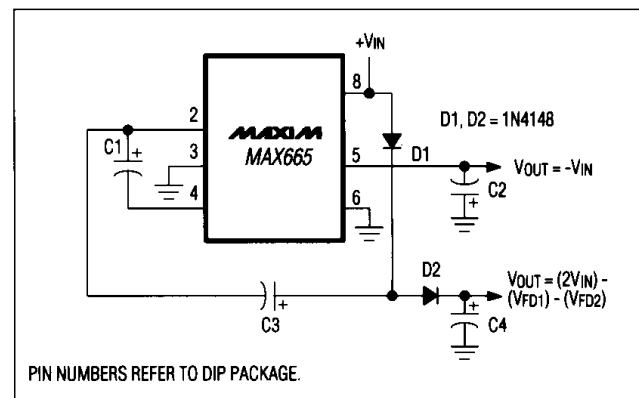


Figure 5. Combined Positive Multiplier and Negative Converter

# 8V CMOS Switched-Capacitor Voltage Converter

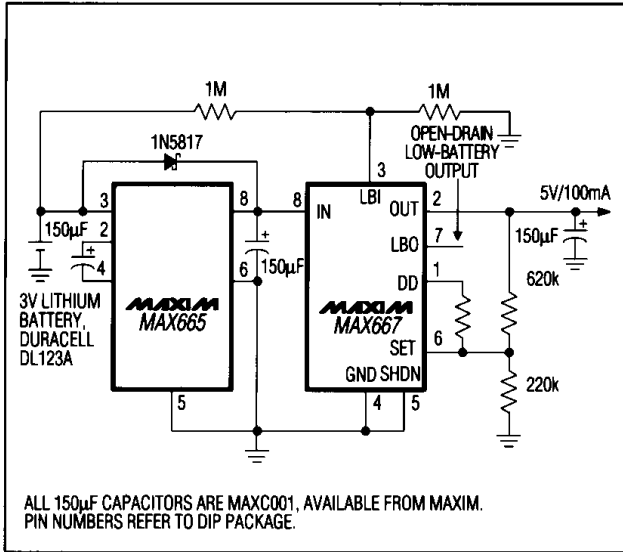
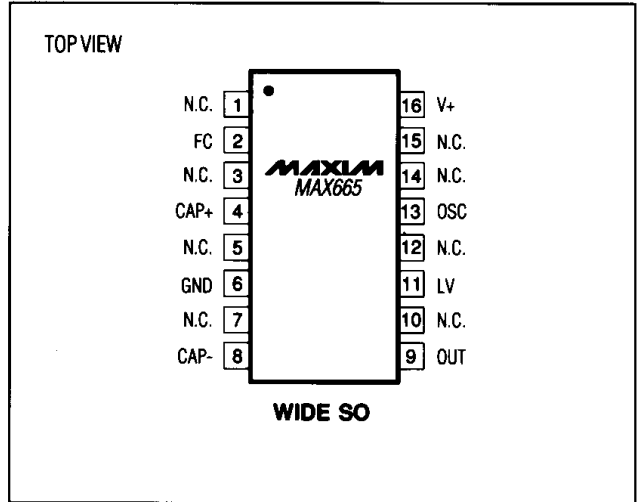
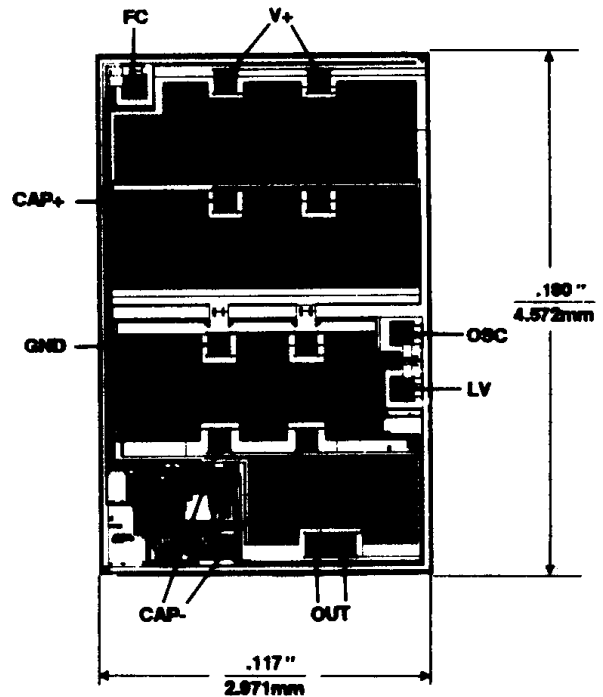


Figure 6. The MAX665 generates a +5V regulated output from a 3V lithium battery and operates for 16 hours with a 40mA load.

## Pin Configurations (continued)



## Chip Topography



SUBSTRATE CONNECTED TO V+;  
TRANSISTOR COUNT: 89.

Maxim cannot assume responsibility for use of any circuitry other than circuitry entirely embodied in a Maxim product. No circuit patent licenses are implied. Maxim reserves the right to change the circuitry and specifications without notice at any time.