

# LM2694

## 30V, 600 mA Step Down Switching Regulator

### General Description

The LM2694 Step Down Switching Regulator features all of the functions needed to implement a low cost, efficient, buck bias regulator capable of supplying 0.6A to the load. This buck regulator contains an N-Channel Buck Switch, and is available in the 3 x 3 thermally enhanced LLP-10 package and a TSSOP-14 package. The feedback regulation scheme requires no loop compensation, results in fast load transient response, and simplifies circuit implementation. The operating frequency remains constant with line and load variations due to the inverse relationship between the input voltage and the on-time. The valley current limit results in a smooth transition from constant voltage to constant current mode when current limit is detected, reducing the frequency and output voltage, without the use of foldback. Additional features include: VCC under-voltage lockout, thermal shutdown, gate drive under-voltage lockout, and maximum duty cycle limiter.

### Features

- Integrated N-Channel buck switch
- Integrated start-up regulator
- Input Voltage Range: 8V to 30V

- No loop compensation required
- Ultra-Fast transient response
- Operating frequency remains constant with load current and input voltage variations
- Maximum Duty Cycle Limited During Start-Up
- Adjustable output voltage
- Valley Current Limit At 0.6A
- Maximum switching frequency: 1 MHz
- Precision internal reference
- Low bias current
- Highly efficient operation
- Thermal shutdown

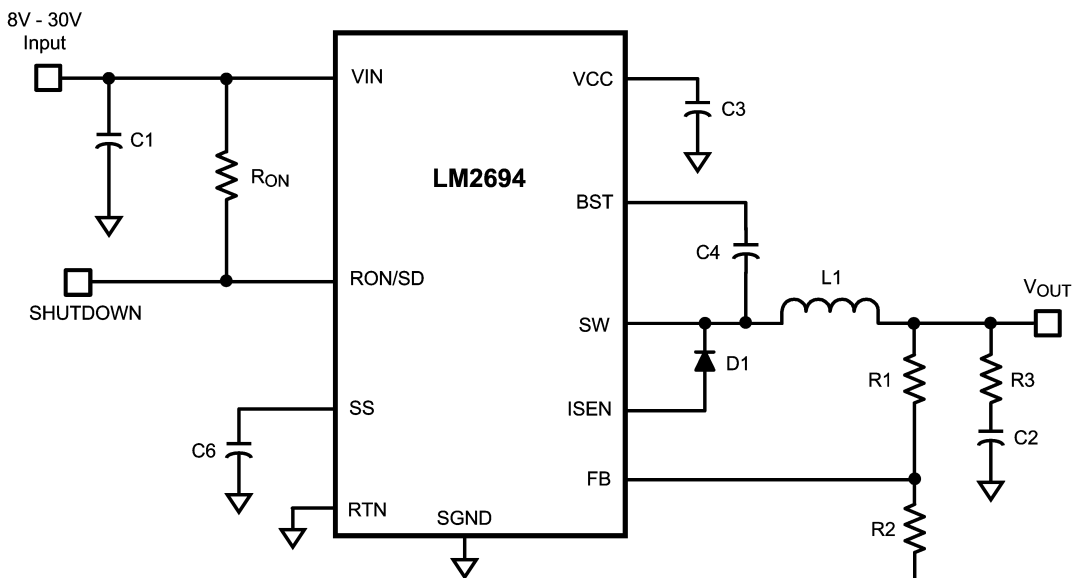
### Typical Applications

- High Efficiency Point-Of-Load (POL) Regulator
- Non-Isolated Telecommunication Buck Regulator
- Secondary High Voltage Post Regulator

### Package

- LLP-10 (3 mm x 3 mm) w/Exposed Pad
- TSSOP-14

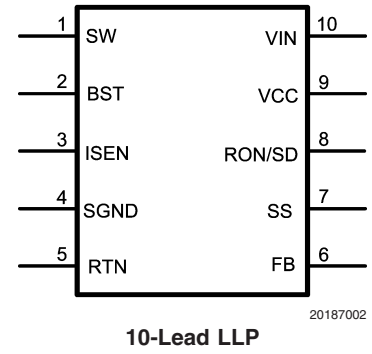
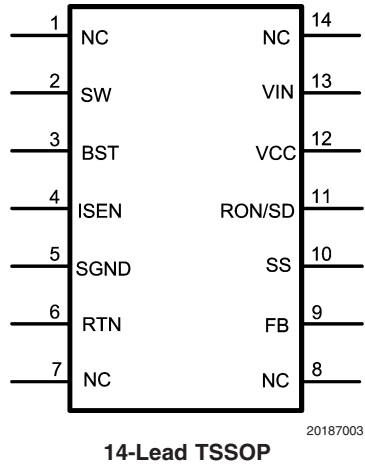
### Basic Step Down Regulator



20187001

LM2694 30V, 600 mA Step Down Switching Regulator

## Connection Diagrams



## Ordering Information

Order Number	Package Type	NSC Package Drawing	Supplied As
LM2694SD	LLP-10 (3x3)	SDA10A	1000 Units on Tape and Reel
LM2694SDX	LLP-10 (3x3)	SDA10A	4500 Units on Tape and Reel
LM2694MT	TSSOP-14	MTC14	94 Units in Rail
LM2694MTX	TSSOP-14	MTC14	2500 Units on Tape and Reel

## Pin Descriptions

PIN NUMBER		NAME	DESCRIPTION	APPLICATION INFORMATION
LLP-10	TSSOP-14			
1	2	SW	Switching Node	Internally connected to the buck switch source. Connect to the inductor, free-wheeling diode, and bootstrap capacitor.
2	3	BST	Boost pin for bootstrap capacitor	Connect a 0.022 $\mu$ F capacitor from SW to the BST pin. The capacitor is charged from VCC via an internal diode during the buck switch off-time.
3	4	ISEN	Current sense	During the buck switch off-time, the inductor current flows through the internal sense resistor, and out of the ISEN pin to the free-wheeling diode. The current limit is nominally set at 0.62A.
4	5	SGND	Current Sense Ground	Re-circulating current flows into this pin to the current sense resistor.
5	6	RTN	Circuit Ground	Ground return for all internal circuitry other than the current sense resistor.
6	9	FB	Voltage feedback input from the regulated output	Input to both the regulation and over-voltage comparators. The FB pin regulation level is 2.5V.
7	10	SS	Softstart	An internal current source charges the SS pin capacitor to 2.5V to soft-start the reference input of the regulation comparator.
8	11	RON/SD	On-time control and shutdown	An external resistor from VIN to the RON/SD pin sets the buck switch on-time. Grounding this pin shuts down the regulator.
9	12	VCC	Output of the startup regulator	The voltage at VCC is nominally regulated at 7V. Connect a 0.1 $\mu$ F, or larger capacitor from VCC to ground, as close as possible to the pins. An external voltage can be applied to this pin to reduce internal dissipation. MOSFET body diodes clamp VCC to VIN if $V_{CC} > V_{IN}$ .
10	13	VIN	Input supply voltage	Nominal input range is 8V to 30V. Input bypass capacitors should be located as close as possible to the VIN pin and RTN pins.
	1,7,8,14	NC	No connection.	No internal connection. Can be connected to ground plane to improve heat dissipation.
EP		EP	Exposed Pad	Exposed metal pad on the underside of the LLP package. It is recommended to connect this pad to the PC board ground plane to aid in heat dissipation.

**Absolute Maximum Ratings** (Note 1)

If Military/Aerospace specified devices are required, please contact the National Semiconductor Sales Office/Distributors for availability and specifications.

VIN to RTN	33V
BST to RTN	47V
SW to RTN (Steady State)	-1.5V
ESD Rating (Note 2)	
Human Body Model	2kV
BST to VCC	33V
VIN to SW	33V
BST to SW	14V

VCC to RTN	14V
SGND to RTN	-0.3V to +0.3V
SS to RTN	-0.3V to 4V
All Other Inputs to RTN	-0.3 to 7V
Storage Temperature Range	-65°C to +150°C
Junction Temperature	150°C

**Operating Ratings** (Note 1)

VIN	8.0V to 30V
Junction Temperature	-40°C to + 125°C

**Electrical Characteristics**

Specifications with standard type are for  $T_J = 25^\circ\text{C}$  only; limits in **boldface** type apply over the full Operating Junction Temperature ( $T_J$ ) range. Minimum and Maximum limits are guaranteed through test, design, or statistical correlation. Typical values represent the most likely parametric norm at  $T_J = 25^\circ\text{C}$ , and are provided for reference purposes only. Unless otherwise stated the following conditions apply:  $V_{IN} = 24\text{V}$ ,  $R_{ON} = 200\text{k}\Omega$ . See (Note 5).

Symbol	Parameter	Conditions	Min	Typ	Max	Units
<b>Start-Up Regulator, <math>V_{CC}</math></b>						
$V_{CCReg}$	$V_{CC}$ regulated output		<b>6.6</b>	7	<b>7.4</b>	V
	$V_{IN}$ - $V_{CC}$ dropout voltage	$I_{CC} = 0\text{ mA}$ , $V_{CC} = UVLO_{VCC} + 250\text{ mV}$		1.3		V
	$V_{CC}$ output impedance	$0\text{ mA} \leq I_{CC} \leq 5\text{ mA}$ , $V_{IN} = 8\text{V}$		175		$\Omega$
	$V_{CC}$ current limit (Note 3)	$V_{CC} = 0\text{V}$		9		mA
$UVLO_{VCC}$	$V_{CC}$ under-voltage lockout threshold	$V_{CC}$ increasing		5.7		V
	$UVLO_{VCC}$ hysteresis	$V_{CC}$ decreasing		150		mV
	$UVLO_{VCC}$ filter delay	100 mV overdrive		3		$\mu\text{s}$
	$I_{IN}$ operating current	Non-switching, $FB = 3\text{V}$		0.5	<b>0.8</b>	mA
	$I_{IN}$ shutdown current	$R_{ON}/SD = 0\text{V}$		90	<b>180</b>	$\mu\text{A}$
<b>Switch Characteristics</b>						
Rds(on)	Buck Switch Rds(on)	$I_{TEST} = 200\text{ mA}$		0.5	<b>1.0</b>	$\Omega$
$UVLO_{GD}$	Gate Drive $UVLO$	$V_{BST} - V_{SW}$ Increasing	<b>3.0</b>	4.4	<b>5.5</b>	V
	$UVLO_{GD}$ hysteresis			490		mV
<b>Softstart Pin</b>						
	Pull-up voltage			2.5		V
	Internal current source			12		$\mu\text{A}$
<b>Current Limit</b>						
$I_{LIM}$	Threshold	Current out of ISEN	<b>0.5</b>	0.62	<b>0.74</b>	A
	Resistance from ISEN to SGND			180		m $\Omega$
	Response time			150		ns
<b>On Timer</b>						
$t_{ON-1}$	On-time	$V_{IN} = 10\text{V}$ , $R_{ON} = 200\text{ k}\Omega$	<b>2.1</b>	2.8	<b>3.6</b>	$\mu\text{s}$
$t_{ON-2}$	On-time	$V_{IN} = 30\text{V}$ , $R_{ON} = 200\text{ k}\Omega$		900		ns
	Shutdown threshold	Voltage at $R_{ON}/SD$ rising	<b>0.45</b>	0.8	<b>1.2</b>	V
	Threshold hysteresis	Voltage at $R_{ON}/SD$ falling		35		mV
<b>Off Timer</b>						
$t_{OFF}$	Minimum Off-time			265		ns
<b>Regulation and Over-Voltage Comparators (FB Pin)</b>						
$V_{REF}$	FB regulation threshold	SS pin = steady state	<b>2.440</b>	2.5	<b>2.550</b>	V
	FB over-voltage threshold			2.9		V

**Electrical Characteristics** Specifications with standard type are for  $T_J = 25^\circ\text{C}$  only; limits in **boldface** type apply over the full Operating Junction Temperature ( $T_J$ ) range. Minimum and Maximum limits are guaranteed through test, design, or statistical correlation. Typical values represent the most likely parametric norm at  $T_J = 25^\circ\text{C}$ , and are provided for reference purposes only. Unless otherwise stated the following conditions apply:  $V_{IN} = 24\text{V}$ ,  $R_{ON} = 200\text{k}\Omega$ . See (Note 5). (Continued)

Symbol	Parameter	Conditions	Min	Typ	Max	Units
	FB bias current			1		nA
<b>Thermal Shutdown</b>						
$T_{SD}$	Thermal shutdown temperature			175		$^\circ\text{C}$
	Thermal shutdown hysteresis			20		$^\circ\text{C}$
<b>Thermal Resistance</b>						
$\theta_{JA}$	Junction to Ambient 0 LFPM Air Flow	LLP Package		33		$^\circ\text{C/W}$
		TSSOP Package		40		
$\theta_{JC}$	Junction to Case	LLP Package		8.8		$^\circ\text{C/W}$
		TSSOP Package		5.2		

**Note 1:** Absolute Maximum Ratings are limits beyond which damage to the device may occur. Operating Ratings are conditions under which operation of the device is intended to be functional. For guaranteed specifications and test conditions, see the Electrical Characteristics.

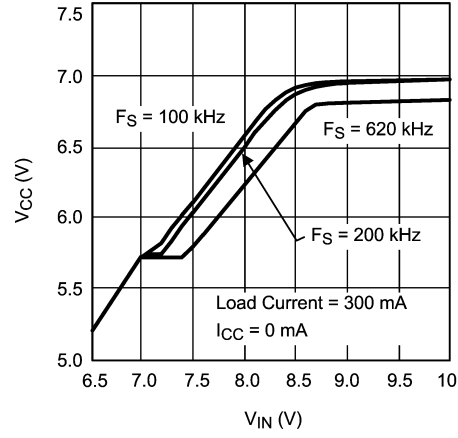
**Note 2:** The human body model is a 100pF capacitor discharged through a 1.5k $\Omega$  resistor into each pin.

**Note 3:**  $V_{CC}$  provides self bias for the internal gate drive and control circuits. Device thermal limitations limit external loading

**Note 4:** For detailed information on soldering plastic TSSOP and LLP packages, refer to the Packaging Data Book available from National Semiconductor Corporation.

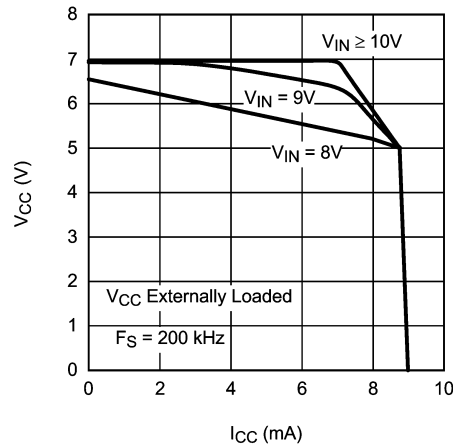
**Note 5:** Typical specifications represent the most likely parametric norm at 25 $^\circ\text{C}$  operation.

# Typical Performance Characteristics



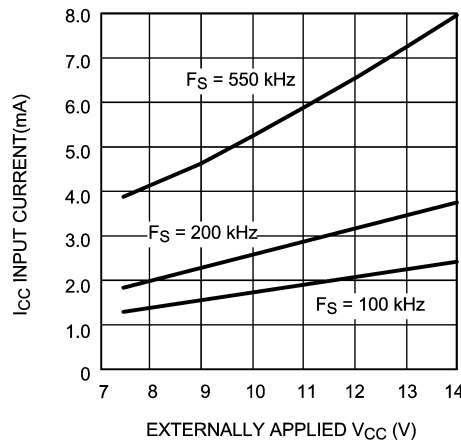
20187004

FIGURE 1.  $V_{CC}$  vs  $V_{IN}$



20187005

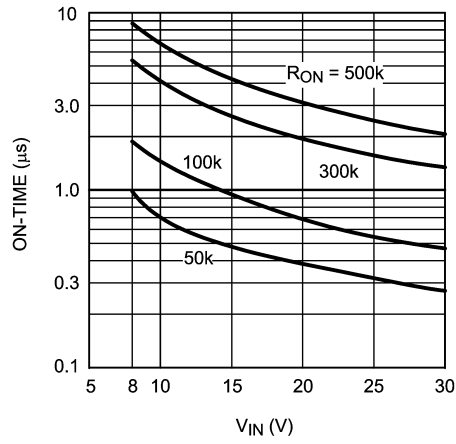
FIGURE 2.  $V_{CC}$  vs  $I_{CC}$



20187006

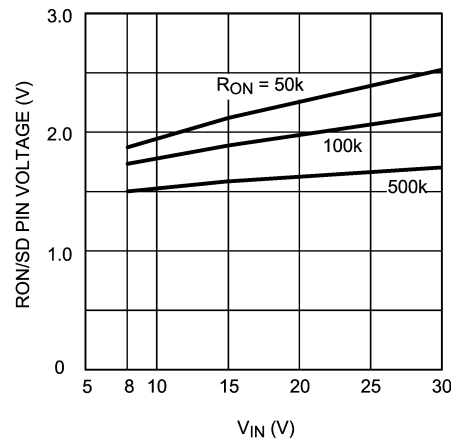
FIGURE 3.  $I_{CC}$  vs Externally Applied  $V_{CC}$

Typical Performance Characteristics (Continued)



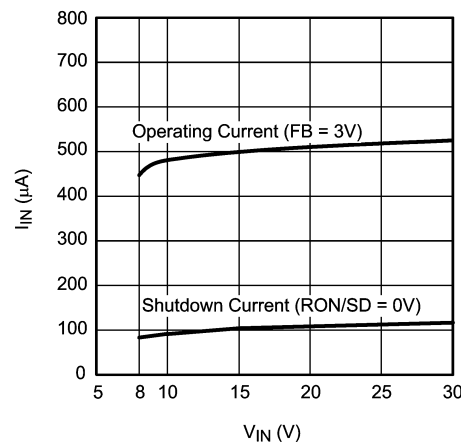
20187007

FIGURE 4. ON-Time vs V<sub>IN</sub> and R<sub>ON</sub>



20187008

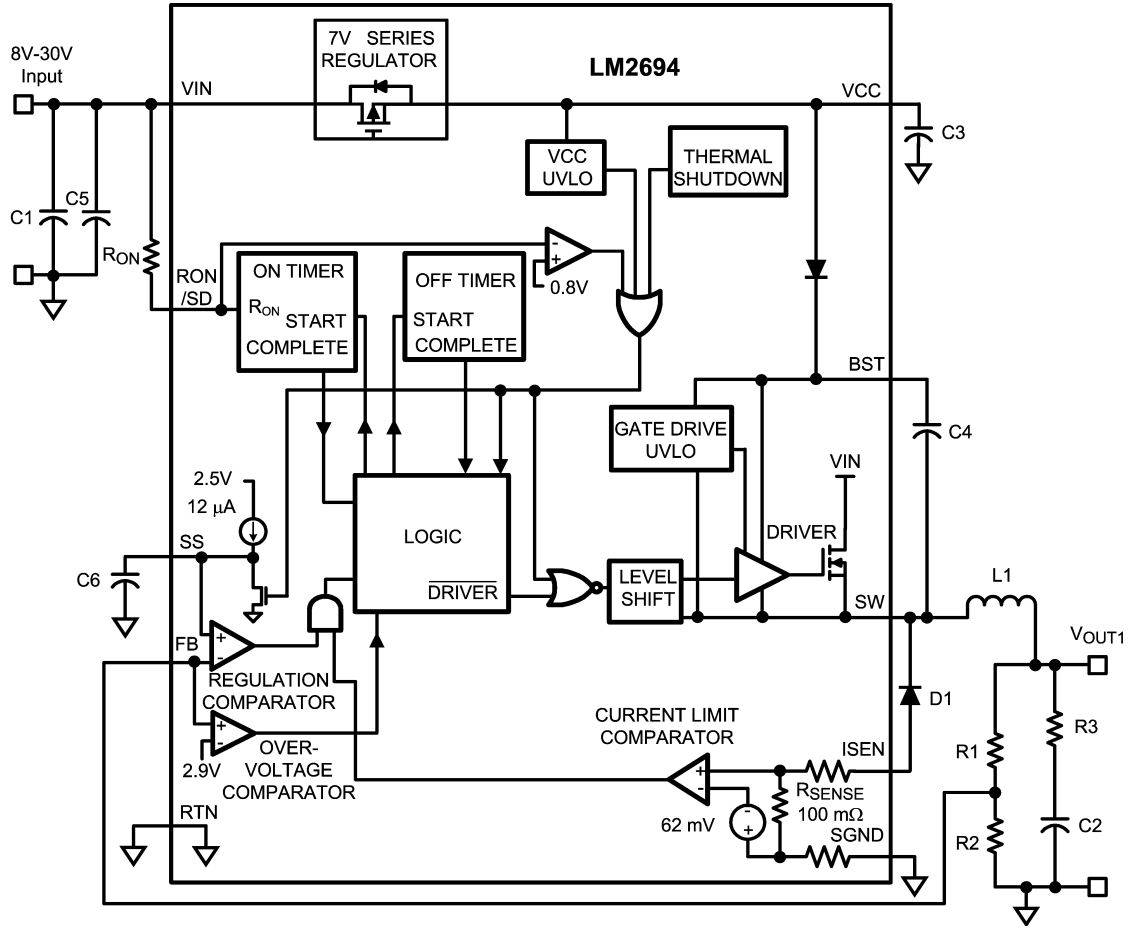
FIGURE 5. Voltage at R<sub>ON</sub>/SD Pin



20187009

FIGURE 6. I<sub>IN</sub> vs V<sub>IN</sub>

### Typical Application Circuit and Block Diagram

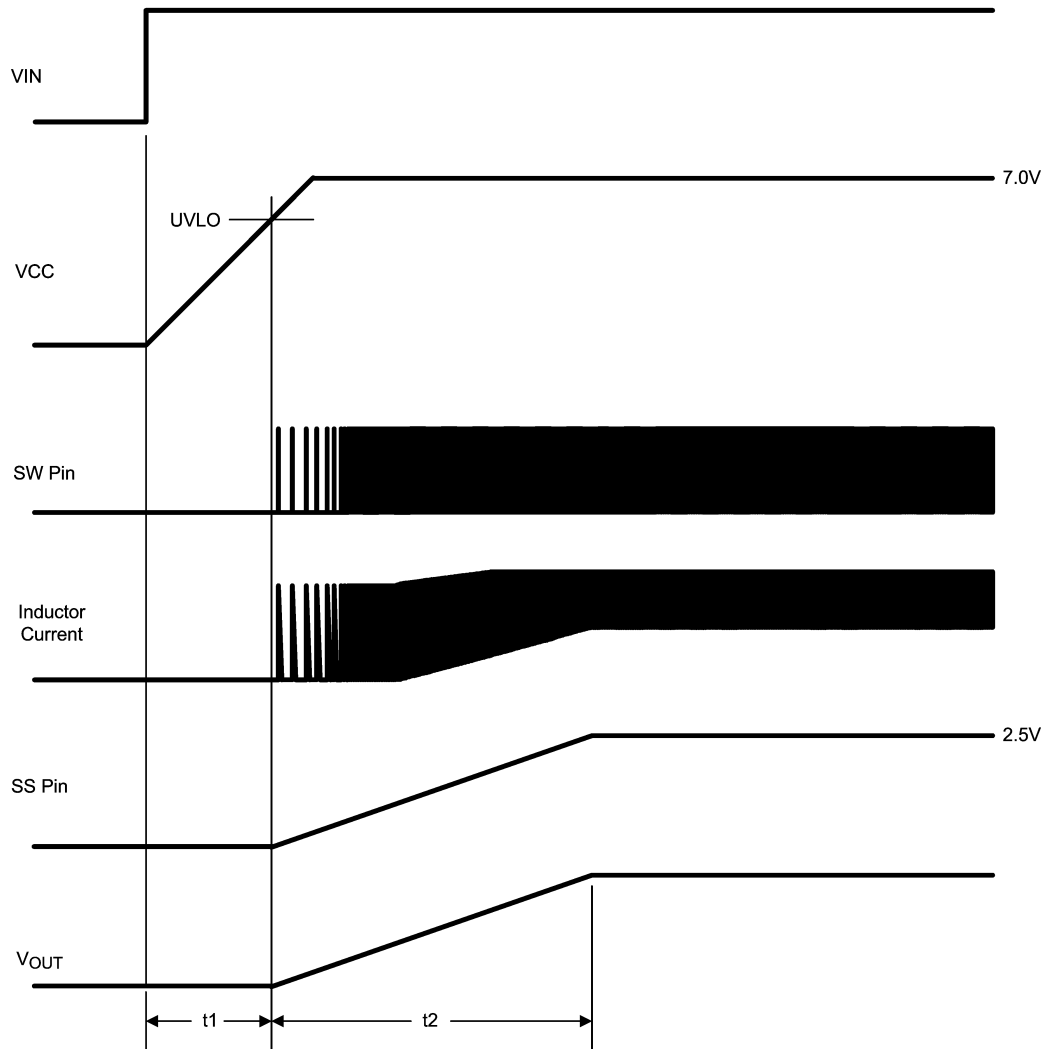


20187010

FIGURE 7.



## Typical Application Circuit and Block Diagram (Continued)



20187011

FIGURE 8. Startup Sequence

## Functional Description

The LM2694 Step Down Switching Regulator features all the functions needed to implement a low cost, efficient buck bias power converter capable of supplying at least 0.6A to the load. This high voltage regulator contains a 30V N-Channel buck switch, is easy to implement, and is available in the TSSOP-14 and the thermally enhanced LLP-10 packages. The regulator's operation is based on a constant on-time control scheme, where the on-time is determined by  $V_{IN}$ . This feature allows the operating frequency to remain relatively constant with load and input voltage variations. The feedback control requires no loop compensation resulting in very fast load transient response. The valley current limit detection circuit, internally set at 0.62A, holds the buck switch off until the high current level subsides. This scheme protects against excessively high currents if the output is short-circuited when  $V_{IN}$  is high. The functional block diagram is shown in *Figure 7*.

The LM2694 can be applied in numerous applications to efficiently regulate down higher voltages. Additional features include: Thermal shutdown,  $V_{CC}$  under-voltage lockout, gate drive under-voltage lockout, and maximum duty cycle limiter.

## Control Circuit Overview

The LM2694 buck DC-DC regulator employs a control scheme based on a comparator and a one-shot on-timer, with the output voltage feedback (FB) compared to an internal reference (2.5V). If the FB voltage is below the reference the buck switch is turned on for a time period determined by the input voltage and a programming resistor ( $R_{ON}$ ). Following the on-time the switch remains off for a minimum of 265 ns, and until the FB voltage falls below the reference. The buck switch then turns on for another on-time period. Typically, during start-up, or when the load current increases suddenly, the off-times are at the minimum of 265 ns. Once regulation is established, the off-times are longer.

When in regulation, the LM2694 operates in continuous conduction mode at heavy load currents and discontinuous conduction mode at light load currents. In continuous conduction mode current always flows through the inductor, never reaching zero during the off-time. In this mode the operating frequency remains relatively constant with load and line variations. The minimum load current for continuous conduction mode is one-half the inductor's ripple current amplitude. The operating frequency is approximately:

$$F_s = \frac{V_{OUT} \times (V_{IN} - 1.5V)}{1.14 \times 10^{-10} \times (R_{ON} + 1.4 \text{ k}\Omega) \times V_{IN}} \quad (1)$$

The buck switch duty cycle is equal to:

$$DC = \frac{t_{ON}}{t_{ON} + t_{OFF}} = \frac{V_{OUT}}{V_{IN}} = t_{ON} \times F_s \quad (2)$$

In discontinuous conduction mode current through the inductor ramps up from zero to a peak during the on-time, then ramps back to zero before the end of the off-time. The next on-time period starts when the voltage at FB falls below the

reference - until then the inductor current remains zero, and the load current is supplied by the output capacitor (C2). In this mode the operating frequency is lower than in continuous conduction mode, and varies with load current. Conversion efficiency is maintained at light loads since the switching losses reduce with the reduction in load and frequency. The approximate discontinuous operating frequency can be calculated as follows:

$$F_s = \frac{V_{OUT}^2 \times L1 \times 1.54 \times 10^{20}}{R_L \times (R_{ON})^2} \quad (3)$$

where  $R_L$  = the load resistance.

The output voltage is set by two external resistors (R1, R2). The regulated output voltage is calculated as follows:

$$V_{OUT} = 2.5 \times (R1 + R2) / R2$$

Output voltage regulation is based on ripple voltage at the feedback input, requiring a minimum amount of ESR for the output capacitor C2. The LM2694 requires a minimum of 25 mV of ripple voltage at the FB pin. In cases where the capacitor's ESR is insufficient additional series resistance may be required (R3 in *Figure 7*).

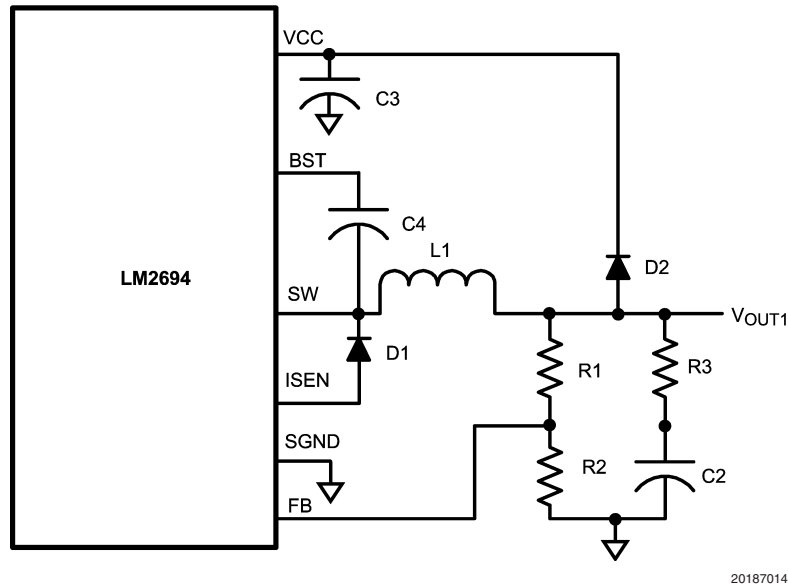
## Start-Up Regulator, $V_{CC}$

The start-up regulator is integral to the LM2694. The input pin (VIN) can be connected directly to line voltage up to 30V, with transient capability to 33V. The  $V_{CC}$  output regulates at 7.0V, and is current limited at 9 mA. Upon power up, the regulator sources current into the external capacitor at VCC (C3). When the voltage on the VCC pin reaches the under-voltage lockout threshold of 5.7V, the buck switch is enabled and the Softstart pin is released to allow the Softstart capacitor (C6) to charge up.

The minimum input voltage is determined by the regulator's dropout voltage, the  $V_{CC}$  UVLO falling threshold ( $\approx 5.5V$ ), and the frequency. When  $V_{CC}$  falls below the falling threshold the  $V_{CC}$  UVLO activates to shut off the output. If  $V_{CC}$  is externally loaded, the minimum input voltage increases.

To reduce power dissipation in the start-up regulator, an auxiliary voltage can be diode connected to the  $V_{CC}$  pin. Setting the auxiliary voltage to between 8V and 14V shuts off the internal regulator, reducing internal power dissipation. The sum of the auxiliary voltage and the input voltage ( $V_{CC} + V_{IN}$ ) cannot exceed 47V. Internally, a diode connects VCC to VIN. See *Figure 9*.

## Start-Up Regulator, $V_{CC}$ (Continued)



20187014

FIGURE 9. Self Biased Configuration

## Regulation Comparator

The feedback voltage at FB is compared to the voltage at the Softstart pin (2.5V). In normal operation (the output voltage is regulated), an on-time period is initiated when the voltage at FB falls below 2.5V. The buck switch stays on for the programmed on-time, causing the FB voltage to rise above 2.5V. After the on-time period, the buck switch stays off until the FB voltage falls below 2.5V. Input bias current at the FB pin is less than 100 nA over temperature.

## Over-Voltage Comparator

The voltage at FB is compared to an internal 2.9V reference. If the voltage at FB rises above 2.9V the on-time pulse is immediately terminated. This condition can occur if the input voltage or the output load changes suddenly, or if the inductor (L1) saturates. The buck switch remains off until the voltage at FB falls below 2.5V.

## ON-Time Timer, and Shutdown

The on-time for the LM2694 is determined by the  $R_{ON}$  resistor and the input voltage ( $V_{IN}$ ), and is calculated from:

$$t_{ON} = \frac{1.14 \times 10^{-10} \times (R_{ON} + 1.4 \text{ k}\Omega)}{V_{IN} - 1.5\text{V}} + 95 \text{ ns} \quad (4)$$

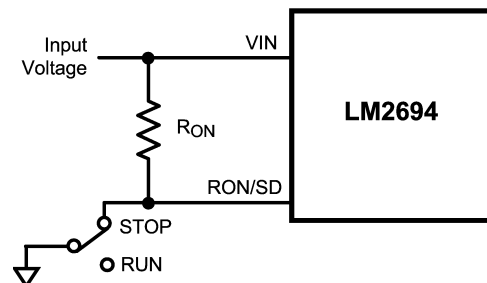
See Figure 4. The inverse relationship with  $V_{IN}$  results in a nearly constant frequency as  $V_{IN}$  is varied. To set a specific continuous conduction mode switching frequency ( $F_S$ ), the  $R_{ON}$  resistor is determined from the following:

$$R_{ON} = \frac{V_{OUT} \times (V_{IN} - 1.5\text{V})}{F_S \times 1.14 \times 10^{-10} \times V_{IN}} - 1.4 \text{ k}\Omega \quad (5)$$

In high frequency applications the minimum value for  $t_{ON}$  is limited by the maximum duty cycle required for regulation and the minimum off-time of 265 ns,  $\pm 15\%$ . The minimum off-time limits the maximum duty cycle achievable with a low voltage at  $V_{IN}$ . The minimum allowed on-time to regulate the desired  $V_{OUT}$  at the minimum  $V_{IN}$  is determined from the following:

$$t_{ON(\min)} = \frac{V_{OUT} \times 305 \text{ ns}}{(V_{IN(\min)} - V_{OUT})} \quad (6)$$

The LM2694 can be remotely shut down by taking the RON/SD pin below 0.8V. See Figure 10. In this mode the SS pin is internally grounded, the on-timer is disabled, and bias currents are reduced. Releasing the RON/SD pin allows normal operation to resume. The voltage at the RON/SD pin is normally between 1.5V and 3.0V, depending on  $V_{IN}$  and the  $R_{ON}$  resistor.



20187019

FIGURE 10. Shutdown Implementation

## Current Limit

Current limit detection occurs during the off-time by monitoring the recirculating current through the free-wheeling diode (D1). Referring to *Figure 7*, when the buck switch is turned off the inductor current flows through the load, into SGND, through the sense resistor, out of ISEN and through D1. If that current exceeds 0.62A the current limit comparator output switches to delay the start of the next on-time period if the voltage at FB is below 2.5V. The next on-time starts when the current out of ISEN is below 0.62A and the voltage at FB is below 2.5V. If the overload condition persists causing the inductor current to exceed 0.62A during each on-time, that is detected at the beginning of each off-time. The operating frequency is lower due to longer-than-normal off-times.

*Figure 11* illustrates the inductor current waveform. During normal operation the load current is  $I_o$ , the average of the ripple waveform. When the load resistance decreases the current ratchets up until the lower peak reaches 0.62A. During the Current Limited portion of *Figure 11*, the current ramps down to 0.62A during each off-time, initiating the next on-time (assuming the voltage at FB is  $<2.5V$ ). During each on-time the current ramps up an amount equal to:

$$\Delta I = (V_{IN} - V_{OUT}) \times t_{ON} / L1$$

During this time the LM2694 is in a constant current mode, with an average load current ( $I_{OCL}$ ) equal to  $0.62A + \Delta I/2$ .

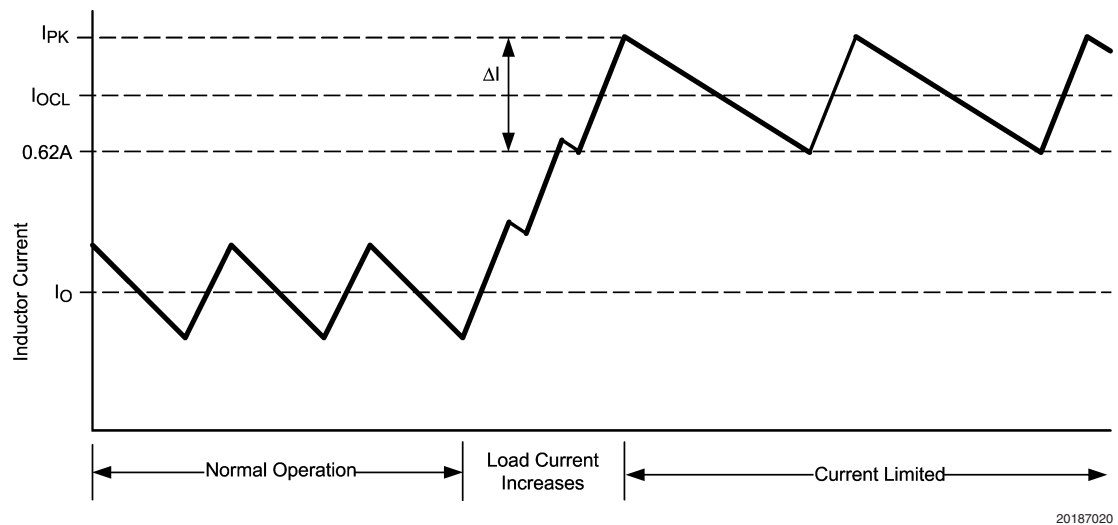


FIGURE 11. Inductor Current - Current Limit Operation

## N - Channel Buck Switch and Driver

The LM2694 integrates an N-Channel buck switch and associated floating high voltage gate driver. The peak current allowed through the buck switch is 1.5A, and the maximum allowed average current is 1A. The gate driver circuit works in conjunction with an external bootstrap capacitor and an internal high voltage diode. A 0.022  $\mu F$  capacitor (C4) connected between BST and SW provides the voltage to the driver during the on-time. During each off-time, the SW pin is at approximately -1V, and C4 charges from  $V_{CC}$  through the internal diode. The minimum off-time of 265 ns ensures a minimum time each cycle to recharge the bootstrap capacitor.

## Softstart

The softstart feature allows the converter to gradually reach a steady state operating point, thereby reducing start-up stresses and current surges. Upon turn-on, after  $V_{CC}$  reaches the under-voltage threshold, an internal 12  $\mu A$  current source charges up the external capacitor at the SS pin to 2.5V. The ramping voltage at SS (and the non-inverting input of the regulation comparator) ramps up the output voltage in a controlled manner.

An internal switch grounds the SS pin if  $V_{CC}$  is below the under-voltage lockout threshold, if a thermal shutdown occurs, or if the RON/SD pin is grounded.

## Thermal Shutdown

The LM2694 should be operated so the junction temperature does not exceed 125°C. If the junction temperature increases, an internal Thermal Shutdown circuit, which activates (typically) at 175°C, takes the controller to a low power reset state by disabling the buck switch and the on-timer, and grounding the Softstart pin. This feature helps prevent catastrophic failures from accidental device overheating. When the junction temperature reduces below 155°C (typical hysteresis = 20°C), the Softstart pin is released and normal operation resumes.

## Applications Information

### EXTERNAL COMPONENTS

The procedure for calculating the external components is illustrated with a design example. Referring to the Block Diagram, the circuit is to be configured for the following specifications:

- $V_{OUT} = 5V$
- $V_{IN} = 8V$  to  $30V$

## Applications Information (Continued)

- $F_S = 250 \text{ kHz}$
- Minimum load current = 100 mA
- Maximum load current = 600 mA
- Softstart time = 5 ms.

**R1 and R2:** These resistors set the output voltage, and their ratio is calculated from:

$$R1/R2 = (V_{OUT}/2.5V) - 1 \quad (7)$$

R1/R2 calculates to 1.0. The resistors should be chosen from standard value resistors in the range of 1.0 k $\Omega$  - 10 k $\Omega$ . A value of 2.5 k $\Omega$  will be used for R1 and for R2.

**R<sub>ON</sub>, F<sub>S</sub>:** R<sub>ON</sub> can be chosen using Equation 5 to set the nominal frequency, or from Equation 4 if the on-time at a particular V<sub>IN</sub> is important. A higher frequency generally means a smaller inductor and capacitors (value, size and cost), but higher switching losses. A lower frequency means

a higher efficiency, but with larger components. Generally, if PC board space is tight, a higher frequency is better. The resulting on-time and frequency have a  $\pm 25\%$  tolerance. Using equation 5 at a V<sub>IN</sub> of 8V,

$$R_{ON} = \frac{5V \times (8V - 1.5V)}{8V \times 250 \text{ kHz} \times 1.14 \times 10^{-10}} - 1.4 \text{ k}\Omega = 141 \text{ k}\Omega$$

A value of 140 k $\Omega$  will be used for R<sub>ON</sub>, yielding a nominal frequency of 252 kHz.

**L1:** The guideline for choosing the inductor value in this example is that it must keep the circuit's operation in continuous conduction mode at minimum load current. This is not a strict requirement since the LM2694 regulates correctly when in discontinuous conduction mode, although at a lower frequency. However, to provide an initial value for L1 the above guideline will be used.

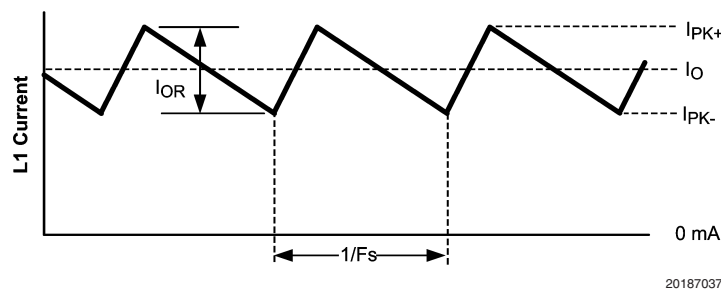


FIGURE 12. Inductor Current

To keep the circuit in continuous conduction mode, the maximum allowed ripple current is twice the minimum load current, or 200 mA-p-p. Using this value of ripple current, the inductor (L1) is calculated using the following:

$$L1 = \frac{V_{OUT} \times (V_{IN(max)} - V_{OUT})}{I_{OR} \times F_{S(min)} \times V_{IN(max)}} \quad (8)$$

where  $F_{S(min)}$  is the minimum frequency of 189 kHz (252 kHz - 25%).

$$L1 = \frac{5V \times (30V - 5V)}{0.2A \times 189 \text{ kHz} \times 30V} = 110 \mu\text{H}$$

This provides a minimum value for L1 - the next higher standard value (150  $\mu\text{H}$ ) will be used. To prevent saturation, and possible destructive current levels, L1 must be rated for the peak current which occurs if the current limit and maximum ripple current are reached simultaneously. The maximum ripple amplitude is calculated by re-arranging Equation 8 using V<sub>IN(max)</sub>, F<sub>S(min)</sub>, and the minimum inductor value, based on the manufacturer's tolerance. Assume, for this exercise, the inductor's tolerance is  $\pm 20\%$ .

$$I_{OR(max)} = \frac{V_{OUT} \times (V_{IN(max)} - V_{OUT})}{L1_{MIN} \times F_{S(min)} \times V_{IN(max)}} \quad (9)$$

$$I_{OR(max)} = \frac{5V \times (30V - 5V)}{120 \mu\text{H} \times 189 \text{ kHz} \times 30V} = 184 \text{ mA-p-p}$$

$$I_{PK} = I_{LIM} + I_{OR(max)} = 0.74A + 0.18A = 0.92A$$

where  $I_{LIM}$  is the maximum guaranteed current limit threshold. At the nominal maximum load current of 0.6A, the peak inductor current is 692 mA.

**C1:** This capacitor limits the ripple voltage at V<sub>IN</sub> resulting from the source impedance of the supply feeding this circuit, and the on/off nature of the switch current into V<sub>IN</sub>. At maximum load current, when the buck switch turns on, the current into V<sub>IN</sub> steps up from zero to the lower peak of the inductor current waveform ( $I_{PK-}$  in Figure 12), ramps up to the peak value ( $I_{PK+}$ ), then drops to zero at turn-off. The average current into V<sub>IN</sub> during this on-time is the load current. For a worst case calculation, C1 must supply this average current during the maximum on-time. The maximum on-time is calculated at V<sub>IN</sub> = 8V using Equation 4, with a 25% tolerance added:

$$t_{ON(max)} = \left[ \frac{1.14 \times 10^{-10} \times (140k + 1.4k)}{8V - 1.5V} + 95 \text{ ns} \right] \times 1.25 = 3.22 \mu\text{s}$$

The voltage at V<sub>IN</sub> should not be allowed to drop below 7.5V in order to maintain V<sub>CC</sub> above its UVLO.

$$C1 = \frac{I_O \times t_{ON}}{\Delta V} = \frac{0.6A \times 3.22 \mu\text{s}}{0.5V} = 3.8 \mu\text{F}$$

## Applications Information (Continued)

Normally a lower value can be used for C1 since the above calculation is a worst case calculation which assumes the power source has a high source impedance. A quality ceramic capacitor with a low ESR should be used for C1.

**C2 and R3:** Since the LM2694 requires a minimum of 25 mVp-p of ripple at the FB pin for proper operation, the required ripple at V<sub>OUT</sub> is increased by R1 and R2, and is equal to:

$$V_{\text{RIPPLE}} = 25 \text{ mVp-p} \times (R1 + R2)/R2 = 50 \text{ mVp-p}$$

This necessary ripple voltage is created by the inductor ripple current acting on C2's ESR + R3. First, the minimum ripple current, which occurs at minimum V<sub>IN</sub>, maximum inductor value, and maximum frequency, is determined.

$$\begin{aligned} I_{\text{OR}(\text{min})} &= \frac{V_{\text{OUT}} \times (V_{\text{IN}(\text{min})} - V_{\text{OUT}})}{L1_{\text{max}} \times F_{\text{S}(\text{max})} \times V_{\text{IN}(\text{min})}} \\ &= \frac{5\text{V} \times (8\text{V} - 5\text{V})}{180 \mu\text{H} \times 315 \text{ kHz} \times 8\text{V}} = 33 \text{ mA-p-p} \end{aligned} \quad (10)$$

The minimum ESR for C2 is then equal to:

$$\text{ESR}_{(\text{min})} = \frac{50 \text{ mV}}{33 \text{ mA}} = 1.5\Omega$$

If the capacitor used for C2 does not have sufficient ESR, R3 is added in series as shown in *Figure 7*. The value chosen for C2 is application dependent, and it is recommended that it be no smaller than 3.3 μF. C2 affects the ripple at V<sub>OUT</sub>, and transient response. Experimentation is usually necessary to determine the optimum value for C2.

**C3:** The capacitor at the VCC pin provides noise filtering and stability, prevents false triggering of the V<sub>CC</sub> UVLO at the buck switch on/off transitions, and limits the peak voltage at V<sub>CC</sub> when a high voltage with a short rise time is initially applied at V<sub>IN</sub>. C3 should be no smaller than 0.1 μF, and

should be a good quality, low ESR, ceramic capacitor, physically close to the IC pins.

**C4:** The recommended value for C4 is 0.022 μF. A high quality ceramic capacitor with low ESR is recommended as C4 supplies the surge current to charge the buck switch gate at each turn-on. A low ESR also ensures a complete re-charge during each off-time.

**C5:** This capacitor suppresses transients and ringing due to lead inductance at V<sub>IN</sub>. A low ESR, 0.1 μF ceramic chip capacitor is recommended, located physically close to the LM2694.

**C6:** The capacitor at the SS pin determines the soft-start time, i.e. the time for the reference voltage at the regulation comparator, and the output voltage, to reach their final value. The capacitor value is determined from the following:

$$C6 = \frac{t_{\text{SS}} \times 12 \mu\text{A}}{2.5\text{V}}$$

For a 5 ms softstart time, C6 calculates to 0.024 μF.

**D1:** A Schottky diode is recommended. Ultra-fast recovery diodes are not recommended as the high speed transitions at the SW pin may inadvertently affect the IC's operation through external or internal EMI. The diode should be rated for the maximum V<sub>IN</sub> (30V), the maximum load current (0.6A), and the peak current which occurs when current limit and maximum ripple current are reached simultaneously (I<sub>PK</sub> in *Figure 11*), previously calculated to be 0.92A. The diode's forward voltage drop affects efficiency due to the power dissipated during the off-time. The average power dissipation in D1 is calculated from:

$$P_{\text{D1}} = V_F \times I_O \times (1 - D)$$

where I<sub>O</sub> is the load current, and D is the duty cycle.

### FINAL CIRCUIT

The final circuit is shown in *Figure 13*, and its performance is shown in *Figure 14* and *Figure 15*. Current limit measured approximately 0.64A.

## Applications Information (Continued)

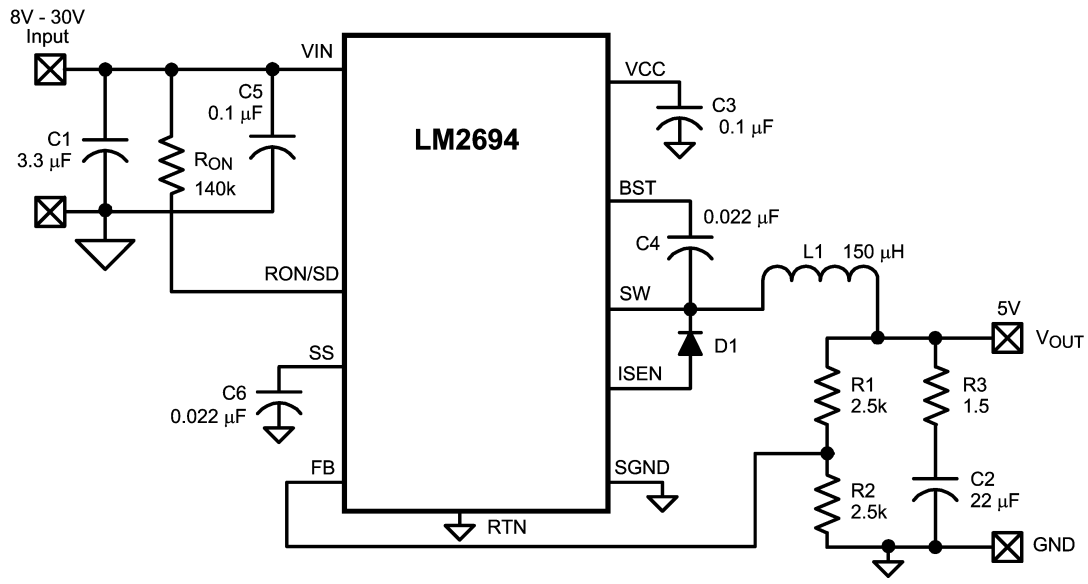
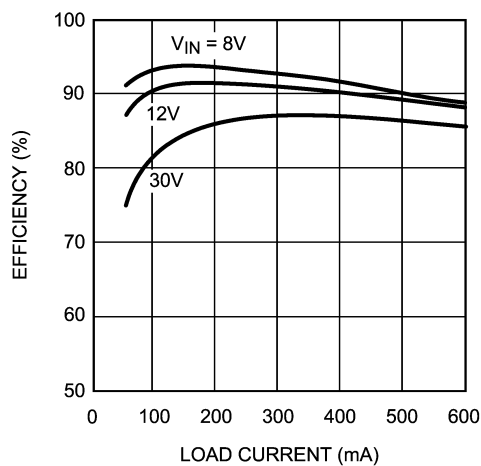


FIGURE 13. Example Circuit

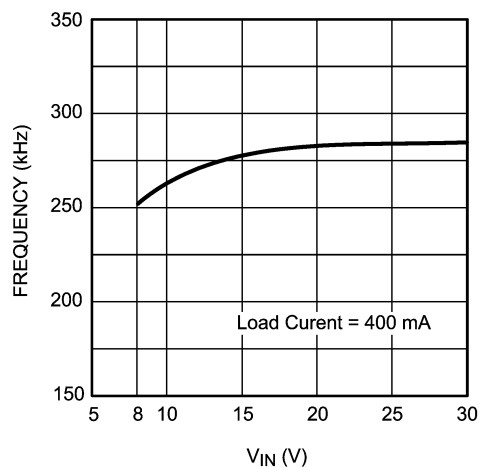
## Applications Information (Continued)

Item	Description	Value
C1	Ceramic Capacitor	3.3 $\mu$ F, 50V
C2	Ceramic Capacitor	22 $\mu$ F, 16V
C4, C6	Ceramic Capacitor	0.022 $\mu$ F, 16V
C3, C5	Ceramic Capacitor	0.1 $\mu$ F, 50V
D1	Schottky Diode	60V, 1A
L1	Inductor	150 $\mu$ H
R1	Resistor	2.5 k $\Omega$
R2	Resistor	2.5 k $\Omega$
R3	Resistor	1.5 $\Omega$
R <sub>ON</sub>	Resistor	140 k $\Omega$
U1	National Semi LM2694	



20187032

FIGURE 14. Efficiency vs Load Current and  $V_{IN}$   
Circuit of Figure 13



20187033

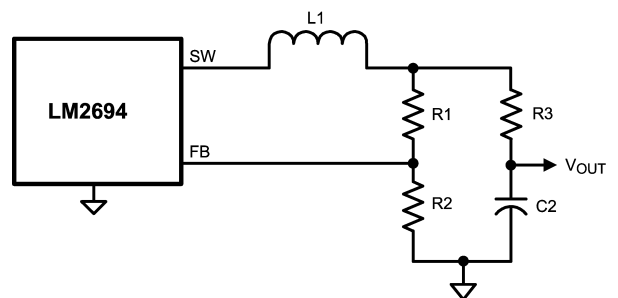
FIGURE 15. Frequency vs  $V_{IN}$   
Circuit of Figure 13

### MINIMUM LOAD CURRENT

The LM2694 requires a minimum load current of 500  $\mu$ A. If the load current falls below that level, the bootstrap capacitor (C4) may discharge during the long off-time, and the circuit will either shutdown, or cycle on and off at a low frequency. If the load current is expected to drop below 500  $\mu$ A in the application, R1 and R2 should be chosen low enough in value so they provide the minimum required current at nominal  $V_{OUT}$ .

### LOW OUTPUT RIPPLE CONFIGURATIONS

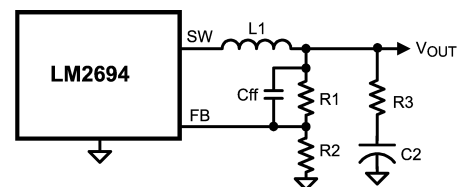
For applications where low output voltage ripple is required the output can be taken directly from the low ESR output capacitor (C2) as shown in Figure 16. However, R3 slightly degrades the load regulation. The specific component values, and the application determine if this is suitable.



20187034

FIGURE 16. Low Ripple Output

Where the circuit of Figure 16 is not suitable for reducing output ripple, the circuits of Figure 17 or Figure 18 can be used.



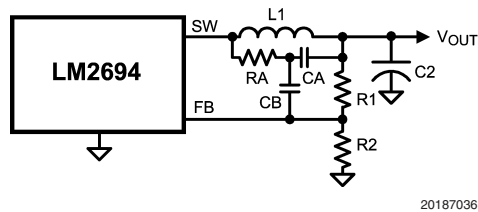
20187035

FIGURE 17. Low Output Ripple Using a Feedforward Capacitor



## Applications Information (Continued)

In *Figure 17*,  $C_{ff}$  is added across  $R_1$  to AC-couple the ripple at  $V_{OUT}$  directly to the FB pin. This allows the ripple at  $V_{OUT}$  to be reduced, in some cases considerably, by reducing  $R_3$ . In the circuit of *Figure 13*, the ripple at  $V_{OUT}$  ranged from 50 mVp-p at  $V_{IN} = 8V$  to 100 mVp-p at  $V_{IN} = 30V$ . By adding a 2700 pF capacitor at  $C_{ff}$  and reducing  $R_3$  to  $0.75\Omega$ , the  $V_{OUT}$  ripple is reduced by 50%.



20187036

**FIGURE 18. Minimum Output Ripple Using Ripple Injection**

To reduce  $V_{OUT}$  ripple further, the circuit of *Figure 18* can be used.  $R_3$  has been removed, and the output ripple amplitude is determined by  $C_2$ 's ESR and the inductor ripple current.  $R_A$  and  $C_A$  are chosen to generate a 40-50 mVp-p sawtooth at their junction, and that voltage is AC-coupled to the FB pin via  $C_B$ . In selecting  $R_A$  and  $C_A$ ,  $V_{OUT}$  is considered a virtual ground as the SW pin switches between  $V_{IN}$  and  $-1V$ . Since the on-time at SW varies inversely with  $V_{IN}$ , the waveform amplitude at the  $R_A/C_A$  junction is relatively constant. Typical values for the additional components are  $R_A = 110k$ ,  $C_A = 2700$  pF, and  $C_B = 0.01$   $\mu F$ .

### PC BOARD LAYOUT and THERMAL CONSIDERATIONS

The LM2694 regulation, over-voltage, and current limit comparators are very fast, and will respond to short duration noise pulses. Layout considerations are therefore critical for optimum performance. The layout must be as neat and compact as possible, and all the components must be as

close as possible to their associated pins. The two major current loops have currents which switch very fast, and so the loops should be as small as possible to minimize conducted and radiated EMI. The first loop is that formed by  $C_1$ , through the  $V_{IN}$  to SW pins,  $L_1$ ,  $C_2$ , and back to  $C_1$ . The second loop is that formed by  $D_1$ ,  $L_1$ ,  $C_2$ , and the SGND and ISEN pins. The ground connection from  $C_2$  to  $C_1$  should be as short and direct as possible, preferably without going through vias. Directly connect the SGND and RTN pin to each other, and they should be connected as directly as possible to the  $C_1/C_2$  ground line without going through vias. The power dissipation within the IC can be approximated by determining the total conversion loss ( $P_{IN} - P_{OUT}$ ), and then subtracting the power losses in the free-wheeling diode and the inductor. The power loss in the diode is approximately:

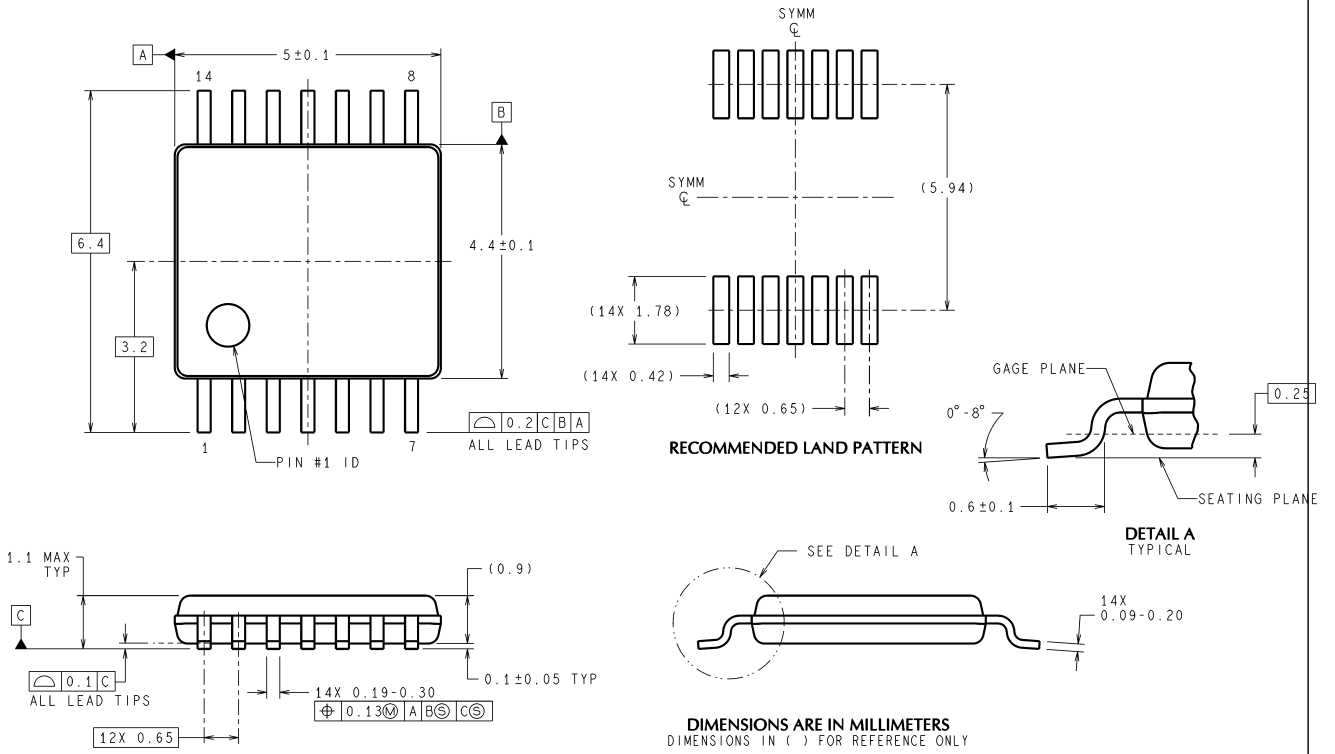
$$P_{D1} = I_O \times V_F \times (1-D)$$

where  $I_O$  is the load current,  $V_F$  is the diode's forward voltage drop, and  $D$  is the duty cycle. The power loss in the inductor is approximately:

$$P_{L1} = I_O^2 \times R_L \times 1.1$$

where  $R_L$  is the inductor's DC resistance, and the 1.1 factor is an approximation for the AC losses. If it is expected that the internal dissipation of the LM2694 will produce high junction temperatures during normal operation, good use of the PC board's ground plane can help considerably to dissipate heat. The exposed pad on the LLP package bottom should be soldered to a ground plane, and that plane should both extend from beneath the IC, and be connected to exposed ground plane on the board's other side using as many vias as possible. The exposed pad is internally connected to the IC substrate. The use of wide PC board traces at the pins, where possible, can help conduct heat away from the IC. The four No Connect pins on the TSSOP package are not electrically connected to any part of the IC, and may be connected to ground plane to help dissipate heat from the package. Judicious positioning of the PC board within the end product, along with the use of any available air flow (forced or natural convection) can help reduce the junction temperature.

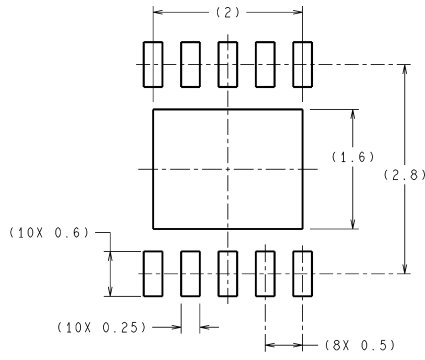
**Physical Dimensions** inches (millimeters) unless otherwise noted



**14-Lead TSSOP-14 Package**  
**NS Package Number MTC14**

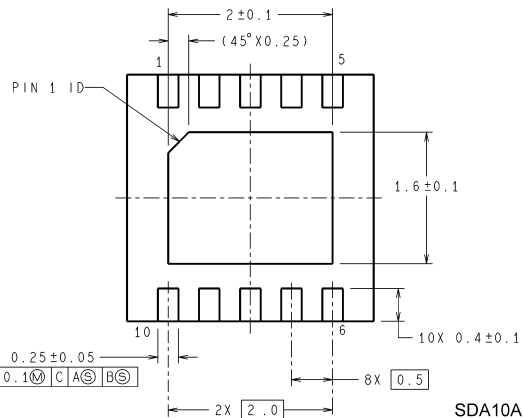
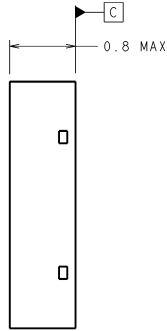
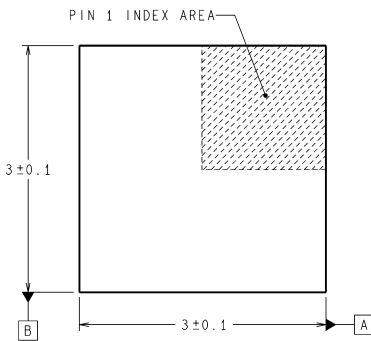
MTC14 (Rev D)

**Physical Dimensions** inches (millimeters) unless otherwise noted (Continued)



RECOMMENDED LAND PATTERN

DIMENSIONS ARE IN MILLIMETERS  
DIMENSIONS IN ( ) FOR REFERENCE ONLY



SDA10A (Rev A)

**10-Lead LLP Package**  
**NS Package Number SDA10A**

National does not assume any responsibility for use of any circuitry described, no circuit patent licenses are implied and National reserves the right at any time without notice to change said circuitry and specifications.

For the most current product information visit us at [www.national.com](http://www.national.com).

**LIFE SUPPORT POLICY**

NATIONAL'S PRODUCTS ARE NOT AUTHORIZED FOR USE AS CRITICAL COMPONENTS IN LIFE SUPPORT DEVICES OR SYSTEMS WITHOUT THE EXPRESS WRITTEN APPROVAL OF THE PRESIDENT AND GENERAL COUNSEL OF NATIONAL SEMICONDUCTOR CORPORATION. As used herein:

1. Life support devices or systems are devices or systems which, (a) are intended for surgical implant into the body, or (b) support or sustain life, and whose failure to perform when properly used in accordance with instructions for use provided in the labeling, can be reasonably expected to result in a significant injury to the user.
2. A critical component is any component of a life support device or system whose failure to perform can be reasonably expected to cause the failure of the life support device or system, or to affect its safety or effectiveness.

**BANNED SUBSTANCE COMPLIANCE**

National Semiconductor manufactures products and uses packing materials that meet the provisions of the Customer Products Stewardship Specification (CSP-9-111C2) and the Banned Substances and Materials of Interest Specification (CSP-9-111S2) and contain no "Banned Substances" as defined in CSP-9-111S2.

Leadfree products are RoHS compliant.



**National Semiconductor**  
**Americas Customer Support Center**  
Email: [new.feedback@nsc.com](mailto:new.feedback@nsc.com)  
Tel: 1-800-272-9959

**National Semiconductor**  
**Europe Customer Support Center**  
Fax: +49 (0) 180-530 85 86  
Email: [europe.support@nsc.com](mailto:europe.support@nsc.com)  
Deutsch Tel: +49 (0) 69 9508 6208  
English Tel: +44 (0) 870 24 0 2171  
Français Tel: +33 (0) 1 41 91 8790

**National Semiconductor**  
**Asia Pacific Customer Support Center**  
Email: [ap.support@nsc.com](mailto:ap.support@nsc.com)

**National Semiconductor**  
**Japan Customer Support Center**  
Fax: 81-3-5639-7507  
Email: [jpn.feedback@nsc.com](mailto:jpn.feedback@nsc.com)  
Tel: 81-3-5639-7560

[www.national.com](http://www.national.com)