



# Low-Cost, Wide Input Range, Step-Down Controllers with Foldback Current Limit

## General Description

The MAX8545/MAX8546/MAX8548 are voltage-mode pulse-width-modulated (PWM), step-down DC-DC controllers ideal for a variety of cost-sensitive applications. They drive low-cost n-channel MOSFETs for both the high-side switch and synchronous rectifier, and require no external current-sense resistor. These devices can supply output voltages as low as 0.8V.

The MAX8545/MAX8546/MAX8548 have a wide 2.7V to 28V input range, and do not need any additional bias voltage. The output voltage can be precisely regulated from 0.8V to  $0.83 \times V_{IN}$ . These devices can provide efficiency up to 95%. Lossless short-circuit and current-limit protection is provided by monitoring the  $R_{DS(ON)}$  of the low-side MOSFET. The MAX8545 and MAX8548 have a current-limit threshold of 320mV, while the MAX8546 has a current-limit threshold of 165mV. All devices feature foldback-current capability to minimize power dissipation under short-circuit condition. Pulling the COMP/EN pin low with an open-collector or low-capacitance, open-drain device can shut down all devices.

The MAX8545/MAX8546 operate at 300kHz and the MAX8548 operates at 100kHz. The MAX8545/MAX8546/MAX8548 are compatible with low-cost aluminum electrolytic capacitors. Input undervoltage lockout prevents proper operation under power-sag operations to prevent external MOSFETs from overheating. Internal soft-start is included to reduce inrush current. These devices are offered in space-saving 10-pin  $\mu$ MAX<sup>®</sup> packages.

## Applications

Set-Top Boxes	Notebook Docking Station Supplies
Graphic Card and Video Supplies	Cable Modems and Routers
Desktops and Desknotes	Networking Power Supplies
PCI Express Power Supplies	Telecom Power Supplies

## Ordering Information

PART	TEMP RANGE	PIN-PACKAGE	PKG CODE
MAX8545EUB	-40°C to +85°C	10 $\mu$ MAX	U10-2
MAX8545EUB+	-40°C to +85°C	10 $\mu$ MAX	U10-2
MAX8546EUB	-40°C to +85°C	10 $\mu$ MAX	U10-2
MAX8546EUB+	-40°C to +85°C	10 $\mu$ MAX	U10-2
MAX8548EUB	-40°C to +85°C	10 $\mu$ MAX	U10-2
MAX8548EUB+	-40°C to +85°C	10 $\mu$ MAX	U10-2

+ Denotes a lead-free package.

$\mu$ MAX is a registered trademark of Maxim Integrated Products, Inc.



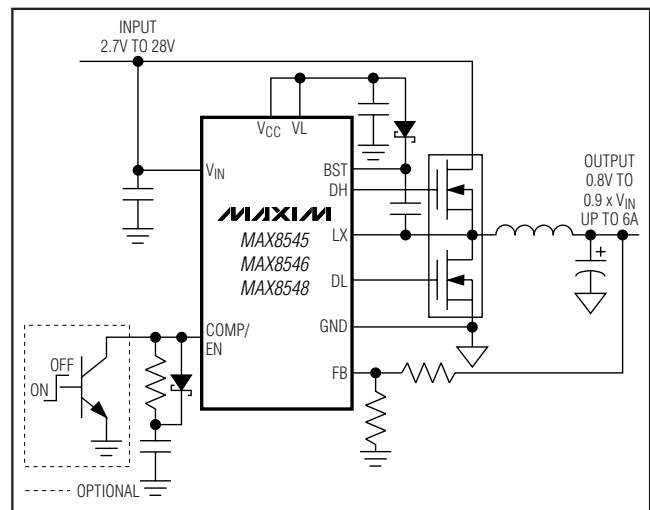
## Features

- ◆ 2.7V to 28V Input Range
- ◆ Foldback Short-Circuit Protection
- ◆ No Additional Bias Supply Needed
- ◆ 0.8V to  $0.83 \times V_{IN}$  Output
- ◆ Up to 95% Efficiency
- ◆ Low-Cost External Components
- ◆ No Current-Sense Resistor
- ◆ All n-Channel MOSFET Design
- ◆ Adaptive Gate Drivers Eliminate Shoot-Through
- ◆ Lossless Overcurrent and Short-Circuit Protection
- ◆ 300kHz Switching Frequency (MAX8545/MAX8546)
- ◆ 100kHz Switching Frequency (MAX8548)
- ◆ Pin-Compatible with the MAX1967
- ◆ Thermal Shutdown

## Selector Guide

PART	SWITCHING FREQUENCY (kHz)	CURRENT-LIMIT THRESHOLD (mV)
MAX8545	300	-320
MAX8546	300	-165
MAX8548	100	-320

## Typical Operating Circuit



Pin Configuration appears at end of data sheet.

MAX8545/MAX8546/MAX8548

For pricing, delivery, and ordering information, please contact Maxim Direct at 1-888-629-4642, or visit Maxim's website at [www.maxim-ic.com](http://www.maxim-ic.com).

# Low-Cost, Wide Input Range, Step-Down Controllers with Foldback Current Limit

## ABSOLUTE MAXIMUM RATINGS

(All voltages referenced to GND unless otherwise noted.)

V <sub>IN</sub> to GND	-0.3V to +30V
V <sub>CC</sub> to GND	-0.3V, lower of 6V or (V <sub>L</sub> + 0.3V)
FB to GND	-0.3V to +6V
BST to GND	-0.3V to +36V
V <sub>L</sub> , DL, COMP to GND	-0.3V to (V <sub>CC</sub> + 0.3V)
BST to LX	-0.3V to +6V
DH to LX	-0.3V to (V <sub>BST</sub> + 0.3V)
V <sub>L</sub> Short to GND	5s

LX to GND	-1V to +30V
Input Current (any pin)	±50mA
Continuous Power Dissipation (T <sub>A</sub> = +70°C)	10-Pin $\mu$ MAX (derate 5.6mW/°C above +70°C) .....444mW
Operating Temperature Range	-40°C to +85°C
Junction Temperature	+150°C
Storage Temperature Range	-65°C to +150°C
Lead Temperature (soldering, 10s)	+300°C

Stresses beyond those listed under "Absolute Maximum Ratings" may cause permanent damage to the device. These are stress ratings only, and functional operation of the device at these or any other conditions beyond those indicated in the operational sections of the specifications is not implied. Exposure to absolute maximum rating conditions for extended periods may affect device reliability.

## ELECTRICAL CHARACTERISTICS

(V<sub>IN</sub> = V<sub>L</sub> = V<sub>CC</sub> = 5V, T<sub>A</sub> = -40°C to +85°C, unless otherwise noted. Typical values are at T<sub>A</sub> = +25°C.)

PARAMETER	SYMBOL	CONDITIONS	MIN	TYP	MAX	UNITS
V <sub>IN</sub> Operating Range	V <sub>IN</sub>	V <sub>CC</sub> = V <sub>L</sub> , V <sub>IN</sub> separate from V <sub>CC</sub>	4.9		28.0	V
		V <sub>IN</sub> = V <sub>L</sub> = V <sub>CC</sub>	2.7		5.5	
V <sub>IN</sub> Undervoltage Lockout (UVLO) Trip Level		Rising and falling edge, hysteresis = 2%	2.35	2.50	2.66	V
V <sub>IN</sub> Operating Supply Current		V <sub>FB</sub> = 0.88V (no switching)		0.7	1.2	mA
V <sub>L</sub> Output Voltage		5.5V < V <sub>IN</sub> < 28V, V <sub>CC</sub> = V <sub>L</sub> , 1mA < I <sub>LOAD</sub> < 25mA	4.7	5	5.3	V
Thermal Shutdown		Rising temperature, typical hysteresis = 10°C (Note 1)		+160		°C
<b>OSCILLATOR</b>						
Frequency	f <sub>OSC</sub>	MAX8545, MAX8546	250	300	360	kHz
		MAX8548	80	100	120	
Minimum Duty Cycle	DC <sub>MIN</sub>	DH output, MAX8545, MAX8546			5	%
		MAX8548			10	
Maximum Duty Cycle	DC <sub>MAX</sub>	DH output, MAX8545, MAX8546	83	86		%
		MAX8548	90	95		
<b>SOFT-START</b>						
Digital Ramp Period		MAX8545, MAX8546		6.6		ms
		MAX8548		10.2		
Soft-Start Levels		MAX8545, MAX8546		V <sub>OUT</sub> / 64		V
		MAX8548		V <sub>OUT</sub> / 32		

# Low-Cost, Wide Input Range, Step-Down Controllers with Foldback Current Limit

MAX8545/MAX8546/MAX8548

## ELECTRICAL CHARACTERISTICS (continued)

( $V_{IN} = V_L = V_{CC} = 5V$ ,  $T_A = -40^{\circ}C$  to  $+85^{\circ}C$ , unless otherwise noted. Typical values are at  $T_A = +25^{\circ}C$ .)

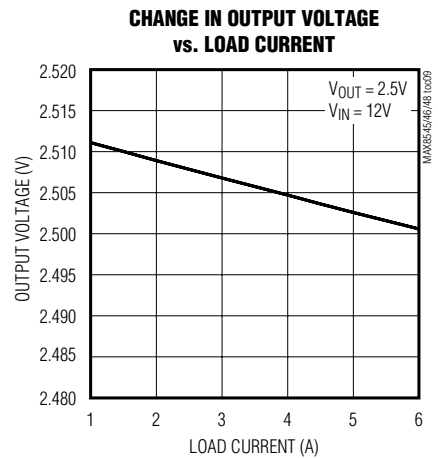
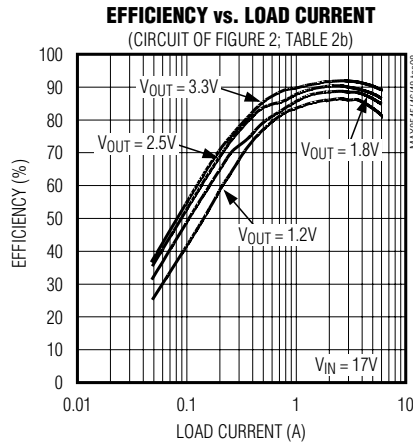
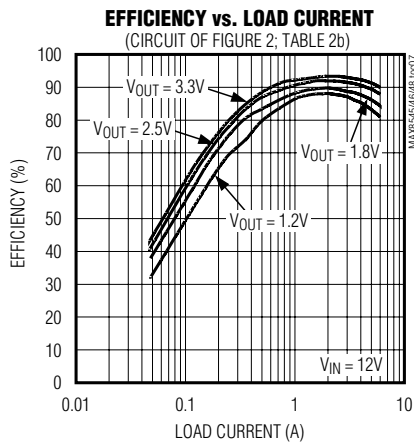
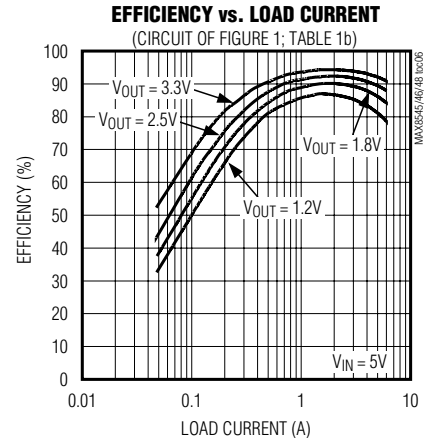
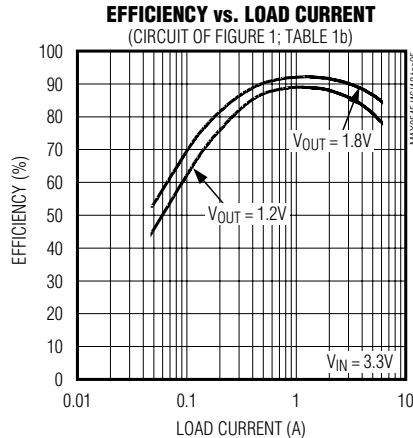
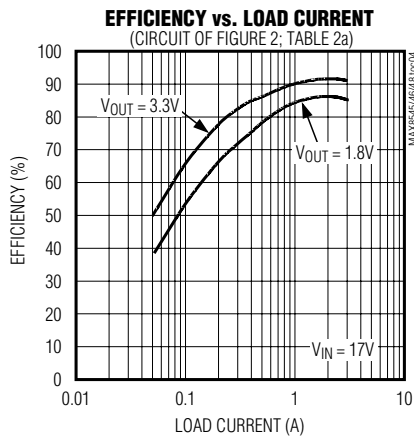
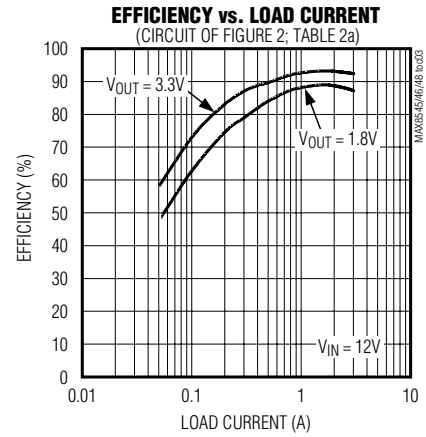
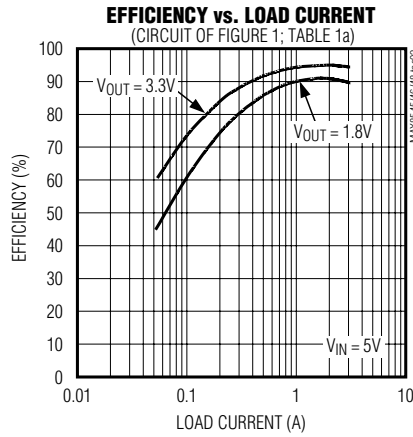
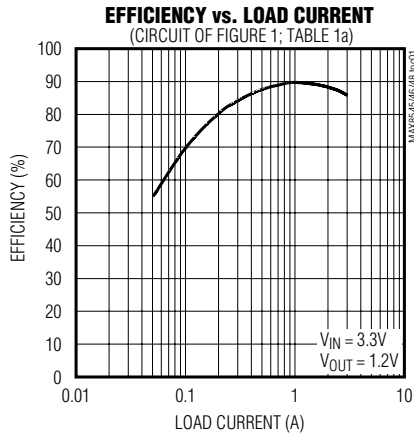
PARAMETER	SYMBOL	CONDITIONS	MIN	TYP	MAX	UNITS
<b>ERROR AMPLIFIER</b>						
FB Regulation Voltage		2.7V < $V_{CC}$ < 5.5V, 0°C to +85°C	0.787	0.800	0.815	V
		2.7V < $V_{CC}$ < 5.5V, -40°C to +85°C	0.782	0.800	0.815	
FB to COMP/EN Gain			4000			V/V
FB to COMP/EN Transconductance		-5 $\mu$ A < $I_{COMP/EN}$ < +5 $\mu$ A	70	108	160	$\mu$ S
FB Input Bias Current		$V_{FB} = 0.88V$		1	2	$\mu$ A
COMP/EN Source Current		$V_{COMP/EN} = 0V$	15	46	100	$\mu$ A
Current-Limit Threshold Voltage (Across Low-Side MOSFET)		LX to GND, MAX8545, MAX8548, $V_{FB} = 0.8V$	-355	-320	-280	mV
		LX to GND MAX8546, $V_{FB} = 0.8V$	-185	-165	-140	
Foldback Current-Limit Threshold Voltage (Across Low-Side MOSFET) When Output is Short		LX to GND, $V_{FB} = 0V$ , MAX8545, MAX8548	-105	-75	-45	mV
		MAX8546, LX to GND, $V_{FB} = 0$	-53	-38	-22	
<b>MOSFET DRIVERS</b>						
Break-Before-Make Time		Rising edge, DH going low to DL going high	96			ns
		Falling edge, DL going low to DH going high	28			
DH On-Resistance in Low State			1.6	4		$\Omega$
DH On-Resistance in High State			2.5	5.5		$\Omega$
DL On-Resistance in Low State			1.1	2.5		$\Omega$
DL On-Resistance in High State			2.5	5.5		$\Omega$
BST Leakage Current		$V_{BST} = 33V$ , $V_{LX} = 28V$ , $V_{FB} = 0.88V$		0	50	$\mu$ A
LX Leakage Current		$V_{BST} = 33V$ , $V_{LX} = 28V$ , $V_{FB} = 0.88V$		33	100	$\mu$ A

**Note 1:** Thermal shutdown disables the buck regulator when the die reaches this temperature. Soft-start is reset but the VL regulator remains on.

# Low-Cost, Wide Input Range, Step-Down Controllers with Foldback Current Limit

## Typical Operating Characteristics

( $V_{IN} = V_L = V_{CC} = 5V$ , typical values are at  $T_A = +25^\circ C$ , unless otherwise noted.)

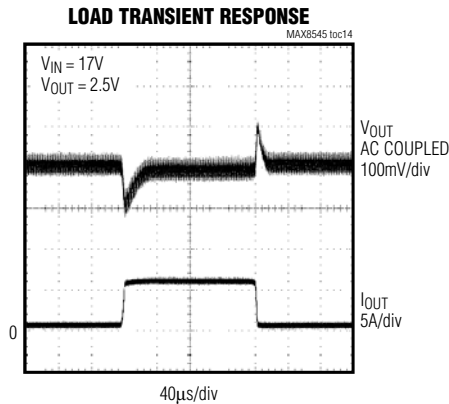
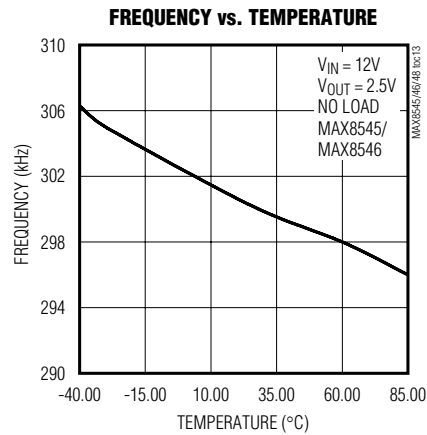
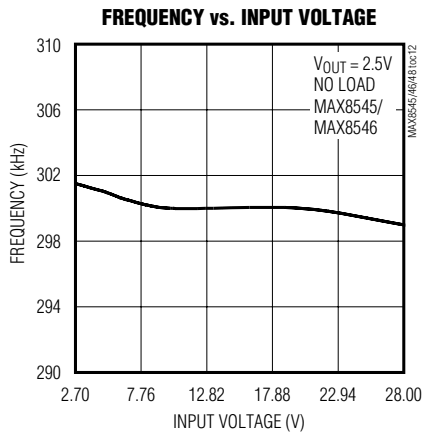
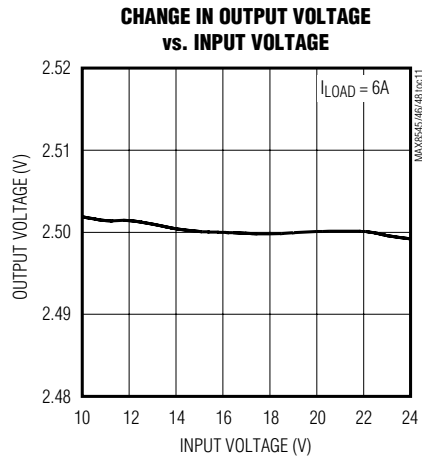
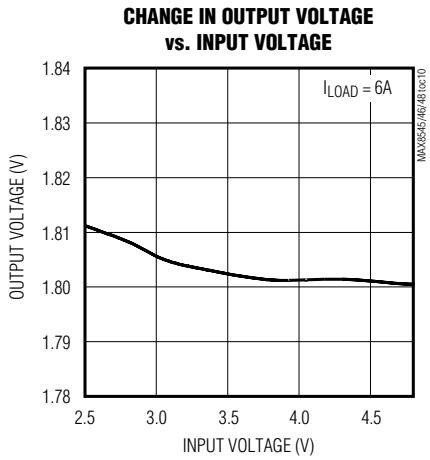


# Low-Cost, Wide Input Range, Step-Down Controllers with Foldback Current Limit

## Typical Operating Characteristics (continued)

( $V_{IN} = V_L = V_{CC} = 5V$ , typical values are at  $T_A = +25^\circ C$ , unless otherwise noted.)

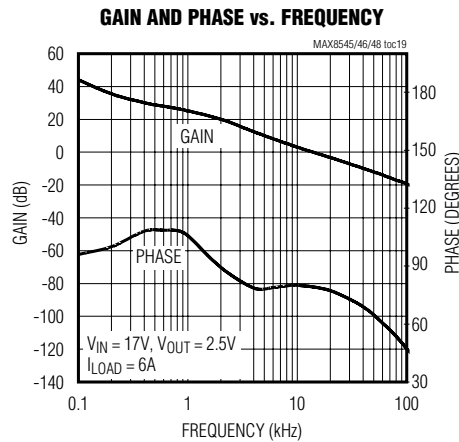
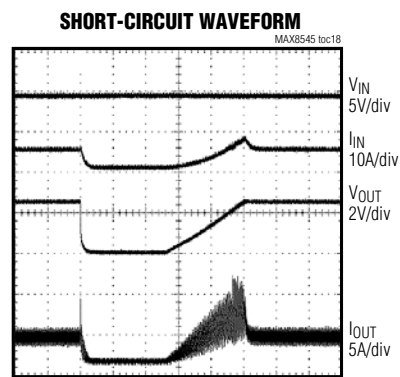
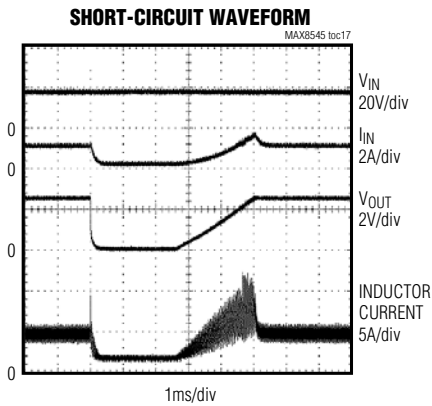
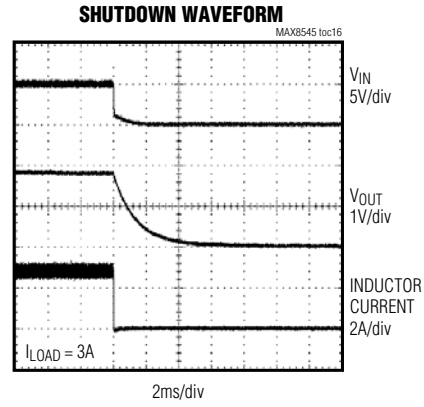
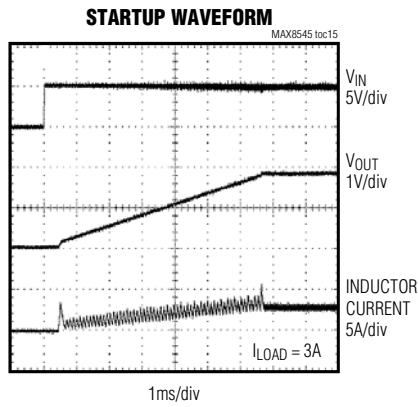
MAX8545/MAX8546/MAX8548



# Low-Cost, Wide Input Range, Step-Down Controllers with Foldback Current Limit

## Typical Operating Characteristics (continued)

( $V_{IN} = V_L = V_{CC} = 5V$ , typical values are at  $T_A = +25^\circ C$ , unless otherwise noted.)

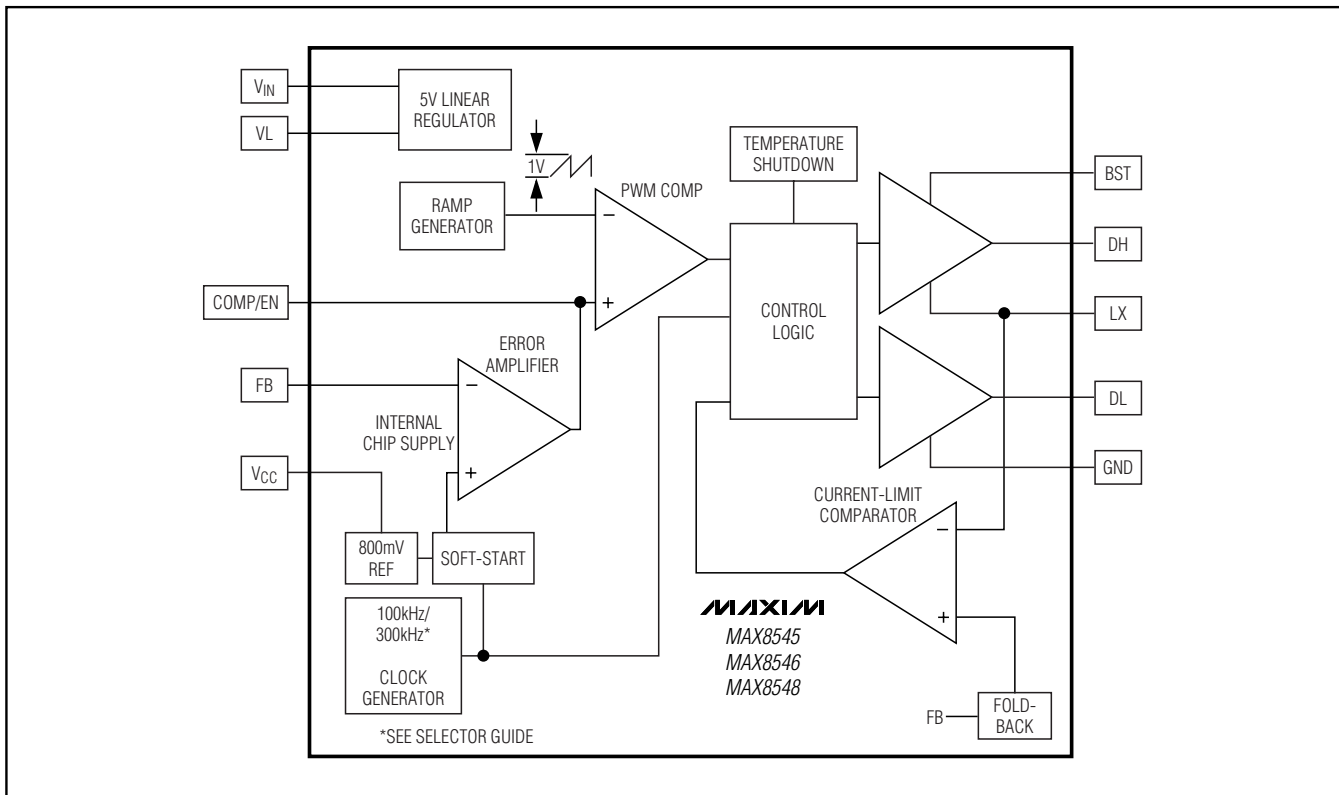


# Low-Cost, Wide Input Range, Step-Down Controllers with Foldback Current Limit

## Pin Description

PIN	NAME	FUNCTION
1	COMP/EN	Compensation Input. Pull COMP/EN low with an open-collector or open-drain device to turn off the output.
2	FB	Feedback Input. Connect a resistive-divider network to set $V_{OUT}$ . FB threshold is 0.8V.
3	V <sub>CC</sub>	Internal Chip Supply. Connect V <sub>CC</sub> to VL through a 10Ω resistor. Bypass V <sub>CC</sub> to GND with at least a 0.1μF ceramic capacitor.
4	V <sub>IN</sub>	Power Supply for LDO Regulator for $V_{IN} > 5.5V$ , and Chip Supply for $V_{IN} < 5.5V$ . Bypass V <sub>IN</sub> with at least a 1μF ceramic capacitor to GND.
5	VL	Output of Internal 5V LDO. Connect VL to V <sub>IN</sub> for $V_{IN} < 5.5V$ . Bypass VL with at least a 1μF ceramic capacitor to GND.
6	DL	Low-Side External MOSFET Gate-Driver Output. DL swings from VL to GND.
7	GND	Ground and Negative Current-Sense Input
8	LX	Inductor Switching Node. LX is used for both current limit and the return supply of the DH driver.
9	DH	High-Side External MOSFET Gate-Driver Output. DH swings from BST to LX.
10	BST	Positive Supply of DH Driver. Connect a 0.1μF ceramic capacitor between BST and LX.

## Functional Diagram



MAX8545/MAX8546/MAX8548



# Low-Cost, Wide Input Range, Step-Down Controllers with Foldback Current Limit

## Detailed Description

The MAX8545/MAX8546/MAX8548 are BiCMOS switch-mode power-supply controllers designed to implement simple, buck-topology regulators in cost-sensitive applications. The main power-switching circuit consists of two n-channel MOSFETs, an inductor, and input/output filter capacitors. An all n-channel synchronous-rectified design provides high efficiency at reduced cost. These devices have an internal 5V linear regulator that steps down the input voltage to supply the IC and the gate drivers. The low-side-switch gate driver is directly powered from the 5V regulator (VL), while the high-side-switch gate driver is indirectly powered from VL plus an external diode-capacitor boost circuit.

## Current-Limit and Short-Circuit Protection

The MAX8545/MAX8546/MAX8548 employ a valley current-sensing algorithm that uses the  $R_{DS(ON)}$  of the low-side n-channel MOSFET to sense the current. This eliminates the need for an external sense resistor usually placed in series with the output. The voltage measured across the low-side MOSFET's  $R_{DS(ON)}$  is compared to a fixed -320mV reference for the MAX8545/MAX8548 and a fixed -165mV reference for the MAX8546. The current limit is given by the equations below:

$$I_{LIMIT} = \frac{320\text{mV}}{R_{DS(ON)}} (\text{MAX8545/MAX8548})$$

$$I_{LIMIT} = \frac{165\text{mV}}{R_{DS(ON)}} (\text{MAX8546})$$

Aside from current limiting, these devices feature foldback short-circuit protection. This feature is designed to reduce the current limit by 80% as the output voltage drops to 0V.

## MOSFET Gate Drivers

The DH and DL drivers are optimized for driving n-channel MOSFETs with low gate charge. An adaptive dead-time circuit monitors the DL output and prevents the high-side MOSFET from turning on until the low-side MOSFET is fully off. There must be a low-resistance, low-inductance connection from the DL driver to the MOSFET gate for the adaptive dead-time circuit to work properly. Otherwise, the sense circuitry in the MAX8545/MAX8546/MAX8548 may detect the MOSFET gate as off while there is actually charge left on the gate. Use very short, wide traces measuring no less than 50mils to 100

mils wide if the MOSFET is 1in away from the MAX8545/MAX8546/MAX8548. The same type of adaptive dead-time circuit monitors the DH off edge. The same recommendations apply for the gate connection of the high-side MOSFET.

The internal pulldown transistor that drives DL low is robust, with a 1.1 $\Omega$  (typ) on-resistance. This helps prevent DL from being pulled up due to capacitive coupling from the drain to the gate of the low-side synchronous-rectifier MOSFET during the fast rise time of the LX node.

## Soft-Start

The MAX8545/MAX8546/MAX8548 feature an internally set soft-start function that limits inrush current. It accomplishes this by ramping the internal reference input to the controller's transconductance error amplifier from 0 to the 0.8V reference voltage. The ramp time is 1024 oscillator cycles for the MAX8548 and 2048 oscillator cycles for the MAX8545/MAX8546. At the nominal 100kHz and 300kHz switching rate, the soft-start ramp is approximately 10.2ms and 6.8ms, respectively.

## High-Side Gate-Drive Supply (BST)

A flying-capacitor boost circuit generates gate-drive voltage for the high-side n-channel MOSFET. The flying capacitor is connected between the BST and LX nodes.

On startup, the synchronous rectifier (low-side MOSFET) forces LX to ground and charges the boost capacitor to VL. On the second half-cycle, the MAX8545/MAX8546/MAX8548 turn on the high-side MOSFET by closing an internal switch between BST and DH. This provides the necessary gate-to-source voltage to drive the high-side MOSFET gate above its source at the input voltage.

## Internal 5V Linear Regulator

All MAX8545/MAX8546/MAX8548 functions are internally powered from an on-chip, low-dropout 5V regulator (VL). These devices have a maximum input voltage ( $V_{IN}$ ) of 28V. Connect  $V_{CC}$  to VL through a 10 $\Omega$  resistor and bypass  $V_{CC}$  to GND with a 0.1 $\mu\text{F}$  ceramic capacitor. The  $V_{IN}$ -to-VL dropout voltage is typically 140mV, so when  $V_{IN}$  is less than 5.5V, VL is typically  $V_{IN} - 140\text{mV}$ .

The internal linear regulator can source a minimum of 25mA and a maximum of approximately 40mA to supply power to the IC low-side and high-side MOSFET drivers.

## Duty-Cycle Limitations for Low $V_{OUT}/V_{IN}$ Ratios

The MAX8545/MAX8546/MAX8548s' output voltage is adjustable down to 0.8V. However, the minimum duty cycle can limit the ability to supply low-voltage outputs



# Low-Cost, Wide Input Range, Step-Down Controllers with Foldback Current Limit

from high-voltage inputs. With high input voltages, the required duty factor is approximately:

$$\frac{V_{OUT} + (R_{DS(ON)} \times I_{LOAD})}{V_{IN}}$$

where  $R_{DS(ON)} \times I_{LOAD}$  is the voltage drop across the synchronous rectifier. Therefore, the maximum input voltage ( $V_{IN(DFMAX)}$ ) that can supply a given output voltage is:

$$V_{IN(DFMAX)} \leq \frac{1}{DC_{MIN}} (V_{OUT} + (R_{DS(ON)} \times I_{LOAD}))$$

If the circuit cannot attain the required duty cycle dictated by the input and output voltages, the output voltage still remains in regulation. However, there may be intermittent or continuous half-frequency operation as the controller attempts to lower the average duty cycle by deleting pulses. This can increase output voltage ripple and inductor current ripple, which increases noise and reduces efficiency. Furthermore, circuit stability is not guaranteed.

## Applications Information

### Design Procedures

- 1) **Input Voltage Range.** The maximum value ( $V_{IN(MAX)}$ ) must accommodate the worst-case high input voltage. The minimum value ( $V_{IN(MIN)}$ ) must account for the lowest input voltage after drops due to connectors, fuses, and switches are considered. In general, lower input voltages provide the best efficiency.
- 2) **Maximum Load Current.** There are two current values to consider. Peak load current ( $I_{LOAD(MAX)}$ ) determines the instantaneous component stresses and filtering requirements and is key in determining output capacitor requirements.  $I_{LOAD(MAX)}$  also determines the required inductor saturation rating. Continuous load current ( $I_{LOAD}$ ) determines the thermal stresses, input capacitor, and MOSFETs, as well as the RMS ratings of other heat-contributing components such as the inductor.
- 3) **Inductor Value.** This choice provides tradeoffs between size, transient response, and efficiency. Higher inductance value results in lower inductor ripple current, lower peak current, lower switching losses, and, therefore, higher efficiency at the cost of slower transient response and larger size. Lower inductance values result in large ripple currents, smaller size, and poor efficiency, while also providing faster transient response.

### Setting the Output Voltage

An output voltage between 0.8V and  $(0.83 \times V_{IN})$  can be configured by connecting FB to a resistive divider between the output and GND (see Figures 1 and 2). Select resistor R4 in the 1k $\Omega$  to 10k $\Omega$  range. R3 is then given by:

$$R_3 = R_4 \left[ \frac{V_{OUT}}{V_{FB}} - 1 \right]$$

where  $V_{FB} = +0.8V$ .

### Inductor Selection

Determine an appropriate inductor value with the following equation:

$$L = V_{OUT} \times \frac{(V_{IN} - V_{OUT})}{V_{IN} \times f_{OSC} \times LIR \times I_{LOAD(MAX)}}$$

where LIR is the ratio of inductor ripple current to average continuous maximum load current. Choosing LIR between 20% to 40% results in a good compromise between efficiency and economy. Choose a low-core-loss inductor with the lowest possible DC resistance. Ferrite-core-type inductors are often the best choice for performance; however, the MAX8548's low switching frequency also allows the use of powdered iron core inductors in ultra-low-cost applications where efficiency is not critical. With any core material, the core must be large enough not to saturate at the peak inductor current ( $I_{PEAK}$ ):

$$I_{PEAK} = I_{LOAD(MAX)} + \left( \frac{LIR}{2} \right) \times I_{LOAD(MAX)}$$

### Setting the Current Limit

The MAX8545/MAX8546/MAX8548 provide valley current limit by sensing the voltage across the external low-side MOSFET. The minimum current-limit threshold voltage is -280mV for the MAX8545/MAX8548 and -140mV for the MAX8546. The MOSFET on-resistance required to allow a given peak inductor current is:

$$R_{DS(ON)MAX} \leq \frac{0.28V}{I_{VALLEY}} \quad (\text{for the MAX8545/MAX8548})$$

$$R_{DS(ON)MAX} \leq \frac{0.14V}{I_{VALLEY}} \quad (\text{for the MAX8546})$$

where  $I_{VALLEY} = I_{LOAD(MAX)} \times (1 - LIR / 2)$ , and  $R_{DS(ON)MAX}$  is the maximum on-resistance of the low-side MOSFET at the maximum operating junction temperature.



## Low-Cost, Wide Input Range, Step-Down Controllers with Foldback Current Limit

A limitation of sensing current across a MOSFET's on-resistance is that the current-limit threshold is not accurate since MOSFET  $R_{DS(ON)}$  specifications are not precise. This type of current limit provides a coarse level of fault protection. It is especially suited when the input source is already current-limited or otherwise protected.

### Power MOSFET Selection

The MAX8545/MAX8546/MAX8548 drive two external, logic-level, n-channel MOSFETs as the circuit switching elements. The key selection parameters are:

- 1) On-resistance ( $R_{DS(ON)}$ ): the lower, the better.
- 2) Maximum drain-to-source voltage ( $V_{DSS}$ ) should be at least 10% higher than the input supply rail at the high-side MOSFET's drain.
- 3) Gate charges ( $Q_G$ ,  $Q_{GD}$ ,  $Q_{GS}$ ): the lower, the better.

Choose the MOSFETs with rated  $R_{DS(ON)}$  at  $V_{GS} = 4.5V$  for an input voltage greater than 5V, and at  $V_{GS} = 2.5V$  for an input voltage less than 5.5V. For a good compromise between efficiency and cost, choose the high-side MOSFET (N1) that has conduction losses equal to the switching losses at nominal input voltage and maximum output current. For N2, make sure it does not spuriously turn on due to a  $dV/dt$  caused by N1 turning on as this would result in shoot-through current degrading the efficiency. MOSFETs with a lower  $Q_{GD}/Q_{GS}$  ratio have higher immunity to  $dV/dt$ .

### MOSFET Power Dissipation

For proper thermal-management design, the power dissipation must be calculated at the desired maximum operating junction temperature, maximum output current, and worst-case input voltage (for the low-side MOSFET (N2) the worst case is at  $V_{IN(MAX)}$ , for the high-side MOSFET (N1) the worst case can be either at  $V_{IN(MIN)}$  or  $V_{IN(MAX)}$ ). N1 and N2 have different loss components due to the circuit operation. N2 operates as a zero-voltage switch; therefore, the major losses are: the channel conduction loss ( $P_{N2CC}$ ), the body-diode conduction loss ( $P_{N2DC}$ ), and the gate-drive loss ( $P_{N2DR}$ ):

$$P_{N2CC} = \left(1 - \frac{V_{OUT}}{V_{IN}}\right) \times I_{LOAD}^2 \times R_{DS(ON)}$$

Use  $R_{DS(ON)}$  at  $T_J(MAX)$ :

$$P_{N2DC} = 2 \times I_{LOAD} \times V_F \times t_{dt} \times f_S$$

where  $V_F$  is the body-diode forward voltage drop,  $t_{dt}$  is the dead time between N1 and N2 switching transitions (which is 30ns), and  $f_S$  is the switching frequency.

Because of zero-voltage switch operation, the N2 gate-drive losses are due to charging and discharging the input capacitor,  $C_{ISS}$ . These losses are distributed between the average DL gate driver's pullup and pull-down resistors and the internal gate resistance. The  $R_{DL}$  is typically  $1.8\Omega$ , and the internal gate resistance ( $R_{GATE}$ ) of the MOSFET is typically  $2\Omega$ . The drive power dissipated in N2 is given by:

$$P_{N2DR} = C_{ISS} \times (V_{GS})^2 \times f_S \times \frac{R_{GATE}}{R_{GATE} + R_{DL}}$$

N1 operates as a duty-cycle control switch and has the following major losses: the channel conduction loss ( $P_{N1CC}$ ), the voltage and current overlapping switching loss ( $P_{N1SW}$ ), and the drive loss ( $P_{N1DR}$ ). N1 does not have a body-diode conduction loss because the diode never conducts current:

$$P_{N1CC} = \left(\frac{V_{OUT}}{V_{IN}}\right) \times (I_{LOAD})^2 \times R_{DS(ON)}$$

Use  $R_{DS(ON)}$  at  $T_J(MAX)$ :

$$P_{N1SW} = V_{IN} \times I_{LOAD} \times f_S \times \frac{Q_{GS} + Q_{GD}}{I_{GATE}}$$

where  $I_{GATE}$  is the average DH high driver output-current capability determined by:

$$I_{GATE(ON)} = \frac{1}{2} \times \frac{V_L}{R_{DH} + R_{GATE}}$$

where  $R_{DH}$  is the high-side MOSFET driver's average on-resistance ( $2.05\Omega$  typ) and  $R_{GATE}$  is the internal gate resistance of the MOSFET ( $2\Omega$  typ):

$$P_{N1DR} = Q_{GS} \times V_{GS} \times f_S \times \frac{R_{GATE}}{R_{DH} + R_{GATE}}$$

where  $V_{GS} \sim V_L$ .

In addition to the losses above, allow about 20% more for additional losses due to MOSFET output capacitance and N2 body-diode reverse recovery charge dissipated in N1. Refer to the MOSFET data sheet for thermal resistance specifications to calculate the PC board area needed. This information is essential to maintain the desired maximum operating junction temperature with the above calculated power dissipation.

To reduce EMI caused by switching noise, add a  $0.1\mu F$  ceramic capacitor from the high-side MOSFET drain to the low-side MOSFET source or add resistors in series

# Low-Cost, Wide Input Range, Step-Down Controllers with Foldback Current Limit

with DH and DL to slow down the switching transitions. However, adding series resistors increases the power dissipation of the MOSFET, so ensure temperature ratings of the MOSFET are not exceeded.

## Input-Capacitor Selection

The input capacitors (C2 and C3 in Figure 1) reduce noise injection and current peaks drawn from the input supply. The input capacitor must meet the ripple-current requirement ( $I_{RMS}$ ) imposed by the switching currents. The RMS input ripple current is given by:

$$I_{RMS} = I_{LOAD} \times \sqrt{\frac{V_{OUT} \times (V_{IN} - V_{OUT})}{V_{IN}}}$$

For optimal circuit reliability, choose a capacitor that has less than 10°C temperature rise at the RMS current.  $I_{RMS}$  is maximum when the input voltage equals 2 x  $V_{OUT}$ , where  $I_{RMS} = 1/2 I_{LOAD}$ .

## Output Capacitor Selection

The key parameters for the output capacitor are the actual capacitance value, the equivalent series resistance (ESR), the equivalent series inductance (ESL), and the voltage-rating requirements. All these parameters affect the overall stability, output ripple voltage, and transient response.

The output ripple has three components: variations in the charge stored in the output capacitor, the voltage drop across the ESR, and the voltage drop across the ESL.

$$V_{RIPPLE} = V_{RIPPLE}(ESR) + V_{RIPPLE}(C) + V_{RIPPLE}(ESL)$$

The output voltage ripple as a consequence of the ESR and output capacitance is:

$$V_{RIPPLE}(ESR) = I_{P-P} \times ESR$$

$$V_{RIPPLE}(C) = \frac{I_{P-P}}{8 \times C_{OUT} \times f_{SW}}$$

$$V_{RIPPLE}(ESL) = \frac{V_{IN} \times ESL}{L + ESL}$$

$$I_{P-P} = \left( \frac{V_{IN} - V_{OUT}}{f_{SW} \times L} \right) \left( \frac{V_{OUT}}{V_{IN}} \right)$$

where  $I_{P-P}$  is the peak-to-peak inductor current (see the *Inductor Selection* section).

While these equations are suitable for initial capacitor selection to meet the ripple requirement, final values may also depend on the relationship between the LC double-pole frequency and the capacitor ESR-zero frequency. Generally, the ESR zero is higher than the LC double pole; however, it is preferable to keep the ESR

zero close to the LC double pole when possible to negate the sharp phase shift of the typically high-Q double LC pole (see the *Compensation Design* section). Aluminum electrolytic or POS capacitors are recommended. Higher output current requires multiple capacitors to meet the output ripple voltage.

The MAX8545/MAX8546/MAX8548s' response to a load transient depends on the selected output capacitor. After a load transient, the output instantly changes by  $(ESR \times \Delta I_{LOAD}) + (ESL \times di/dt)$ . Before the controller can respond, the output deviates further depending on the inductor and output capacitor values. After a short period of time (see the *Typical Operating Characteristics*), the controller responds by regulating the output voltage back to its nominal state. The controller response time depends on the closed-loop bandwidth. Higher bandwidth results in faster response time, preventing the output voltage from further deviation. **Do not exceed the capacitor's voltage or ripple-current ratings.**

## Boost Diode and Capacitor Selection

A low-current Schottky diode, such as the CPM3H-3 from Central Semiconductor, works well for most applications. Do not use large power diodes since higher junction capacitance can charge up BST to LX voltage that could exceed the device rating of 6V. The boost capacitor should be in the range of 0.1µF to 0.47µF, depending on the specific input and output voltages and the external components and PCB layout. The boost capacitance needs to be as large as possible to prevent it from charging to excessive voltage, but small enough to adequately charge during the minimum low-side MOSFET conduction time, which happens at the maximum operating duty cycle (this occurs at the minimum input voltage). In addition, ensure the boost capacitor does not discharge to below the minimum gate-to-source voltage required to keep the high-side MOSFET fully enhanced for lowest on-resistance. This minimum gate-to-source voltage  $V_{GS(MIN)}$  is determined by:

$$V_{GS(MIN)} = V_L - \frac{Q_G}{C_{BOOST}}$$

where  $Q_G$  is the total gate charge of the high-side MOSFET and  $C_{BOOST}$  is the boost capacitor value.

## Compensation Design

The MAX8545/MAX8546/MAX8548 use a voltage-mode control scheme that regulates the output voltage. This is done by comparing the error amplifier's output (COMP) to a fixed internal ramp. The inductor and output capacitor create a double pole at the resonant frequency, which

## Low-Cost, Wide Input Range, Step-Down Controllers with Foldback Current Limit

has a gain drop of 40dB per decade, and a phase shift of 180°. The error amplifier must compensate for this gain drop and phase shift to achieve a stable high-bandwidth, closed-loop system.

The basic regulator loop consists of a power modulator (Figure 3), an output feedback divider, and an error amplifier. The power modulator has DC gain set by  $V_{IN}/V_{RAMP}$ , with a double pole set by the inductor and output capacitor, and a single zero set by the output capacitor ( $C_{OUT}$ ) and its equivalent series resistance (ESR). Below are equations that define the power modulator:

The DC gain of the power modulator is:

$$G_{MOD(DC)} = \frac{V_{IN}}{V_{RAMP}}$$

where  $V_{RAMP} = 1V$ .

The pole frequency due to the inductor and output capacitor is:

$$f_{PMOD} = \frac{1}{2\pi\sqrt{LC_{OUT}}}$$

The zero frequency due to the output capacitor's ESR is:

$$f_{ZESR} = \frac{1}{2\pi \times ESR \times C_{OUT}}$$

The output capacitor is usually comprised of several same capacitors connected in parallel. With  $n$  capacitors in parallel, the output capacitance is:

$$C_{OUT} = n \times C_{EACH}$$

The total ESR is:

$$ESR = \frac{ESR_{EACH}}{n}$$

The ESR zero ( $f_{ZESR}$ ) for a parallel combination of capacitors is the same as for an individual capacitor.

The feedback divider has a gain of  $G_{FB} = V_{FB}/V_{OUT}$ , where  $V_{FB}$  is 0.8V.

The transconductance error amplifier has DC gain  $G_{EA(dc)}$  of 72dB. A dominant pole ( $f_{DPEA}$ ) is set by the compensation capacitor ( $C_C$ ), the amplifier output resistance ( $R_O$ ) equals 37M $\Omega$ , and the compensation resistor ( $R_C$ ):

$$f_{DPEA} = \frac{1}{2\pi \times C_C \times (R_O + R_C)}$$

The compensation resistor and the compensation capacitor set a zero:

$$f_{ZEA} = \frac{1}{2\pi \times C_C \times R_C}$$

The total closed-loop gain must equal unity at the crossover frequency. The crossover frequency should be higher than  $f_{ZESR}$ , so that the -1 slope is used to cross over at unity gain. Also, the crossover frequency should be less than or equal to 1/5 the switching frequency ( $f_{SW}$ ) of the controller:

$$f_{ZESR} < f_C \leq \frac{f_{SW}}{5}$$

The loop-gain equation at the crossover frequency is:

$$V_{FB}/V_{OUT} \times G_{EA}(f_C) \times G_{MOD}(f_C) = 1$$

where  $G_{EA}(f_C) = g_{mEA} \times R_C$ , and  $G_{MOD}(f_C) = G_{MOD(DC)} \times (f_{PMOD})^2 / (f_{ZESR} \times f_C)$ .

The compensation resistor,  $R_C$ , is calculated from:

$$R_C = V_{OUT} / g_{mEA} \times V_{FB} \times G_{MOD}(f_C)$$

where  $g_{mEA} = 108\mu S$ .

Due to the underdamped ( $Q > 1$ ) nature of the output LC double pole, the error-amplifier compensation zero should be approximately 0.2  $f_{PMOD}$  to provide good phase boost.  $C_C$  is calculated from:

$$C_C = \frac{5}{2\pi \times R_C \times f_{PMOD}}$$

A small capacitor,  $C_F$ , can also be added from COMP to GND to provide high-frequency decoupling.  $C_F$  adds another high-frequency pole,  $f_{PHF}$ , to the error-amplifier response. This pole should be greater than 100 times the error-amplifier zero frequency to have negligible impact on the phase margin. This pole should also be less than 1/2 the switching frequency for effective decoupling:

$$100 f_{ZEA} < f_{PHF} < 0.5 f_{SW}$$

Select a value for  $f_{PHF}$  in the range given above, then solve for  $C_F$  using the following equation:

$$C_F = \frac{1}{2\pi \times R_C \times f_{PHF}}$$

### PCB Layout Guidelines

Careful PCB layout is critical to achieve low switching losses and stable operation. If possible, mount all the power components on the top side of the board with their

# Low-Cost, Wide Input Range, Step-Down Controllers with Foldback Current Limit

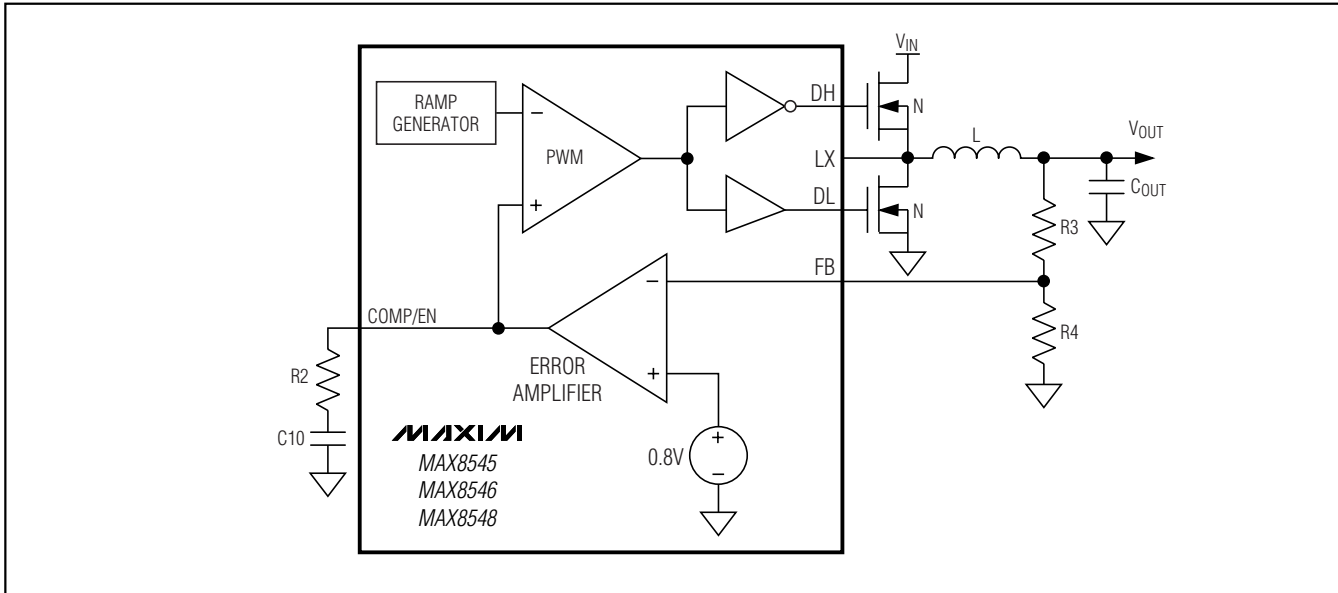


Figure 3. Compensation Scheme

ground terminals flush against one another. Follow these guidelines for good PCB layout:

- 1) Keep the high-current paths short, especially at the ground terminals. This practice is essential for stable, jitter-free operation.
- 2) Connect the power and analog grounds close to the IC pin 7.
- 3) Keep the power traces and load connections short. This practice is essential for high efficiency. Using thick copper PCBs (2oz vs. 1oz) can enhance full-load efficiency by 1% or more. Correctly routing PCB traces is a difficult task that must be approached in terms of fractions of centimeters, where a few milohms of excess trace resistance cause a measurable efficiency penalty.
- 4) LX and GND connections to the low-side MOSFET for current sensing must be made using Kelvin sense connections to guarantee the current-limit accuracy. With 8-pin MOSFETs, this is best done by routing power to the MOSFETs from outside using the top copper layer, while connecting LX and GND inside (underneath) the 8-pin package.

- 5) When tradeoffs in trace lengths must be made, it is preferable to allow the inductor charging current path to be longer than the discharge path. For example, it is better to allow some extra distance between the inductor and the low-side MOSFET or between the inductor and the output filter capacitor.
- 6) Ensure that the connection between the inductor and C3 is short and direct.
- 7) Route switching nodes (BST, LX, DH, and DL) away from sensitive analog areas (COMP and FB).

Ensure the C1 ceramic bypass capacitor is immediately adjacent to the pins and as close to the device as possible. Furthermore, the  $V_{IN}$  and GND pins of MAX8545/MAX8546/MAX8548 must terminate at the two ends of C1 before connecting to the power switches and C2.



# Low-Cost, Wide Input Range, Step-Down Controllers with Foldback Current Limit

**Table 1a. Component Selection for Standard Applications for  $V_{IN} = 2.7V$  to  $5.5V$ ,  $V_{OUT} = 1.8V / 3A$  (Figure 1) (MAX8546 Only)**

COMPONENT	QTY	DESCRIPTION
C1, C4	2	1 $\mu$ F, 10V X7R ceramic capacitors Taiyo Yuden LMK212BJ105MG
C2	0	Not installed
C3	1	1200 $\mu$ F, 10V, 44m $\Omega$ , 1.25A aluminum electrolytic capacitor SANYO 10MV1200AX (10 x 16 case size)
C5, C8, C9	3	0.1 $\mu$ F, 10V X7R ceramic capacitors Kemet C0603C104M8RAC
C6, C7	2	1000 $\mu$ F, 6.3V, 69m $\Omega$ , 0.8A aluminum electrolytic capacitors SANYO 6.3MV1000AX (8 x 20 case size)
C10	1	1.5nF, 10V X7R ceramic capacitor Kemet C0603C152M8RAC
C11	0	Not installed
D1, D2	2	30V, 100mA Schottky diodes Central Semiconductor CMPSH-3
L1	1	4.7 $\mu$ H, 5.7A, 18m $\Omega$ inductor Sumida CDRH124-4R7
Q1	1	20V/30V, 35m $\Omega$ dual n-channel, 8-pin SO Vishay Si4966DY (for 2.7V to 3.6V <sub>IN</sub> ) Fairchild FDS6912A (for 4.5V to 5.5V <sub>IN</sub> )
R1	1	10 $\Omega$ $\pm$ 5% resistor
R2	1	150k $\Omega$ $\pm$ 5% resistor
R3	1	5.11k $\Omega$ $\pm$ 1% resistor
R4	1	4.02k $\Omega$ $\pm$ 1% resistor

**Table 1b. Component Selection for Standard Applications for  $V_{IN} = 2.7V$  to  $5.5V$ ,  $V_{OUT} = 1.8V / 6A$  (Figure 1) (MAX8546 Only)**

COMPONENT	QTY	DESCRIPTION
C1, C4	2	1 $\mu$ F, 10V X7R ceramic capacitors Taiyo Yuden LMK212BJ105MG
C2, C3	2	1200 $\mu$ F, 10V, 44m $\Omega$ , 1.25A aluminum electrolytic capacitors SANYO 10MV1200AX (10 x 16 case size)
C5, C8, C9	3	0.1 $\mu$ F, 10V X7R ceramic capacitors Kemet C0603C104M8RAC
C6, C7	2	1500 $\mu$ F, 6.3V, 44m $\Omega$ , 1.25A aluminum electrolytic capacitors SANYO 6.3MV1500AX (10 x 20 case size)
C10	1	1.5nF, 10V X7R ceramic capacitor Kemet C0603C152M8RAC
C11	0	Not installed
D1, D2	2	30V, 100mA Schottky diodes Central Semiconductor CMPSH-3
L1	1	2.1 $\mu$ H, 8A, 11.6m $\Omega$ inductor Sumida CEP122-2R1
Q1	1	20V, 18m $\Omega$ dual n-channel, 8-pin SO Fairchild FDS6898A (for 2.7V to 3.6V <sub>IN</sub> ) Fairchild FDS6890A (for 4.5V to 5.5V <sub>IN</sub> )
R1	1	10 $\Omega$ $\pm$ 5% resistor
R2	1	110k $\Omega$ $\pm$ 5% resistor
R3	1	5.11k $\Omega$ $\pm$ 1% resistor
R4	1	4.02k $\Omega$ $\pm$ 1% resistor

MAX8545/MAX8546/MAX8548



## Low-Cost, Wide Input Range, Step-Down Controllers with Foldback Current Limit

**Table 2a. Component Selection for Standard Applications for  $V_{IN} = 10V$  to  $24V$ ,  $V_{OUT} = 2.5V / 3A$  (Figure 2) (MAX8546 Only)**

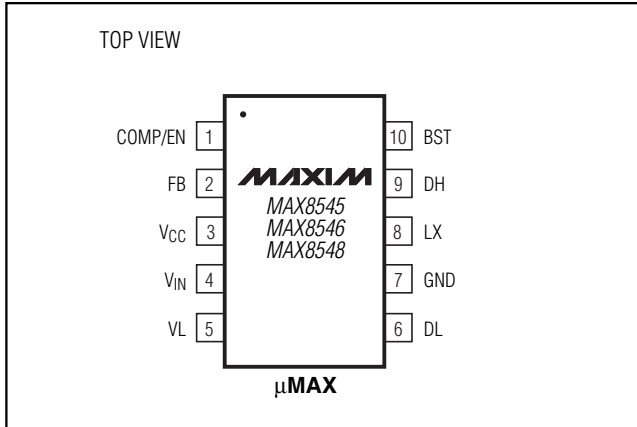
COMPONENT	QTY	DESCRIPTION
C1	1	1 $\mu$ F, 10V X7R ceramic capacitor Taiyo Yuden LMK212BJ105MG
C2	0	Not installed
C3	1	470 $\mu$ F, 35V, 39m $\Omega$ , 1.45A aluminum electrolytic capacitor SANYO 35MV470AX (10 x 22 case size)
C4, C12	2	1 $\mu$ F, 35V X7R ceramic capacitors Taiyo Yuden GMK316BJ105ML
C5, C8, C9	3	0.1 $\mu$ F, 10V X7R ceramic capacitors Kemet C0603C104M8RAC
C6, C7	2	1000 $\mu$ F, 6.3V, 69m $\Omega$ , 0.8A aluminum electrolytic capacitors SANYO 6.3MV1000AX (8 x 20 case size)
C10	1	6.8nF, 10V X7R ceramic capacitor Kemet C0603C6822M8RAC
C11	0	Not installed
D1, D2	2	30V, 100mA Schottky diodes Central Semiconductor CMPSH-3
L1	1	8.2 $\mu$ H, 5.8A, 9.5m $\Omega$ inductor Sumida CEP125-8R2
Q1	1	30V, 35m $\Omega$ , dual n-channel, 8-pin SO Fairchild FDS6912A
R1	1	10 $\Omega$ $\pm$ 5% resistor
R2	1	82k $\Omega$ $\pm$ 5% resistor
R3	1	8.66k $\Omega$ $\pm$ 1% resistor
R4	1	4.02k $\Omega$ $\pm$ 1% resistor

**Table 2b. Component Selection for Standard Applications for  $V_{IN} = 10V$  to  $24V$ ,  $V_{OUT} = 2.5V / 6A$  (Figure 2) (MAX8546 Only)**

COMPONENT	QTY	DESCRIPTION
C1	1	1 $\mu$ F, 10V X7R ceramic capacitor Taiyo Yuden LMK212BJ105MG
C2, C3	2	470 $\mu$ F, 35V, 39m $\Omega$ , 1.45A aluminum electrolytic capacitors SANYO 35MV470AX (10 x 22 case size)
C4, C12	2	1 $\mu$ F, 35V X7R ceramic capacitors Taiyo Yuden GMK316BJ105ML
C5, C8, C9	3	0.1 $\mu$ F, 10V X7R ceramic capacitors Kemet C0603C104M8RAC
C6, C7	2	1500 $\mu$ F, 6.3V, 44m $\Omega$ , 1.25A aluminum electrolytic capacitors SANYO 6.3MV1500AX (10 x 20 case size)
C10	1	6.8nF, 10V X7R ceramic capacitor Kemet C0603C6822M8RAC
C11	0	Not installed
D1, D2	2	30V, 100mA Schottky diodes Central Semiconductor CMPSH-3
L1	1	4 $\mu$ H, 8.3A, 6.6m $\Omega$ inductor Sumida CEP125-4R0
Q1	1	30V, 18m $\Omega$ (LSFET)/35m $\Omega$ (HSFET), dual n-channel, 8-pin SO Fairchild FDS6982
R1	1	10 $\Omega$ $\pm$ 5% resistor
R2	1	68k $\Omega$ $\pm$ 5% resistor
R3	1	8.66k $\Omega$ $\pm$ 1% resistor
R4	1	4.02k $\Omega$ $\pm$ 1% resistor

# Low-Cost, Wide Input Range, Step-Down Controllers with Foldback Current Limit

## Pin Configuration



## Chip Information

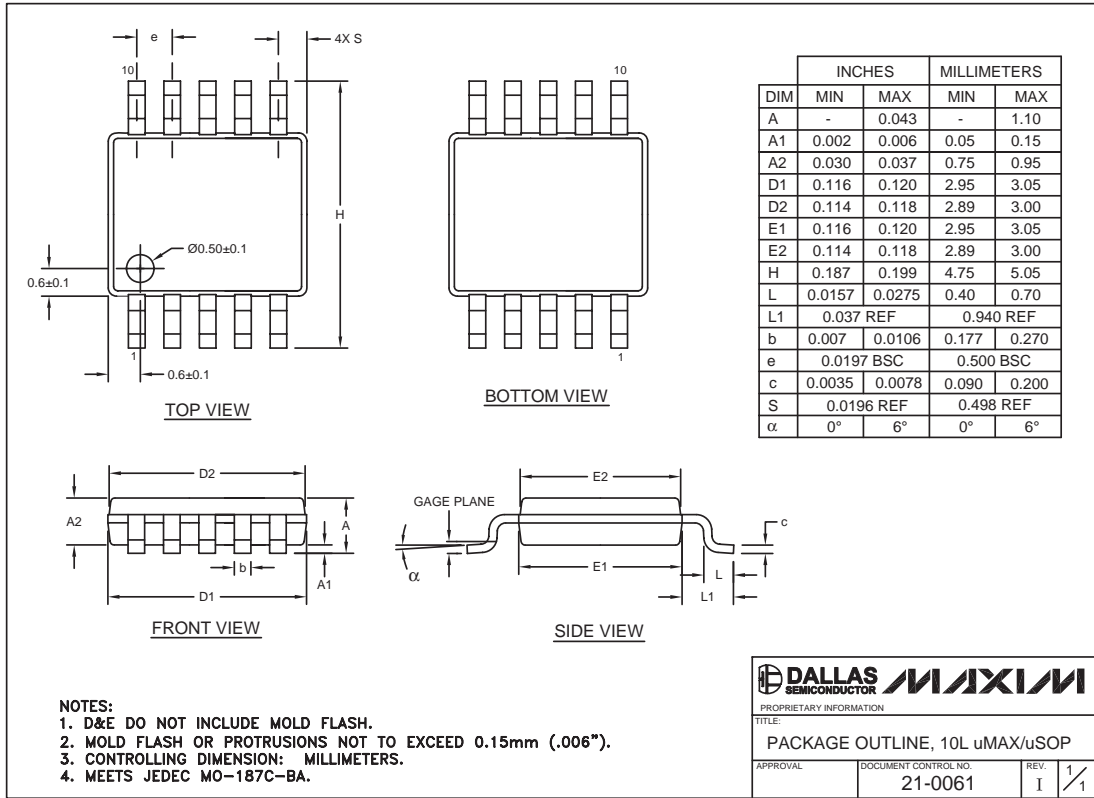
TRANSISTOR COUNT: 3351  
PROCESS: BICMOS

**MAX8545/MAX8546/MAX8548**

# Low-Cost, Wide Input Range, Step-Down Controllers with Foldback Current Limit

## Package Information

(The package drawing(s) in this data sheet may not reflect the most current specifications. For the latest package outline information go to [www.maxim-ic.com/packages](http://www.maxim-ic.com/packages).)



## Revision History

Pages changed at Rev 2: 1, 2, 8, 11, 15, 16, 18

Maxim cannot assume responsibility for use of any circuitry other than circuitry entirely embodied in a Maxim product. No circuit patent licenses are implied. Maxim reserves the right to change the circuitry and specifications without notice at any time.

18 Maxim Integrated Products, 120 San Gabriel Drive, Sunnyvale, CA 94086 408-737-7600

© 2007 Maxim Integrated Products

MAXIM is a registered trademark of Maxim Integrated Products, Inc.