

# 1.25A High Efficiency Switching Regulator

## FEATURES

- Available in MiniDiP, TO-220, and TO-3 Packages
- Wide Input Voltage Range 3V to 60V
- Low Quiescent Current—6mA
- Internal 1.25A Switch
- Very Few External Parts Required
- Self-Protected Against Overloads
- Operates in Nearly All Switching Topologies
- Shutdown Mode Draws Only 50 $\mu$ A Supply Current
- Flyback-Regulated Mode has Fully Floating Outputs
- Can be Externally Synchronized

## APPLICATIONS

- Logic Supply 5V at 2.5A
- 5V Logic to  $\pm$ 15V Op Amp Supply
- Offline Converter up to 50W
- Battery Upconverter
- Power Inverter (+ to -) or (- to +)
- Fully Floating Multiple Outputs
- Driver for High Current Supplies

### USER NOTE:

This data sheet is only intended to provide specifications, graphs, and a general functional description of the LT1072. Application circuits are included to show the capability of the LT1072. A complete design manual (AN-19) should be obtained to assist in developing new designs. This manual contains a comprehensive discussion of both the LT1070 and the external components used with it, as well as complete formulas for calculating the values of these components. The manual can also be used for the LT1072 by factoring in the lower switch current rating.

LT, LTC and LT are registered trademarks of Linear Technology Corporation.

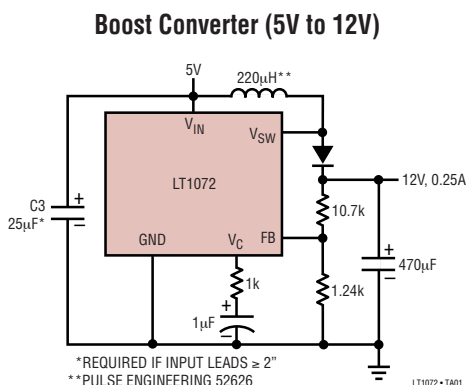
## DESCRIPTION

The LT<sup>®</sup>1072 is a monolithic high power switching regulator. It can be operated in all standard switching configurations including buck, boost, flyback, forward, inverting and “Cuk”. A high current, high efficiency switch is included on the die along with all oscillator, control, and protection circuitry. Integration of all functions allows the LT1072 to be built in a standard 5-pin TO-3 or TO-220 power package as well as the 8-pin miniDIP. This makes it extremely easy to use and provides “bust proof” operation similar to that obtained with 3-pin linear regulators.

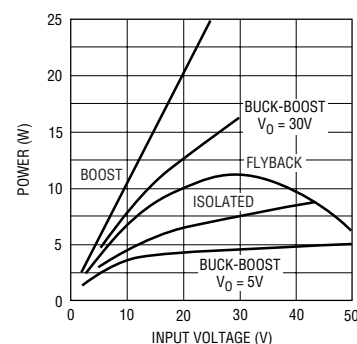
The LT1072 operates with supply voltages from 3V to 60V, and draws only 6mA quiescent current. It can deliver load power up to 20 watts with no external power devices. By utilizing current-mode switching techniques, it provides excellent AC and DC load and line regulation.

The LT1072 has many unique features not found even on the vastly more difficult to use low power control chips presently available. It uses an adaptive anti-sat switch drive to allow very wide ranging load currents with no loss in efficiency. An externally activated shutdown mode reduces total supply current to 50 $\mu$ A typical for standby operation. Totally isolated and regulated outputs can be generated by using the optional “flyback regulation mode” built into the LT1072, without the need for optocouplers or extra transformer windings.

## TYPICAL APPLICATION



**Maximum Output Power\***



\*ROUGH GUIDE ONLY. BUCK MODE  $P_{OUT} = 1A \times V_{OUT}$ .  
 MINIDIPOUT POWER MAY BE LIMITED BY PACKAGE TEMPERATURE  
 RISE AT HIGH INPUT VOLTAGES OR HIGH DUTY CYCLES

LT1072-1A02

1072fc

# LT1072

## ABSOLUTE MAXIMUM RATINGS

(Note 1)

### Supply Voltage

LT1072HV (See Note 1) .....	60V
LT1072 (See Note 1) .....	40V

### Switch Output Voltage

LT1072HV .....	75V
LT1072 .....	65V
LT1072S8 .....	60V

### Feedback Pin Voltage (Transient, 1ms) .....

.....	±15V
-------	------

### Operating Junction Temperature Range

LT1072HVM, LT1072M (OBSOLETE) ....	-55°C to 150°C
LT1072HVC, LT1072C (Oper.)* .....	0°C to 100°C
LT1072HVC, LT1072C (Sh. Ckt.)* .....	0°C to 125°C
LT1072HVI .....	-40°C to 125°C

### Storage Temperature Range .....

.....	-65°C to 150°C
-------	----------------

### Lead Temperature (Soldering, 10 sec) .....

.....	300°C
-------	-------

\*Includes LT1072S8

**Note 1:** Minimum switch “on” time for the LT1072 in current limit is  $\approx 0.7\mu\text{sec}$ . This limits the maximum input voltage during short-circuit conditions, *in the buck and inverting modes only*  $\approx 40\text{V}$ . Normal (unshorted) conditions are not affected. If the LT1072 is being operated in the buck or inverting mode at high input voltages and short-circuit conditions are expected, a resistor must be placed in series with the inductor, as follows:

The value of the resistor is given by:

$$R = \frac{(t)(f)(V_{IN}) - V_f - R_L}{I_{(LIMIT)}}$$

t = Minimum “on” time of LT1072 in current limit,  $\approx 0.7\mu\text{s}$

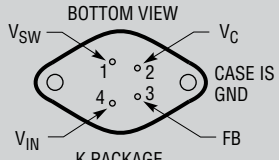
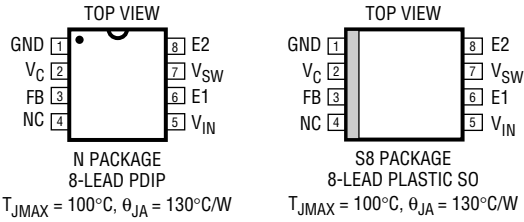
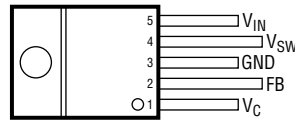
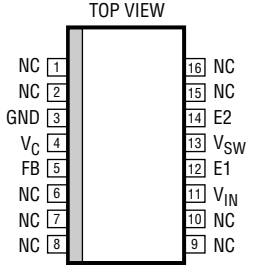
f = Operating frequency (40kHz)

V<sub>f</sub> = Forward voltage of external catch diode at I<sub>(LIMIT)</sub>

I<sub>(LIMIT)</sub> = Current limit of LT1072 (2A)

R<sub>L</sub> = Internal series resistance of inductor

## PACKAGE/ORDER INFORMATION

 <p><b>BOTTOM VIEW</b></p> <p>V<sub>SW</sub> V<sub>c</sub> 1 2 CASE IS GND 4 3 VIN FB</p> <p><b>K PACKAGE</b> 4-LEAD TO-3 METAL CAN</p> <p>T<sub>JMAX</sub> = 150°C, θ<sub>JC</sub> = 8°C/W, θ<sub>JA</sub> = 35°C/W T<sub>JMAX</sub> = 100°C*, θ<sub>JC</sub> = 8°C/W, θ<sub>JA</sub> = 35°C/W</p> <p><b>OBSOLETE PACKAGE</b></p>	<p><b>ORDER PART NUMBER</b></p> <p>LT1072HVMK LT1072MK LT1072HVCK LT1072CK</p>	 <p><b>TOP VIEW</b></p> <p>GND 1 8 E2 V<sub>c</sub> 2 7 V<sub>SW</sub> FB 3 6 E1 NC 4 5 V<sub>IN</sub></p> <p><b>N PACKAGE</b> 8-LEAD PDIP T<sub>JMAX</sub> = 100°C, θ<sub>JA</sub> = 130°C/W</p> <p><b>TOP VIEW</b></p> <p>GND 1 8 E2 V<sub>c</sub> 2 7 V<sub>SW</sub> FB 3 6 E1 NC 4 5 V<sub>IN</sub></p> <p><b>S8 PACKAGE</b> 8-LEAD PLASTIC SO T<sub>JMAX</sub> = 100°C, θ<sub>JA</sub> = 130°C/W</p> <p><b>J PACKAGE</b> 8-LEAD CERAMIC DIP T<sub>JMAX</sub> = 150°C, θ<sub>JA</sub> = 100°C/W</p> <p><b>OBSOLETE PACKAGE</b> Consider the S8 or N8 Packages for Alternate Source</p>	<p><b>ORDER PART NUMBER</b></p> <p>LT1072CN8 LT1072CS8</p> <p><b>S8 PART MARKING</b></p> <p>1072</p> <p>LT1072MJ8 LT1072CJ8</p>
 <p><b>FRONT VIEW</b></p> <p>5 VIN 4 V<sub>SW</sub> 3 GND 2 FB 1 V<sub>c</sub></p> <p><b>T PACKAGE</b> 5-LEAD TO-220</p> <p>T<sub>JMAX</sub> = 100°C/W, θ<sub>JC</sub> = 8°C/W, θ<sub>JA</sub> = 50°C/W</p>	<p><b>ORDER PART NUMBER</b></p> <p>LT1072CT LT1072HVCT LT1072HVIT</p>	 <p><b>TOP VIEW</b></p> <p>NC 1 16 NC NC 2 15 NC GND 3 14 E2 V<sub>c</sub> 4 13 V<sub>SW</sub> FB 5 12 E1 NC 6 11 V<sub>IN</sub> NC 7 10 NC NC 8 9 NC</p> <p><b>SW PACKAGE</b> 16-LEAD PLASTIC SO WIDE T<sub>JMAX</sub> = 100°C, θ<sub>JC</sub> = 130°C/W</p>	<p><b>ORDER PART NUMBER</b></p> <p>LT1072CSW</p>

Consult LTC Marketing for parts specified with wider operating temperature ranges.

1072fc

**ELECTRICAL CHARACTERISTICS** The ● denotes specifications which apply over the full operating temperature range. Unless otherwise specified,  $V_{IN} = 15V$ ,  $V_C = 0.5V$ ,  $V_{FB} = V_{REF}$ , output pin open.

SYMBOL	PARAMETER	CONDITIONS	MIN	TYP	MAX	UNITS	
$V_{REF}$	Reference Voltage	Measured at Feedback Pin $V_C = 0.8V$	●	1.224	1.244	1.264	V
				1.214	1.244	1.274	V
$I_B$	Feedback Input Current	$V_{FB} = V_{REF}$	●	350	750	nA	
					1100	nA	
$g_m$	Error Amplifier Transconductance	$\Delta I_C = \pm 25\mu A$	●	3000	4400	6000	$\mu mho$
				2400		7000	$\mu mho$
	Error Amplifier Source or Sink Current	$V_C = 1.5V$	●	150	200	350	$\mu A$
				120		400	$\mu A$
	Error Amplifier Clamp Voltage	Hi Clamp, $V_{FB} = 1V$ Lo Clamp, $V_{FB} = 1.5V$		1.8		2.3	V
				0.25	0.38	0.52	V
	Reference Voltage Line Regulation	$3V \leq V_{IN} \leq V_{MAX}$ $V_C = 0.8V$	●			0.03	%/V
$A_V$	Error Amplifier Voltage Gain	$0.9V \leq V_C \leq 1.4V$		500	800		V/V
			●		2.6	3.0	V
$I_Q$	Supply Current	$3V \leq V_{IN} \leq V_{MAX}$ , $V_C = 0.6V$			6	9	mA
			●		0.8	0.9	1.08
	Control Pin Threshold	Duty Cycle = 0		0.6	1.25	V	
	Normal/Flyback Threshold on Feedback Pin			0.4	0.45	0.54	V
$V_{FB}$	Flyback Reference Voltage	$I_{FB} = 50\mu A$	●	15	16.3	17.6	V
				14		18	V
	Change in Flyback Reference Voltage	$0.05 \leq I_{FB} \leq 1mA$		4.5	6.8	8.5	V
	Flyback Reference Voltage Line Regulation	$I_{FB} = 50\mu A$ $3V \leq V_{IN} \leq V_{MAX}$ (Note 4)			0.01	0.03	%/V
	Flyback Amplifier Transconductance ( $g_m$ )	$\Delta I_C = \pm 10\mu A$		150	300	650	$\mu mho$
$BV$	Output Switch Breakdown Voltage	$3V \leq V_{IN} \leq V_{MAX}$ $I_{SW} = 1.5mA$	●	65	90		V
			●	75	90		V
			●	60	80		V
$V_{SAT}$	Output Switch ON Resistance (Note 2)	$I_{SW} = 1.25A$	●		0.6	1	$\Omega$
					2		A/V
$I_{LIM}$	Switch Current Limit	Duty Cycle = 50% Duty Cycle = 50% Duty Cycle = 80% (Note 3)	●	1.25		3	A
			●	1.25		3.5	A
			●	1		2.5	A
$\frac{\Delta I_{IN}}{\Delta I_{SW}}$	Supply Current Increase During Switch ON Time				25	35	mA/A
			●		35	40	45
f	Switching Frequency					47	kHz
			●		90	92	97
DC (max)	Maximum Switch Duty Cycle						
			●		1.5		$\mu s$
	Shutdown Mode Supply Current	$3V \leq V_{IN} \leq V_{MAX}$ $V_C = 0.05V$			100	250	$\mu A$
	Shutdown Mode Threshold Voltage	$3V \leq V_{IN} \leq V_{MAX}$	●	100	150	250	mV
				50		300	mV

**Note 1:** Absolute Maximum Ratings are those values beyond which the life of a device may be impaired.

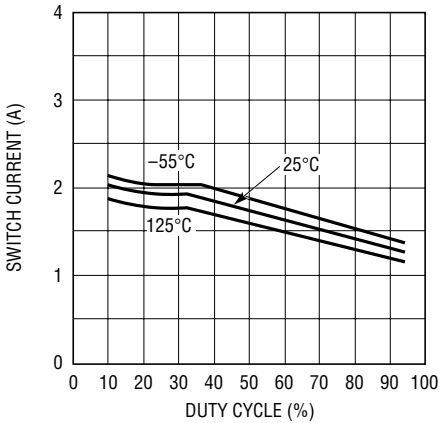
**Note 2:** Measured with  $V_C$  in hi clamp,  $V_{FB} = 0.8V$ .

**Note 3:** For duty cycles (DC) between 50% and 80%, minimum guaranteed switch current is given by  $I_{LIM} = 0.833(2 - DC)$ .

**Note 4:**  $V_{MAX} = 55V$  for LT1072HV to avoid switch breakdown.

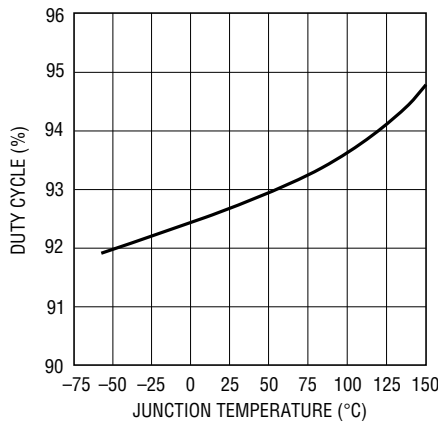
# TYPICAL PERFORMANCE CHARACTERISTICS

Switch Current Limit vs Duty Cycle



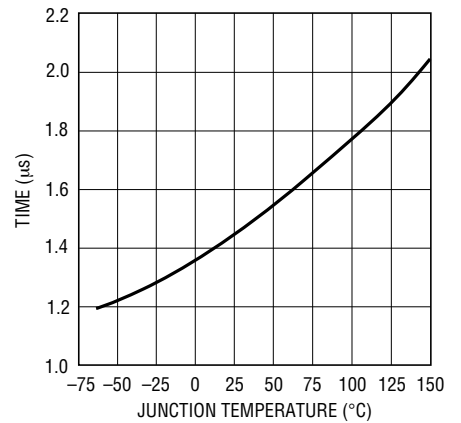
LT1072 • TPC01

Maximum Duty Cycle



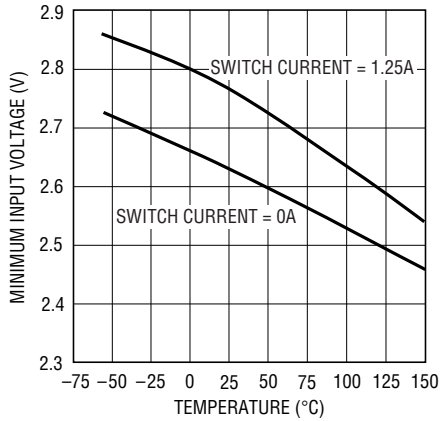
LT1072 • TPC02

Flyback Blanking Time



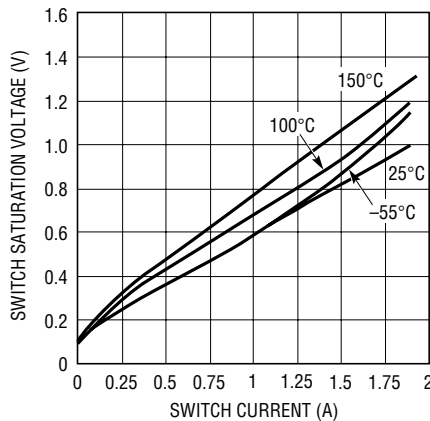
LT1072 • TPC03

Minimum Input Voltage



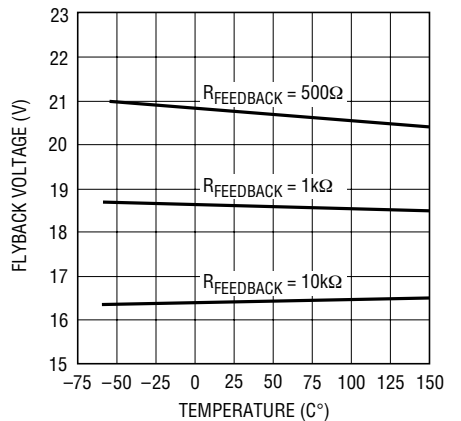
LT1072 • TPC04

Switch Saturation Voltage



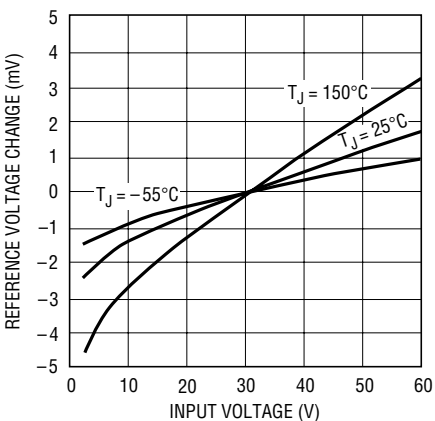
LT1072 • TPC05

Isolated Mode Flyback Reference Voltage



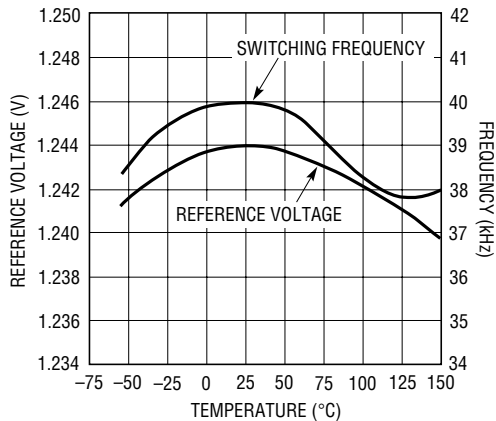
LT1072 • TPC06

Line Regulation



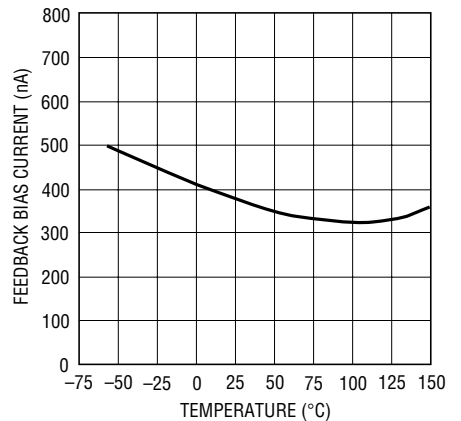
LT1072 • TPC07

Reference Voltage and Switching Frequency vs Temperature



LT1072 • TPC08

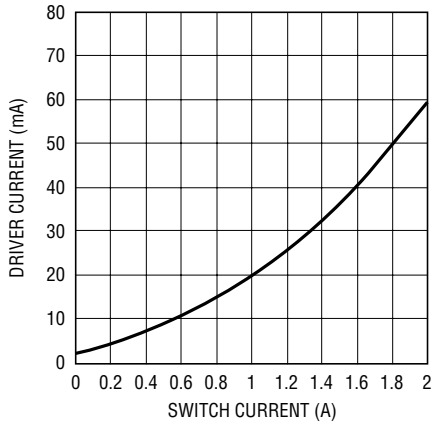
Feedback Bias Current vs Temperature



LT1072 • TPC09

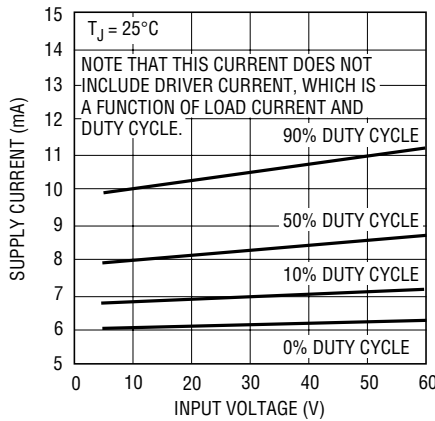
# TYPICAL PERFORMANCE CHARACTERISTICS

Driver Current\* vs Switch Current



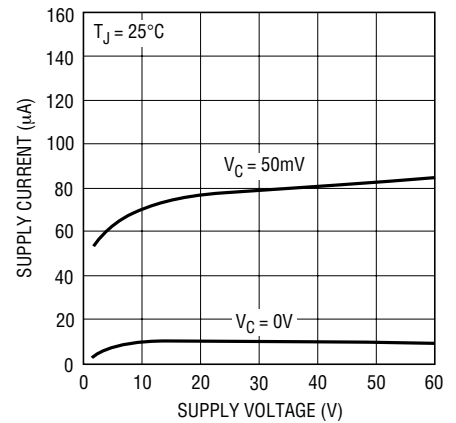
\*AVERAGE LT1072 POWER SUPPLY CURRENT IS FOUND BY MULTIPLYING DRIVER CURRENT BY DUTY CYCLE, THEN ADDING QUIESCENT CURRENT  
LT1072 • TPC10

Supply Current vs Input Voltage\*



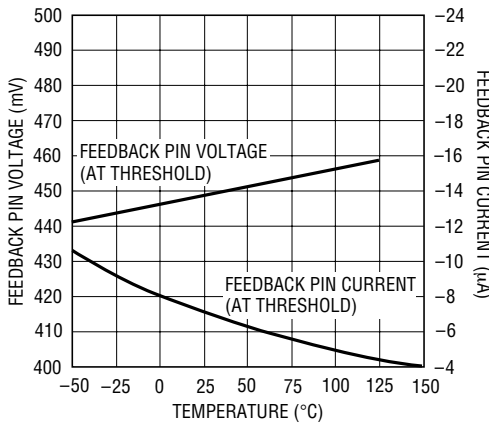
\*UNDER VERY LOW OUTPUT CURRENT CONDITIONS, DUTY CYCLE FOR MOST CIRCUITS WILL APPROACH 10% OR LESS  
LT1072 • TPC11

Supply Current vs Supply Voltage (Shutdown Mode)



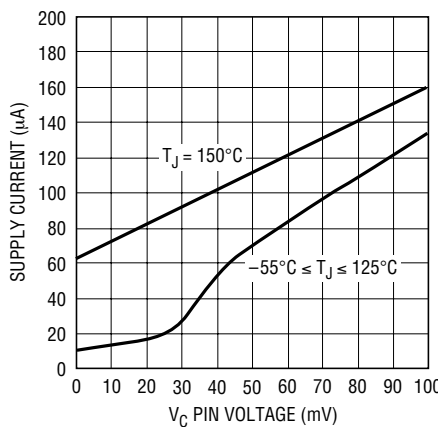
LT1072 • TPC12

Normal/Flyback Mode Threshold on Feedback Pin



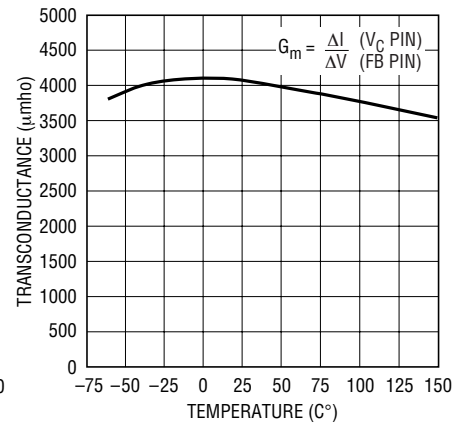
LT1072 • TPC13

Shutdown Mode Supply Current



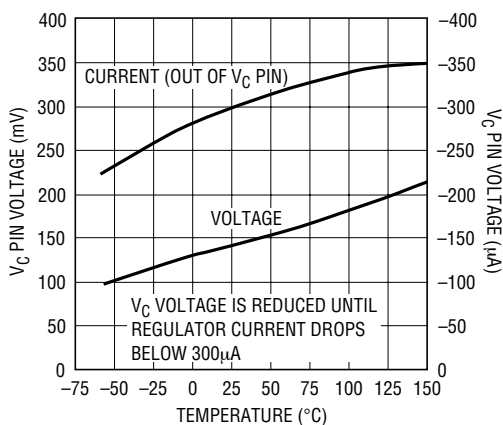
LT1072 • TPC14

Error Amplifier Transconductance



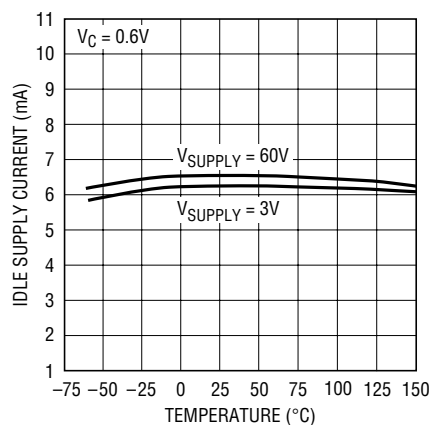
LT1072 • TPC15

Shutdown Thresholds



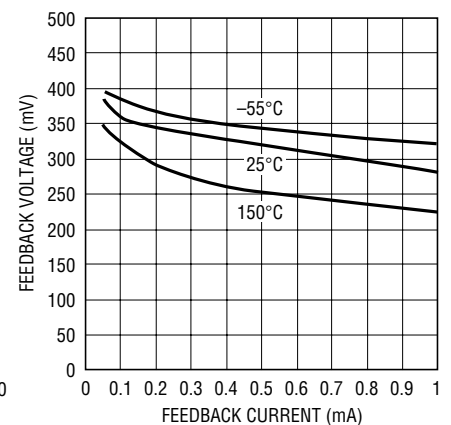
LT1072 • TPC16

Idle Supply Current vs Temperature



LT1072 • TPC17

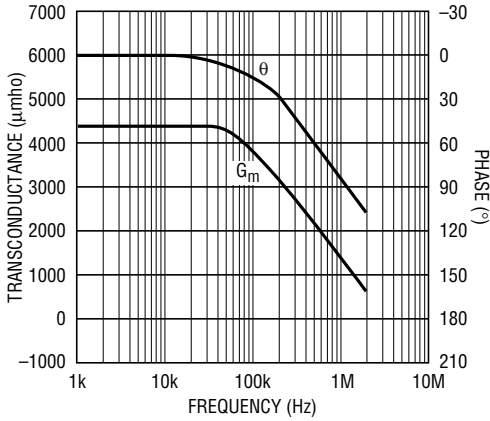
Feedback Pin Clamp Voltage



LT1072 • TPC18  
1072fc

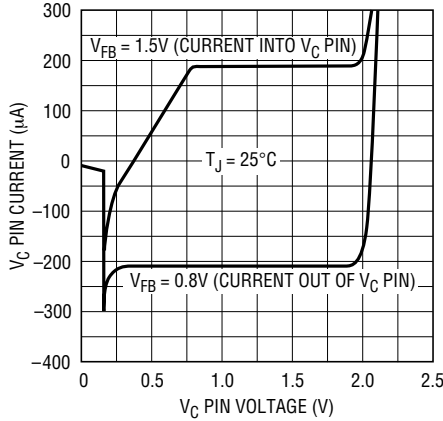
# TYPICAL PERFORMANCE CHARACTERISTICS

Transconductance of Error Amplifier



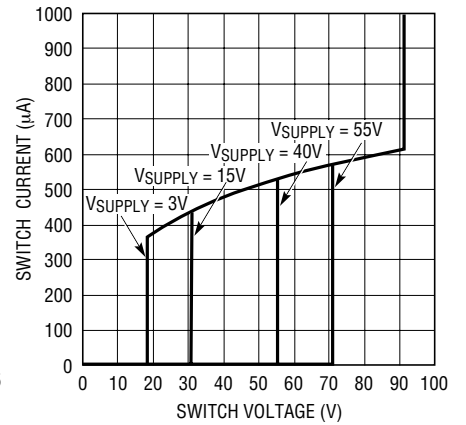
LT1072 • TPC19

V<sub>C</sub> Pin Characteristics



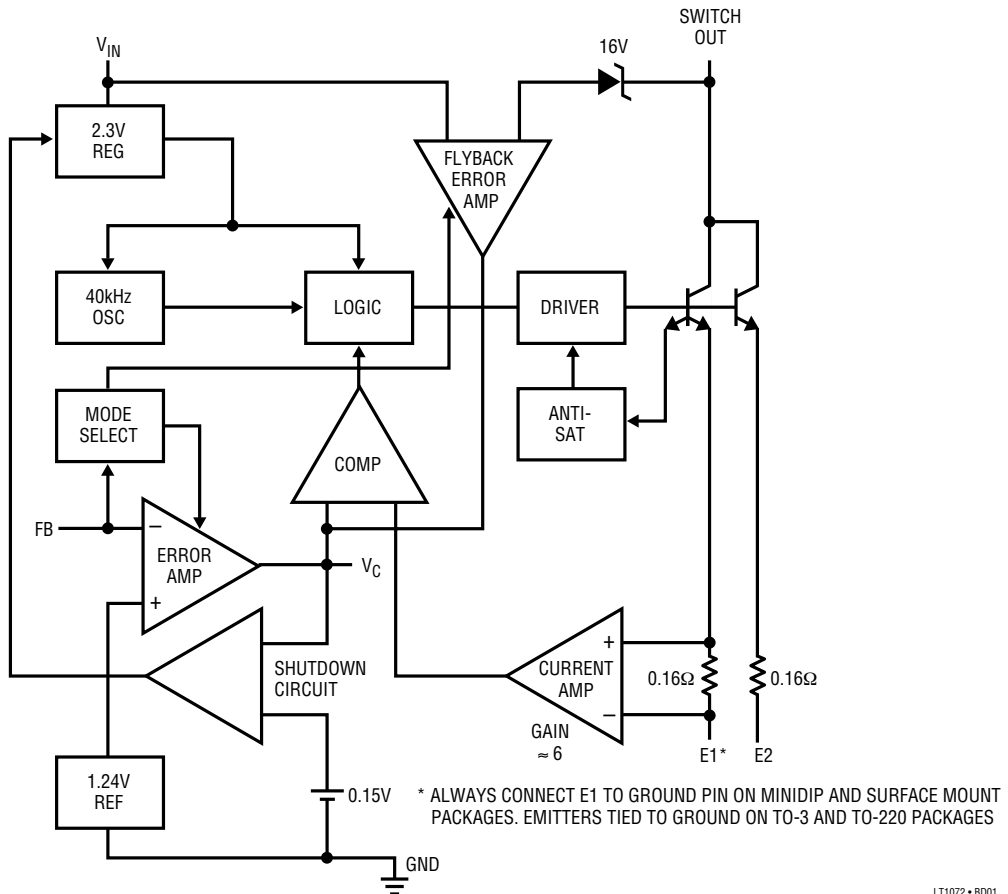
LT1072 • TPC20

Switch "Off" Characteristics



LT1072 • TPC21

# BLOCK DIAGRAM



LT1072 • 8001

## LT1072 OPERATION

The LT1072 is a current mode switcher. This means that switch duty cycle is directly controlled by switch current rather than by output voltage. Referring to the block diagram, the switch is turned “on” at the start of each oscillator cycle. It is turned “off” when switch current reaches a predetermined level. Control of output voltage is obtained by using the output of a voltage sensing error amplifier to set current trip level. This technique has several advantages. First, it has immediate response to input voltage variations, unlike ordinary switchers which have notoriously poor line transient response. Second, it reduces the 90 phase shift at midfrequencies in the energy storage inductor. This greatly simplifies closed loop frequency compensation under widely varying input voltage or output load conditions. Finally, it allows simple pulse-by-pulse current limiting to provide maximum switch protection under output overload or short conditions. A low-dropout internal regulator provides a 2.3V supply for all internal circuitry on the LT1072. This low-dropout design allows input voltage to vary from 3V to 60V with virtually no change in device performance. A 40kHz oscillator is the basic clock for all internal timing. It turns “on” the output switch via the logic and driver circuitry. Special adaptive antisat circuitry detects onset of saturation in the power switch and adjusts driver current instantaneously to limit switch saturation. This minimizes driver dissipation and provides very rapid turn-off of the switch.

A 1.2V bandgap reference biases the positive input of the error amplifier. The negative input is brought out for output voltage sensing. This feedback pin has a second function; when pulled low with an external resistor, it programs the LT1072 to disconnect the main error amplifier output and connects the output of the flyback amplifier to the comparator input. The LT1072 will then regulate the value of the flyback pulse with respect to the supply voltage. This flyback pulse is directly proportional to output voltage in the traditional transformer coupled flyback topology regulator. By regulating the amplitude of the flyback pulse, the output voltage can be regulated with no direct connection between input and output. The output is fully floating up to the breakdown voltage of the transformer windings. Multiple floating outputs are easily obtained with additional windings. A special delay network

inside the LT1072 ignores the leakage inductance spike at the leading edge of the flyback pulse to improve output regulation.

The error signal developed at the comparator input is brought out externally. This pin ( $V_C$ ) has four different functions. It is used for frequency compensation, current limit adjustment, soft starting, and total regulator shutdown. During normal regulator operation this pin sits at a voltage between 0.9V (low output current) and 2.0V (high output current). The error amplifiers are current output (gm) types, so this voltage can be externally clamped for adjusting current limit. Likewise, a capacitor coupled external clamp will provide soft start. Switch duty cycle goes to zero if the  $V_C$  pin is pulled to ground through a diode, placing the LT1072 in an idle mode. Pulling the  $V_C$  pin below 0.15V causes total regulator shutdown, with only 50 $\mu$ A supply current for shutdown circuitry biasing. See AN-19 for full application details.

### Extra Pins on the MiniDIP and Surface Mount Packages

The 8 and 16-pin versions of the LT1072 have the emitters of the power transistor brought out separately from the ground pin. This eliminates errors due to ground pin voltage drops and allows the user to reduce switch current limit 2:1 by leaving the second emitter (E2) disconnected. The first emitter (E1) should always be connected to the ground pin. Note that switch “on” resistance doubles when E2 is left open, so efficiency will suffer somewhat when switch currents exceed 100mA. Also, note that chip dissipation will actually *increase* with E2 open during normal load operation, even though dissipation in current limit mode will *decrease*. See “Thermal Considerations.”

### Thermal Considerations When Using Small Packages

The low supply current and high switch efficiency of the LT1072 allow it to be used without a heat sink in most applications when the TO-220 or TO-3 package is selected.

These packages are rated at 50°C/W and 35°C/W respectively. The small packages, however, are rated at greater than 100°C/W. Care should be taken with these packages to ensure that the worse case input voltage and load current conditions do not cause excessive die temperatures. The following formulas can be used as a



## LT1072 OPERATION

rough guide to calculate LT1072 power dissipation. For more details, the reader is referred to Application Note 19 (AN19), “Efficiency Calculations” section.

Average supply current (including driver current) is:

$$I_{IN} \approx 6\text{mA} + I_{SW}(0.004 + \text{DC}/40)$$

$I_{SW}$  = switch current

DC = switch duty cycle

Switch power dissipation is given by:

$$P_{SW} = (I_{SW})^2 \cdot R_{SW} \cdot \text{DC}$$

$R_{SW}$  = LT1072 switch “on” resistance ( $1\Omega$  maximum)

Total power dissipation is the sum of supply current times input voltage plus switch power:

$$P_{TOT} = (I_{IN})(V_{IN}) + P_{SW}$$

In a typical example, using a boost converter to generate 12V @ 0.12A from a 5V input, duty cycle is approximately 60%, and switch current is about 0.65A, yielding:

$$I_{IN} = 6\text{mA} + 0.65(0.004 + \text{DC}/40) = 18\text{mA}$$

$$P_{SW} = (0.65)^2 \cdot 1\Omega \cdot (0.6) = 0.25\text{W}$$

$$P_{TOT} = (5\text{V})(0.018\text{A}) + 0.25 = 0.34\text{W}$$

Temperature rise in a plastic miniDIP would be  $130^\circ\text{C}/\text{W}$  times 0.34W, or approximately  $44^\circ\text{C}$ . The maximum ambient temperature would be limited to  $100^\circ\text{C}$  (commercial temperature limit) minus  $44^\circ\text{C}$ , or  $56^\circ\text{C}$ .

In most applications, full load current is used to calculate die temperature. However, if overload conditions must also be accounted for, four approaches are possible. First, if loss of regulated output is acceptable under overload conditions, the internal *thermal limit* of the LT1072 will protect the die in most applications by shutting off switch current. *Thermal limit is not a tested parameter*, however, and should be considered only for non-critical applications with temporary overloads. A second approach is to use the larger TO-220 (T) or TO-3 (K) package which, even without a heat sink, may limit die temperatures to safe levels under overload conditions. In critical situations, heat sinking of these packages is required; especially if overload conditions must be tolerated for extended periods of time.

The third approach for lower current applications is to leave the second switch emitter open. This increases switch “on” resistance by 2:1, but reduces switch current limit by 2:1 also, resulting in a net 2:1 reduction in  $I^2R$  switch dissipation under current limit conditions.

The fourth approach is to clamp the  $V_C$  pin to a voltage less than its internal clamp level of 2V. The LT1072 switch current limit is zero at approximately 1V on the  $V_C$  pin and 2A at 2V on the  $V_C$  pin. Peak switch current can be externally clamped between these two levels with a diode. See AN-19 for details.

### LT1072 Synchronizing

The LT1072 can be externally synchronized in the frequency range of 48kHz to 70kHz. This is accomplished as shown in the accompanying figures. Synchronizing occurs when the  $V_C$  pin is pulled to ground with an external transistor. To avoid disturbing the DC characteristics of the internal error amplifier, the width of the synchronizing pulse should be under  $1\mu\text{s}$ . C2 sets the pulse width at  $\approx 0.35\mu\text{s}$ . The effect of a synchronizing pulse on the LT1072 amplifier offset can be calculated from:

$$\Delta V_{OS} = \frac{\left(\frac{KT}{q}\right) (t_s)(f_s) \left(I_C + \frac{V_C}{R3}\right)}{I_C}$$

$$\frac{KT}{q} = 26\text{mV at } 25^\circ\text{C}$$

$t_s$  = pulse width

$f_s$  = pulse frequency

$I_C$  = LT1072  $V_C$  source current ( $\approx 200\mu\text{A}$ )

$V_C$  = LT1072 operating  $V_C$  voltage (1V to 2V)

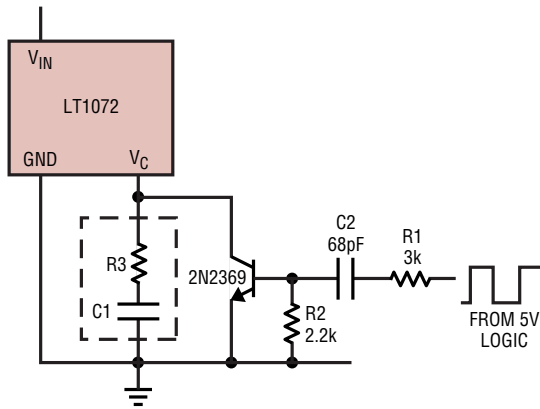
$R3$  = resistor used to set mid-frequency “zero” in LT1072 frequency compensation network.

With  $t_s = 0.35\mu\text{s}$ ,  $f_s = 50\text{kHz}$ ,  $V_C = 1.5\text{V}$ , and  $R3 = 2\text{K}\Omega$ , offset voltage shift is  $\approx 2.2\text{mV}$ . This is not particularly bothersome, but note that high offsets could result if  $R3$  were reduced to a much lower value. Also, the synchronizing transistor must sink higher currents with low values of  $R3$ , so larger drives may have to be used. The transistor must be capable of pulling the  $V_C$  pin to within 200mV of ground to ensure synchronizing.



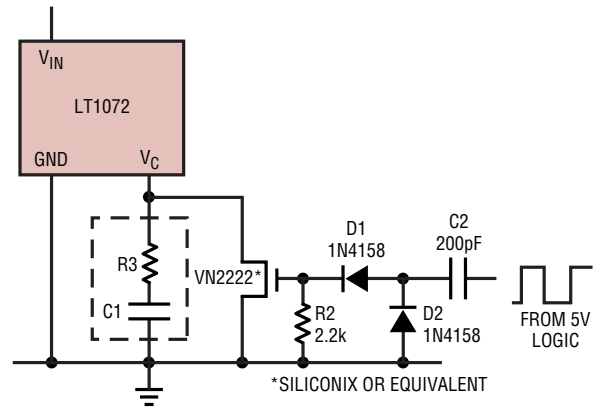
# LT1072 OPERATION

Synchronizing with Bipolar Transistor



LT1072 • OP01

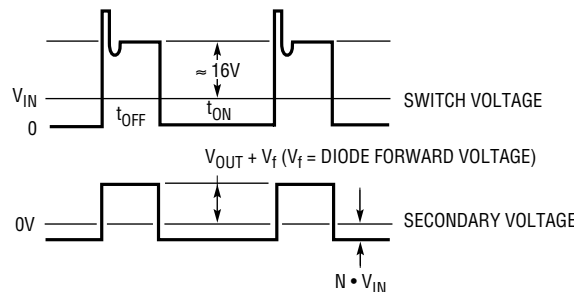
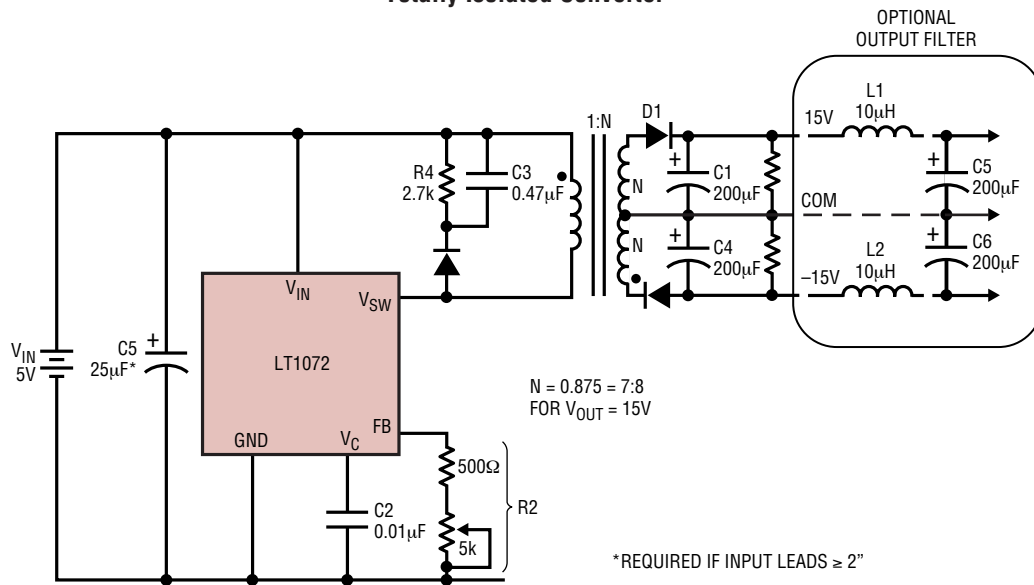
Synchronizing with MOS Transistor



LT1072 • OP02

# TYPICAL APPLICATIONS

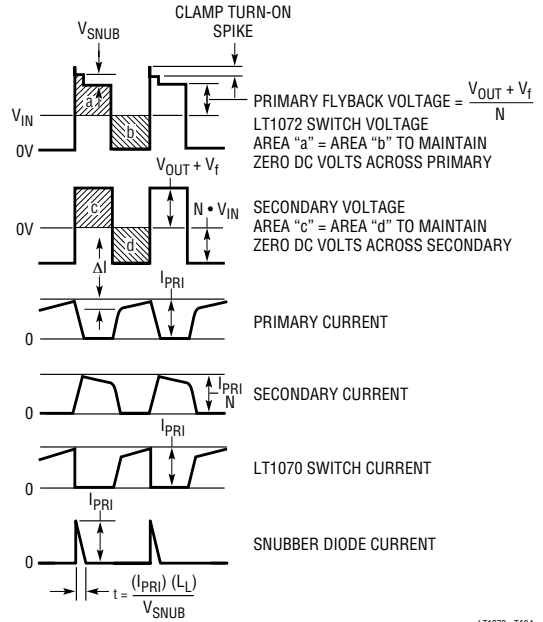
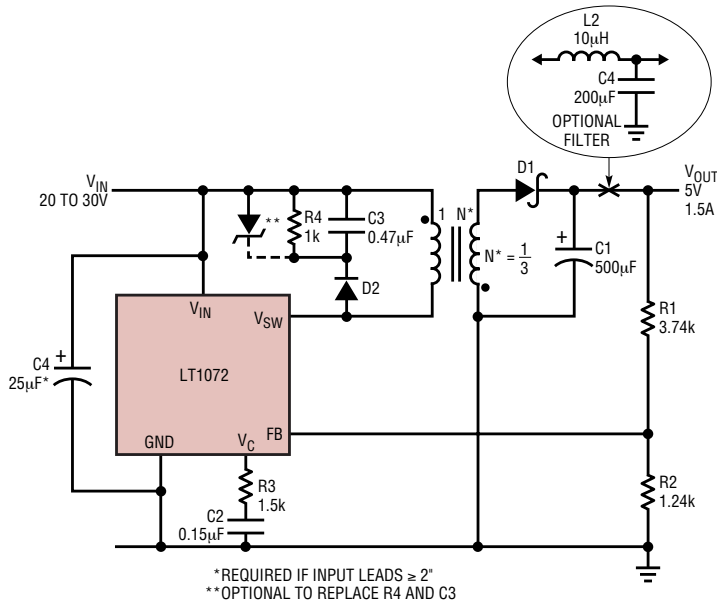
Totally Isolated Converter



LT1072 • TA03

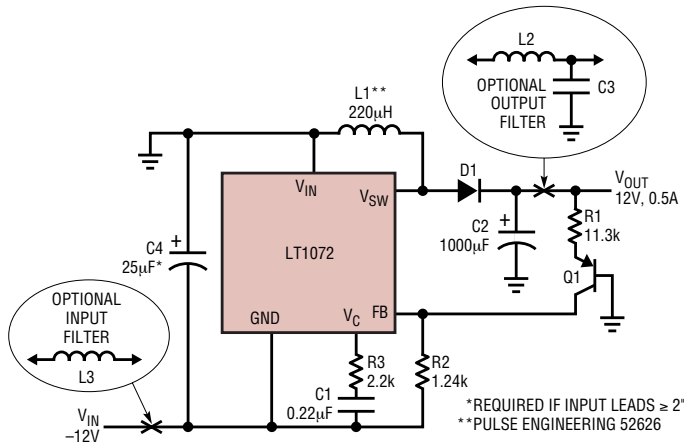
TYPICAL APPLICATIONS

Flyback Converter



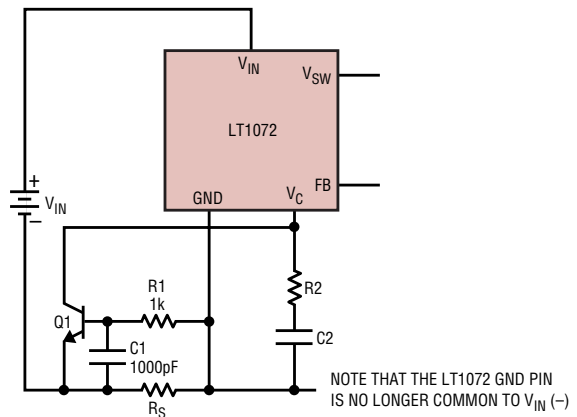
LT1072 • TA04

Negative to Positive Buck-Boost Converter



LT1072 • TA05

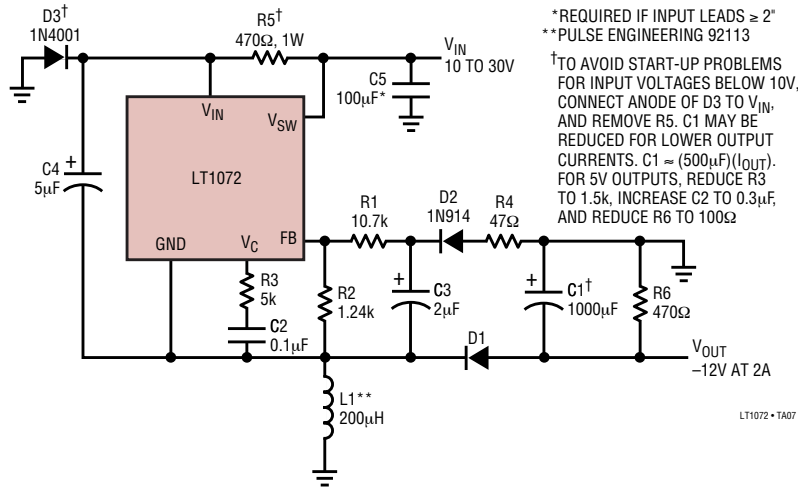
External Current Limit



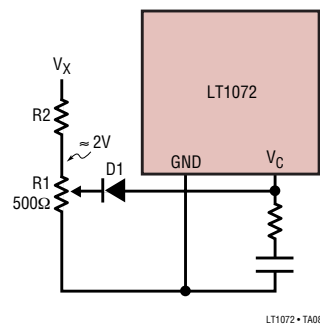
LT1072 • TA06

# TYPICAL APPLICATIONS

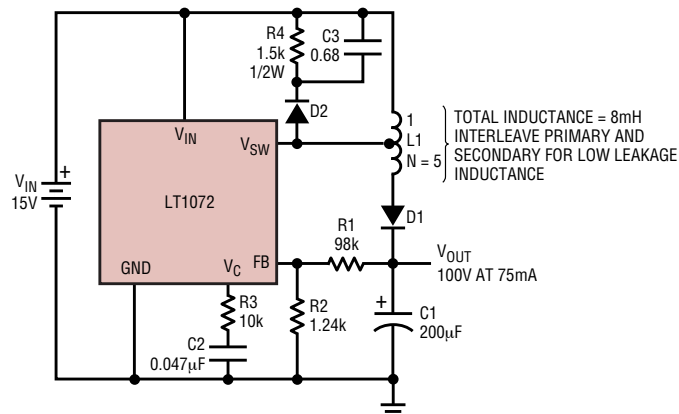
## Positive to Negative Buck-Boost Converter



## External Current Limit

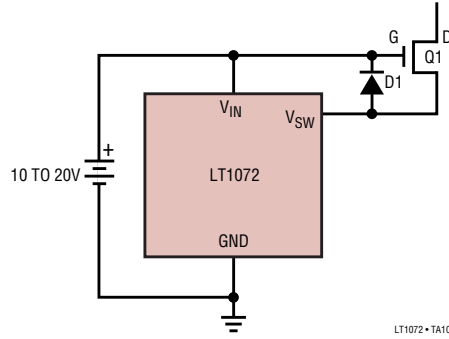


## Voltage Boosted Boost Converter

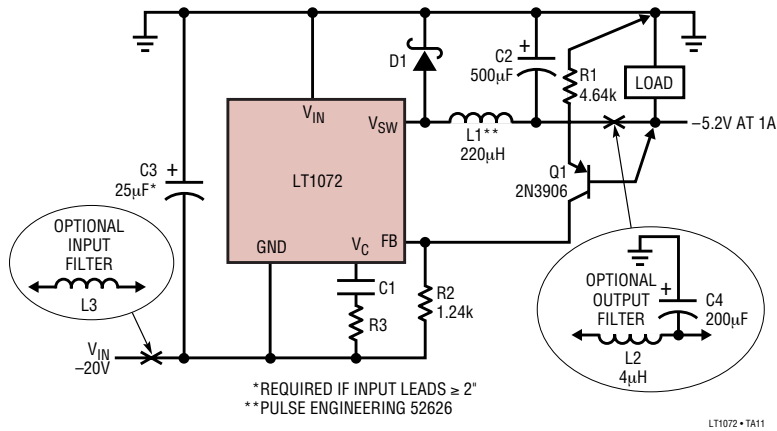


TYPICAL APPLICATIONS

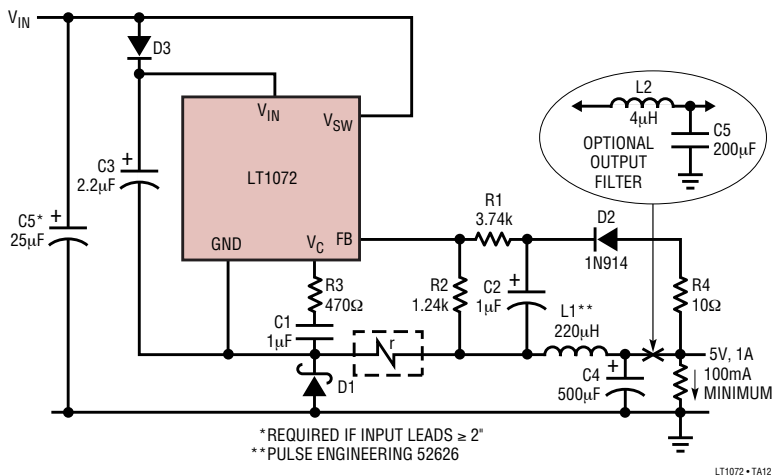
Driving High Voltage FET  
(for Offline Applications, See AN-25)



Negative Buck Converter

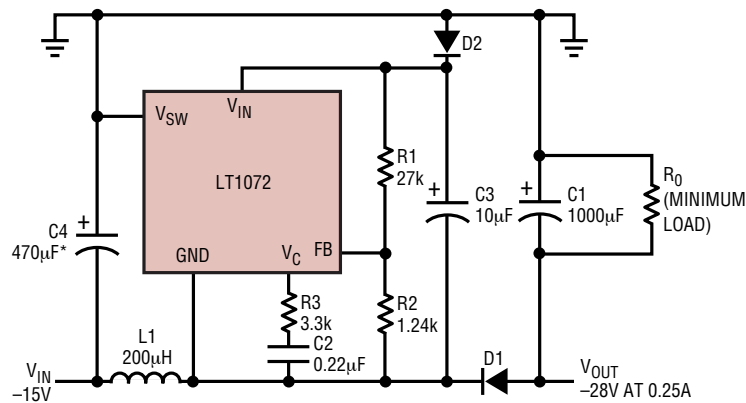


Positive Buck Converter



TYPICAL APPLICATIONS

Negative Boost Regulator

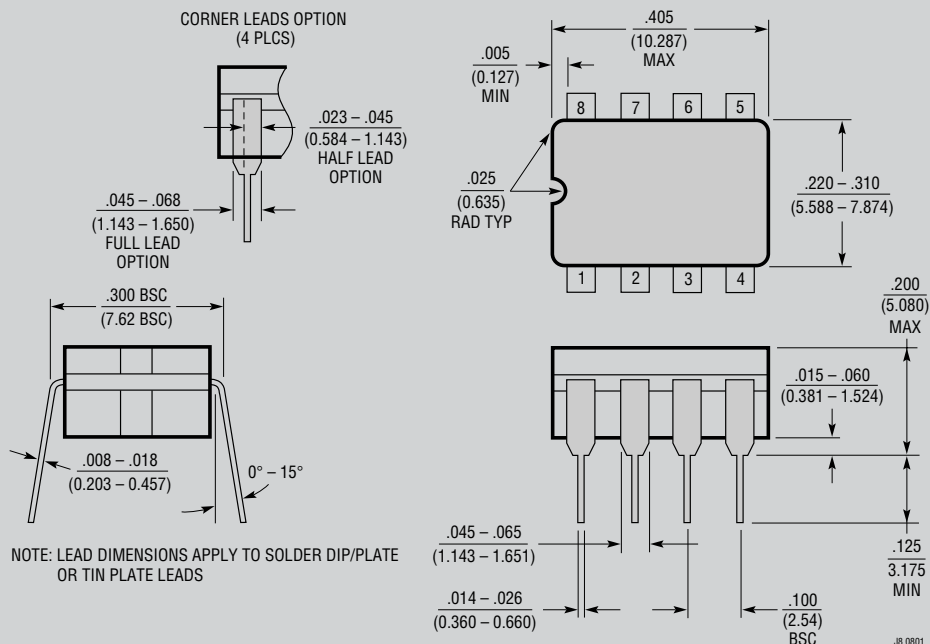


\*REQUIRED IF INPUT LEADS  $\geq 2$ "

LT1072 • TA13

PACKAGE DESCRIPTION

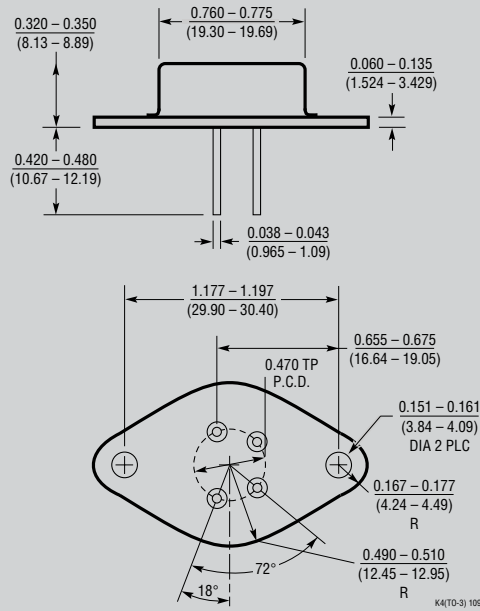
J8 Package  
8-Lead CERDIP (Narrow .300 Inch, Hermetic)  
(Reference LTC DWG # 05-08-1110)



OBSOLETE PACKAGE

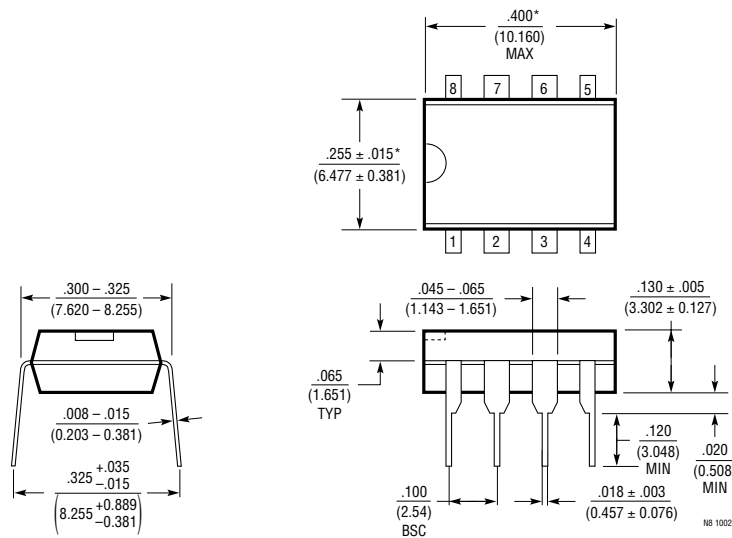
**PACKAGE DESCRIPTION**

**K Package**  
**4-Lead TO-3 Metal Can**  
 (Reference LTC DWG # 05-08-1311)



**OBSOLETE PACKAGE**

**N8 Package**  
**8-Lead PDIP (Narrow .300 Inch)**  
 (Reference LTC DWG # 05-08-1510)

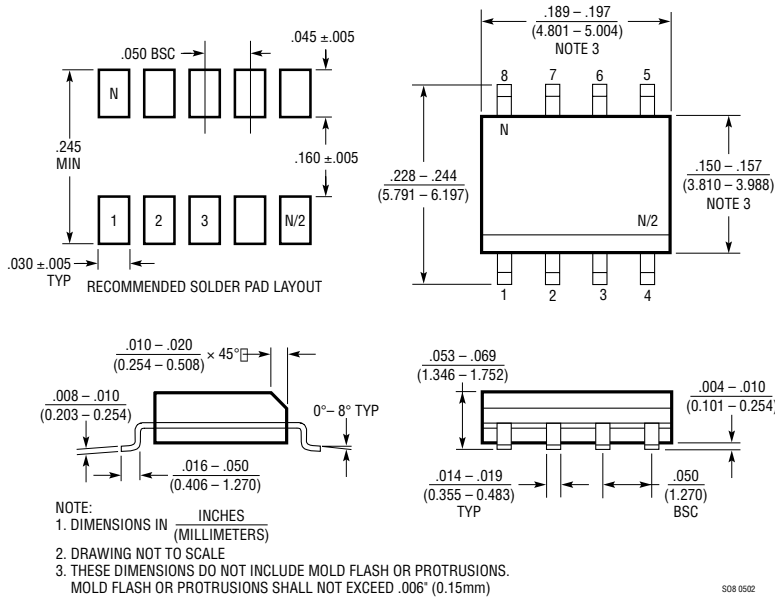


NOTE:  
 1. DIMENSIONS ARE  $\frac{\text{INCHES}}{\text{MILLIMETERS}}$   
 \*THESE DIMENSIONS DO NOT INCLUDE MOLD FLASH OR PROTRUSIONS.  
 MOLD FLASH OR PROTRUSIONS SHALL NOT EXCEED .010 INCH (0.254mm)

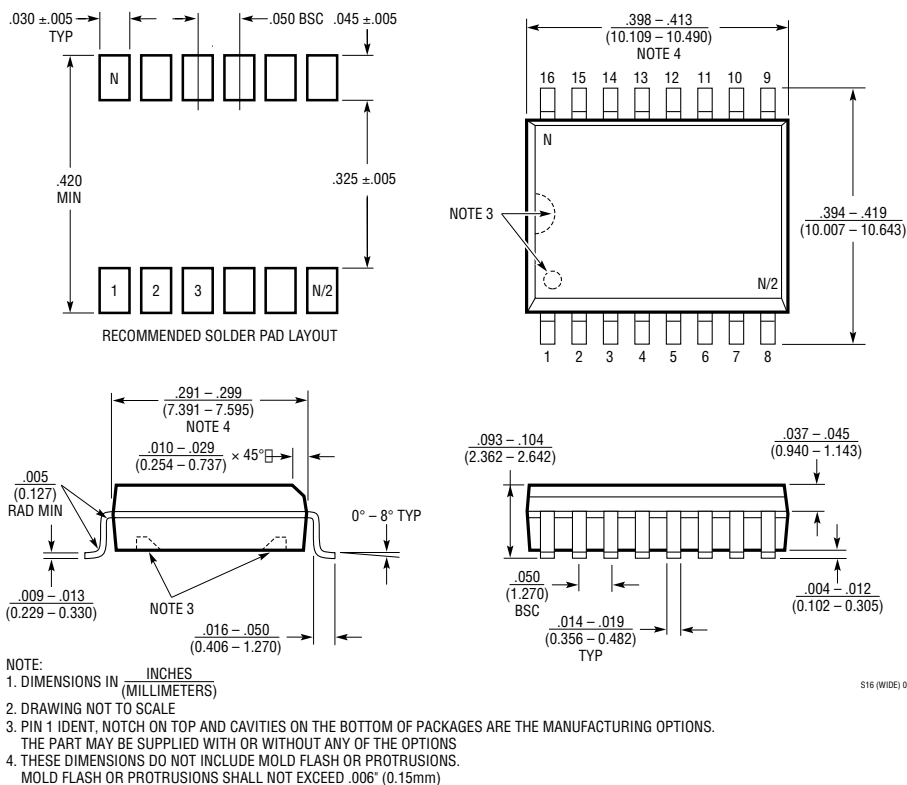


# PACKAGE DESCRIPTION

## S8 Package 8-Lead Plastic Small Outline (Narrow .150 Inch) (Reference LTC DWG # 05-08-1610)

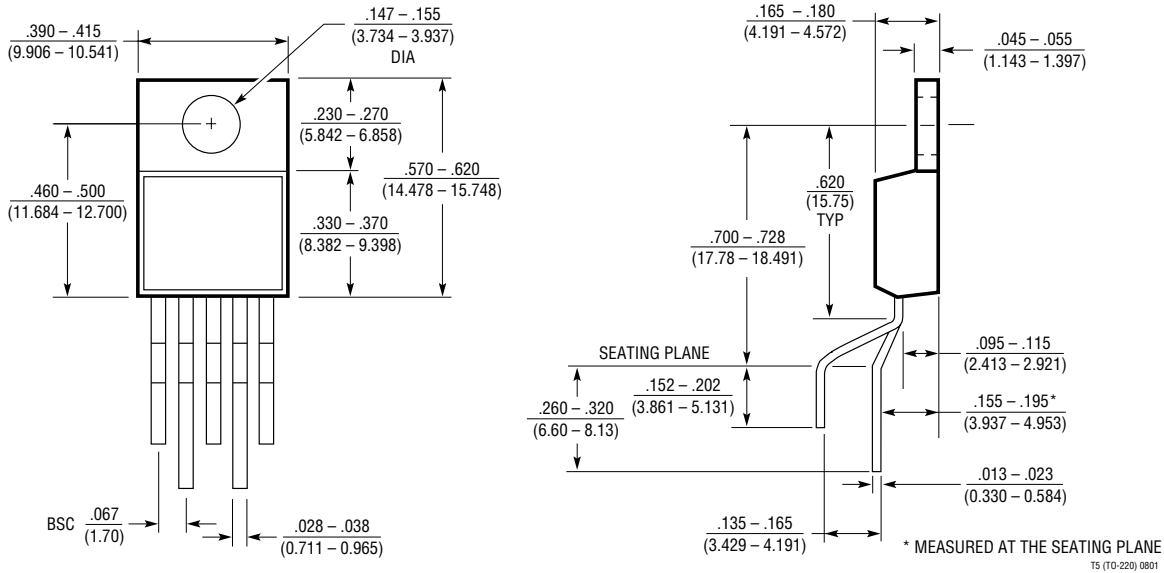


## SW Package 16-Lead Plastic Small Outline (Wide .300 Inch) (Reference LTC DWG # 05-08-1620)



**PACKAGE DESCRIPTION**

**T Package**  
**5-Lead Plastic TO-220 (Standard)**  
 (Reference LTC DWG # 05-08-1421)



**RELATED PARTS**

PART NUMBER	DESCRIPTION	COMMENTS
LT1070/HV	5A I <sub>SW</sub> , 40kHz, High Efficiency Switching Regulator	V <sub>IN</sub> =3V to 40/60V, V <sub>OUT</sub> up to 65/75V, I <sub>Q</sub> =6mA, I <sub>SD</sub> <50μA, TO220-5 Package
LT1071/HV	2.5A I <sub>SW</sub> , 40kHz, High Efficiency Switching Regulator	V <sub>IN</sub> =3V to 40/60V, V <sub>OUT</sub> up to 65/75V, I <sub>Q</sub> =6mA, I <sub>SD</sub> <50μA, TO220-5 Package
LT1082	1A I <sub>SW</sub> , 60kHz, High Efficiency Switching Regulator	V <sub>IN</sub> =3V to 75V, V <sub>OUT</sub> up to 100V, I <sub>Q</sub> =4.5mA, I <sub>SD</sub> <120μA, DD, N8, TO220-5 Packages
LT1170/HV	5A I <sub>SW</sub> , 100kHz, High Efficiency Switching Regulator	V <sub>IN</sub> =3V to 40/60V, V <sub>OUT</sub> up to 65/75V, I <sub>Q</sub> =6mA, I <sub>SD</sub> <50μA, DD, N8, S16, TO220-5 Packages
LT1171/HV	2.5A I <sub>SW</sub> , 100kHz, High Efficiency Switching Regulator	V <sub>IN</sub> =3V to 40/60V, V <sub>OUT</sub> up to 65/75V, I <sub>Q</sub> =6mA, I <sub>SD</sub> <50μA, DD, N8, S16, TO220-5 Packages
LT1172/HV	1.25A I <sub>SW</sub> , 100kHz, High Efficiency Switching Regulator	V <sub>IN</sub> =3V to 40/60V, V <sub>OUT</sub> up to 65/75V, I <sub>Q</sub> =6mA, I <sub>SD</sub> <50μA, DD, N8, S16, TO220-5 Packages
LT1307/LT1307B	600mA I <sub>SW</sub> , 600kHz, High Efficiency Switching Regulator	V <sub>IN</sub> =1V to 12V, V <sub>OUT</sub> up to 28V, I <sub>Q</sub> =50μA/1mA, I <sub>SD</sub> <1μA, MS8, N8, S8 Packages
LT1317/LT1317B	600mA I <sub>SW</sub> , 600kHz, High Efficiency Switching Regulator	V <sub>IN</sub> =1.5V to 12V, V <sub>OUT</sub> up to 28V, I <sub>Q</sub> =100μA/4.8mA, I <sub>SD</sub> <30μA/28μA, MS8, S8 Packages
LT1370/HV	6A I <sub>SW</sub> , 500kHz, High Efficiency Switching Regulator	V <sub>IN</sub> =2.7V to 30V, V <sub>OUT</sub> up to 35/42V, I <sub>Q</sub> =4.5mA, I <sub>SD</sub> <12μA, DD, TO220-7 Packages
LT1371/HV	3A I <sub>SW</sub> , 500kHz, High Efficiency Switching Regulator	V <sub>IN</sub> =2.7V to 30V, V <sub>OUT</sub> up to 35/42V, I <sub>Q</sub> =4mA, I <sub>SD</sub> <12μA, DD, S20, TO220-7 Packages