

# MAXIM

## Low-Voltage Reference

MAX8069

### General Description

The MAX8069 is a 1.2V temperature-compensated voltage reference. It uses the bandgap principle to achieve excellent stability and low noise at reverse currents down to 60µA. The MAX8069 also features excellent stability, freedom from oscillation. The MAX8069 is a functional alternative to Maxim's ICL8069 with an identical pinout.

### Applications

- Analog-to-Digital Converters
- Digital-to-Analog Converters
- Threshold Detectors
- Voltage Regulators
- Portable Instruments

### Features

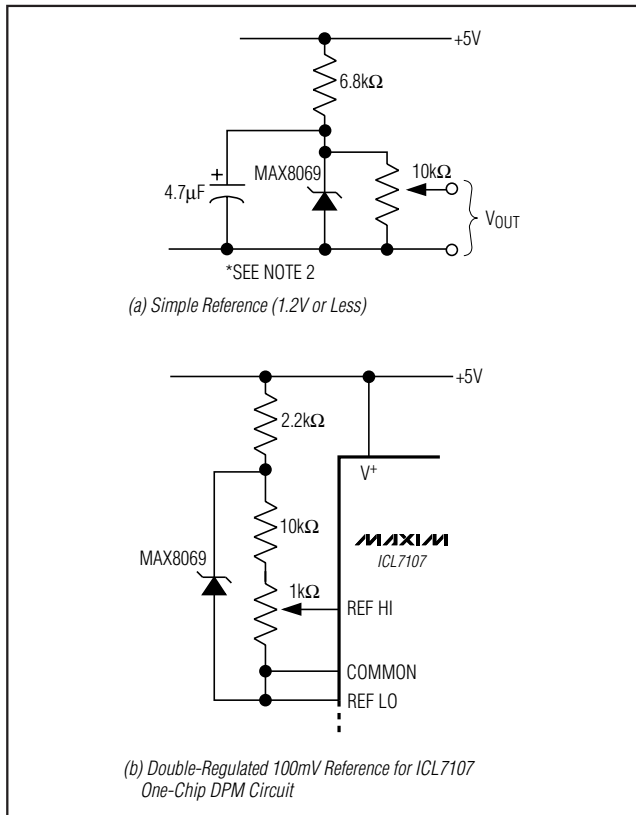
- ◆ Temperature Coefficient Guaranteed to 25ppm/°C (max)
- ◆ Low Bias Current: 60µA (min)
- ◆ Low Dynamic Impedance
- ◆ Low Reverse Voltage
- ◆ Low Cost

### Ordering Information

PART	TEMP RANGE	PIN-PACKAGE	PKG CODE
MAX8069ESA+	-40°C to +85°C	8 SO	S8-2
MAX8069CCZQ	0°C to +70°C	TO-92	C92-2

+Denotes lead-free package.

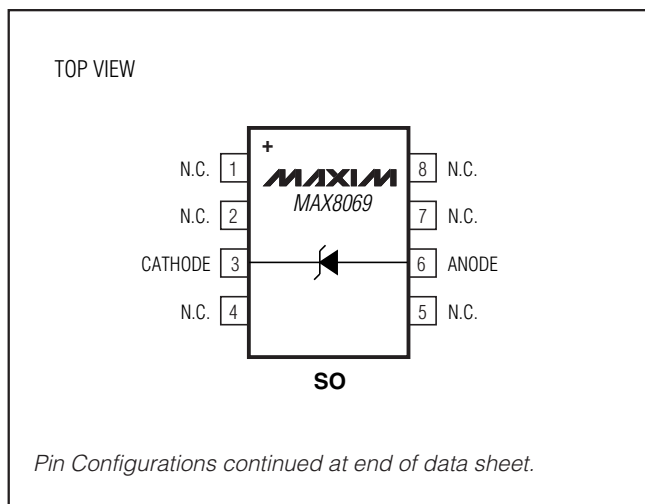
### Typical Operating Circuit



### Selector Guide

PART	TEMP RANGE	PIN-PACKAGE	MAX TEMPCO (ppm/°C)
MAX8069ESA+	-40°C to +85°C	8 SO	25
MAX8069CCZQ	0°C to +70°C	TO-92	50

### Pin Configurations



# Low-Voltage Reference

## ABSOLUTE MAXIMUM RATINGS

Reverse Voltage .....(Note 1)  
 Forward Current ..... 10mA  
 Reverse Current ..... 10mA  
 Power Dissipation ..... Limited by Max Forward/Reverse Current  
 Storage Temperature Range ..... -65°C to +150°C

Operating Temperature Range  
 MAX8069CCZQ ..... 0°C to +70°C  
 MAX8069ESA ..... -40°C to +85°C  
 Lead Temperature (soldering, 10s) ..... +300°C

**Note 1:** In normal use, the reverse voltage cannot exceed the reference voltage. However, when plugging units into a powered-up test fixture, an instantaneous voltage equal to the compliance of the test circuit will be seen. This should not exceed 20V.

*Stresses beyond those listed under "Absolute Maximum Ratings" may cause permanent damage to the device. These are stress ratings only, and functional operation of the device at these or any other conditions beyond those indicated in the operational sections of the specifications is not implied. Exposure to absolute maximum rating conditions for extended periods may affect device reliability.*

## ELECTRICAL CHARACTERISTICS

(T<sub>A</sub> = +25°C, unless otherwise noted.) (Note 2)

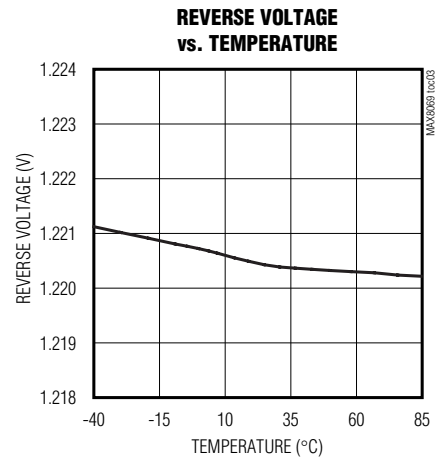
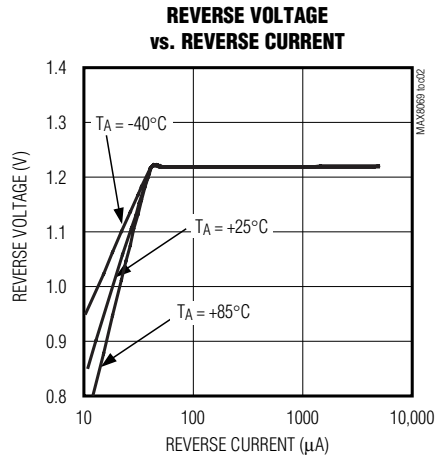
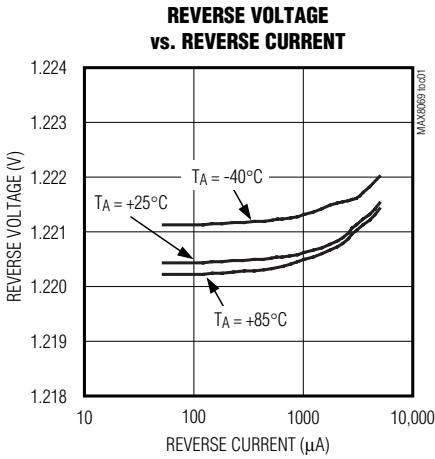
PARAMETER	CONDITIONS	MIN	TYP	MAX	UNITS
Output Voltage	I <sub>R</sub> = 500μA	1.20	1.22	1.25	V
Output Voltage Temperature Coefficient	I <sub>R</sub> = 500μA, T <sub>A</sub> = T <sub>MIN</sub> to T <sub>MAX</sub>	MAX8069ESA		25	ppm/°C
		MAX8069CCZQ		50	
Output Voltage Change	60μA ≤ I <sub>R</sub> ≤ 5mA		15	20	mV
Reverse Dynamic Impedance	I <sub>R</sub> = 60μA		1	2	Ω
	I <sub>R</sub> = 500μA		0.6	2	
Forward Voltage Drop	I <sub>R</sub> = 500μA		0.6	1	V
RMS Noise Voltage	10Hz ≤ f ≤ 10kHz, I <sub>R</sub> = 500μA		20		μV
Reverse Current Range		0.06		5.0	mA

**Note 2:** If circuit strays in excess of 200pF are anticipated, a 4.7μF shunt capacitor will ensure stability under all operating conditions.

# Low-Voltage Reference

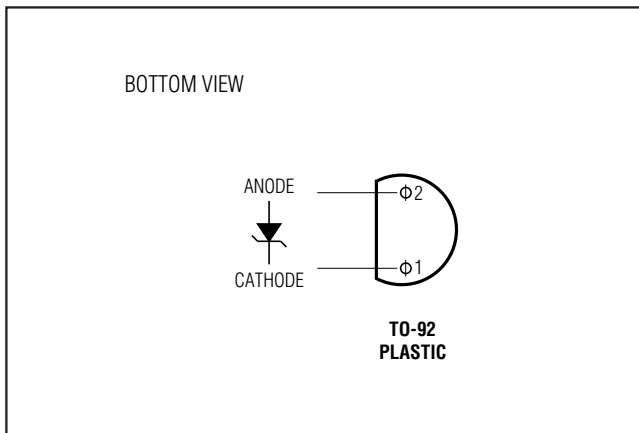
## Typical Operating Characteristics

( $T_A = +25^\circ\text{C}$ , unless otherwise noted.)



**MAX8069**

## Pin Configurations (continued)



# Low-Voltage Reference

## Package Information

(The package drawing(s) in this data sheet may not reflect the most current specifications. For the latest package outline information, go to [www.maxim-ic.com/packages](http://www.maxim-ic.com/packages).)

SOICN EPSS

DIM	INCHES		MILLIMETERS	
	MIN	MAX	MIN	MAX
A	0.053	0.069	1.35	1.75
A1	0.004	0.010	0.10	0.25
B	0.014	0.019	0.35	0.49
C	0.007	0.010	0.19	0.25
e	0.050 BSC		1.27 BSC	
E	0.150	0.157	3.80	4.00
H	0.228	0.244	5.80	6.20
L	0.016	0.050	0.40	1.27

VARIATIONS:

DIM	INCHES		MILLIMETERS		N	MS012
	MIN	MAX	MIN	MAX		
D	0.189	0.197	4.80	5.00	8	AA
D	0.337	0.344	8.55	8.75	14	AB
D	0.386	0.394	9.80	10.00	16	AC

**NOTES:**

1. D&E DO NOT INCLUDE MOLD FLASH.
2. MOLD FLASH OR PROTRUSIONS NOT TO EXCEED 0.15mm (.006").
3. LEADS TO BE COPLANAR WITHIN 0.10mm (.004").
4. CONTROLLING DIMENSION: MILLIMETERS.
5. MEETS JEDEC MS012.
6. N = NUMBER OF PINS.

**DALLAS SEMICONDUCTOR** **MAXIM**

PROPRIETARY INFORMATION

TITLE:  
**PACKAGE OUTLINE, .150" SOIC**

APPROVAL	DOCUMENT CONTROL NO. <b>21-0041</b>	REV. <b>B</b>	<b>1/1</b>
----------	--	---------------	------------

## Revision History

Pages changed at Rev 1: 1, 2, 4.

Maxim cannot assume responsibility for use of any circuitry other than circuitry entirely embodied in a Maxim product. No circuit patent licenses are implied. Maxim reserves the right to change the circuitry and specifications without notice at any time.

**4** \_\_\_\_\_ **Maxim Integrated Products, 120 San Gabriel Drive, Sunnyvale, CA 94086 408-737-7600**

© 2006 Maxim Integrated Products

**MAXIM** is a registered trademark of Maxim Integrated Products, Inc.