

# LM2907/LM2917 Frequency to Voltage Converter

## General Description

The LM2907, LM2917 series are monolithic frequency to voltage converters with a high gain op amp/comparator designed to operate a relay, lamp, or other load when the input frequency reaches or exceeds a selected rate. The tachometer uses a charge pump technique and offers frequency doubling for low ripple, full input protection in two versions (LM2907-8, LM2917-8) and its output swings to ground for a zero frequency input.

The op amp/comparator is fully compatible with the tachometer and has a floating transistor as its output. This feature allows either a ground or supply referred load of up to 50 mA. The collector may be taken above  $V_{CC}$  up to a maximum  $V_{CE}$  of 28V.

The two basic configurations offered include an 8-pin device with a *ground referenced tachometer* input and an internal connection between the tachometer output and the op amp non-inverting input. This version is well suited for single speed or frequency switching or fully buffered frequency to voltage conversion applications.

The more versatile configurations provide differential tachometer input and uncommitted op amp inputs. With this version the tachometer input may be floated and the op amp becomes suitable for active filter conditioning of the tachometer output.

Both of these configurations are available with an active shunt regulator connected across the power leads. The regulator clamps the supply such that stable frequency to voltage and frequency to current operations are possible with any supply voltage and a suitable resistor.

## Advantages

- Output swings to ground for zero frequency input
- Easy to use;  $V_{OUT} = f_{IN} \times V_{CC} \times R1 \times C1$

- Only one RC network provides frequency doubling
- Zener regulator on chip allows accurate and stable frequency to voltage or current conversion (LM2917)

## Features

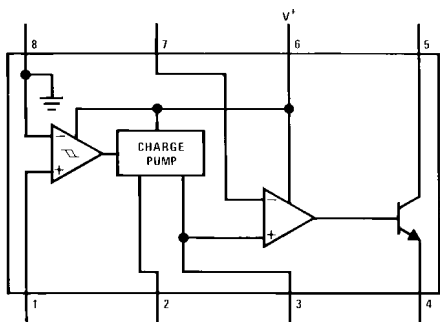
- Ground referenced tachometer input interfaces directly with variable reluctance magnetic pickups
- Op amp/comparator has floating transistor output
- 50 mA sink or source to operate relays, solenoids, meters, or LEDs
- Frequency doubling for low ripple
- Tachometer has built-in hysteresis with either differential input or ground referenced input
- Built-in zener on LM2917
- $\pm 0.3\%$  linearity typical
- Ground referenced tachometer is fully protected from damage due to swings above  $V_{CC}$  and below ground

## Applications

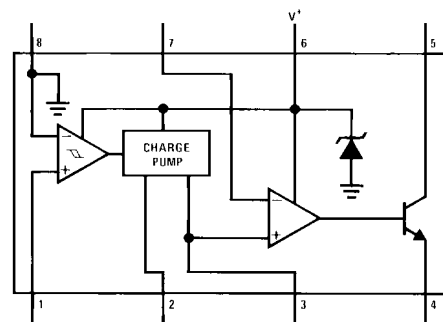
- Over/under speed sensing
- Frequency to voltage conversion (tachometer)
- Speedometers
- Breaker point dwell meters
- Hand-held tachometer
- Speed governors
- Cruise control
- Automotive door lock control
- Clutch control
- Horn control
- Touch or sound switches

## Connection Diagrams

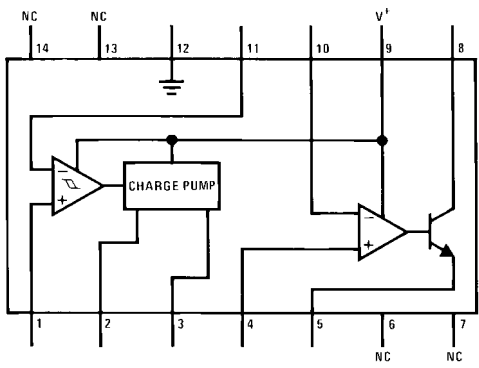
Dual-In-Line and Small Outline Packages, Top Views



Order Number LM2907M-8 or LM2907N-8  
See NS Package Number M08A or N08E

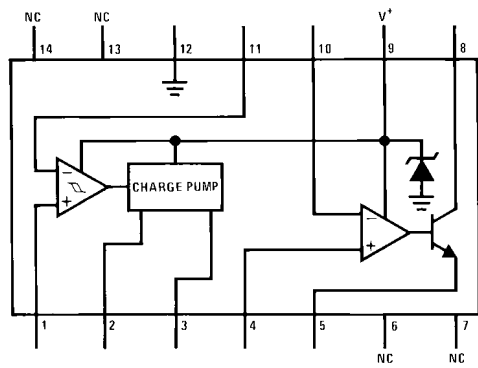


Order Number LM2917M-8 or LM2917N-8  
See NS Package Number M08A or N08E



Order Number LM2907M or LM2907N  
See NS Package Number M14A or N14A

794203



Order Number LM2917M or LM2917N  
See NS Package Number M14A or N14A

794204

### Ordering Information

Order Number	Package Type	Package Number	Package Marking	Supplied As
LM2907M-8	8-Pin SOIC Narrow	M08A	LM2907M-8	Rail of 95
LM2907MX-8	8-Pin SOIC Narrow	M08A	LM2907M-8	Reel of 2500
LM2907M	14-Pin SOIC Narrow	M14A	LM2907M	Rail of 55
LM2907MX	14-Pin SOIC Narrow	M14A	LM2907M	Reel of 2500
LM2907N-8	8-Pin Molded DIP	N08E	LM2907N-8	Rail of 40
LM2907N	14-Pin Molded DIP	N14A	LM2907N	Rail of 25
LM2917M-8	8-Pin SOIC Narrow	M08A	LM2917M-8	Rail of 95
LM2917MX-8	8-Pin SOIC Narrow	M08A	LM2917M-8	Reel of 2500
LM2917M	14-Pin SOIC Narrow	M14A	LM2917M	Rail of 55
LM2917MX	14-Pin SOIC Narrow	M14A	LM2917M	Reel of 2500
LM2917N-8	8-Pin Molded DIP	N08E	LM2917N-8	Rail of 40
LM2917N	14-Pin Molded DIP	N14A	LM2917N	Rail of 25

**Absolute Maximum Ratings** (Note 1)

If Military/Aerospace specified devices are required, please contact the National Semiconductor Sales Office/Distributors for availability and specifications.

Supply Voltage	28V
Supply Current (Zener Options)	25 mA
Collector Voltage	28V
Differential Input Voltage	
Tachometer	28V
Op Amp/Comparator	28V
Input Voltage Range	
Tachometer	
LM2907-8, LM2917-8	±28V
LM2907, LM2917	0.0V to +28V

Op Amp/Comparator	0.0V to +28V
Power Dissipation	
LM2907-8, LM2917-8	1200 mW
LM2907-14, LM2917-14	1580 mW
See (Note 1)	
Operating Temperature Range	-40°C to +85°C
Storage Temperature Range	-65°C to +150°C
Soldering Information	
Dual-In-Line Package	
Soldering (10 seconds)	260°C
Small Outline Package	
Vapor Phase (60 seconds)	215°C
Infrared (15 seconds)	220°C

**Electrical Characteristics**

$V_{CC} = 12 V_{DC}$ ,  $T_A = 25^\circ C$ , see test circuit

Symbol	Parameter	Conditions	Min	Typ	Max	Units
<b>TACHOMETER</b>						
	Input Thresholds	$V_{IN} = 250 \text{ mVp-p @ 1 kHz}$ (Note 2)	±10	±25	±40	mV
	Hysteresis	$V_{IN} = 250 \text{ mVp-p @ 1 kHz}$ (Note 2)		30		mV
	Offset Voltage	$V_{IN} = 250 \text{ mVp-p @ 1 kHz}$ (Note 2)				
	LM2907/LM2917			3.5	10	mV
	LM2907-8/LM2917-8			5	15	mV
	Input Bias Current	$V_{IN} = \pm 50 \text{ mV}_{DC}$		0.1	1	µA
$V_{OH}$	Pin 2	$V_{IN} = +125 \text{ mV}_{DC}$ (Note 3)		8.3		V
$V_{OL}$	Pin 2	$V_{IN} = -125 \text{ mV}_{DC}$ (Note 3)		2.3		V
$I_2, I_3$	Output Current	$V_2 = V_3 = 6.0V$ (Note 4)	140	180	240	µA
$I_3$	Leakage Current	$I_2 = 0, V_3 = 0$			0.1	µA
K	Gain Constant	(Note 3)	0.9	1.0	1.1	
	Linearity	$f_{IN} = 1 \text{ kHz}, 5 \text{ kHz}, 10 \text{ kHz}$ (Note 5)	-1.0	0.3	+1.0	%
<b>OP/AMP COMPARATOR</b>						
$V_{OS}$		$V_{IN} = 6.0V$		3	10	mV
$I_{BIAS}$		$V_{IN} = 6.0V$		50	500	nA
	Input Common-Mode Voltage		0		$V_{CC} - 1.5V$	V
	Voltage Gain			200		V/mV
	Output Sink Current	$V_C = 1.0$	40	50		mA
	Output Source Current	$V_E = V_{CC} - 2.0$		10		mA
	Saturation Voltage	$I_{SINK} = 5 \text{ mA}$		0.1	0.5	V
		$I_{SINK} = 20 \text{ mA}$			1.0	V
		$I_{SINK} = 50 \text{ mA}$		1.0	1.5	V
<b>ZENER REGULATOR</b>						
	Regulator Voltage	$R_{DROP} = 470\Omega$		7.56		V
	Series Resistance			10.5	15	Ω
	Temperature Stability			+1		mV/°C
	Total Supply Current			3.8	6	mA

**Note 1:** For operation in ambient temperatures above 25°C, the device must be derated based on a 150°C maximum junction temperature and a thermal resistance of 101°C/W junction to ambient for LM2907-8 and LM2917-8, and 79°C/W junction to ambient for LM2907-14 and LM2917-14.

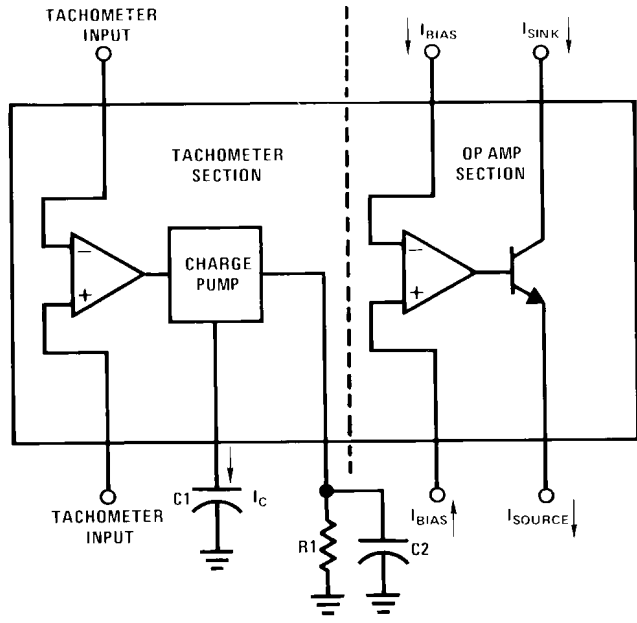
**Note 2:** Hysteresis is the sum  $+V_{TH} - (-V_{TH})$ , offset voltage is their difference. See test circuit.

**Note 3:**  $V_{OH}$  is equal to  $\frac{3}{4} \times V_{CC} - 1 V_{BE}$ ,  $V_{OL}$  is equal to  $\frac{1}{4} \times V_{CC} - 1 V_{BE}$  therefore  $V_{OH} - V_{OL} = V_{CC}/2$ . The difference,  $V_{OH} - V_{OL}$ , and the mirror gain,  $I_2/I_3$ , are the two factors that cause the tachometer gain constant to vary from 1.0.

**Note 4:** Be sure when choosing the time constant  $R1 \times C1$  that  $R1$  is such that the maximum anticipated output voltage at pin 3 can be reached with  $I_3 \times R1$ . The maximum value for  $R1$  is limited by the output resistance of pin 3 which is greater than 10 MΩ typically.

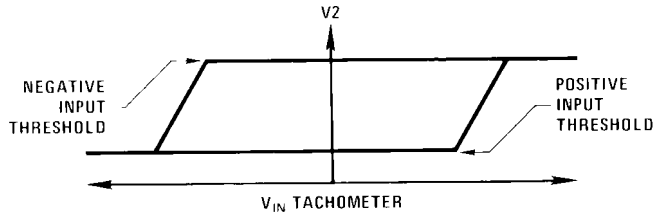
**Note 5:** Nonlinearity is defined as the deviation of  $V_{OUT}$  (@ pin 3) for  $f_{IN} = 5$  kHz from a straight line defined by the  $V_{OUT}$  @ 1 kHz and  $V_{OUT}$  @ 10 kHz.  $C1 = 1000$  pF,  $R1 = 68k$  and  $C2 = 0.22$  mFd.

### Test Circuit and Waveform



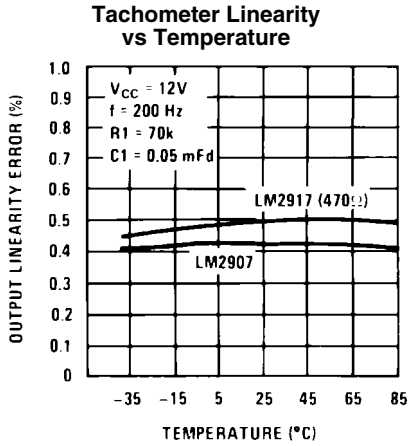
794206

**Tachometer Input Threshold Measurement**

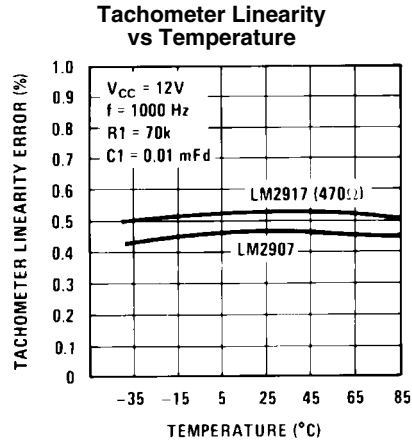


794207

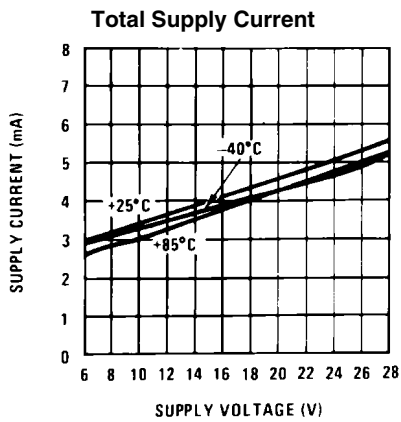
# Typical Performance Characteristics



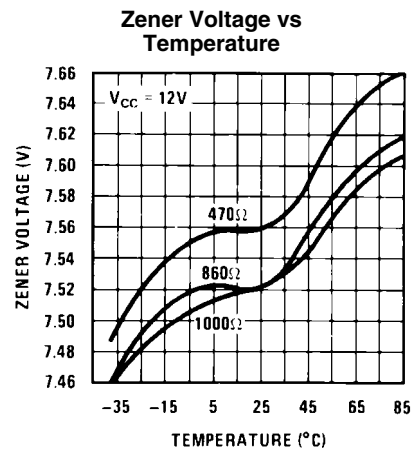
794246



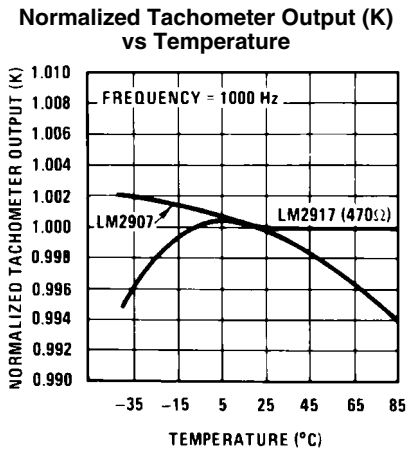
794247



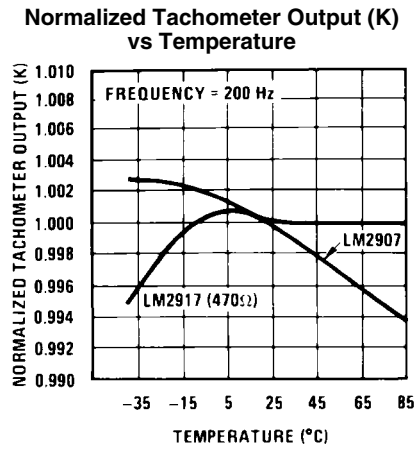
794240



794241

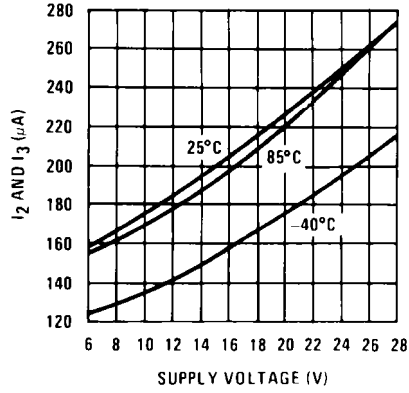


794242



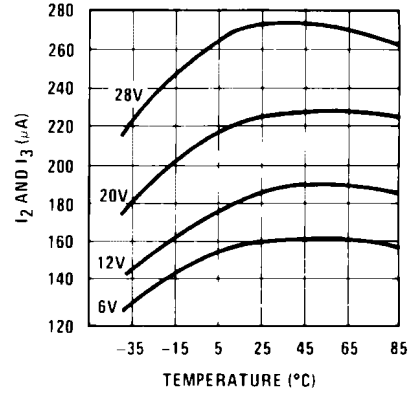
794243

Tachometer Currents  $I_2$  and  $I_3$  vs Supply Voltage



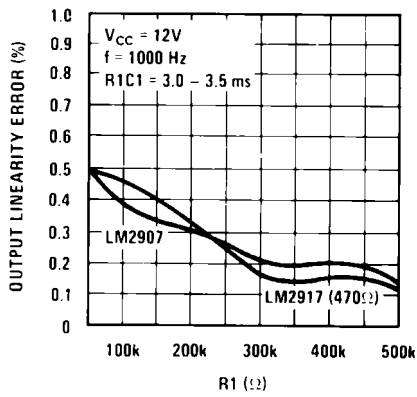
794244

Tachometer Currents  $I_2$  and  $I_3$  vs Temperature



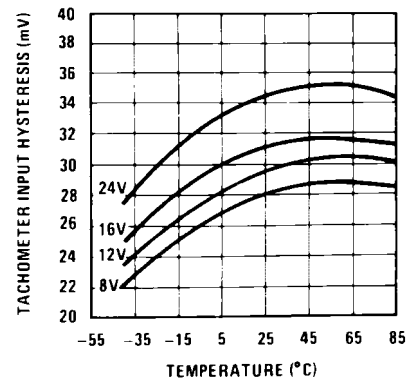
794245

Tachometer Linearity vs R1



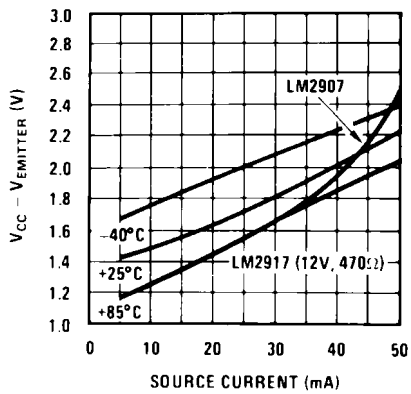
794248

Tachometer Input Hysteresis vs Temperature



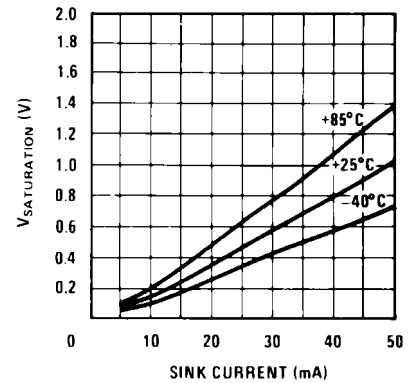
794249

Op Amp Output Transistor Characteristics



794250

Op Amp Output Transistor Characteristics



794251

## Applications Information

The LM2907 series of tachometer circuits is designed for minimum external part count applications and maximum versatility. In order to fully exploit its features and advantages let's examine its theory of operation. The first stage of operation is a differential amplifier driving a positive feedback flip-flop circuit. The input threshold voltage is the amount of differential input voltage at which the output of this stage changes state. Two options (LM2907-8, LM2917-8) have one input internally grounded so that an input signal must swing above and below ground and exceed the input thresholds to produce an output. This is offered specifically for magnetic variable reluctance pickups which typically provide a single-ended ac output. This single input is also fully protected against voltage swings to  $\pm 28V$ , which are easily attained with these types of pickups.

The differential input options (LM2907, LM2917) give the user the option of setting his own input switching level and still have the hysteresis around that level for excellent noise rejection in any application. Of course in order to allow the inputs to attain common-mode voltages above ground, input protection is removed and neither input should be taken outside the limits of the supply voltage being used. It is very important that an input not go below ground without some resistance in its lead to limit the current that will then flow in the epi-substrate diode.

Following the input stage is the charge pump where the input frequency is converted to a dc voltage. To do this requires one timing capacitor, one output resistor, and an integrating or filter capacitor. When the input stage changes state (due to a suitable zero crossing or differential voltage on the input) the timing capacitor is either charged or discharged linearly between two voltages whose difference is  $V_{CC}/2$ . Then in one half cycle of the input frequency or a time equal to  $1/2 f_{IN}$  the change in charge on the timing capacitor is equal to  $V_{CC}/2 \times C1$ . The average amount of current pumped into or out of the capacitor then is:

$$\frac{\Delta Q}{T} = i_{c(AVG)} = C1 \times \frac{V_{CC}}{2} \times (2f_{IN}) = V_{CC} \times f_{IN} \times C1$$

The output circuit mirrors this current very accurately into the load resistor R1, connected to ground, such that if the pulses of current are integrated with a filter capacitor, then  $V_O = i_c \times R1$ , and the total conversion equation becomes:

$$V_O = V_{CC} \times f_{IN} \times C1 \times R1 \times K$$

Where K is the gain constant—typically 1.0.

The size of C2 is dependent only on the amount of ripple voltage allowable and the required response time.

### CHOOSING R1 AND C1

There are some limitations on the choice of R1 and C1 which should be considered for optimum performance. The timing capacitor also provides internal compensation for the charge pump and should be kept larger than 500 pF for very accurate operation. Smaller values can cause an error current on R1, especially at low temperatures. Several considerations must be met when choosing R1. The output current at pin 3 is internally fixed and therefore  $V_O/R1$  must be less than or equal to this value. If R1 is too large, it can become a significant fraction of the output impedance at pin 3 which degrades linearity. Also output ripple voltage must be considered and the size of C2 is affected by R1. An expression that describes the ripple content on pin 3 for a single R1C2 combination is:

$$V_{RIPPLE} = \frac{V_{CC}}{2} \times \frac{C1}{C2} \times \left(1 - \frac{V_{CC} \times f_{IN} \times C1}{I_2}\right) \text{pk-pk}$$

It appears R1 can be chosen independent of ripple, however response time, or the time it takes  $V_{OUT}$  to stabilize at a new voltage increases as the size of C2 increases, so a compromise between ripple, response time, and linearity must be chosen carefully.

As a final consideration, the maximum attainable input frequency is determined by  $V_{CC}$ , C1 and  $I_2$ :

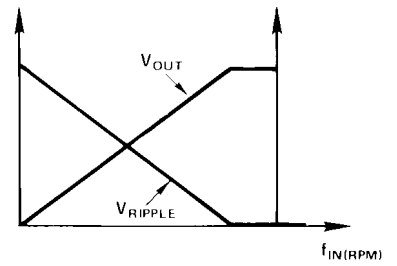
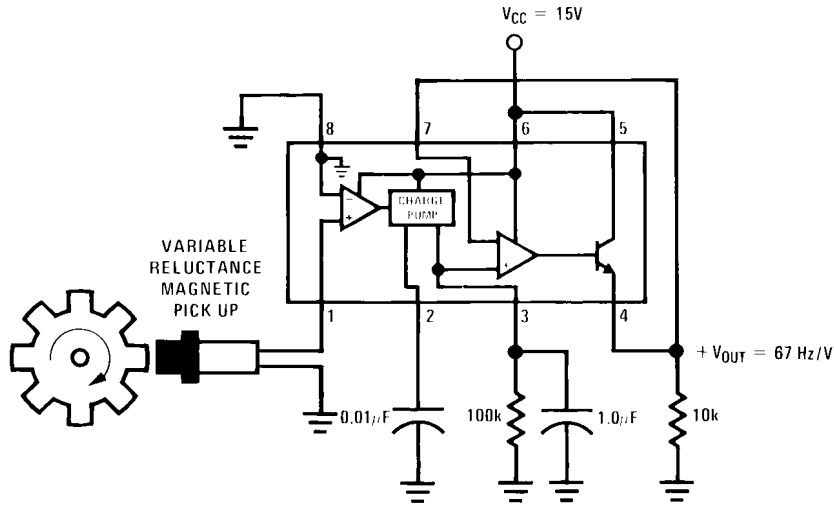
$$f_{MAX} = \frac{I_2}{C1 \times V_{CC}}$$

### USING ZENER REGULATED OPTIONS (LM2917)

For those applications where an output voltage or current must be obtained independent of supply voltage variations, the LM2917 is offered. The most important consideration in choosing a dropping resistor from the unregulated supply to the device is that the tachometer and op amp circuitry alone require about 3 mA at the voltage level provided by the zener. At low supply voltages there must be some current flowing in the resistor above the 3 mA circuit current to operate the regulator. As an example, if the raw supply varies from 9V to 16V, a resistance of 470 $\Omega$  will minimize the zener voltage variation to 160 mV. If the resistance goes under 400 $\Omega$  or over 600 $\Omega$  the zener variation quickly rises above 200 mV for the same input variation.

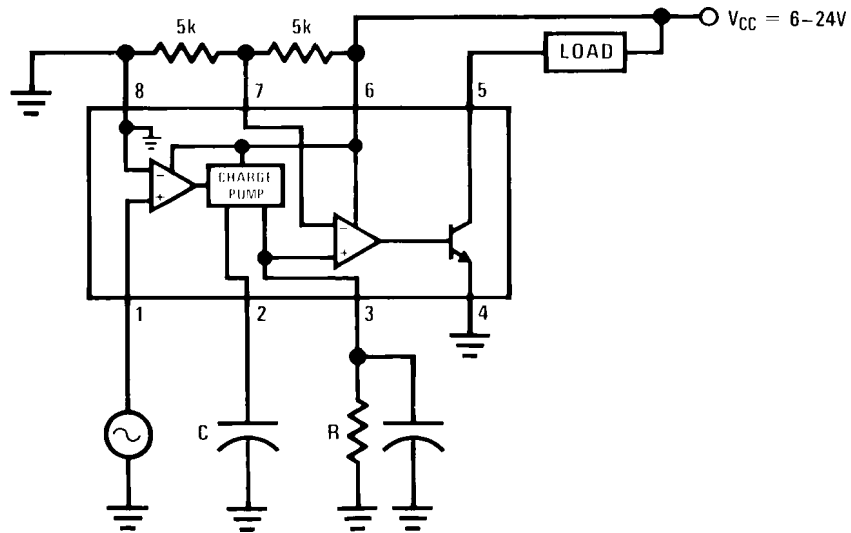
# Typical Applications

Minimum Component Tachometer



794208

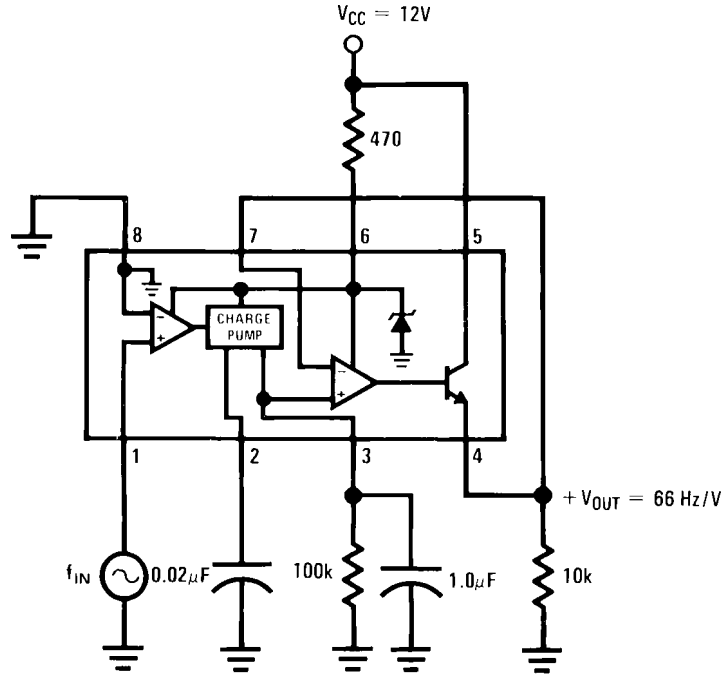
"Speed Switch", Load is Energized when  $f_{IN} \geq (1 / (2RC))$



794209

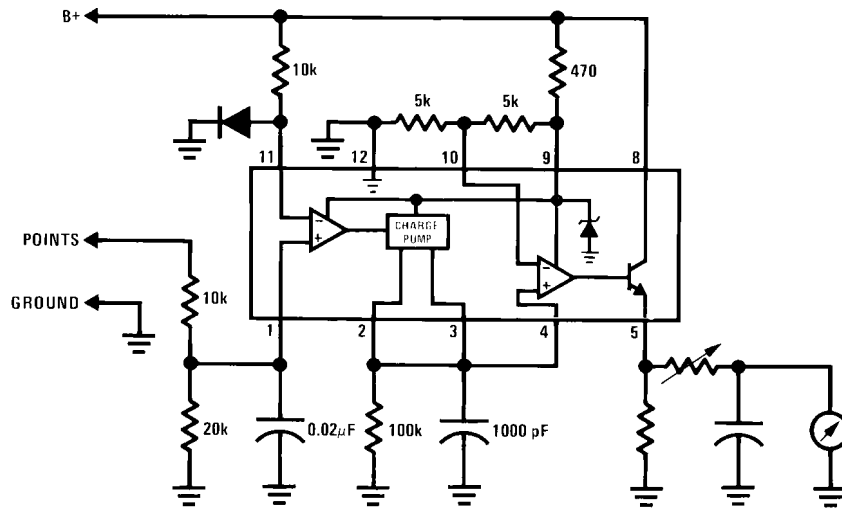


Zener Regulated Frequency to Voltage Converter



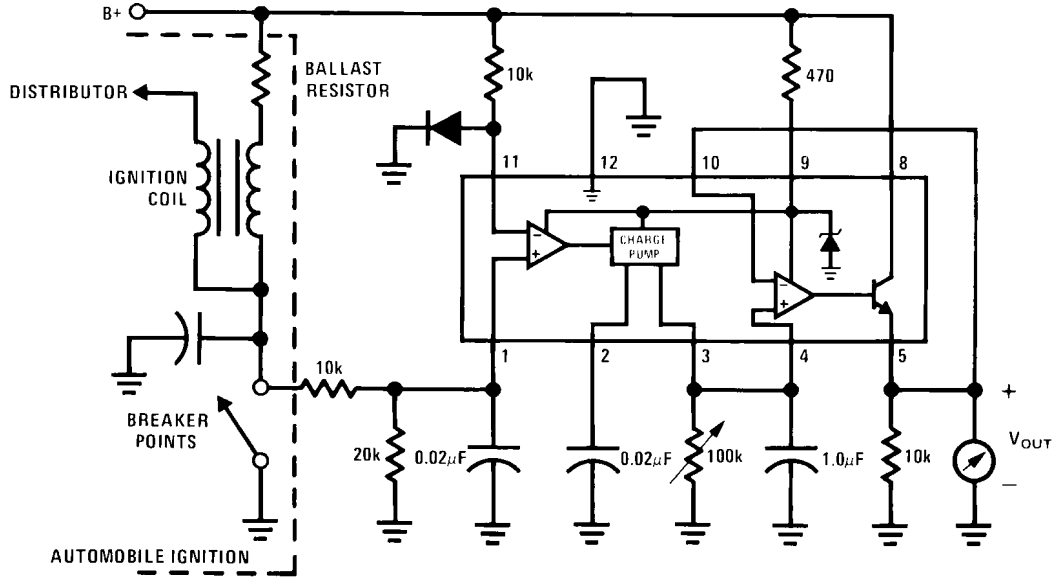
794210

Breaker Point Dwell Meter



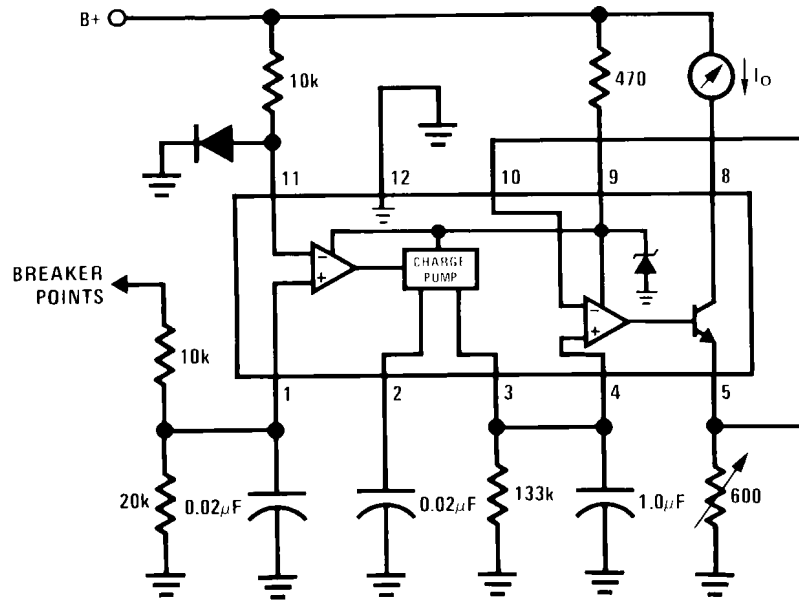
794211

**Voltage Driven Meter Indicating Engine RPM**  
 $V_o = 6V @ 400 \text{ Hz or } 6000 \text{ ERPM (8 Cylinder Engine)}$



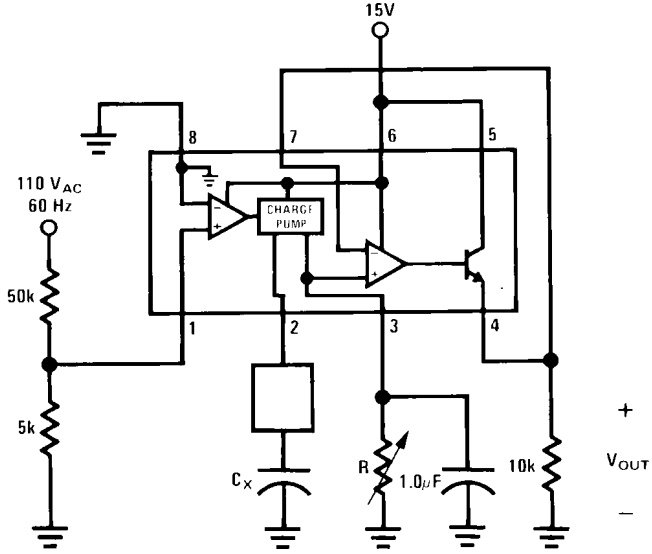
794212

**Current Driven Meter Indicating Engine RPM**  
 $I_o = 10 \text{ mA @ } 300 \text{ Hz or } 6000 \text{ ERPM (6 Cylinder Engine)}$



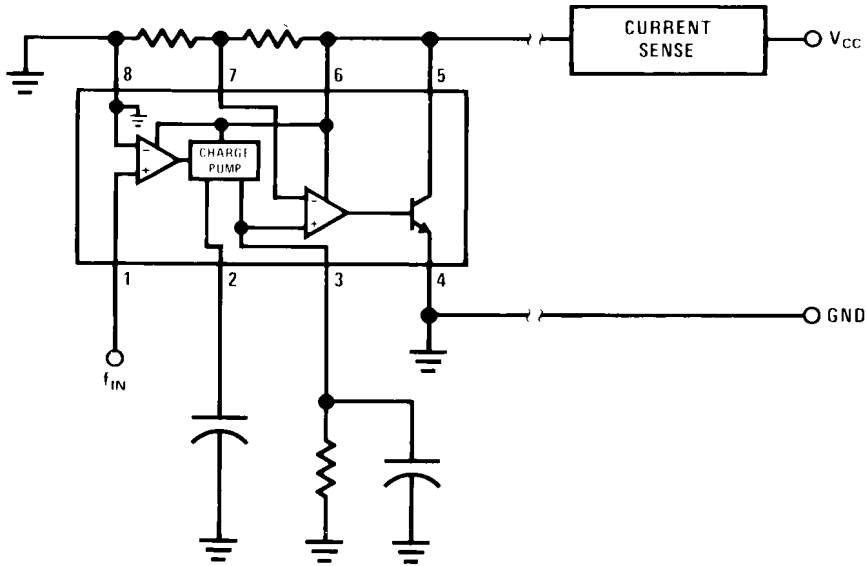
794213

**Capacitance Meter**  
 $V_{OUT} = 1V-10V$  for  $C_X = 0.01$  to  $0.1$  mFd  
 (R = 111k)



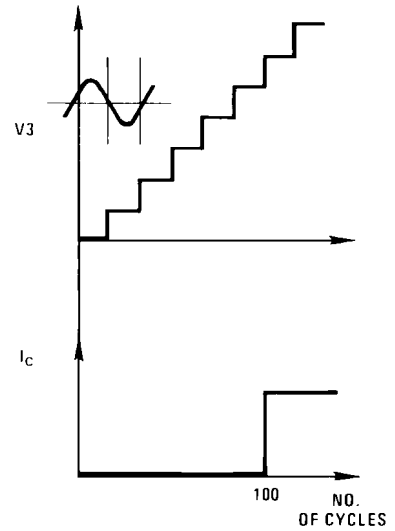
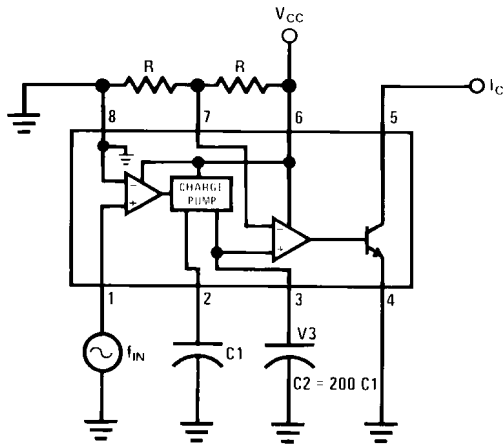
794214

**Two-Wire Remote Speed Switch**



794215

100 Cycle Delay Switch

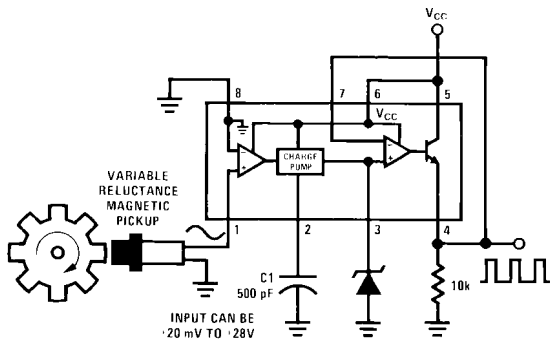


794216

$V_3$  steps up in voltage by the amount  $\frac{V_{CC} \times C_1}{C_2}$   
for each complete input cycle (2 zero crossings)

Example:  
if  $C_2 = 200 C_1$  after 100 consecutive input cycles.  
 $V_3 = 1/2 V_{CC}$

Variable Reluctance Magnetic Pickup Buffer Circuits

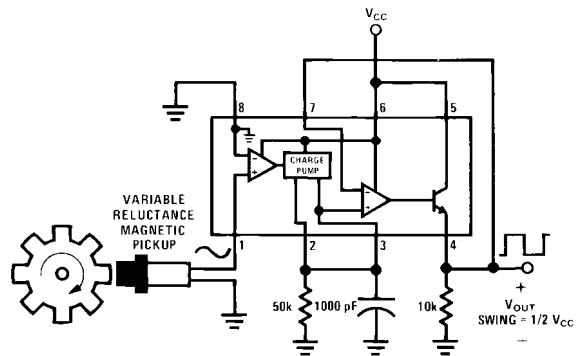


794239

Precision two-shot output frequency  
equals twice input frequency.

$$\text{Pulse width} = \frac{V_{CC} C_1}{2 I_2}$$

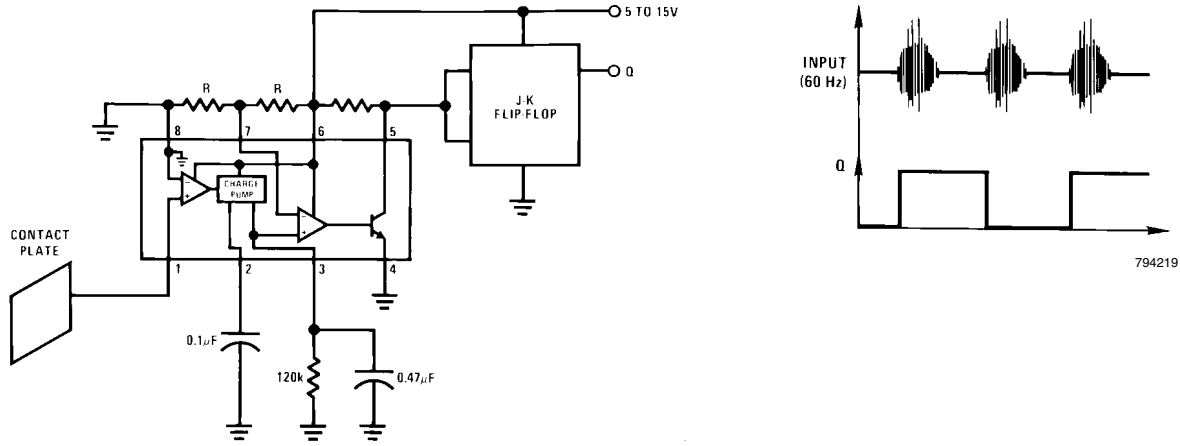
Pulse height =  $V_{ZENER}$



794217

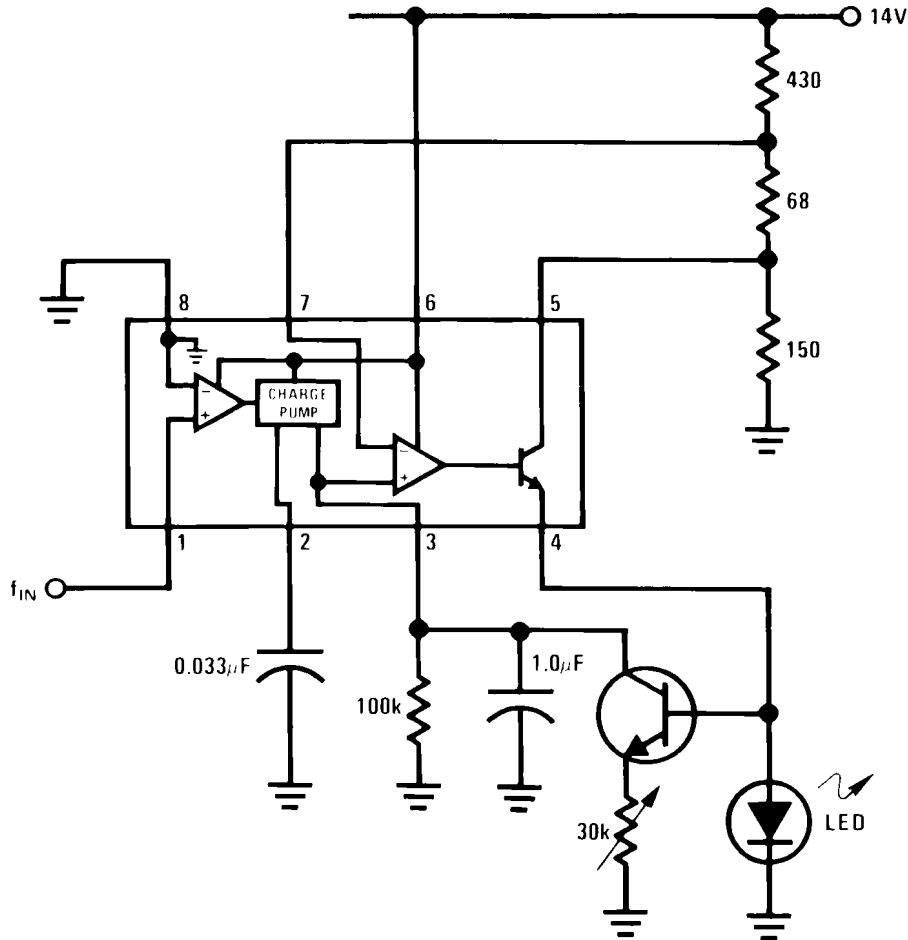
$V_{out}$   
SWING =  $1/2 V_{CC}$

Finger Touch or Contact Switch



794218

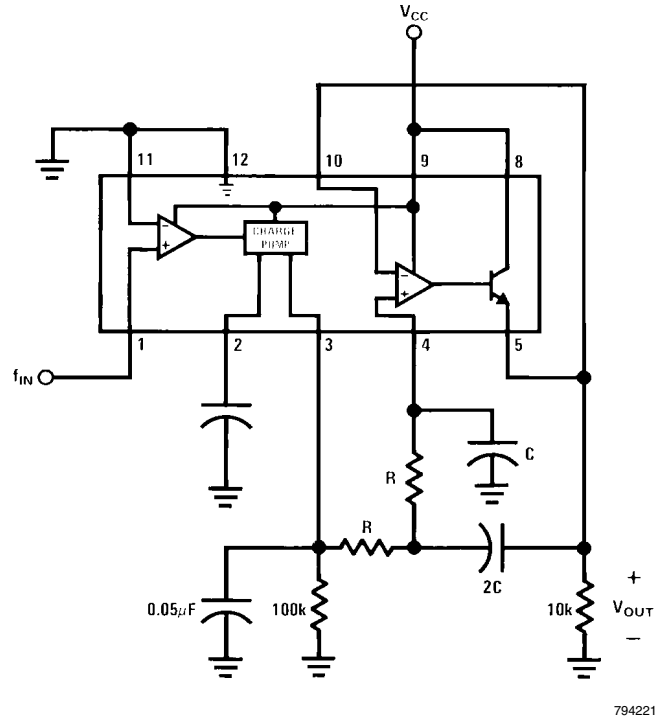
Flashing LED Indicates Overspeed



794220

Flashing begins when  $f_{IN} \geq 100$  Hz.  
Flash rate increases with input frequency increase beyond trip point.

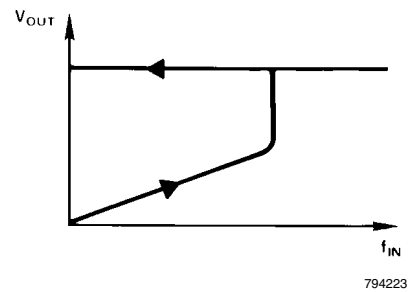
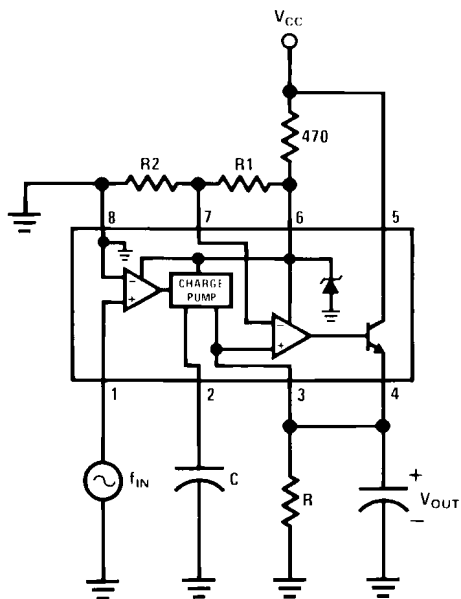
Frequency to Voltage Converter with 2 Pole Butterworth Filter to Reduce Ripple



$$f_{POLE} = \frac{0.707}{2\pi RC}$$

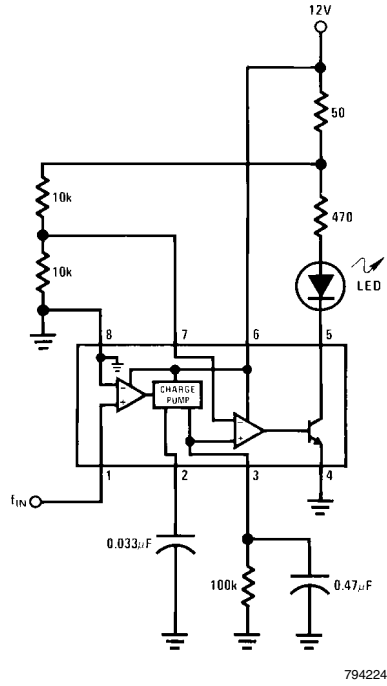
$$\tau_{RESPONSE} = \frac{2.57}{2\pi f_{POLE}}$$

Overspeed Latch

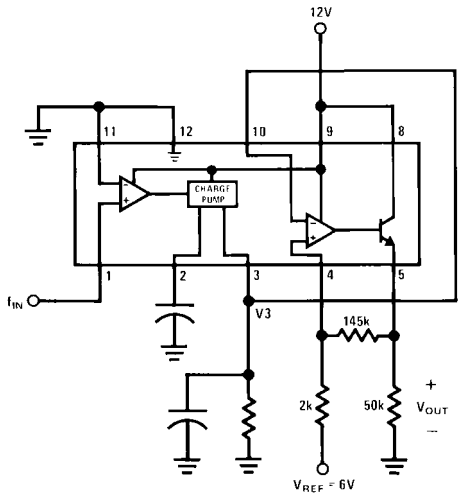


Output latches when  
 $f_{IN} = \frac{R2}{R1 + R2} \frac{1}{RC}$   
 Reset by removing  $V_{CC}$ .

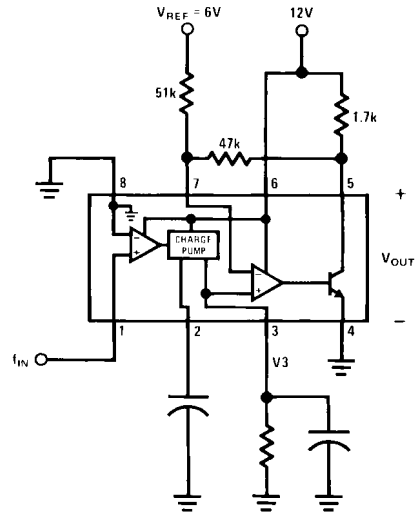
**Some Frequency Switch Applications May Require Hysteresis in the Comparator Function Which can be Implemented in Several Ways**



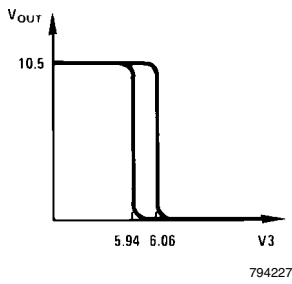
794224



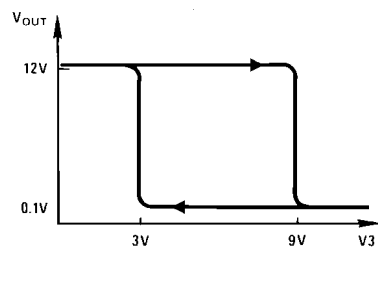
794225



794226

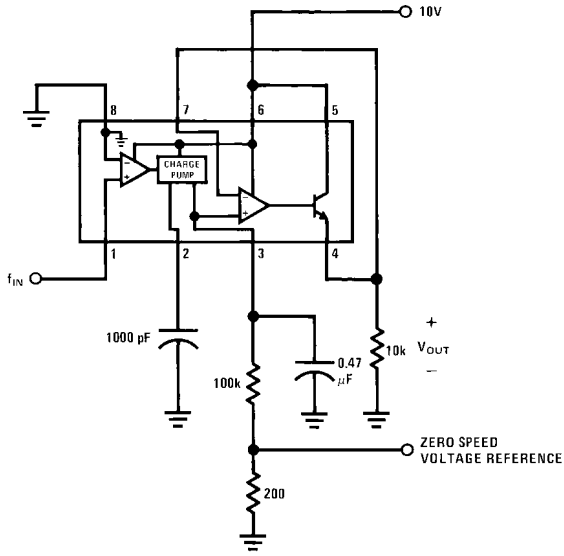


794227

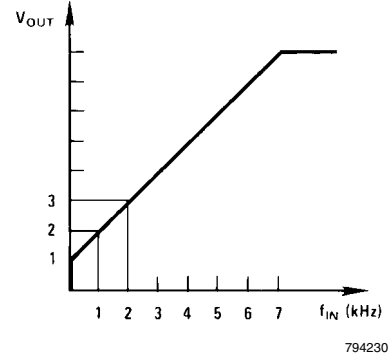


794228

Changing the Output Voltage for an Input Frequency of Zero

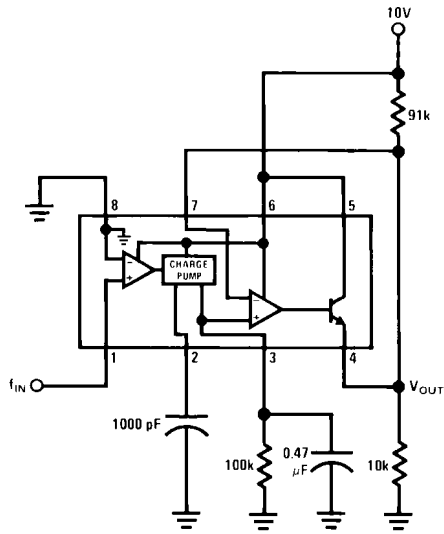


794229

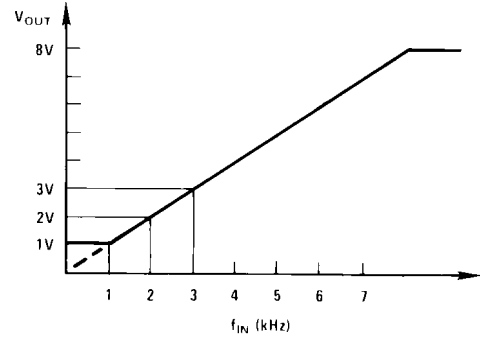


794230

Changing Tachometer Gain Curve or Clamping the Minimum Output Voltage



794231

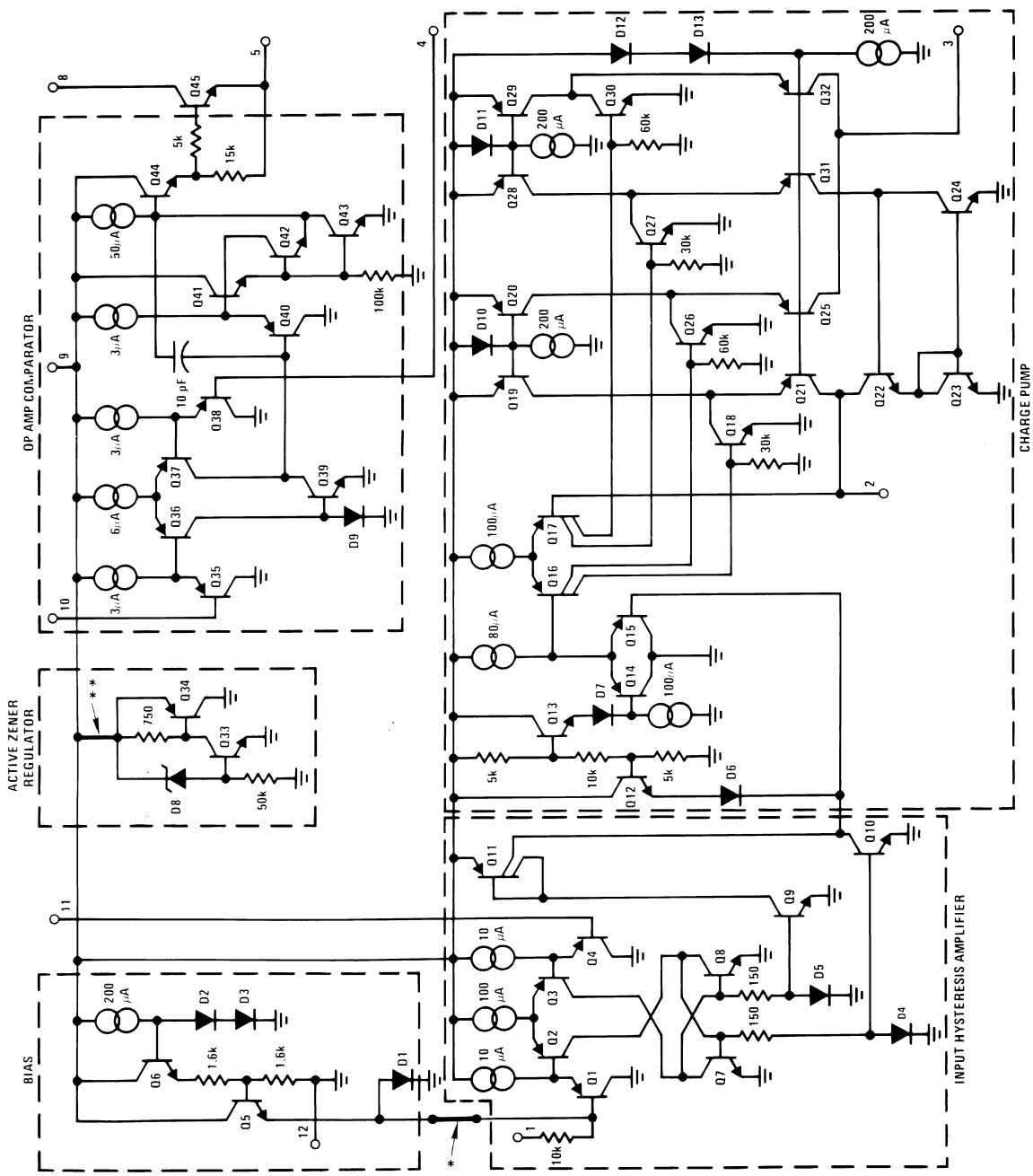


794232





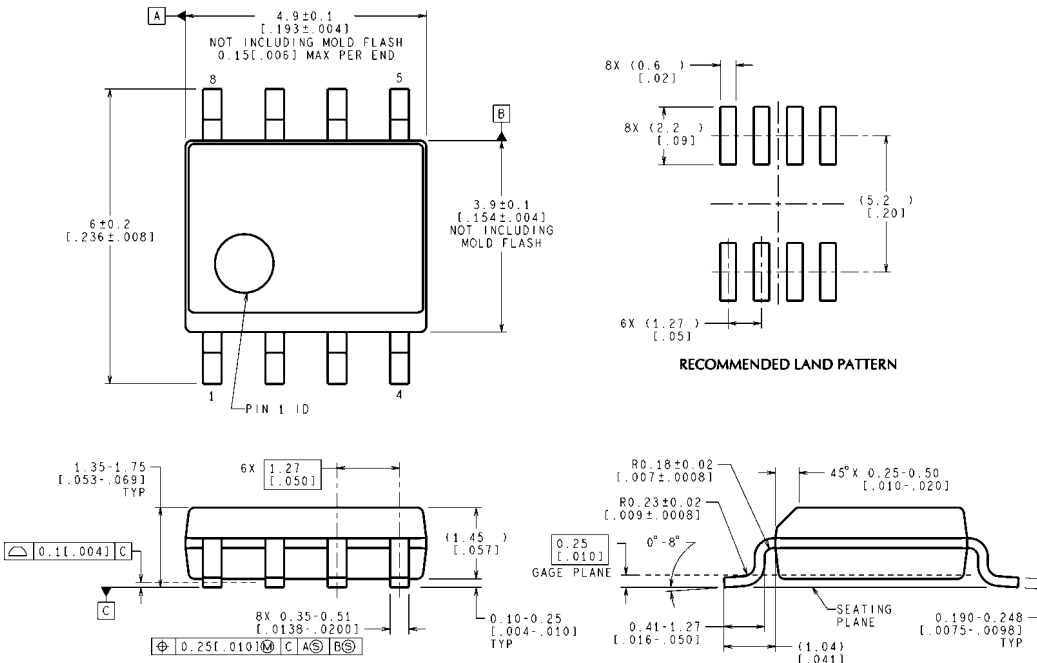
# Equivalent Schematic Diagram



794238

\*This connection made on LM2907-8 and LM2917-8 only.  
 \*\*This connection made on LM2917 and LM2917-8 only.

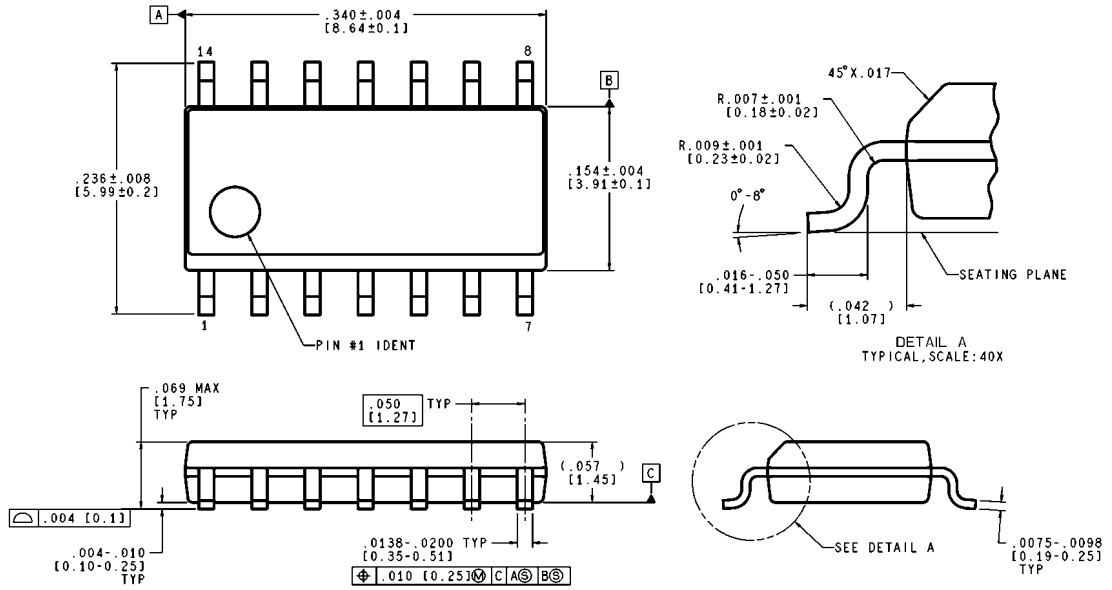
**Physical Dimensions** inches (millimeters) unless otherwise noted



CONTROLLING DIMENSION IS MILLIMETER  
 VALUES IN [ ] ARE INCHES  
 DIMENSIONS IN ( ) FOR REFERENCE ONLY

**8-Lead (0.150 Wide) Molded Small Outline Package, JEDEC**  
**Order Number LM2907M-8 or LM2917M-8**  
**NS Package Number M08A**

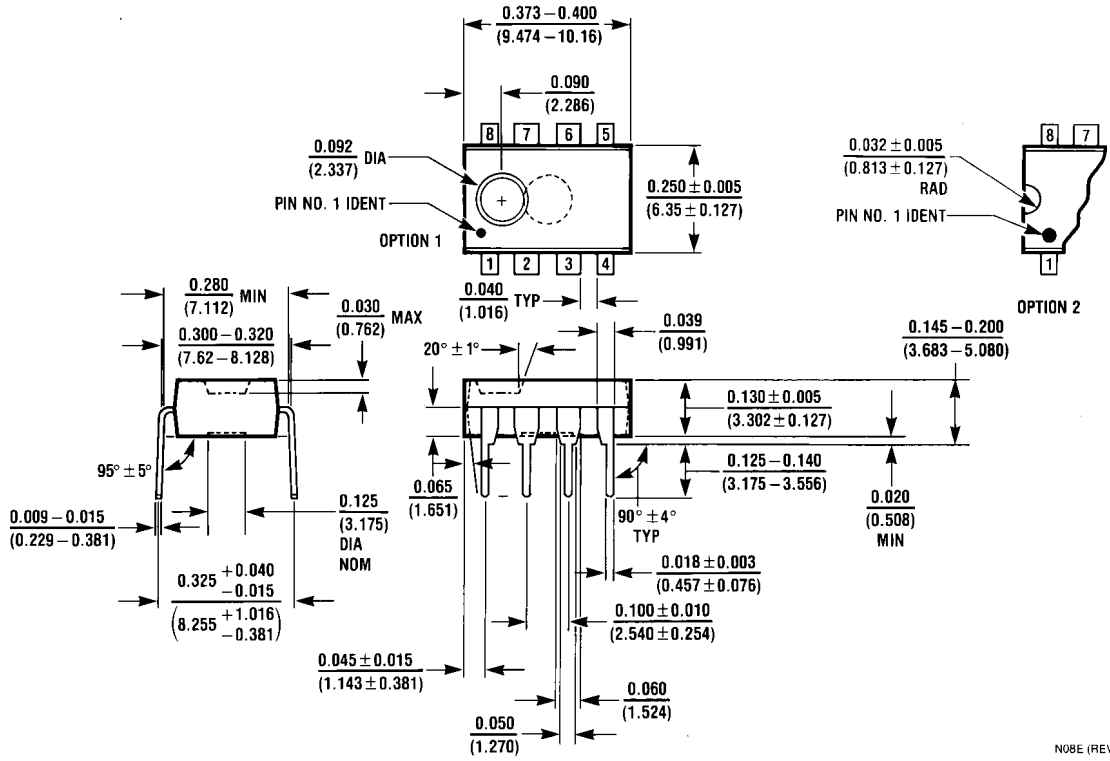
M08A (Rev L)



CONTROLLING DIMENSION IS INCH  
VALUES IN [ ] ARE MILLIMETERS

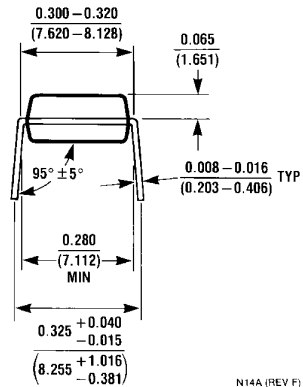
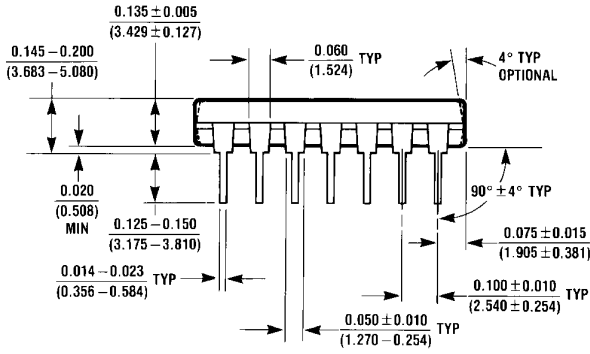
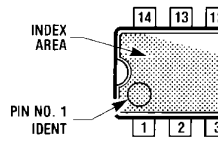
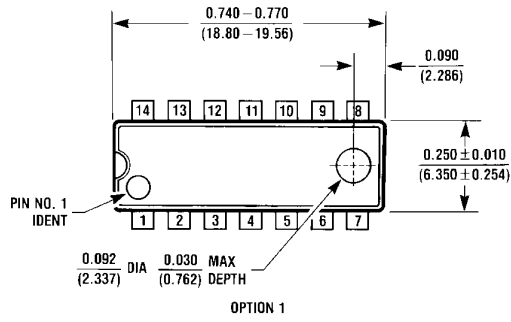
M14A (REV J)

**Molded SO Package (M)**  
Order Number LM2907M or LM2917M  
NS Package Number M14A



**Molded Dual-In-Line Package (N)**  
Order Number LM2907N-8 or LM2917N-8  
NS Package Number N08E

N08E (REV F)



Molded Dual-In-Line Package (N)  
Order Number LM2907N or LM2917N  
NS Package Number N14A

## Notes

For more National Semiconductor product information and proven design tools, visit the following Web sites at:

Products		Design Support	
Amplifiers	<a href="http://www.national.com/amplifiers">www.national.com/amplifiers</a>	WEBENCH® Tools	<a href="http://www.national.com/webench">www.national.com/webench</a>
Audio	<a href="http://www.national.com/audio">www.national.com/audio</a>	App Notes	<a href="http://www.national.com/appnotes">www.national.com/appnotes</a>
Clock and Timing	<a href="http://www.national.com/timing">www.national.com/timing</a>	Reference Designs	<a href="http://www.national.com/refdesigns">www.national.com/refdesigns</a>
Data Converters	<a href="http://www.national.com/adc">www.national.com/adc</a>	Samples	<a href="http://www.national.com/samples">www.national.com/samples</a>
Interface	<a href="http://www.national.com/interface">www.national.com/interface</a>	Eval Boards	<a href="http://www.national.com/evalboards">www.national.com/evalboards</a>
LVDS	<a href="http://www.national.com/lvds">www.national.com/lvds</a>	Packaging	<a href="http://www.national.com/packaging">www.national.com/packaging</a>
Power Management	<a href="http://www.national.com/power">www.national.com/power</a>	Green Compliance	<a href="http://www.national.com/quality/green">www.national.com/quality/green</a>
Switching Regulators	<a href="http://www.national.com/switchers">www.national.com/switchers</a>	Distributors	<a href="http://www.national.com/contacts">www.national.com/contacts</a>
LDOs	<a href="http://www.national.com/ldo">www.national.com/ldo</a>	Quality and Reliability	<a href="http://www.national.com/quality">www.national.com/quality</a>
LED Lighting	<a href="http://www.national.com/led">www.national.com/led</a>	Feedback/Support	<a href="http://www.national.com/feedback">www.national.com/feedback</a>
Voltage Reference	<a href="http://www.national.com/vref">www.national.com/vref</a>	Design Made Easy	<a href="http://www.national.com/easy">www.national.com/easy</a>
PowerWise® Solutions	<a href="http://www.national.com/powerwise">www.national.com/powerwise</a>	Solutions	<a href="http://www.national.com/solutions">www.national.com/solutions</a>
Serial Digital Interface (SDI)	<a href="http://www.national.com/sdi">www.national.com/sdi</a>	Mil/Aero	<a href="http://www.national.com/milaero">www.national.com/milaero</a>
Temperature Sensors	<a href="http://www.national.com/tempsensors">www.national.com/tempsensors</a>	Solar Magic®	<a href="http://www.national.com/solarmagic">www.national.com/solarmagic</a>
Wireless (PLL/VCO)	<a href="http://www.national.com/wireless">www.national.com/wireless</a>	Analog University®	<a href="http://www.national.com/AU">www.national.com/AU</a>

THE CONTENTS OF THIS DOCUMENT ARE PROVIDED IN CONNECTION WITH NATIONAL SEMICONDUCTOR CORPORATION ("NATIONAL") PRODUCTS. NATIONAL MAKES NO REPRESENTATIONS OR WARRANTIES WITH RESPECT TO THE ACCURACY OR COMPLETENESS OF THE CONTENTS OF THIS PUBLICATION AND RESERVES THE RIGHT TO MAKE CHANGES TO SPECIFICATIONS AND PRODUCT DESCRIPTIONS AT ANY TIME WITHOUT NOTICE. NO LICENSE, WHETHER EXPRESS, IMPLIED, ARISING BY ESTOPPEL OR OTHERWISE, TO ANY INTELLECTUAL PROPERTY RIGHTS IS GRANTED BY THIS DOCUMENT.

TESTING AND OTHER QUALITY CONTROLS ARE USED TO THE EXTENT NATIONAL DEEMS NECESSARY TO SUPPORT NATIONAL'S PRODUCT WARRANTY. EXCEPT WHERE MANDATED BY GOVERNMENT REQUIREMENTS, TESTING OF ALL PARAMETERS OF EACH PRODUCT IS NOT NECESSARILY PERFORMED. NATIONAL ASSUMES NO LIABILITY FOR APPLICATIONS ASSISTANCE OR BUYER PRODUCT DESIGN. BUYERS ARE RESPONSIBLE FOR THEIR PRODUCTS AND APPLICATIONS USING NATIONAL COMPONENTS. PRIOR TO USING OR DISTRIBUTING ANY PRODUCTS THAT INCLUDE NATIONAL COMPONENTS, BUYERS SHOULD PROVIDE ADEQUATE DESIGN, TESTING AND OPERATING SAFEGUARDS.

EXCEPT AS PROVIDED IN NATIONAL'S TERMS AND CONDITIONS OF SALE FOR SUCH PRODUCTS, NATIONAL ASSUMES NO LIABILITY WHATSOEVER, AND NATIONAL DISCLAIMS ANY EXPRESS OR IMPLIED WARRANTY RELATING TO THE SALE AND/OR USE OF NATIONAL PRODUCTS INCLUDING LIABILITY OR WARRANTIES RELATING TO FITNESS FOR A PARTICULAR PURPOSE, MERCHANTABILITY, OR INFRINGEMENT OF ANY PATENT, COPYRIGHT OR OTHER INTELLECTUAL PROPERTY RIGHT.

### LIFE SUPPORT POLICY

**NATIONAL'S PRODUCTS ARE NOT AUTHORIZED FOR USE AS CRITICAL COMPONENTS IN LIFE SUPPORT DEVICES OR SYSTEMS WITHOUT THE EXPRESS PRIOR WRITTEN APPROVAL OF THE CHIEF EXECUTIVE OFFICER AND GENERAL COUNSEL OF NATIONAL SEMICONDUCTOR CORPORATION.** As used herein:

Life support devices or systems are devices which (a) are intended for surgical implant into the body, or (b) support or sustain life and whose failure to perform when properly used in accordance with instructions for use provided in the labeling can be reasonably expected to result in a significant injury to the user. A critical component is any component in a life support device or system whose failure to perform can be reasonably expected to cause the failure of the life support device or system or to affect its safety or effectiveness.

National Semiconductor and the National Semiconductor logo are registered trademarks of National Semiconductor Corporation. All other brand or product names may be trademarks or registered trademarks of their respective holders.

Copyright© 2008 National Semiconductor Corporation

For the most current product information visit us at [www.national.com](http://www.national.com)



**National Semiconductor Americas Technical Support Center**  
Email: [support@nsc.com](mailto:support@nsc.com)  
Tel: 1-800-272-9959

**National Semiconductor Europe Technical Support Center**  
Email: [europe.support@nsc.com](mailto:europe.support@nsc.com)  
German Tel: +49 (0) 180 5010 771  
English Tel: +44 (0) 870 850 4288

**National Semiconductor Asia Pacific Technical Support Center**  
Email: [ap.support@nsc.com](mailto:ap.support@nsc.com)

**National Semiconductor Japan Technical Support Center**  
Email: [jpn.feedback@nsc.com](mailto:jpn.feedback@nsc.com)