

KA331

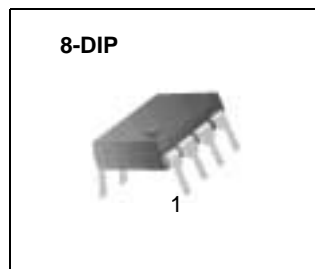
V-F Converter

Features

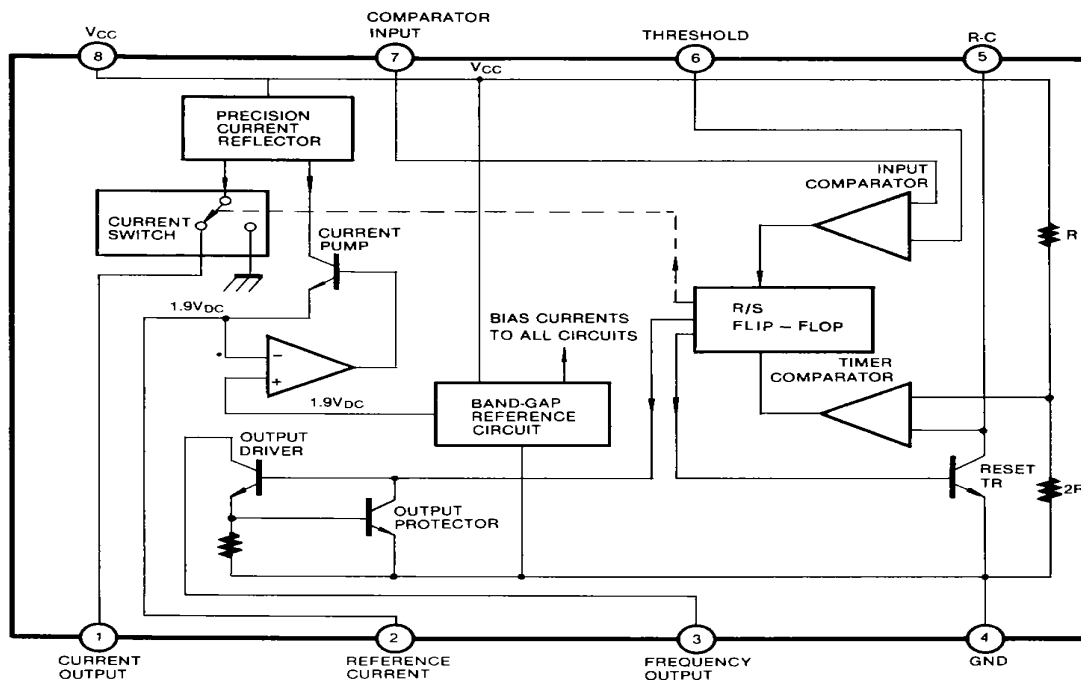
- Guaranteed linearity: 0.01% max.
- Low power dissipation: 15mW at 5V
- Wide range of full scale frequency: 1Hz to 100KHz
- Pulse output compatible with all logic forms
- Wide dynamic range: 100dB min at 10KHz full scale frequency

Description

This voltage to frequency converter provides the output pulse train at a frequency precisely proportional to the applied input voltage. The KA331 can operate at power supplies as low as 4.0V and be changed output frequency from 1Hz to 100KHz. It is ideally suited for use in simple low-cost circuit for analog-to digital conversion, long term integration, linear frequency modulation or demodulation, frequency-to-voltage conversion, and many other functions.



Internal Block Diagram



Absolute Maximum Ratings ($T_A = 25^\circ\text{C}$)

Parameter	Symbol	Value	Unit
Supply Voltage	V_{CC}	40	V
Input Voltage	V_I	$-0.2 \sim +V_{CC}$	V
Operating Temperature Range	T_{OPR}	$0 \sim +70$	$^\circ\text{C}$
Power Dissipation	P_D	500	mW

Electrical Characteristics

Parameter	Symbol	Conditions	Min.	Typ.	Max.	Unit
VFC Non-Linearity	VFCNL	$4.5 \leq V_{CC} \leq 20\text{V}$	-	± 0.003	± 0.01	% Full-Scale
Conversion Accuracy Scale Factor	ACCUR	$V_I = -10\text{V}$, $R_S = 14\text{K}\Omega$	0.90	1.00	1.10	KHz/V
Chang Of Gain With VCC	$V_{CC}\Delta G/V_{CC}$	$4.5\text{V} \leq V_{CC} \leq 10\text{V}$	-	0.01	0.1	%V
		$10\text{V} \leq V_{CC} \leq 40\text{V}$	-	0.006	0.06	
Rated Full - Scale Frequency	f	$V_I = -10\text{V}$	10.0	-	-	KHz
INPUT COMPARATOR						
Offset Voltage	V_{IO}	$0^\circ\text{C} \leq T_A \leq +70^\circ\text{C}$	-	± 3	± 10	mV
Bias Current	I_{BIAS}	-	-	-80	-300	nA
Offset Current	I_{IO}	-	-	± 8	± 100	nA
Common-Mode Range	V_{CM}	$0^\circ\text{C} \leq T_A \leq +70^\circ\text{C}$	-0.2	-	$V_{CC}-2.0$	V
TIMER (PIN 5)						
Timer Threshold Voltage	V_{TH}	-	0.63	0.667	0.701	$\times V_{CC}$
Input Bias Current	I_{BIAS}	$V_{CC} = 15\text{V}$, $0\text{V} \leq V_5 \leq 9.9\text{V}$	-	± 10	± 100	nA
		$V_5 = 10\text{V}$	-	200	1000	nA
Saturation Voltage	V_{SAT}	$I = 5\text{mA}$	-	0.22	0.5	V
CURRENT SOURCE (PIN 1)						
Output Current	I_O	$R_S = 14\text{K}\Omega$, $V_1 = 0\text{V}$	116	136	156	μA
Change with Voltage	$\Delta I_O/\Delta V_1$	$0\text{V} \leq V_1 \leq 10\text{V}$	-	0.2	1.0	μA
Current Source Off Leakage	I_{LKG}	-	-	0.02	10.0	nA
REFERENCE VOLTAGE (PIN 2)						
Reference Voltage	V_{REF}	-	1.70	1.89	2.08	V_{DC}
Stability vs Temperature	STT	-	-	± 60	-	ppm/ $^\circ\text{C}$
Stability vs Time, 1000Hours	STT	-	-	± 0.1	-	%
LOGIC OUTPUT (Pin 3)						
Saturation Voltage	V_{SAT}	$I = 5\text{mA}$	-	0.15	0.50	V
		$I = 3.2\text{mA}$	-	0.10	0.40	
Off Leakage	I_{LKG}	-	-	± 0.05	1.0	μA
SUPPLY CURRENT						
Supply Current	I_{CC}	$V_{CC} = 5\text{V}$	1.5	3.0	6.0	mA
		$V_{CC} = 40\text{V}$	2.0	4.0	8.0	

Typical Applications

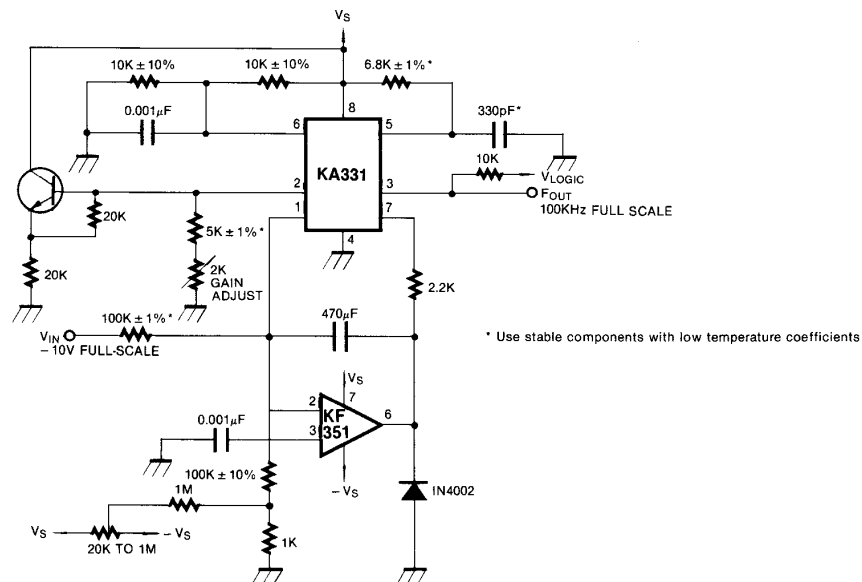


Figure 1. Precision Voltage-to-Frequency Converter, 100KHz Full-Scale

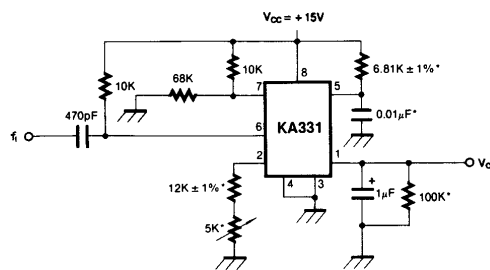


Figure 2. Simple Frequency-to-Voltage Converter, 10KHz Full-Scale

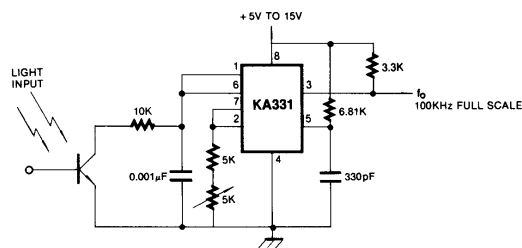


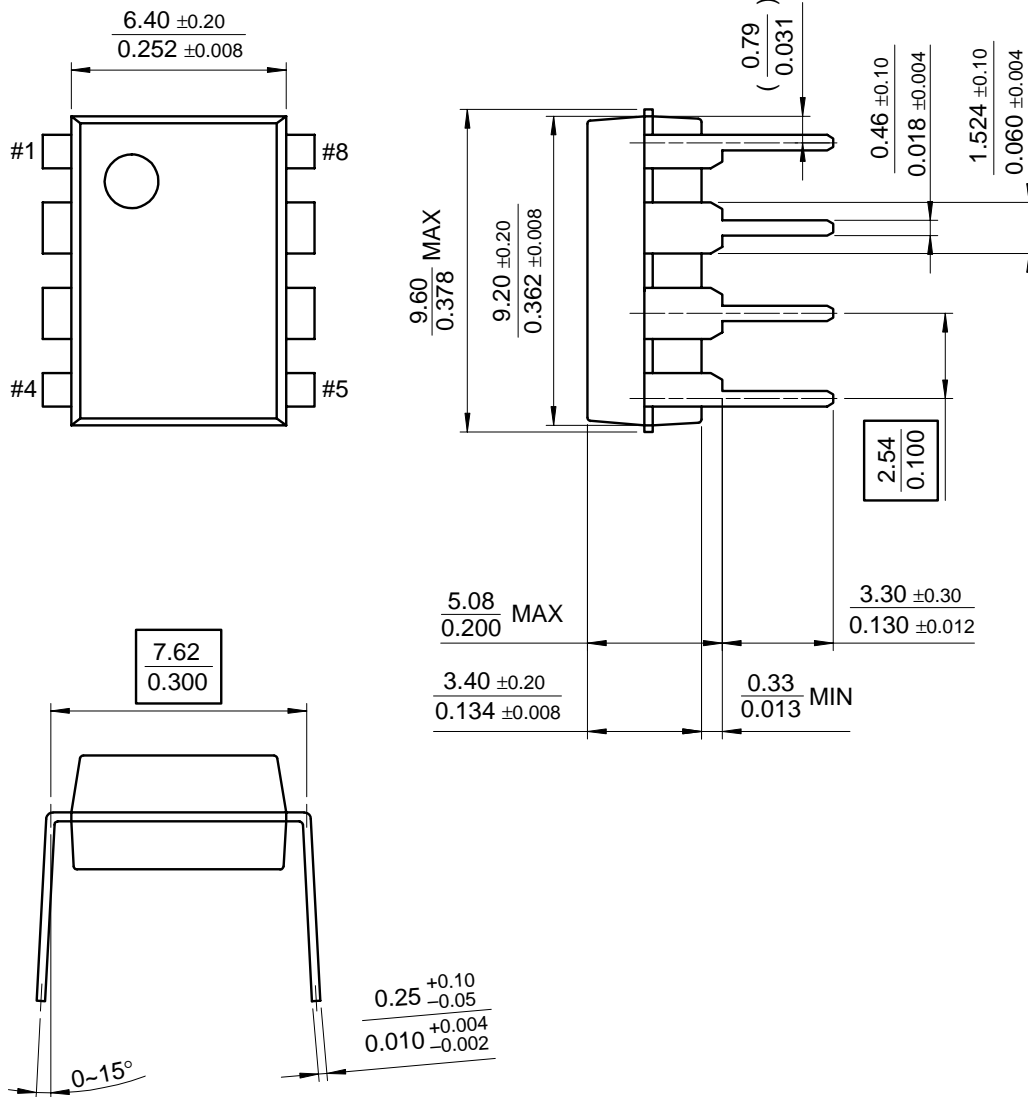
Figure 3. Light Intensity to Frequency Converter

Mechanical Dimensions

Package

Dimensions in millimeters

8-DIP



Ordering Information

Product Number	Package	Operating Temperature
KA331	8-DIP	0 ~ + 70°C

DISCLAIMER

FAIRCHILD SEMICONDUCTOR RESERVES THE RIGHT TO MAKE CHANGES WITHOUT FURTHER NOTICE TO ANY PRODUCTS HEREIN TO IMPROVE RELIABILITY, FUNCTION OR DESIGN. FAIRCHILD DOES NOT ASSUME ANY LIABILITY ARISING OUT OF THE APPLICATION OR USE OF ANY PRODUCT OR CIRCUIT DESCRIBED HEREIN; NEITHER DOES IT CONVEY ANY LICENSE UNDER ITS PATENT RIGHTS, NOR THE RIGHTS OF OTHERS.

LIFE SUPPORT POLICY

FAIRCHILD'S PRODUCTS ARE NOT AUTHORIZED FOR USE AS CRITICAL COMPONENTS IN LIFE SUPPORT DEVICES OR SYSTEMS WITHOUT THE EXPRESS WRITTEN APPROVAL OF THE PRESIDENT OF FAIRCHILD SEMICONDUCTOR CORPORATION. As used herein:

1. Life support devices or systems are devices or systems which, (a) are intended for surgical implant into the body, or (b) support or sustain life, and (c) whose failure to perform when properly used in accordance with instructions for use provided in the labeling, can be reasonably expected to result in a significant injury of the user.
2. A critical component in any component of a life support device or system whose failure to perform can be reasonably expected to cause the failure of the life support device or system, or to affect its safety or effectiveness.