

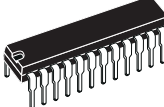


# L6610

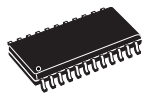
## DIGITALLY PROGRAMMABLE SECONDARY HOUSEKEEPING CONTROLLER

- OV/UV DETECTION FOR 3.3V,  $\pm 5V$ ,  $\pm 12V$  RAILS AND 5V (OR 3.3V) AUX. VOLTAGE
- OC DETECTION ON 12V AND 5V (OR 3.3V) RAILS
- AC MAINS UV (BROWNOUT) DETECTION WITH HYSTERESIS
- ON-LINE DIGITAL TRIMMING FOR 5V/12V, 3.3V, 5V (OR 3.3V) AUX. FEEDBACK REFERENCES AND AC MAINS UV.
- DIGITALLY SELECTABLE OPTIONS
- ERROR AMPLIFIERS FOR 5V/12V RAILS (MAIN SUPPLY), 3V3 POST-REGULATOR (MAG\_AMP OR LINEAR) AND AUXILIARY SUPPLY.
- MAIN SUPPLY ON/OFF CONTROL AND POWER GOOD SIGNAL
- 50mA CROWBAR DRIVE FOR AUXILIARY OUTPUT OVP.
- OPEN GROUND PROTECTION
- 8ms DIGITAL SOFT START
- 64 ms UV/OC BLANKING AT START-UP

**BCD TECHNOLOGY**



**SDIP24**



**SO24**

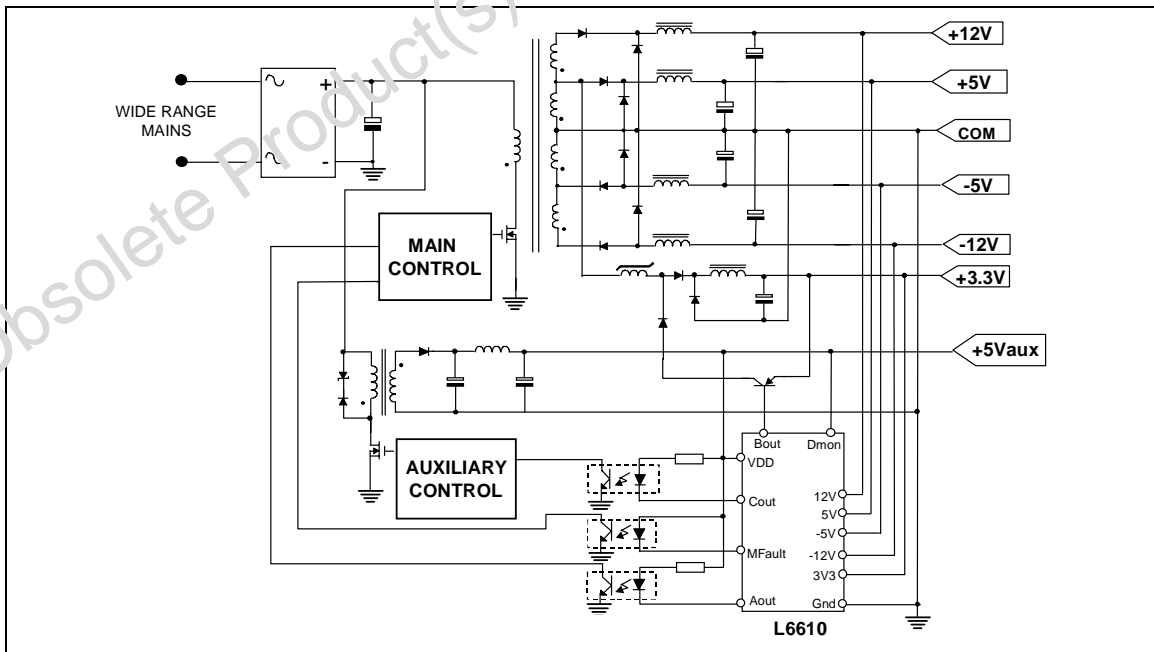
**ORDERING NUMBERS:**

**L6610N****L6610D****L6610DTR(T & Reel)**

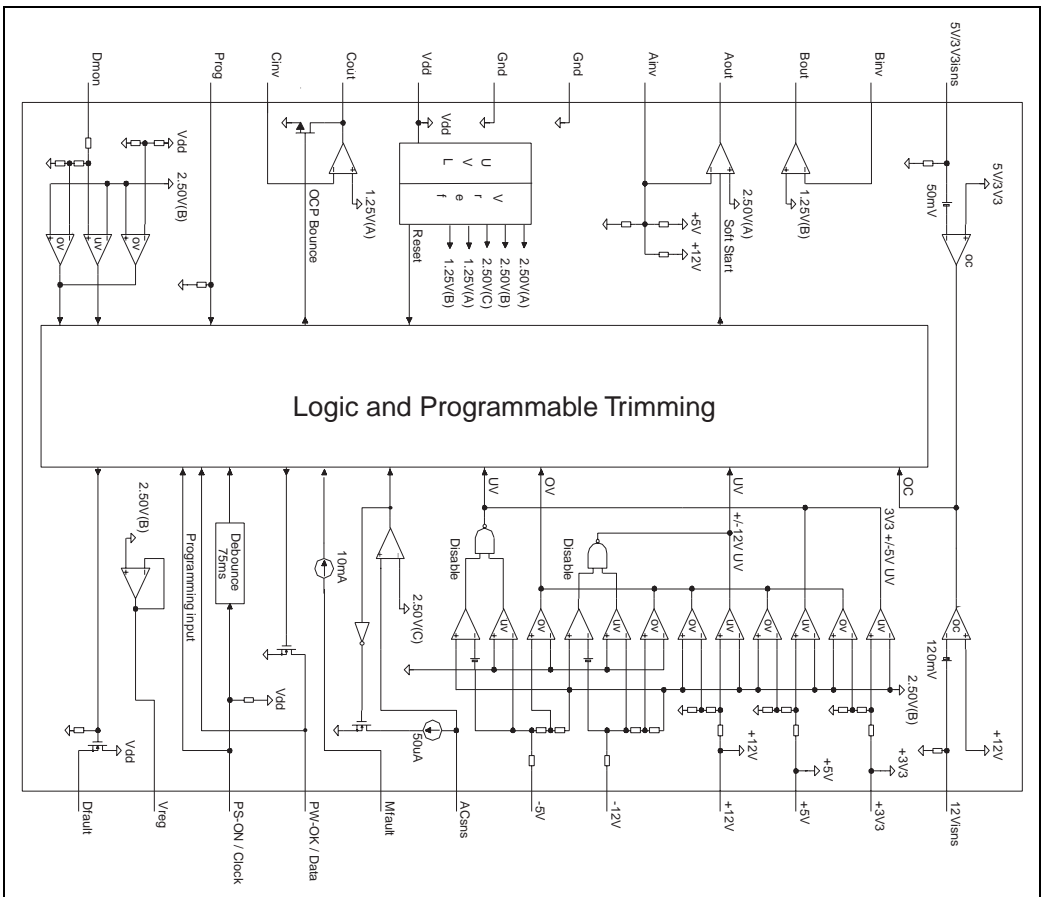
### APPLICATIONS

- SWITCHING POWER SUPPLIES FOR DESKTOP PC'S, SERVERS AND WEB SERVERS
- SUPERVISOR FOR DISTRIBUTED POWER

### TYPICAL APPLICATION CIRCUIT



BLOCK DIAGRAM



## DESCRIPTION

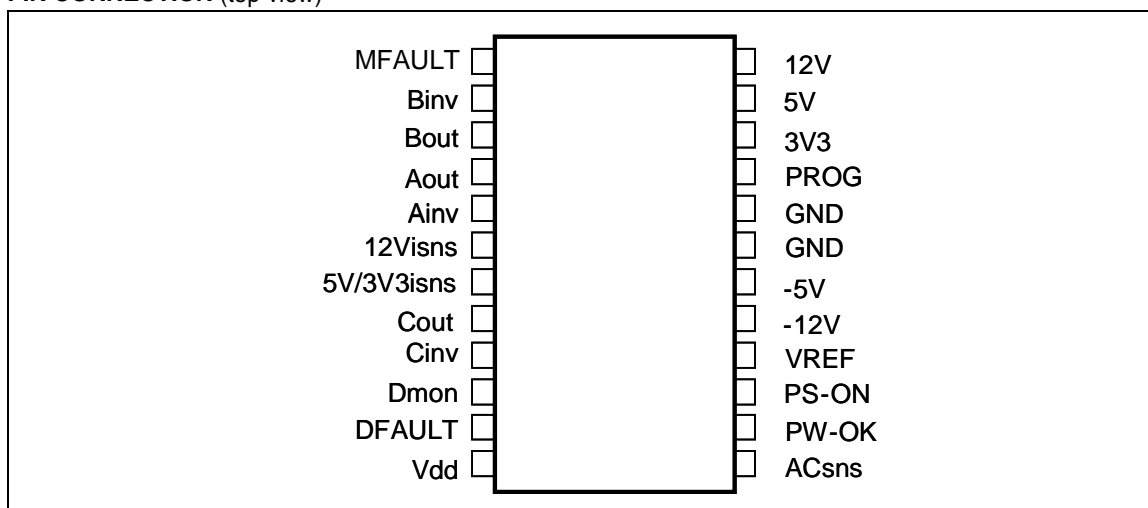
The L6610 is a control and housekeeping IC developed in BCD technology; it is intended for acting at the secondary side of desktop PC's or server's switching power supplies, in presence of standard voltage rails (+3.3V,  $\pm 5V$ ,  $\pm 12V$ ) generated by a main converter and of a supply line generated by an auxiliary converter. The typical application circuit is showed on the front page.

The Housekeeping's main function is to control and monitor the voltages generated by both the main and the auxiliary converter: it senses those voltages, sends feedback signals to the primary controllers for regulation and, upon detection of an undervoltage (UV), overvoltage (OV) or overcurrent (OC) condition, reports such fault and takes proper action to protect the system.

However, the peculiar feature of this IC is its digital programming capability that enables an accurate trimming of the output voltage rails during production test via software, without any use of external discrete trimming components or need for manual intervention on the PSU. It is also possible to program some of the monitoring functions and select how UV and OC conditions are handled in the main converter: whether latched-mode (the information is latched and released only by forcing the restart of the IC) or bouncing-mode (an attempt is made to automatically restart the converter after 1 second wait).

A key feature of this IC is its contribution to a very low external component count. Besides the extensive use of onboard programmable switches, which prevents the need for external trimming components, the IC embeds reference voltages, error amplifiers and most of the housekeeping circuitry normally required.

## PIN CONNECTION (top view)



## PIN DESCRIPTION

Pin #	Name	Description
1	<b>MFAULT</b>	Main converter on/off control. This pin is a 10mA current sink used for driving an opto-isolator. It is normally low when PS-ON (#15) is pulled low. If a fault is detected or PS-ON goes high, this pin goes high too. To allow power up, the functions are digitally blanked out for a period (UVB function) and MFAULT (#1) stays low. There is no delay for the OV protection function.
2	<b>Binv</b>	Inverting input to the error amplifier for the 3V3 post-regulator (either mag-amp or linear). The non-inverting input is connected to an internal 1.25V reference that can be digitally trimmed.
3	<b>Bout</b>	Output of the 3V3 error amplifier. It typically drives either a PNP transistor that sets the mag-amp core or the pass element of a linear regulator. Also node for error amplifier compensation. The maximum positive level of this output is clamped at about 3.5V to improve response time. Large signal slew rate is limited to reduce noise sensitivity.

## PIN DESCRIPTION (continued)

Pin #	Name	Description
4	<b>Aout</b>	Output of the error amplifier for the main converter. This pin typically drives an optocoupler and is also used for compensation along with Ainv (pin #5).
5	<b>Ainv</b>	Main loop error amplifier inverting input. The non-inverting input is connected to an internal 2.5V reference that can be digitally trimmed. A high impedance internal divider from +12V and +5V UV/OV sense pins (#23, #24) eliminates the need for external divider in most applications. The pin is used for error amplifier compensation.
6	<b>12Visns</b>	Input pin for 12V current sense. Together with the 12V OV/UV sense pin (#24), this pin measures the voltage across a current sense resistor in series with the output. If the load current exceeds a preset threshold, MFAULT (#1) will go high. Depending on the mode set, MFAULT will be latched off or pulled low again after about 1 second to allow autorecovery. To disable this function the pin may be left open, shorted to ground or shorted to the 12V UV/OV pin.
7	<b>5Visns/ 3V3isns</b>	Input pin for 5V or 3V3 current sense. Together with the OV/UV sense pin (#23 or #22), this pin measures the voltage across a current sense resistor in series with the output. If the load current exceeds a preset threshold, MFAULT (#1) will go high. Depending on the mode set, MFAULT will be latched off or pulled low again after about 1 second to allow autorecovery. To disable this function the pin may be left open, shorted to ground or shorted to the 5V UV/OV pin.
8	<b>Cout</b>	Auxiliary loop optocoupler drive. Also node for error amp compensation. Large signal slew rate is limited to reduce sensitivity to switching noise.
9	<b>Cinv</b>	Inverting input for Auxiliary error amplifier. The non-inverting input is connected to an internal 1.25V reference that can be digitally trimmed.
10	<b>Dmon</b>	Dual or Auxiliary UV/OV monitor, Dmon is programmable to monitor 3V3 or 5V. To allow a correct power up, the UV function on this pin is blanked out during initial start-up. There is no delay for the OV function.
11	<b>DFAULT</b>	Dual or Auxiliary fault protection. When Dmon (#10) recognizes an over voltage, DFAULT and MFAULT (#1) go high. DFAULT is capable of sourcing up to 50mA. Possible applications are a crowbar across the Auxiliary output or an opto-coupled fault signal to the primary side.
12	<b>Vdd</b>	Positive input supply voltage. Vdd is normally supplied from the Auxiliary power supply output voltage. If Vdd-UVL detects a sustained under voltage, PW-OK (#14) will be pulled low and sending MFAULT (#1) high will disable the main converter.
13	<b>ACsns</b>	Analog of bulk voltage for AC fail warning. The usual source of this analog pin is one of the secondary windings of the main transformer. Hysteresis is provided through a trimmable 50µA current sink on this pin that is activated as the voltage at the pin falls below the internal reference (2.5V).
14	<b>PW-OK /Data</b>	Power good signal for the Main converter. When asserted high, this pin indicates that the voltages monitored are above their UV limits. There will be typically 250ms delay from the Main outputs becoming good and PW-OK being asserted. This is nominally an open drain signal. To improve robustness, this output has a limited current sink capability. In programming mode, this pin is used for data input; then the absolute maximum rating will be Vdd+0.5V.
15	<b>PS-ON / Clock</b>	Control pin to enable the Main converter. This pin has debouncing logic. A recognized high value on this pin will cause PW-OK (#14) to go immediately low and, after a delay of 2.5ms, to shut down the main PWM by allowing MFAULT (#1) to go high. During normal operation (or if not used) this pin has to be connected to a voltage lower than 0.8V. In programming mode, this pin will be used to clock serial data into the chip.
16	<b>VREF</b>	2.5V reference for external applications. This is a buffered pin. Shorting this pin to ground or to Vdd (#12) will not affect integrity of control or monitor references. An external capacitor (max. 100nF) is required whenever the pin is loaded (up to 5 mA), otherwise it can be left floating.

**PIN DESCRIPTION** (continued)

Pin #	Name	Description
17	<b>-12V</b>	-12V UV/OV monitor. If connected to a voltage greater than 1.5V (e.g. VREF, #16), the function will be disabled.
18	<b>-5V</b>	-5V UV/OV monitor. If connected to a voltage greater than 1.5V (e.g. VREF, #16), the function will be disabled.
19	<b>GND</b>	Ground pin. The connection integrity of this pin is constantly monitored and in case of either a bond wire or a PCB trace going open, MFAULT (#1) and DFAULT (#11) will be forced high switching off the supply.
20	<b>GND</b>	Ground pin. See above.
21	<b>PROG</b>	The chip has 2 operating modes, depending on PROG input pin biasing: <ul style="list-style-type: none"> <li>– <i>normal mode</i>: PROG should be floating or shorted to ground;</li> <li>– <i>programming mode</i>: forcing PROG high (+5V), the chip enters programming mode. PW_OK (#14) and PS_ON (#15) pins are disconnected from their normal functionality and they become inputs for DATA and CLOCK allowing the chip to be programmed. The programming mode allows selecting some options and adjusting some setpoints;</li> </ul>
22	<b>3V3</b>	3V3 UV/OV monitor. It uses a separate reference to the feedback reference.
23	<b>5V</b>	Input pin for 5V feedback, 5V current sense and 5V UV/OV monitor. 5V UV/OV uses a reference separate from that used for feedback. This pin connects the 5V part of the Main error amplifier feedback divider.
24	<b>12V</b>	Input pin for 12V feedback, 12V current sense and 12V UV/OV monitor. 12V UV/OV uses a reference separate from that used for feedback. This pin connects the 12V part of the Main error amplifier feedback divider.

**FUNCTION DESCRIPTION**

Name	Description
<b>OVP</b>	Whenever one of the Main output voltages is detected going above its own OVP threshold, this function sets MFAULT (#1) high latching the outputs off. The latch is released after cycling PS-ON (#15) switch or by reducing V <sub>dd</sub> (#12) below the UV threshold.
<b>UVP</b>	Whenever one of the Main output voltages is detected going under its own UVP threshold, this function sets MFAULT (#1) high; if latch mode has been selected, this function will be latched. Otherwise an attempt will be made to restart the device after 1 second delay. If ACsns (#13) is low due to a brownout condition, UVP is disabled.
<b>OCP</b>	Whenever either the 5V (or 3V3, digitally selectable) or the 12V output experiences an overcurrent condition, the OCP function will force MFAULT (#1) high. If latch mode has been selected, this condition will be latched otherwise an attempt is made to restart the supply after a wait of 1 second.
<b>UVB</b>	Undervoltage blanking. When either converter is enabled, the relevant UV/OC monitoring circuits must not intervene to allow all outputs to come within tolerance. 64 ms timing is provided; for the auxiliary converter the timing starts as the IC has a valid supply, for the main converter it starts as the ACsns pin detects a valid input voltage for the converter.
<b>PW-OK delay</b>	PW-OK delay. After power-up, when the all of the monitored voltages are above their own UV threshold the PW-OK pin (#14) will be kept low for additional 250ms (typ.) to make sure all the outputs are settled.
<b>OFF delay</b>	Power-off delay. As soon as PS-ON (#15) pin is recognized high, indicating an imminent turn-off condition, PW-OK (#14) pin will go low immediately. The converter will be turned off after a delay of 2.5ms.

## L6610

### FUNCTION DESCRIPTION (continued)

Name	Description
<b>Debounce</b>	The PS-ON signal input has debounce logic to prevent improper activation. All of the monitored inputs have digital filtering/debounce logic on board for high noise immunity.
<b>AC-hysteresis</b>	AC sense hysteresis. Programmable hysteresis is provided on the ACsns input (#13) to avoid undesired shutdown caused by noise as the voltage at the pin is near the threshold or by the voltage ripple across the bulk capacitor.
<b>Vdd-OVP</b>	Vdd is monitored for overvoltage. If an overvoltage is detected, MFAULT (#1) and DFAULT (#11) are latched high.
<b>Vdd-UVL</b>	To prevent false signals of any of IC's output pins, an under voltage lock-out circuit monitors Vdd and keeps all IC's output at their default OFF level until Vdd reaches a sufficient minimum voltage for ensuring integrity. When Vdd goes below the UV threshold, all latches are reset and volatile programming memory cleared.
<b>Dual-OVP</b>	Dmon (#10) is monitored to detect an overvoltage condition; in this case MFAULT (#1) and DFAULT (#11) are latched high.
<b>Dual-UVP</b>	Dmon (#10) is monitored to detect an undervoltage condition; in this case MFAULT (#1) is latched high and Cout (#8) is pulled low.
<b>Soft-start</b>	The IC provides an on-board 8ms soft-start, a quasi-monotonic ramp from 0V to 2.5V for the A error amplifier reference voltage, in order to avoid high current peaks in the primary circuit and output voltage overshoots at start-up. In fact, if this reference gets the nominal value as soon as the power-up occurs, the A E/A will go out of regulation and tend to sink much more current, thus forcing PWM to work with the maximum duty-cycle.
<b>Bounce or Latch-mode</b>	This option allows setting either latched-mode or auto restart after 1 second delay in case of overcurrent and undervoltage faults.

### ABSOLUTE MAXIMUM RATINGS

Symbol	Parameter	Value	Unit
Vdd	Supply voltage	-0.5 to +7	V
	Voltage on PROG, PS-ON/Clock, DFAULT, VREF, and error amplifier pins	-0.5 to Vdd+0.5	V
	Voltage on MFAULT, PW-OK, Dmon and positive UV, OV, OC, AC sense pins.	-0.5 to +16	V
	Voltage on -5V and -12V UV/OV sense pins	-16 to +5	V
	Maximum current in ESD clamp diodes	10	mA
T <sub>J</sub>	Operating Junction Temperature	-25 to 150	°C
T <sub>STO</sub>	Storage Temperature	-50 to 150	°C
T <sub>L</sub>	Lead Temperature (soldering, 10 seconds)	300	°C

### THERMAL DATA

Symbol	Parameter	SDIP24	SO24	Unit
R <sub>th j-amb</sub>	Max. Thermal Resistance junction-to-ambient (*)	70	90	°C/W

(\*) mounted on board

**ELECTRICAL CHARACTERISTICS**

(unless otherwise specified:  $T_J = 0$  to  $105^\circ\text{C}$ ;  $V_{DD} = 5\text{V}$ ,  $V_{3V3} = 3.3\text{V}$ ,  $V_{5V} = 5\text{V}$ ,  $V_{-12V} = -12\text{V}$ ,  $V_{-5V} = -5\text{V}$ ,  $V_{Dmon} = V_{DD}$ , PS-ON = low)

Symbol	Parameter	Test Condition	Min.	Typ.	Max.	Unit
--------	-----------	----------------	------	------	------	------

**SUPPLY SECTION**

$V_{DD(ON)}$	Start-up threshold		4.2	4.3	4.6	V
$V_{DD(OFF)}$	Minimum operating voltage after turn-on		3.7	3.8	4.1	V
$V_{DD(H)}$	Hysteresis		0.25	0.5	0.75	V
$V_{DDOV}$	Vdd overvoltage		6.1	6.3	6.8	V
$I_{DD-ON}$	Operating supply current	No Fault		5	7	mA

**FAULT THRESHOLDS**

<b>Vout = 3.3V</b>						
UV	3V3 undervoltage		2.80	2.90	3.00	V
OV	3V3 overvoltage		4.00	4.15	4.30	V
	3V3 bias current			50	65	$\mu\text{A}$
<b>Vout = 5V</b>						
UV	5V undervoltage		4.20	4.35	4.50	V
OV	5V overvoltage		5.90	6.15	6.40	V
	5V bias current			100	130	$\mu\text{A}$
<b>5V/3V3isns</b>						
	Current sense threshold	$V_{5V} = 4\text{V to }6\text{V}$	40	50	60	mV
	Bias current	$V_{5V/3V3isns} = 5\text{V}$		10	20	$\mu\text{A}$
<b>Vout = 12V</b>						
UV	12V undervoltage		10.60	10.80	11.00	V
OV	12V overvoltage		13.50	14.00	14.50	V
	12V bias current			100	130	$\mu\text{A}$
<b>12Visns</b>						
	Current sense threshold	$V_{+12V} = 10\text{V to }14\text{V}$	96	120	144	mV
	Bias current	$V_{12Visns} = 12\text{V}$		10	20	$\mu\text{A}$
<b>Vout = -12V</b>						
UV	-12V undervoltage		-9.00	-9.50	-10.0	V
OV	-12V overvoltage		-14.4	-15.0	-15.6	V
$V_D$	-12V disable voltage	Voltage to disable comparator	1.3	1.5	1.7	V

## L6610

### ELECTRICAL CHARACTERISTICS (continued)

(unless otherwise specified:  $T_J = 0$  to  $105^\circ\text{C}$ ;  $V_{DD} = 5\text{V}$ ,  $V_{3V3} = 3.3\text{V}$ ,  $V_{5V} = 5\text{V}$ ,  $V_{-12V} = -12\text{V}$ ,  $V_{-5V} = -5\text{V}$ ,  $V_{Dmon} = V_{DD}$ , PS-ON = low)

Symbol	Parameter	Test Condition	Min.	Typ.	Max.	Unit
	-12V bias current		-65	-50		$\mu\text{A}$
<b>Vout = -5V</b>						
UV	-5V undervoltage		-3.80	-4.00	-4.20	V
OV	-5V overvoltage		-6.20	-6.50	-6.80	V
$V_D$	-5V disable Voltage	Voltage to disable comparator	1.3	1.5	1.7	V
	-5V bias current		-65	-50		$\mu\text{A}$
<b>Vout = 3.3V Aux/Dual (Dmon option)</b>						
UV	3V3 undervoltage		2.80	2.90	3.00	V
OV	3V3 overvoltage		4.00	4.15	4.30	V
<b>Vout = 5V Aux/Dual (Dmon option)</b>						
UV	5V undervoltage		4.25	4.40	4.55	V
OV	5V overvoltage		6.00	6.25	6.50	V
	Bias current			50	65	$\mu\text{A}$

### ACsense / Hysteresis

	Bias current	$V_{ACsns} = 2.7\text{V}$		5	10	$\mu\text{A}$
UV	AC undervoltage		2.375	2.50	2.625	V
	Trim range		-5		+5	%
	Trim resolution			0.64		%
$I_{ACH}$	Hysteresis current		20	50	80	$\mu\text{A}$
	Hysteresis trim range		-20		+20	%
$H_S$	Hysteresis adjust step			5		%

### FAULT OUTPUTS

$V_{POKL}$	PW-OK low state	$I_{SINK} = 15\text{mA}$			0.4	V
$I_L$	MFAULT high state leakage	PS-ON = high			1	$\mu\text{A}$
$MF_{ISNK}$	MFAULT sink current	PS-ON = low, $V_{MFAULT} = 4\text{V}$	6	10	15	mA
	MFAULT OV debounce	Minimum OV pulse before MFAULT is latched.	4	6	8	$\mu\text{s}$
	MFAULT debounce $\pm 12\text{V UV}$	Minimum UV pulse before MFAULT is latched.	4	6	8	$\mu\text{s}$
	MFAULT debounce $\pm 5\text{V}, 3\text{V3}, \text{UV/OC}$	Minimum UV/OC pulse before MFAULT is latched.	250	450	650	$\mu\text{s}$



**ELECTRICAL CHARACTERISTICS** (continued)

(unless otherwise specified:  $T_J = 0$  to  $105^\circ\text{C}$ ;  $V_{DD} = 5\text{V}$ ,  $V_{3V3} = 3.3\text{V}$ ,  $V_{5V} = 5\text{V}$ ,  $V_{-12V} = -12\text{V}$ ,  $V_{-5V} = -5\text{V}$ ,  $V_{Dmon} = V_{DD}$ , PS-ON = low)

Symbol	Parameter	Test Condition	Min.	Typ.	Max.	Unit
DF <sub>IOH</sub>	DFAULT output high source current	Overvoltage condition $V_{DFAULT} = 1.5\text{V}$	-25	-50	-95	mA
DF <sub>VOH</sub>	DFAULT output high voltage	$I_{DFAULT} = 0\text{mA}$ , $T_{amb} = 25^\circ\text{C}$ , Overvoltage condition	2.1	2.4	2.7	V
V <sub>OUT</sub>	DFAULT output low voltage	$I_{DFAULT} = 1\text{mA}$ , no faults	0.3	0.5	0.7	V
	DFAULT OV debounce	Minimum OV pulse before DFAULT is latched.	4	6	8	$\mu\text{s}$
	DFAULT UV debounce	Minimum UV pulse before DFAULT is latched.	250	450	650	$\mu\text{s}$

**START-UP / SHUTDOWN FUNCTIONS**

t <sub>5</sub>	DFAULT UV blanking delay	Delay from $V_{DD}(\text{on})$ to DFAULT UV active.	44	64	84	ms
t <sub>1</sub>	MFAULT UV/OC blanking delay	Delay from AC <sub>SNS</sub> high to Main UV/OC active	44	64	84	ms
t <sub>2</sub>	PW-OK blanking delay	Main's UV good to PW-OK high	175	250	325	ms
t <sub>4</sub> (t <sub>DELAY</sub> )	PS-ON delay time	Delay from PS-ON input to MFAULT	1.75	2.5	3.25	ms
V <sub>IH</sub>	PS-ON Input High Voltage	$I_{IN} = -200\mu\text{A}$	2.0			V
V <sub>IL</sub>	PS-ON Input Low Voltage				0.8	V
	PS-ON Input high clamp	$I_{PS-ON} = 100\mu\text{A}$		V <sub>DD</sub> +0.7		V
R <sub>PS-ON</sub>	PS-ON Pull-up to $V_{DD}$	$V_{PS-ON} = 0\text{V}$	25	50	100	$\text{K}\Omega$
t <sub>3</sub>	PS-ON debounce	PS-ON input minimum pulse width for a valid logic change.	50	75	100	ms
t <sub>SS</sub>	Error Amp. A Soft-Start period	VFB quasi-monothonic ramp from 0 to 2.5V		8		ms
V <sub>STEP</sub>	Soft Start Step	Ramp 0V to 2.5V		39		mV

**VOLTAGE REFERENCE (BUFFERED EXTERNAL PIN)**

V <sub>REF</sub>	Output Voltage	$I_{REF} = 1 - 5\text{mA}$ ; $C_{REF} = 47\text{nF}$	2.375	2.50	2.625	V
I <sub>SC</sub>	Short circuit current	$V_{REF} = 0$		10	20	mA

**MAIN CONVERTER FEEDBACK (ERROR AMPLIFIER A)**

V <sub>FB</sub>	Input Voltage	$T_j = 25^\circ\text{C}$	2.375	2.50	2.625	V
	Trim Range	About nominal	-5		+5	%
	Trim resolution			0.64		%

## L6610

### ELECTRICAL CHARACTERISTICS (continued)

(unless otherwise specified:  $T_J = 0$  to  $105^\circ\text{C}$ ;  $V_{DD} = 5\text{V}$ ,  $V_{3V3} = 3.3\text{V}$ ,  $V_{5V} = 5\text{V}$ ,  $V_{-12V} = -12\text{V}$ ,  $V_{-5V} = -5\text{V}$ ,  $V_{Dmon} = V_{DD}$ , PS-ON = low)

Symbol	Parameter	Test Condition	Min.	Typ.	Max.	Unit
Z <sub>FB</sub>	Divider impedance	from A <sub>inv</sub> to GND. 5V and 12V connected to GND.	35	50	65	k $\Omega$
	Temperature coefficient			26		$\Omega/^\circ\text{C}$
W <sub>5</sub>	Divider 5/12 weighting	5V contribution to 5/12 feedback	47	50	53	%
A <sub>VOL</sub>	Voltage gain	$2\text{V} < V_{\text{OUT}} < 4\text{V}$	65			dB
GBW	Unity gain bandwidth			3		MHz
PSRR	Power supply rejection ratio	$4.5\text{V} < V_{DD} < 6\text{V}$	60	70		dB
I <sub>OUTL</sub>	Output sink current	$V_{\text{FB}} = 2.7\text{V}$ , $V_{\text{OUT}} = 1.1\text{V}$	2	5	8	mA
I <sub>OUTH</sub>	Output source current	$V_{\text{FB}} = 2.3\text{V}$ , $V_{\text{OUT}} = 4\text{V}$	-1.0	-1.5	-2.0	mA
V <sub>OUTH</sub>	Output high level	$V_{\text{FB}} = 2.3\text{V}$ , I <sub>SOURCE</sub> = 1 mA	4	4.5		V
V <sub>OUTL</sub>	Output low level	$V_{\text{FB}} = 2.7\text{V}$ , I <sub>SINK</sub> = 2 mA		0.7	1.1	V

### MAGAMP OR LINEAR POST-REGULATOR FEEDBACK (ERROR AMPLIFIER B)

V <sub>FB</sub>	Input Voltage	$T_J = 25^\circ\text{C}$	1.22	1.25	1.28	V
	Trim Range	About nominal	-5		+5	%
	Trim resolution			0.64		%
I <sub>BIAS</sub>	Input bias current			-0.1	-1	$\mu\text{A}$
A <sub>VOL</sub>	Voltage gain	$2\text{V} < V_{\text{OUT}} < 4\text{V}$	65			dB
GBW	Unity gain bandwidth			3		MHz
PSRR	Power supply rejection ratio	$4.5\text{V} < V_{DD} < 6\text{V}$	60	70		dB
I <sub>OUTL</sub>	Output sink current	$V_{\text{FB}} = 1.4\text{V}$ , $V_{\text{OUT}} = 1.1\text{V}$	2	5	8	mA
I <sub>OUTH</sub>	Output source current	$V_{\text{FB}} = 1.1\text{V}$ , $V_{\text{OUT}} = 3\text{V}$	-1.0	-1.5	-2.0	mA
V <sub>OUTH</sub>	Output high level	$V_{\text{FB}} = 1.1\text{V}$ , I <sub>SOURCE</sub> = 1 mA	3	3.6	4	V
V <sub>OUTL</sub>	Output low level	$V_{\text{FB}} = 1.4\text{V}$ , I <sub>SINK</sub> = 2 mA		0.7	1.1	V

### AUXILIARY CONVERTER FEEDBACK (ERROR AMPLIFIER C)

V <sub>FB</sub>	Input Voltage	$T_{\text{amb}} = 25^\circ\text{C}$	1.22	1.25	1.28	V
	Trim Range	About nominal	-5		+5	%
	Trim resolution			0.64		%
I <sub>BIAS</sub>	Input bias current			-0.1	-1	$\mu\text{A}$
A <sub>VOL</sub>	Voltage gain	$2\text{V} < V_{\text{OUT}} < 4\text{V}$	65			dB
GBW	Unity gain bandwidth			3		MHz

**ELECTRICAL CHARACTERISTICS** (continued)

(unless otherwise specified:  $T_J = 0$  to  $105^\circ\text{C}$ ;  $V_{DD} = 5\text{V}$ ,  $V_{3V3} = 3.3\text{V}$ ,  $V_{5V} = 5\text{V}$ ,  $V_{-12V} = -12\text{V}$ ,  $V_{-5V} = -5\text{V}$ ,  $V_{Dmon} = V_{DD}$ , PS-ON = low)

Symbol	Parameter	Test Condition	Min.	Typ.	Max.	Unit
PSRR	Power supply rejection ratio	$4.5\text{V} < V_{DD} < 6\text{V}$	60	70		dB
$I_{OUTL}$	Output sink current	$V_{FB} = 1.4\text{V}$ , $V_{OUT} = 1.1\text{V}$	2	5	8	mA
$I_{OUTH}$	Output source current	$V_{FB} = 1.1\text{V}$ , $V_{OUT} = 4\text{V}$	-1.0	-1.5	-2.0	mA
$V_{OUTH}$	Output high level	$V_{FB} = 1.1\text{V}$ , $I_{SOURCE} = 1\text{ mA}$	4	4.5		V
$V_{OUTL}$	Output low level	$V_{FB} = 1.4\text{V}$ , $I_{SINK} = 2\text{ mA}$		0.7	1.1	V
$V_{OUTL}$	Output low level	$D_{mon} = 2.7\text{V}$ , $I_{SINK} = 5\text{ mA}$			0.25	V

**PROGRAMMING FUNCTIONS**

$V_{PROGLO}$	Prog Input Low				1.5	V
$V_{PROGHI}$	Prog Input High		3.5			V
$R_{PROG}$	Prog Pull Down			100		$\text{K}\Omega$
$V_{CLOCKLO}$	Clock Input Low				0.8	V
$V_{CLOCKHI}$	Clock Input High		2			V
$F_{CLOCK}$	Clock Frequency				0.8	MHz
$V_{DATALO}$	Data Input Low				1.5	V
$V_{DATAHI}$	Data Input High		2			V
$I_{FUSE}$	PROM Fuse Current			400		mA
$t_{FUSE}$	PROM Fusing Time			3		ms

TYPICAL ELECTRICAL CHARACTERISTICS

Figure 1. Supply start-up, UV and OV

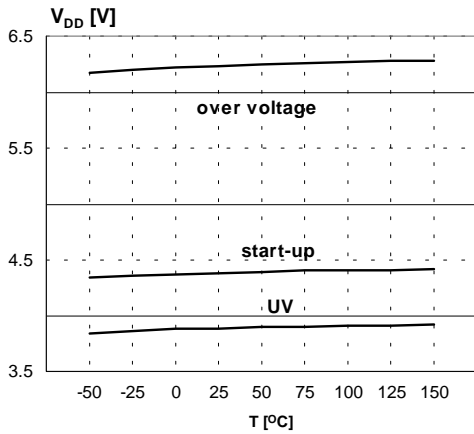


Figure 2. IC Supply current vs. supply voltage

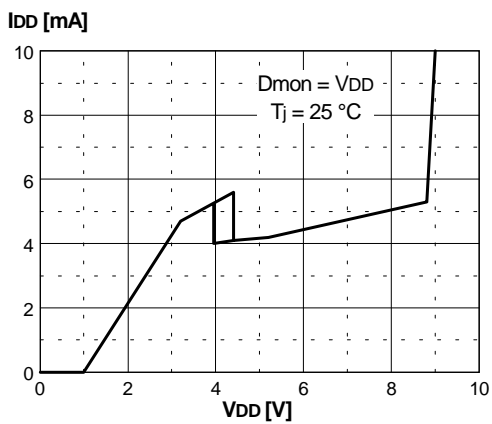


Figure 3. IC Supply current

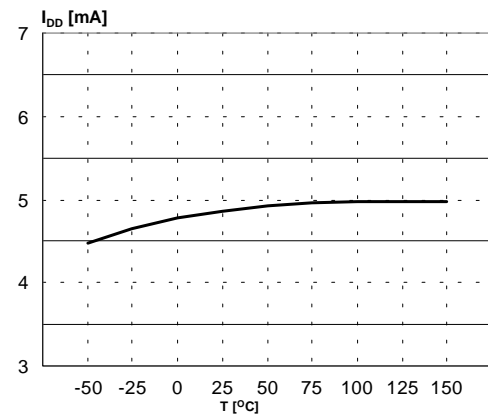


Figure 4. Monitored inputs bias current

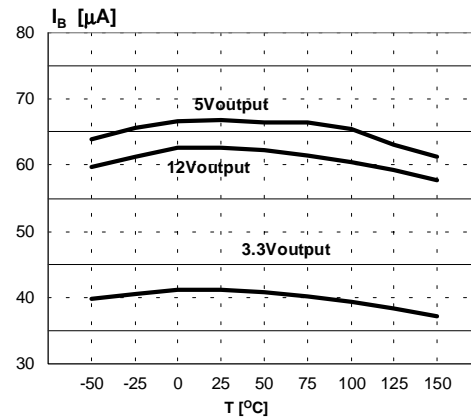


Figure 5. Output's current sense thresholds

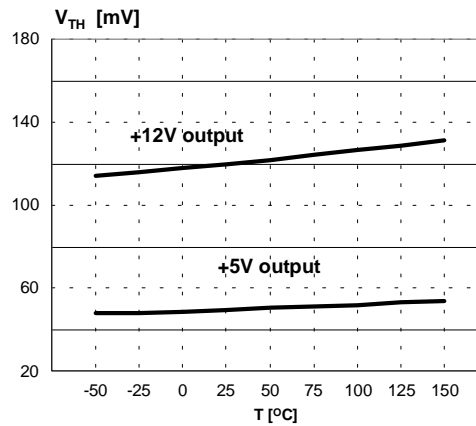
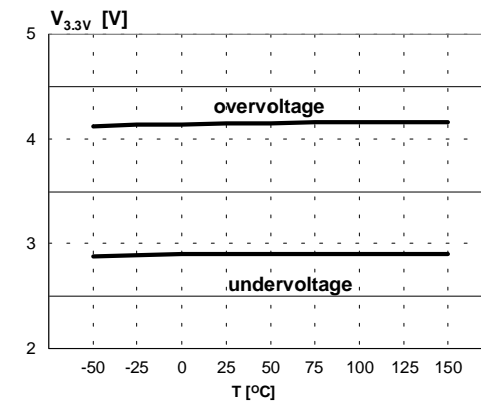


Figure 6. 3.3V fault thresholds



TYPICAL ELECTRICAL CHARACTERISTICS (continued)

Figure 7. 5V fault thresholds

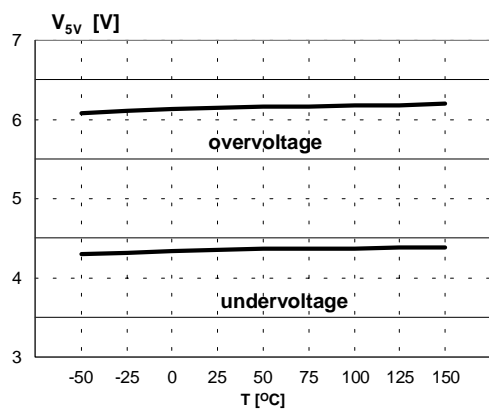


Figure 10. -5V and -12V bias current

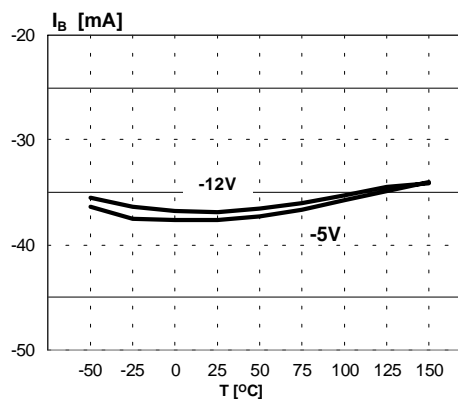


Figure 8. 12V fault thresholds

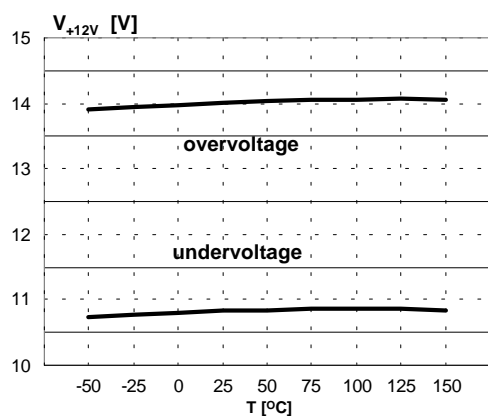


Figure 11. -5V and -12V fault thresholds

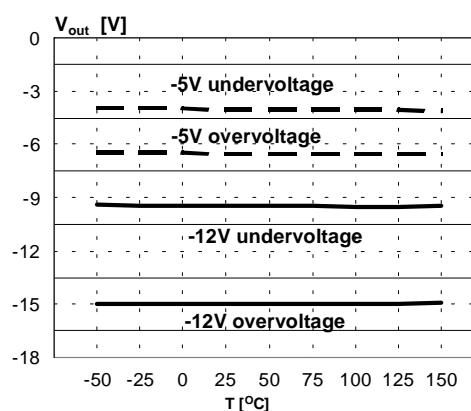


Figure 9. 3.3V/5V Dmon fault thresholds

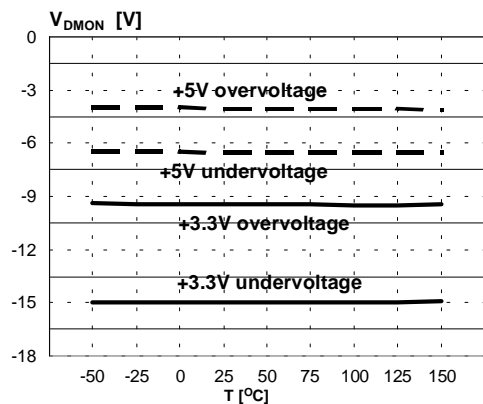
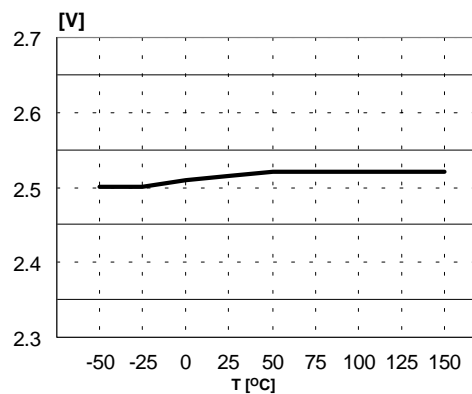


Figure 12. ACsense reference



TYPICAL ELECTRICAL CHARACTERISTICS (continued)

Figure 13. External voltage reference.

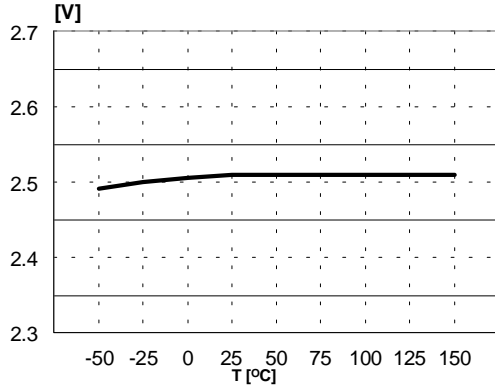


Figure 14. Error amplifier A, B and C reference voltage

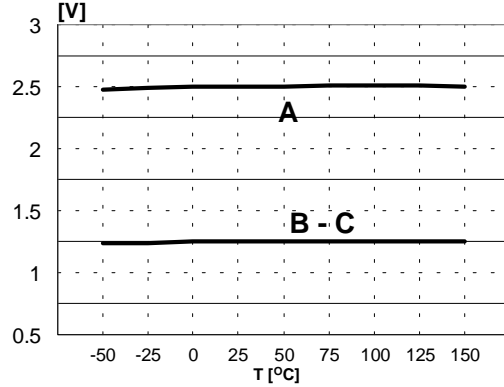
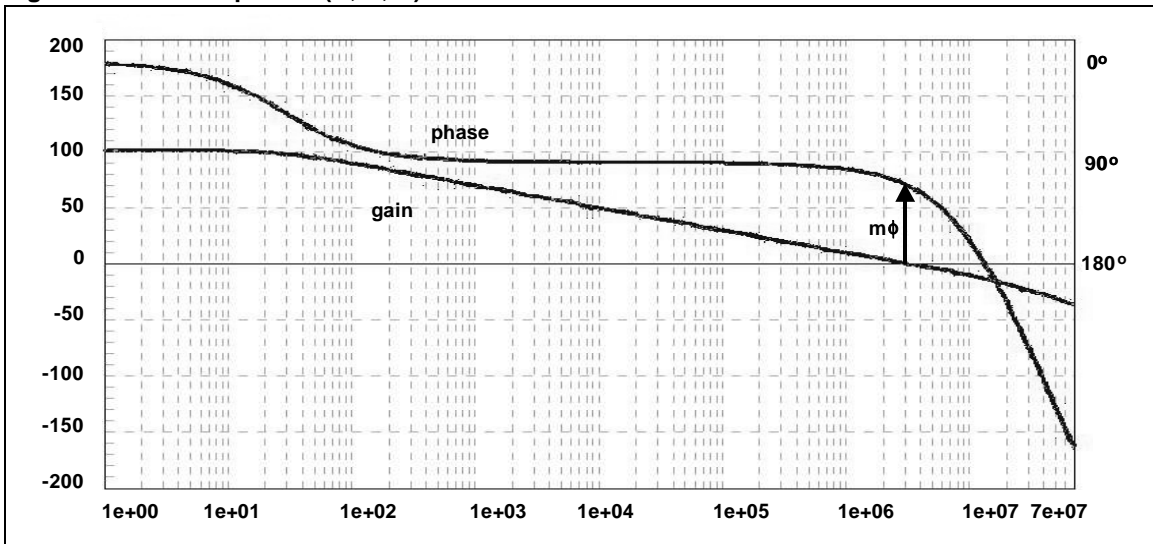


Figure 15. Error amplifiers (A, B, C) Gain and Phase



**APPLICATION INFORMATION INDEX**

<b>1</b>	On board digital trimming and mode selection.....	Page 16
<b>2</b>	Error amplifiers and reference voltages .....	18
	Main section: error amplifier A and Soft -Start	
	E/A and reference voltage	
	3.3V section: error amplifier B	
	Auxiliary section: error amplifier C	
<b>3</b>	Normal operation timing diagram .....	20
<b>4</b>	Undervoltage, overvoltage, overcurrent and relevant timings .....	21
<b>5</b>	AC sense (mains undervoltage warning) .....	21
<b>6</b>	Application example .....	23
<b>7</b>	Application ideas .....	25

## APPLICATION INFORMATION

## 1 ONBOARD DIGITAL TRIMMING AND MODE SELECTION

By forcing the PROG input pin high, the chip enters programming mode: the multifunction pins PW\_OK and PS\_ON are then disconnected from their normal functions (output pins) and are connected to internal logic as DATA and CLOCK inputs respectively, allowing chip programming even when the device is assembled on the application board. Onboard chip programming allows:

- selecting some working options;
- reference voltage setpoints adjusting.

It is also possible to verify the expected results before programming the chip definitively, in first instance, data can be loaded into a re-writable volatile memory (a flip-flop array) where they are kept as long as the chip is supplied and can be changed as many times as one desires. A further operation is necessary to confirm the loaded data and permanently store them into a PROM (a poly-fuse array) inside the IC.

Several steps compose the trimming/programming process:

1. PROG pin is forced high;
2. a clock signal is sent to the PS-ON/clock pin;
3. a byte with the following structure:

MSB				LSB			
D3	D2	D1	D0	A3	A2	A1	A0
Data				Address			

is serially sent to the PW-OK/DATA pin and loaded into the IC's volatile memory bit by bit on the falling edges of the clock signal (see Fig. 16); "Address" is the identification code of the parameter that has to be trimmed and "Data" contains the tuning bits;

4. PROG pin is forced low (warning:  $V_{dd}$  must never fall below  $V_{ddUVLO}$  during this process otherwise the contents of the volatile memory will be lost) and the result of the previous step is checked;
5. after any iterations of the steps 1-4 that might be necessary to achieve the desired value, force PROG pin high and send the following burn code

MSB				LSB			
0	0	0	0	1	1	1	1

to permanently store the data in the PROM memory.

Table 1 shows the list of the 6 programmable classes of functions, each one identified by a different code A0..A3, and the corresponding trimmable parameter(s); in table 2 it is possible to find the trim coding for the E/A reference setpoints and in table 3 all the selections mode option coding are showed. The timing diagram of fig. 16 shows the details of data acquisition.

**Table 1. Programmable functions**

Address	Parameter(s)	Default value	Tuning bits
0001	Error amplifier A threshold	2.50V	D <sub>3</sub> D <sub>2</sub> D <sub>1</sub> D <sub>0</sub>
0010	Error amplifier B threshold	1.25V	D <sub>3</sub> D <sub>2</sub> D <sub>1</sub> D <sub>0</sub>
0011	Error amplifier C threshold	1.25V	D <sub>3</sub> D <sub>2</sub> D <sub>1</sub> D <sub>0</sub>
0100	AC sense threshold	2.50V	D <sub>3</sub> D <sub>2</sub> D <sub>1</sub> D <sub>0</sub>
0101	AC sense hysteresis	50µA	D <sub>2</sub> D <sub>1</sub> D <sub>0</sub>
	Latch/Bounce mode selection	Latch mode	D <sub>3</sub>
0110	Enable/Disable 12V UV/OV function	Enabled	D <sub>3</sub> D <sub>2</sub> D <sub>1</sub> D <sub>0</sub>
	Enable/Disable 5V UV/OV function	Enabled	
	5V/3V3 Dmon selection	5V selection	
	5V/3V3 Overcurrent selection	5V selection	



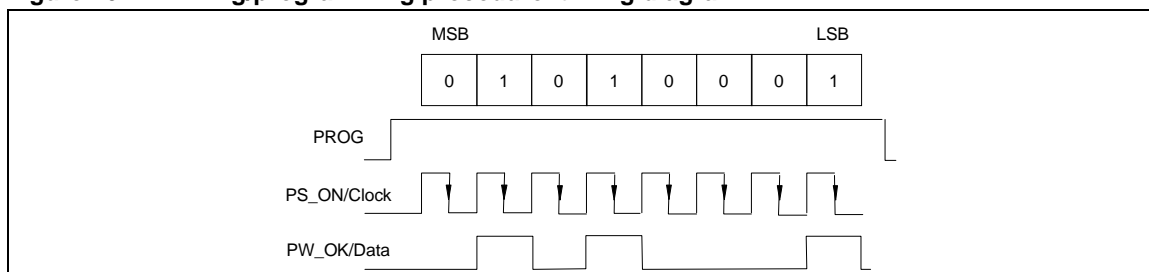
Table 2. Trim Coding

Parameter	E/A A threshold 2.5V typ.	E/A B threshold 1.25V typ.	E/A C threshold 1.25V typ.	ACsns threshold 2.5V typ.	ACsns Hysteresys 50 $\mu$ A typ.
Address	0001	0010	0011	0010	0101
Tuning Bits D <sub>3</sub> D <sub>2</sub> D <sub>1</sub> D <sub>0</sub>	D3 D2 D1 D0 $\Delta$ V [mV]	D3 D2 D1 D0 $\Delta$ V [mV]	D3 D2 D1 D0 $\Delta$ V [mV]	D3 D2 D1 D0 $\Delta$ V [mV]	D2 D1 D0 $\Delta$ I [ $\mu$ A]
0 1 1 1	+112	+56	+56	+112	
0 1 1 0	+96	+48	+48	+96	
0 1 0 1	+80	+40	+40	+80	
0 1 0 0	+64	+32	+32	+64	
0 0 1 1	+48	+24	+24	+48	+7.5
0 0 1 0	+32	+16	+16	+32	+5.0
0 0 0 1	+16	+8	+8	+16	+2.5
0 0 0 0	0	0	0	0	0
1 1 1 1	-16	-8	-8	-16	-2.5
1 1 1 0	-32	-16	-16	-32	-5.0
1 1 0 1	-48	-24	-24	-48	-7.5
1 1 0 0	-64	-32	-32	-64	-10
1 0 1 1	-80	-40	-40	-80	
1 0 1 0	-96	-48	-48	-96	
1 0 0 1	-112	-56	-56	-112	
1 0 0 0	-128	-64	-64	-128	

Table 3. Mode coding

Parameter	Bounce or Latch Mode	Enable/Disable 12V UV/OV	Enable/Disable 5V UV/OV	5V/ 3.3V Dmon Selection	5V/3.3V OCP Selection
Address	A3 A2 A1 A0 0101	A3 A2 A1 A0 0110			
Bit Value	Tuning Bit				
	D3	D3	D2	D1	D0
0	Latch	Enabled	Enabled	5V	5V
1	Bounce	Disabled	Disabled	3.3V	3.3V

Figure 16. Trimming/programming procedure: timing diagram



## 2 ERROR AMPLIFIERS AND REFERENCE VOLTAGES

Three error amplifiers are implemented on the IC to achieve regulation of the output voltages: a brief description follows for each section.

### – Main section: error amplifier A and Soft-Start.

The circuit is designed to directly control the Main primary PWM through an optocoupler, providing very good regulation and galvanic isolation from the primary side. Typical solutions require a shunt regulator, like the TL431, as a reference and feedback amplifier to sense the output voltage and generate a corresponding error voltage; this voltage is then converted in a current transferred to the primary side through the optocoupler.

The feedback E/A amplifier is integrated in the IC: its non-inverting input is connected to an internally generated voltage reference, whose default value is typically 2.5V. It can however be trimmed to obtain a better precision (see "On board trimming and mode operating" section). Then, no TL431 is needed.

The E/A inverting input (Ainv, pin#5) and the E/A output (Aout, pin#6) are externally available and the frequency compensation network (Zc) will be connected between them (see fig. 17).

The high impedance (in the hundred k $\Omega$ ) internal divider from 12V and 5V UV/OV sense pins eliminates the need for an external one in most applications, allowing a further reduction in the number of external component.

Under closed loop condition, the two upper branches, connected to 12V and 5V pins, supply equally the current flowing through R3 = 80.6K (equal to 2.5V/R3).

In order to avoid high current peaks in the primary circuit and output voltage overshoots at start-up, the IC provides an on-board 8ms soft-start, a quasi-monotonic ramp from 0V to 2.5V for the A error amplifier reference voltage,. In fact, if this reference gets the nominal value as soon as the power-up occurs, the A E/A will go out of regulation and tend to sink much more current, thus forcing PWM to work with the maximum duty-cycle.

### – E/A and references voltage

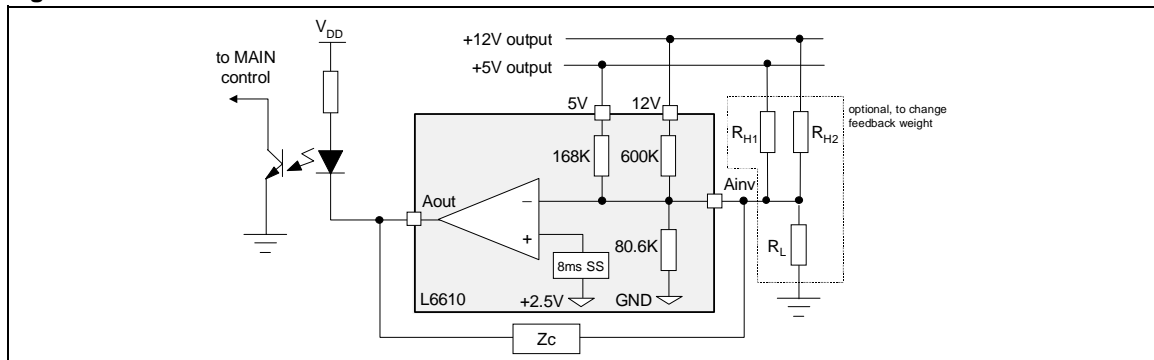
Being the inverting input of E/A externally available, it is possible to change the "weight" of the two contributions or even eliminate one of them by connecting external resistors of much lower value (R<sub>L</sub>, R<sub>H1</sub> and/or R<sub>H2</sub> in fig. 17) that bypass the internal ones appropriately.

For example using R<sub>L</sub>=2.4K, R<sub>H1</sub>=3.9K and R<sub>H2</sub>=24K, then the ratio between +5V and +12V output weight will be equal to 6:4.

By simply making R<sub>H1</sub> = R<sub>L</sub> (for example 2.4K) with no R<sub>H2</sub>, only the +5V output is kept under feedback because the contribution of +12V branch (through the internal 600K resistor) will be negligible.

The pin #24 (12V) has to be however connected to +12V output to guarantee the OV/UV monitoring.

Figure 17. Main feedback section



### – 3.3V section, error amplifier B.

It is the error amplifier used to set the magamp core through an external circuitry (see a typical schematic in figure 18).

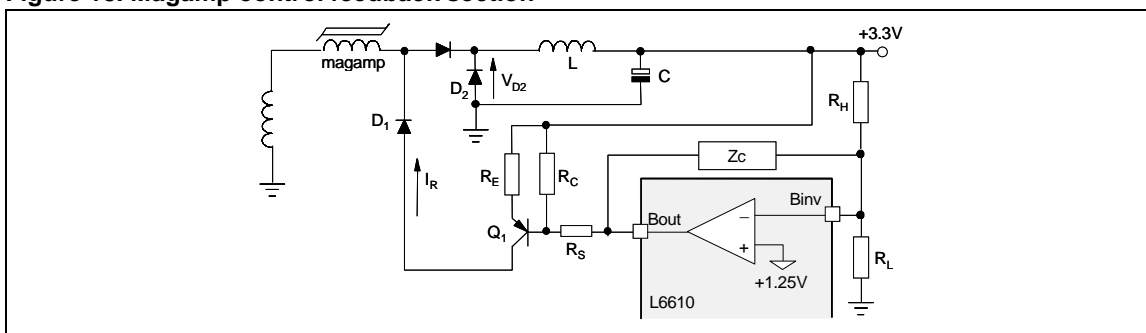
The non-inverting input of the error amplifier is connected to a trimmable 1.25V internal voltage reference (see "On board trimming and mode operating" paragraph). The E/A inverting input is externally available (Binv, pin#2) and is connected to the output divider (R<sub>H</sub> and R<sub>L</sub>); the output pin (Bout,

pin#3) drives the external circuitry that biases the magamp core. Between these pins it is connected the compensation network ( $Z_C$ ). The maximum positive output voltage is clamped at about 3.5V to improve response time.

The feedback control circuit determines the magamp "off" time, converting the voltage at the output of error amplifier into a current  $I_R$ , which resets the magamp. If the output voltage exceeds its preset value,  $V(B_{out})$  decreases; this causes a higher voltage across  $R_C$  which, in turn, implies a larger voltage across  $R_E$  and a larger reset current  $I_R$  ( $V_{BE}$  of  $Q_1$  is supposed constant). A larger  $I_R$  causes the PWM waveform across  $D_2$  to get narrower. This pulls the output voltage back to the desired level and achieves regulation.

It is possible to use this section to drive a pass transistor to obtain 3.3V with a linear regulator; in the "Application idea" section an example is showed to implement this solution.

**Figure 18. Magamp control feedback section**



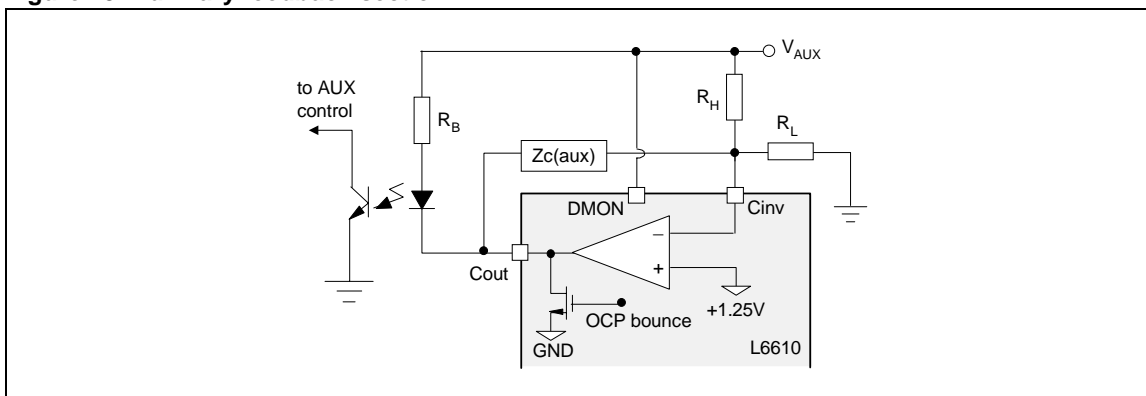
- **Auxiliary section, error amplifier C.** This section (fig. 19) provides the feedback signal for the auxiliary converter following the same operating principles as the Main section. The auxiliary output voltage ( $V_{aux}$ ) is often defined as "Standby voltage" because the converter remains alive during standby condition (the Main converter is stopped) to supply the chip and all the ancillary circuits. Typical values for its output voltage are 5V or 3.3V.

The inverting input ( $C_{inv}$ , pin#9) is connected to the output voltage through an external resistor divider whereas the non-inverting one is connected to a 1.25V trimmable internal voltage reference (see "On board trimming and mode operating" paragraph).

The compensation network  $Z_c(aux)$  is placed between E/A inverting input and output pins.

When  $D_{mon}$  recognizes an undervoltage condition on the auxiliary output, an internal n-channel MOS (in open drain configuration) grounds E/A output pin; the high current flowing through the optocoupler is then transferred to the primary side causing a duty cycle as short as possible; this prevents a high energy transfer from primary to secondary under short circuit conditions, thus reducing the thermal stress on the power components.

**Figure 19. Auxiliary feedback section**

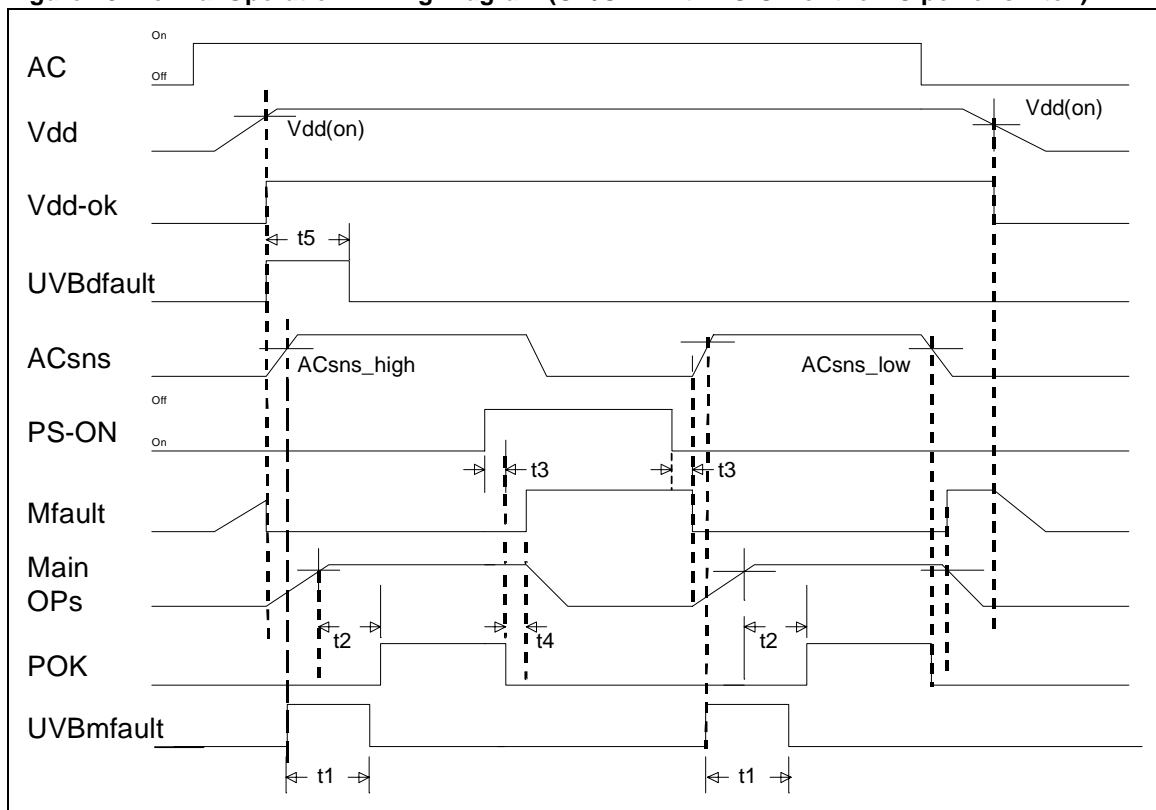


### 3 NORMAL OPERATION TIMING DIAGRAM (FIG. 20)

The time intervals t1-t5 are listed below

- **t1**: UV/OC blanking of MFAULT. While Main outputs are ramping up, the UV comparators are blanked for this interval to prevent a false turn-off. No such blanking is applied to OV faults.
- **t2**: PW-OK delay. This period starts when all monitored outputs and AC sense are above their respective UV levels and finishes at PW-OK going high.
- **t3**: PS-ON debounce period. The voltage on PS-ON must be continuously present in a high or low state for a minimum period for that state to be recognized.
- **t4**: Tdelay. The time from PS-ON being recognized as going high to MFAULT going high. This is to provide a power down warning. When PS-ON requests power off, PW-OK goes low immediately.
- **t5**: UV blanking of DFAULT. During initial power up a period of UV blanking is applied to DFAULT as soon as Vdd to the chip is in the correct range. No such blanking is applied to OV faults.

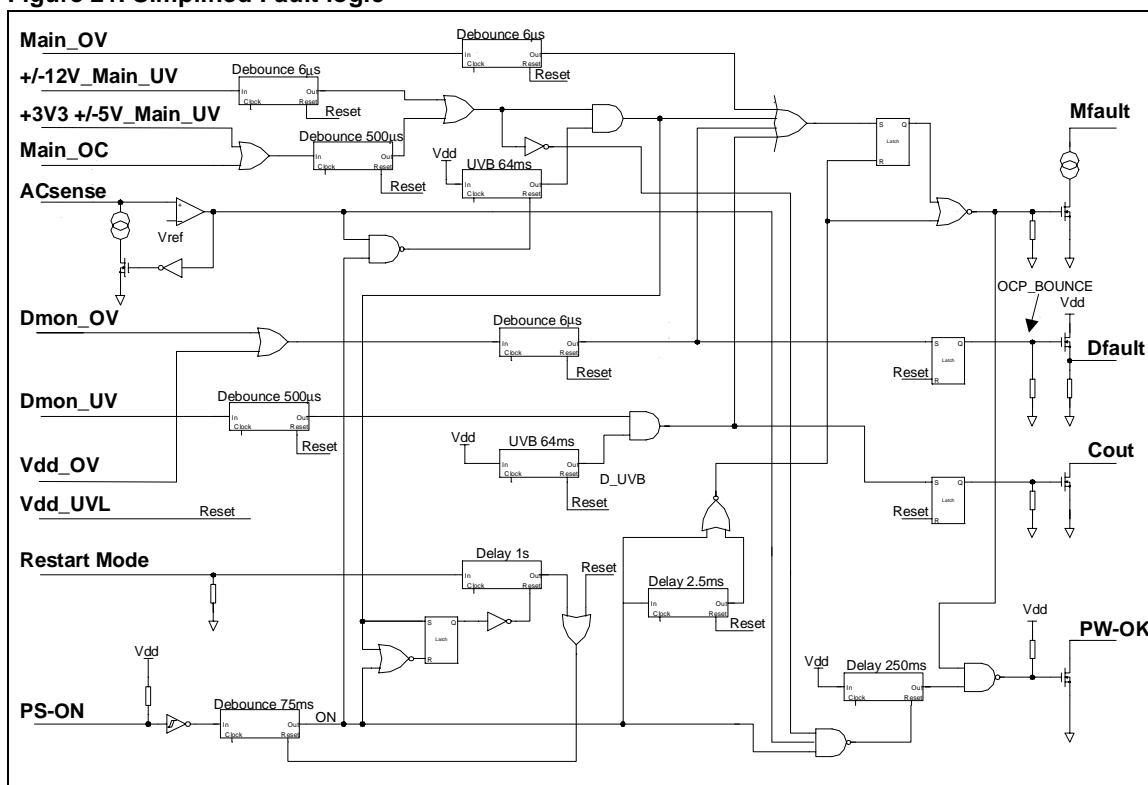
**Figure 20. Normal Operation Timing Diagram (ON/OFF with PS-ON or the AC power switch).**



#### 4 UNDERVOLTAGE, OVERVOLTAGE, OVERCURRENT DETECTION AND RELEVANT TIMINGS

The IC provides on-board undervoltage and overvoltage protection for 3V3,  $\pm 5V$ ,  $\pm 12V$  Main input pins and Dmon auxiliary input pin. Overcurrent protection is available for 12V and 5V or 3.3V, digitally selectable. The internal fault logic is illustrated in figure 21.

**Figure 21. Simplified Fault logic**

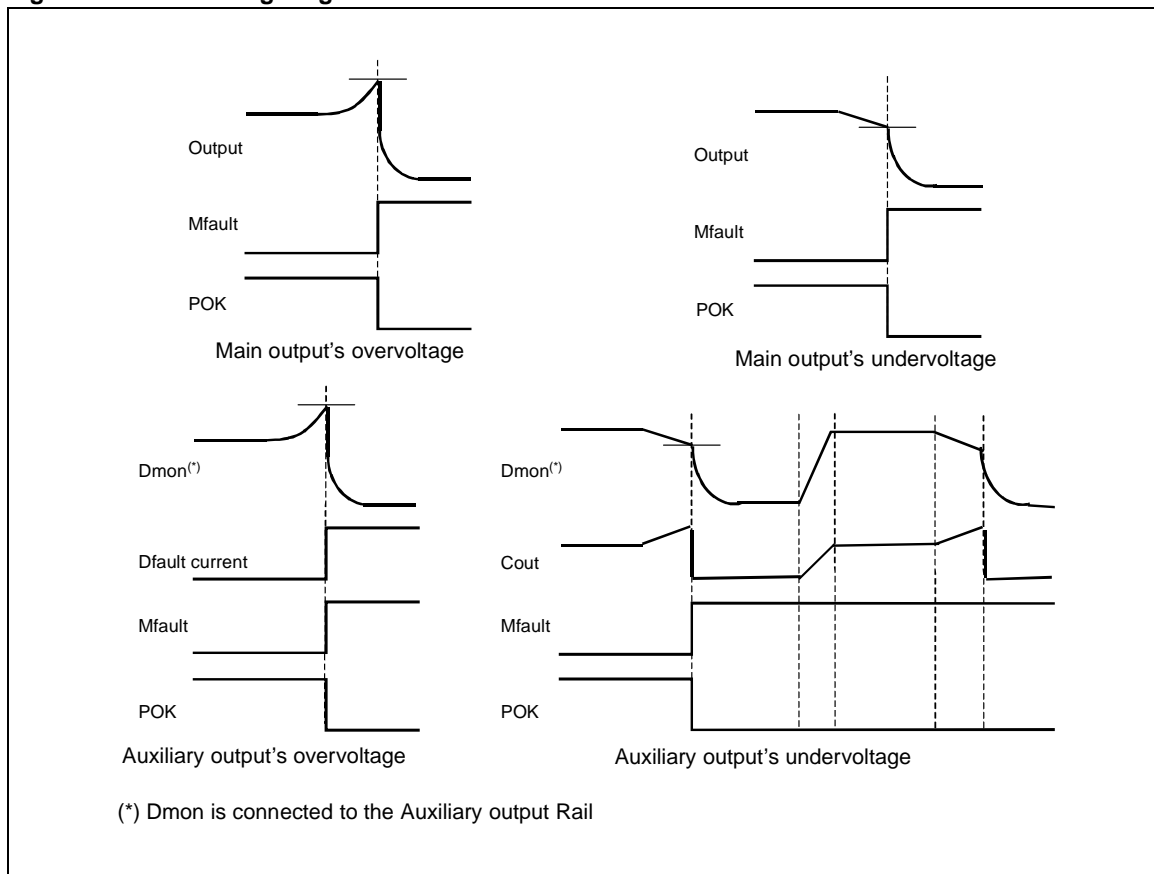


- **Main inputs overvoltage:** whenever one of main outputs (3.3V,  $\pm 5V$ ,  $\pm 12V$ ) is detected as going overvoltage, MFAULT is latched high (which stops the Main PWM) and PW-OK goes low. Cycling the PS-ON switch or reducing Vdd below its undervoltage threshold releases the latch. A delay of 6 $\mu$ s is implemented before MFAULT latching.  
The OV protection for the 12V and 5V outputs can be disabled (see "On board trimming and mode operating" section).
- **Main inputs undervoltage:** when an undervoltage on main outputs is detected, MFAULT is latched high (the Main PWM stops) and PW-OK goes low. The latches are released, by default, cycling the PS-ON switch or reducing Vdd below its undervoltage threshold (latching mode); optionally, an attempt is made to restart the supply after of 1 second (bounce mode). The choice depends on the selected mode (see "On board trimming and mode operating" section).  
Debounce logic is implemented for 3.3V and 5V so that an undervoltage condition on these signals has to last 450 $\mu$ s to be recognized as valid while 6 $\mu$ s debounce logic is implemented for 12V and -12V input signal. When all main undervoltages are over and ACsns is OK (see the relevant section), PW\_OK goes high after a delay of 250ms.
- **Dmon input overvoltage:** whenever the Dmon input pin is detected as going overvoltage, both MFAULT and DFAULT are latched high. The latch is released by reducing Vdd below its undervoltage threshold. Debounce logic is implemented so that MFAULT and DFAULT signals are latched only if the overvoltage condition lasts more than 6 $\mu$ s.  
To protect the load against overvoltage, typical solutions make use of a power crowbar (SCR) driven by

DFAULT; in the "Application ideas" section, another simple circuit is showed to guarantee the same protection without the SCR.

- **Dmon input undervoltage:** when an undervoltage on Dmon is detected, MFAULT is put high, Cout is pulled low (an internal OCP\_BOUNCE signal is generated, see fig. 21) and PW\_OK falls down. This function is enabled 64ms after the UVLO signal falls down. Debounce logic is implemented so that MFAULT and OCP\_BOUNCE signals are generated only if the undervoltage condition lasts more than 500µs.  
The Dmon UV and OV protections can be set to work with thresholds set for 5V or 3.3V output voltage: the choice depends on the IC programming.
- **Overcurrent protection:** the IC provides an on-board overcurrent protection for 5V and 12V main input pins. Optionally, it is possible to switch the monitoring from 5V to 3.3V output using the IC programming (see "On board trimming and mode operating" section).

**Figure 22. Fault timing diagram**



The overcurrent function is implemented with a comparator detecting the voltage drop across an external current sense resistor in series with the output. If this voltage gets higher than a fixed threshold (50mV for 5V input monitoring and 120mV for 12V input monitoring), an internal MAIN\_OC signal is generated; a 450µs debounce time exists to assert MFAULT high. Depending on the selected operating mode, MFAULT will be latched high (default latching mode) or pulled low again after about 1s to allow autorecovery (bounce mode).

To disable this function, the input sense pin may be left open (an internal pull-down is provided), shorted to ground or shorted to 5V or 12V pin.

## 5 AC SENSE (MAINS UNDERVOLTAGE WARNING)

The device monitors the primary bulk voltage and warns the system when the power is about to be lost pulling down the PW\_OK output.

The ACsns pin is typically connected to one of the windings of the main transformer (see fig. 23). Through a single-diode rectification filter, a voltage equal to  $V_B = V_{BULK}/N$  (where  $V_{BULK}$  is the voltage across the bulk capacitor on primary side and  $N$  is the transformer turn ratio) is present at point B. A resistor ( $R_F$ ) could be useful to clamp voltage spikes present.

The fault signal is generated by means of AC\_GOOD, the output of an internal comparator; this comparator is internally referred to a trimmable 2.5V reference and indicates an AC fault if the voltage applied at its externally available (non-inverting) input is below the internal reference, as shown in fig. 23.

This comparator is provided with current hysteresis instead of a more usual voltage hysteresis: an internal 50 $\mu$ A current generator is ON if the voltage is below 2.5V and is turned off when the voltage applied at the non-inverting input exceeds 2.5V.

This approach provides an additional degree of freedom: it is possible to set the ON threshold and the OFF threshold separately by properly choosing the resistors of the external divider. The following relationships can be established for the ON ( $V_{B(ON)}$ ) and OFF ( $V_{B(OFF)}$ ) thresholds of the input voltage:

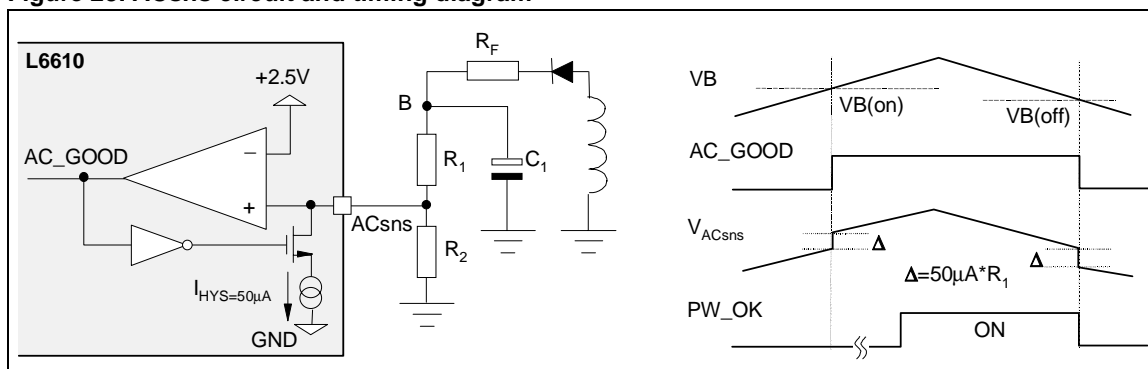
$$\frac{V_{B(ON)} - 2.5}{R_1} = \frac{2.5}{R_2} + 50\mu A \quad V_{B(OFF)} \cdot \frac{R_2}{R_1 + R_2} = 2.5$$

which, solved for  $R_1$  and  $R_2$ , yields:

$$R_1 = \frac{V_{B(ON)} - V_{B(OFF)}}{50\mu A} \quad R_2 = R_1 \cdot \frac{2.5}{V_{B(OFF)} - 2.5}$$

Both the ACsns threshold and the hysteresis current can be trimmed (see "On board trimming and mode operating" section).

**Figure 23. ACsns circuit and timing diagram**



## 6 APPLICATION EXAMPLE

In applications like desktop PC's, server or web server, the system usually consists of two converters (Main and Auxiliary) that can be supplied directly from either the AC Mains or a PFC stage. The control and supervision at the secondary side is usually entrusted to a housekeeping circuit.

The Auxiliary section supplies a stand-by voltage (5V typ.) through a flyback converter. The Main section, in forward configuration, presents 5 standard outputs (3.3V,  $\pm 5V$ ,  $\pm 12V$ ).

At the secondary side, the housekeeping circuitry governed by the L6610 checks the outputs and sends control signals to the primary side through three optocouplers. It also generates power good information to the system while managing all timings during power-up and power-down sequences. In fig. 24 a detailed circuit for the secondary side is presented; it is possible to note the very low number of external components required.

## L6610

Simply connecting the power supply outputs to the L6610 relevant pins ensures the protection against over/undervoltage in the Main section; the protection against overcurrent can be achieved (for 12V and 5V or 3.3V) adding a small sense resistor.

A crowbar on the auxiliary output is switched on through DFAULT in case of overvoltage.

The L6610 is supplied by the Auxiliary output; the signals sent to the primary side are:

- a "digital" ON/OFF signal through an optocoupler that drives the relevant pin of primary Main controller to switch the Main converter ON and OFF;
- two analog signals that provide voltage feedback for both the Auxiliary and the Main section, driving the primary controller pins responsible for the duty cycle modulation.

In server's SMPS applications, a current sharing system is usually required to allow paralleling of several modules: the L6615 (ST's Current sharing IC, [1]) does the job providing an interface for this purpose (fig. 25) and guaranteeing an homogeneous current distribution between the paralleled power supplies.

The voltage drop across the sense resistors for overcurrent detection can be also used whenever current sharing is required for 5V (or 3.3V) and/or 12V: the L6615 has a differential sense amplifier whose inputs can be connected (through two resistors) at the two sense resistor leads. The share bus, referred to ground, links all the paralleled power supplies.

## REFERENCES

- [1] "L6615 - Load share controller" (Datasheet)

Figure 24. Detailed Secondary Side

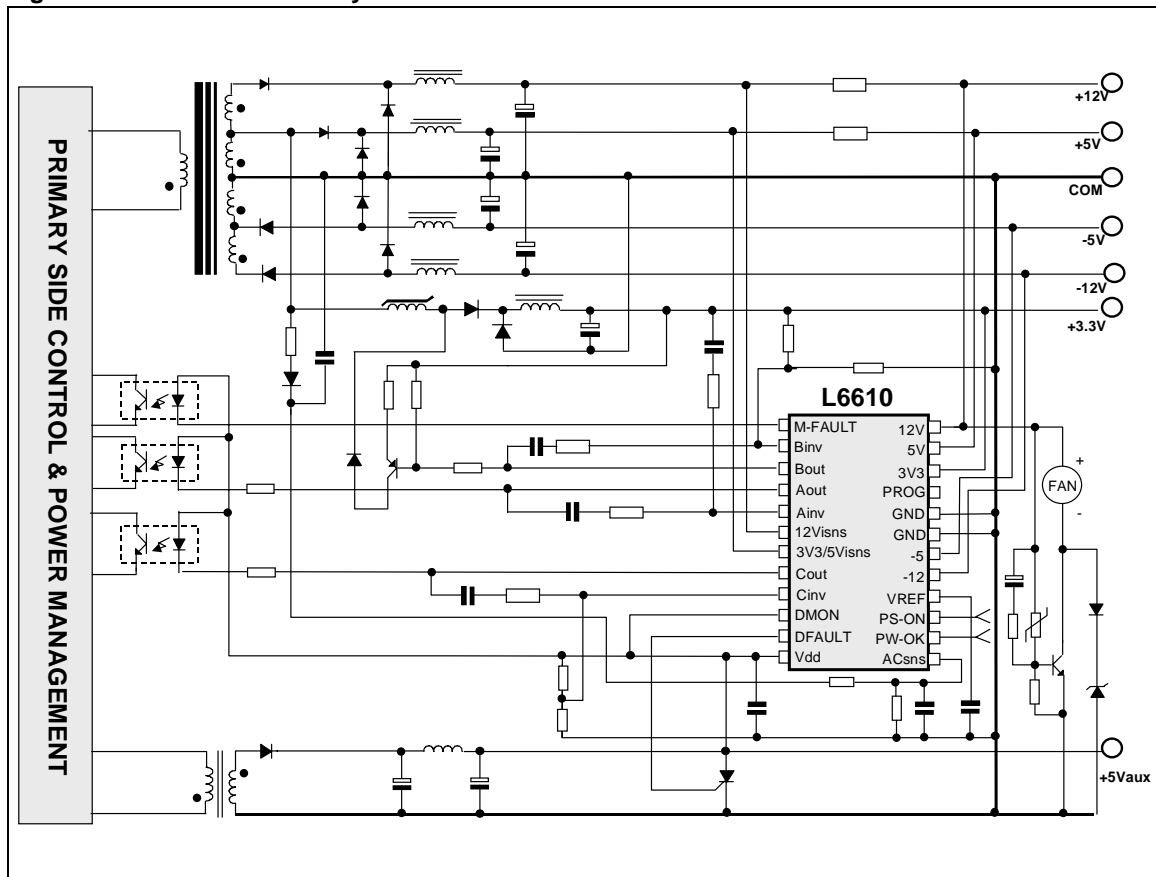
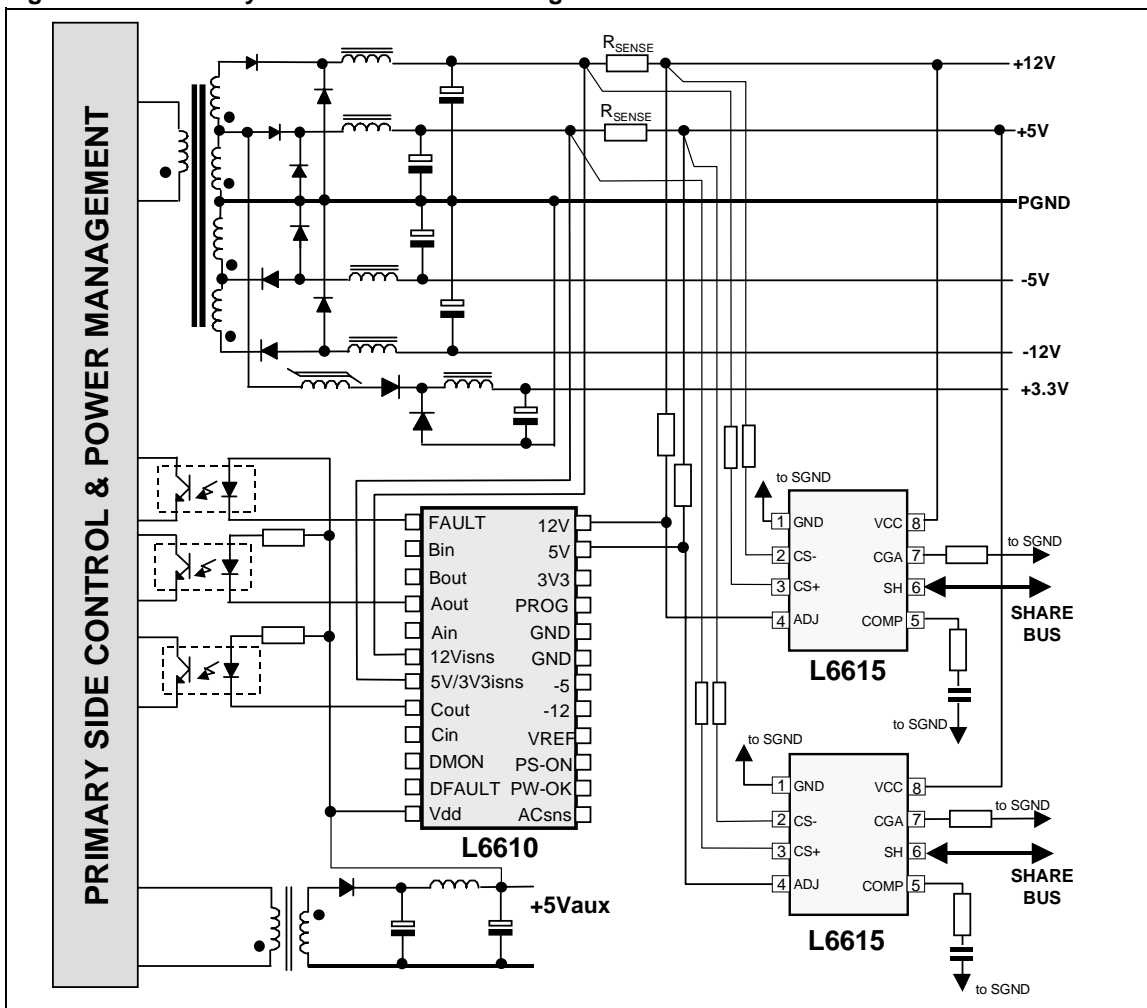




Figure 25. Secondary side with current sharing



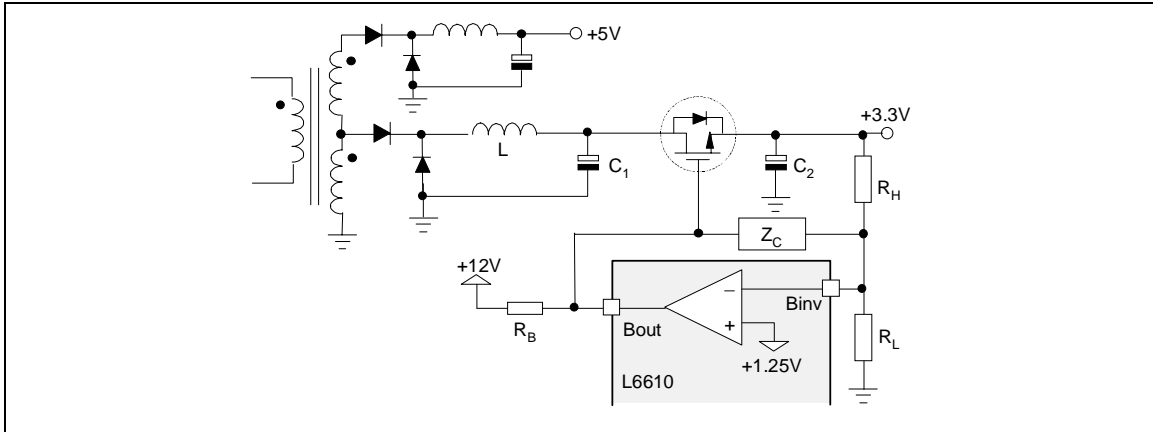
## 7 APPLICATION IDEAS

In fig. 26 a circuit is suggested to obtain the regulated +3.3V output with a linear configuration instead of the Magamp circuitry.

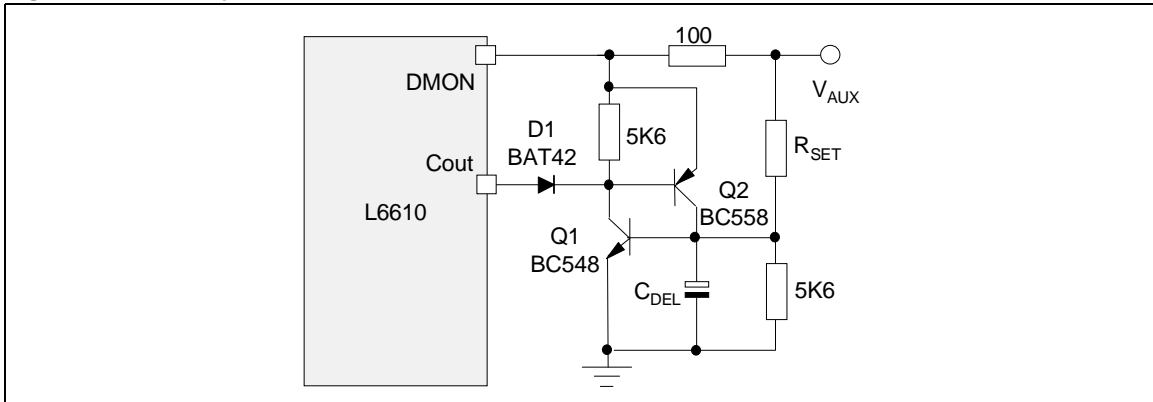
In this case the output of the E/A modulates the gate-source voltage of a power MOS in series with the power stage.

In fig. 27 a simple and cheap latch circuit is showed to manage an OV fault on the Auxiliary output in the same way of an OC (UV) fault, without having recourse to a (expensive) power crowbar. By tuning the value of  $R_{SET}$  it is possible to set the voltage value that triggers the latch circuit;  $C_{DEL}$  defines the turn-on delay. A diode connected between the collector of Q1 and Cout pulls down the output of the auxiliary E/A: this has the same effect of the OCP\_bounce internal signal that guarantees the reduction of duty cycle.

**Figure 26. Controlling a Linear Regulator with the Error Amplifier B**

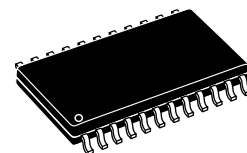


**Figure 27. Auxiliary OVP without Crowbar**

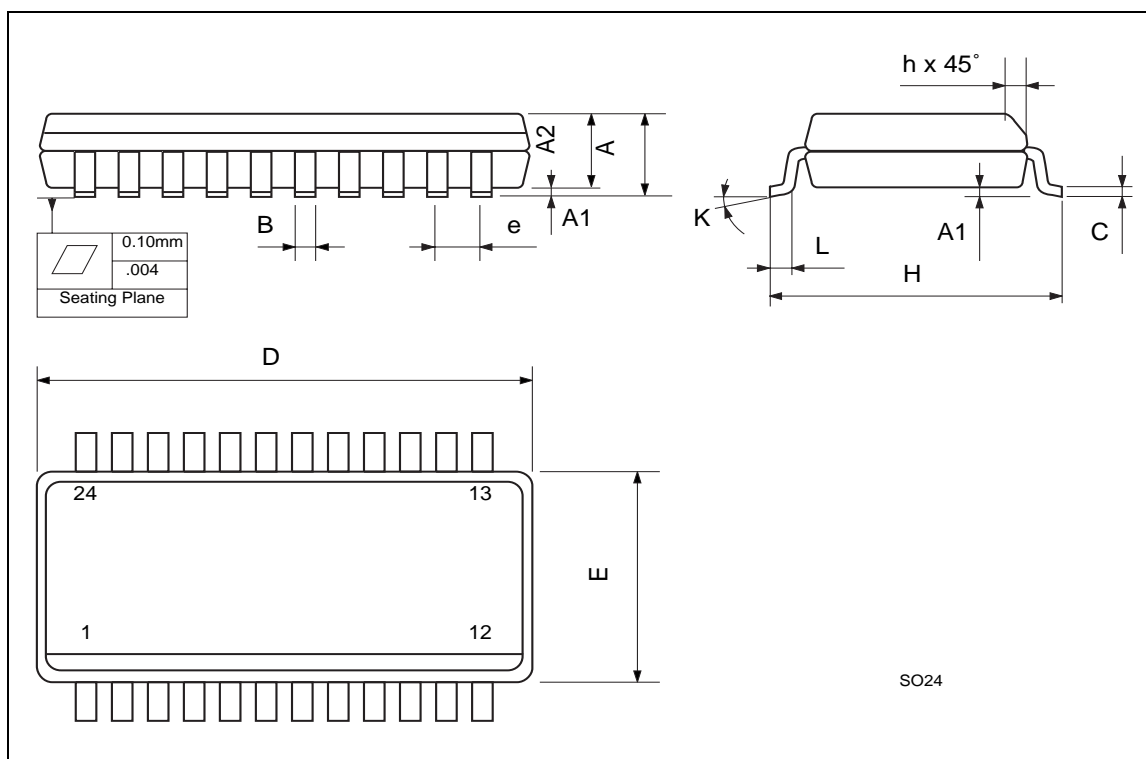


DIM.	mm			inch		
	MIN.	TYP.	MAX.	MIN.	TYP.	MAX.
A	2.35		2.65	0.093		0.104
A1	0.10		0.30	0.004		0.012
A2			2.55			0.100
B	0.33		0.51	0.013		0.0200
C	0.23		0.32	0.009		0.013
D	15.20		15.60	0.598		0.614
E	7.40		7.60	0.291		0.299
e		1.27			0,050	
H	10.0		10.65	0.394		0.419
h	0.25		0.75	0.010		0.030
k	0° (min.), 8° (max.)					
L	0.40		1.27	0.016		0.050

## OUTLINE AND MECHANICAL DATA

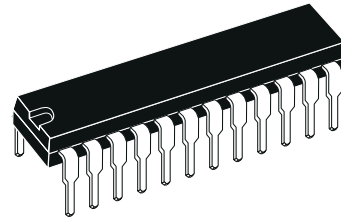


### SO24

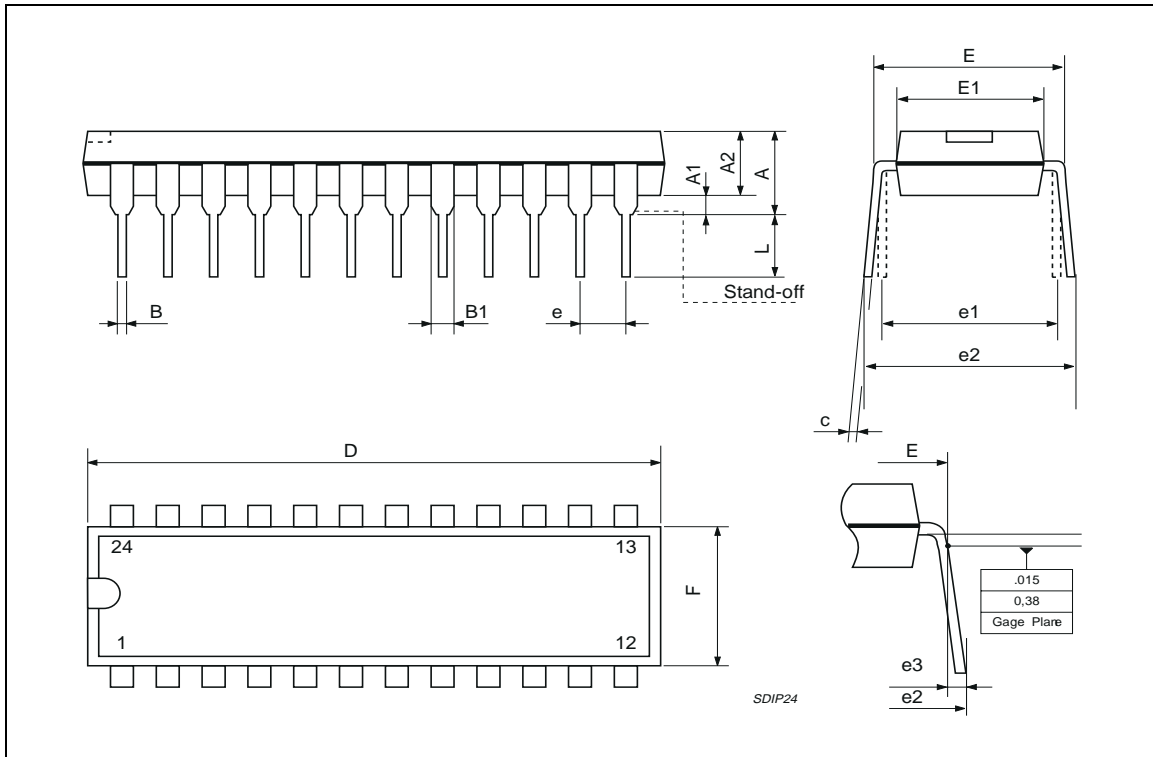


DIM.	mm			inch		
	MIN.	TYP.	MAX.	MIN.	TYP.	MAX.
A			5.08			0.20
A1	0.51			0.020		
A2	3.05	3.30	4.57	0.120	0.130	0.180
B	0.36	0.46	0.56	0.0142	0.0181	0.0220
B1	0.76	1.02	1.14	0.030	0.040	0.045
c	0.23	0.25	0.38	0.009	0.0098	0.0150
D	22.61	22.86	23.11	0.890	0.90	0.910
E	7.62		8.64	0.30		0.340
E1	6.10	6.40	6.86	0.240	0.252	0.270
e		1.778			0.070	
e1		7.62			0.30	
e2			10.92			0.430
e3			1.52			0.060
L	2.54	3.30	3.81	0.10	0.130	0.150

**OUTLINE AND MECHANICAL DATA**



**SDIP24 (0.300")**



Information furnished is believed to be accurate and reliable. However, STMicroelectronics assumes no responsibility for the consequences of use of such information nor for any infringement of patents or other rights of third parties which may result from its use. No license is granted by implication or otherwise under any patent or patent rights of STMicroelectronics. Specifications mentioned in this publication are subject to change without notice. This publication supersedes and replaces all information previously supplied. STMicroelectronics products are not authorized for use as critical components in life support devices or systems without express written approval of STMicroelectronics.

The ST logo is a registered trademark of STMicroelectronics  
® 2002 STMicroelectronics - All Rights Reserved

STMicroelectronics GROUP OF COMPANIES

Australia - Brazil - Canada - China - Finland - France - Germany - Hong Kong - India - Israel - Italy - Japan - Malaysia - Malta - Morocco -  
Singapore - Spain - Sweden - Switzerland - United Kingdom - United States.

<http://www.st.com>

