

## *DABiC-5 Latched Sink Drivers*

### **Discontinued Product**

This device is no longer in production. The device should not be purchased for new design applications. Samples are no longer available.

Date of status change: November 1, 2010

#### **Recommended Substitutions:**

*For existing customer transition, and for new customers or new applications, refer to your Allegro sales representative.*

---

**NOTE:** For detailed information on purchasing options, contact your local Allegro field applications engineer or sales representative.

---

*Allegro MicroSystems, Inc. reserves the right to make, from time to time, revisions to the anticipated product life cycle plan for a product to accommodate changes in production capabilities, alternative product availabilities, or market demand. The information included herein is believed to be accurate and reliable. However, Allegro MicroSystems, Inc. assumes no responsibility for its use; nor for any infringements of patents or other rights of third parties which may result from its use.*


## DABiC-5 Latched Sink Drivers

### Features and Benefits


- 3.3 to 5 V logic supply range
- Up to 10 MHz data input rate
- High-voltage, high-current outputs
- Darlington current-sink outputs, with improved low-saturation voltages
- CMOS, TTL compatible inputs
- Output transient protection
- Internal pull-down resistors
- Low-power CMOS latches

### Packages

A6800  
14-pin SOICN  
(L package)



A6801  
28-pin PLCC  
(EP package)



### Description

The A6800 and A6801 latched-input BiMOS ICs merge high-current, high-voltage outputs with CMOS logic. The CMOS input section consists of 4 or 8 data (D type) latches with associated common CLEAR, STROBE, and OUTPUT ENABLE circuitry. The power outputs are bipolar NPN Darlington. This merged technology provides versatile, flexible interface. These BiMOS power interface ICs greatly benefit the simplification of computer or microprocessor I/O. The A6800 ICs each contain four latched drivers. A6801 ICs contain eight latched drivers.

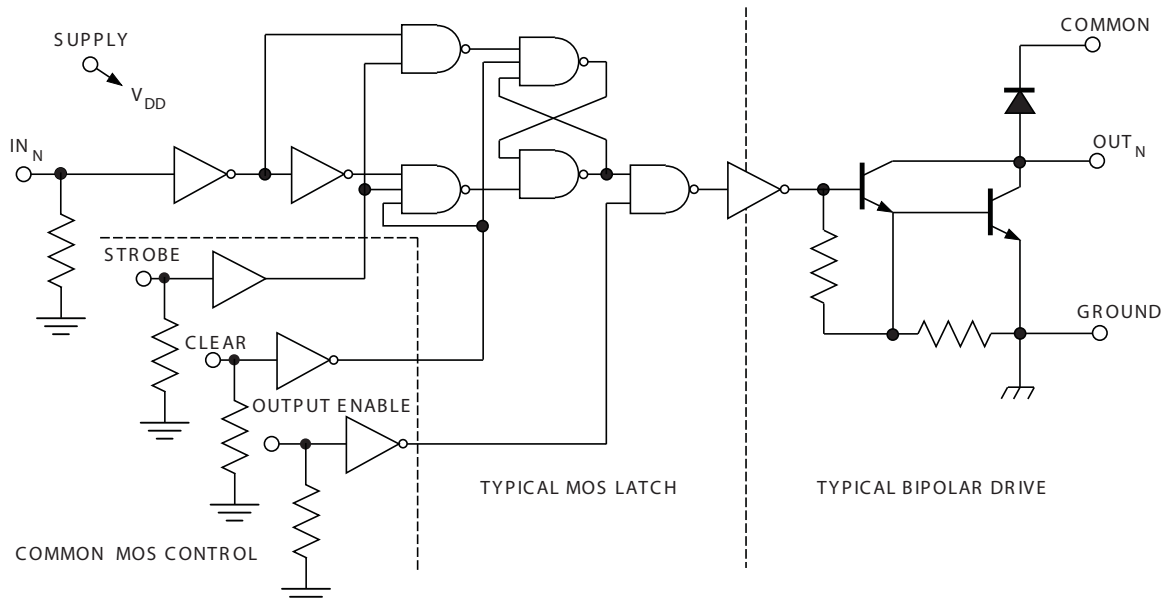
The CMOS inputs are compatible with standard CMOS circuits. TTL circuits may mandate the addition of input pull-up resistors. The bipolar Darlington outputs are suitable for directly driving many peripheral/power loads: relays, lamps, solenoids, small DC motors, and so forth.

All devices have open-collector outputs and integral diodes for inductive load transient suppression. The output transistors are capable of sinking 600 mA and can withstand at least 50 V in the off state. Because of limitations on package power dissipation, the simultaneous operation of all drivers at maximum rated current can only be accomplished by a reduction in duty cycle. Outputs may be paralleled for higher load current capability.

*Continued on the next page...*

*Approximate scale 1:1*

### Functional Block Diagram



# A6800 and A6801

## *DABiC-5 Latched Sink Drivers*

### Description (continued)

The A6800SL is furnished in a surface-mountable SOIC, and the A6801SEP in a 28-lead PLCC. These devices are lead (Pb) free, with 100% matte tin plated leadframes.

Applications include:

- Relays
- Lamps
- Solenoids
- Small DC motors

### Selection Guide

Part Number	Package	Packing
A6800SLTR-T	14-pin SOIC	2500 per reel
A6801SEPTR-T	28-pin PLCC	800 per reel

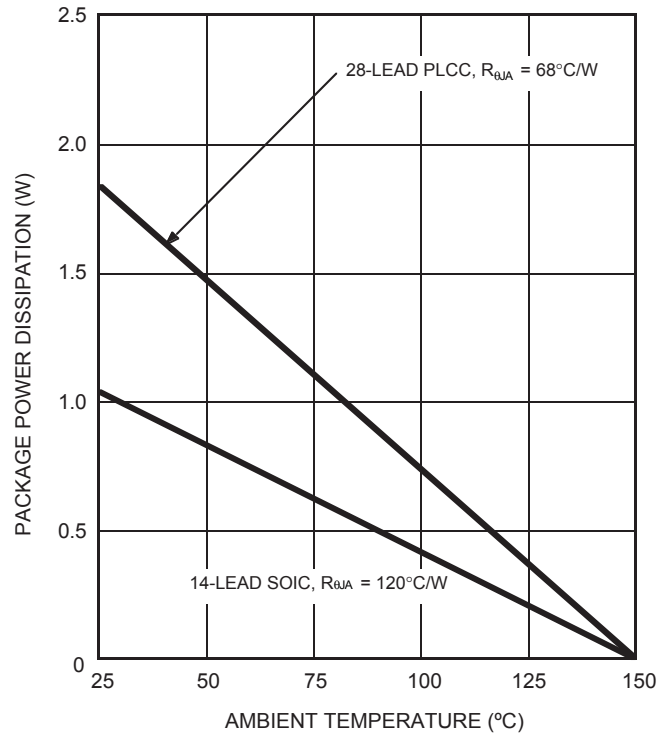
### Absolute Maximum Ratings\*

Characteristic	Symbol	Notes	Rating	Units
Output Voltage	$V_{CE}$		50	V
Supply Voltage	$V_{DD}$		7	V
Input Voltage Range	$V_{IN}$		-0.3 to $V_{DD} + 0.3$	V
Continuous Collector Current	$I_C$		600	mA
Operating Ambient Temperature	$T_A$	Range S	-20 to 85	°C
Maximum Junction Temperature	$T_J(\max)$		150	°C
Storage Temperature	$T_{stg}$		-55 to 150	°C

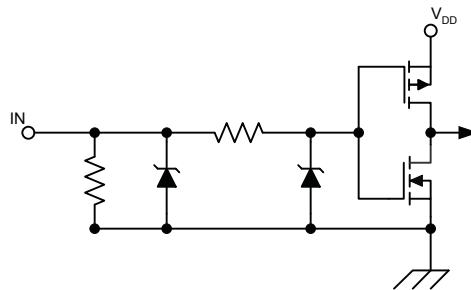
\*Caution: CMOS devices have input-static protection, but are susceptible to damage when exposed to extremely high static-electrical charges.



**Allowable Power Dissipation**



**Typical Input Circuit**



**ELECTRICAL CHARACTERISTICS<sup>1</sup>** Unless otherwise noted:  $T_A = 25^\circ\text{C}$ , logic supply operating voltage  $V_{DD} = 3.0$  to  $5.5\text{V}$

Characteristic	Symbol	Test Conditions	$V_{DD} = 3.3\text{V}$			$V_{DD} = 5\text{V}$			Units
			Min.	Typ.	Max.	Min.	Typ.	Max.	
Output Leakage Current	$I_{CEX}$	$V_{OUT} = 50\text{V}$	–	–	10	–	–	10	$\mu\text{A}$
Output Sustaining Voltage	$V_{CE(SUS)}$	$I_{OUT} = 350\text{mA}$ , $L = 3\text{mH}$	35	–	–	35	–	–	V
Collector-Emitter Saturation Voltage	$V_{CE(SAT)}$	$I_{OUT} = 100\text{mA}$	–	0.8	1.0	–	0.8	1.0	V
		$I_{OUT} = 200\text{mA}$	–	0.9	1.1	–	0.9	1.1	V
		$I_{OUT} = 350\text{mA}$ (See note 2)	–	1.0	1.3	–	1.0	1.3	V
Input Voltage	$V_{IN(1)}$		2.2	–	–	3.3	–	–	V
	$V_{IN(0)}$		–	–	1.1	–	–	1.7	V
Input Resistance	$R_{IN}$		50	–	–	50	–	–	$\text{k}\Omega$
Logic Supply Current	$I_{DD(1)}$	One output on, $I_{OUT} = 100\text{mA}$	–	–	1.0	–	–	1.0	$\text{mA}$
	$I_{DD(0)}$	All outputs off	–	130	150	–	130	150	$\mu\text{A}$
Clamp Diode Leakage Current	$I_r$	$V_r = 50\text{V}$	–	–	50	–	–	50	$\mu\text{A}$
Clamp Diode Forward Voltage	$V_f$	$I_f = 350\text{mA}$	–	–	2.0	–	–	2.0	V
Output Fall Time	$t_f$	$V_{CC} = 50\text{V}$ , $R_1 = 500\Omega$ , $C_1 \leq 30\text{pF}$	–	80	–	–	80	–	ns
Output Rise Time	$t_r$	$V_{CC} = 50\text{V}$ , $R_1 = 500\Omega$ , $C_1 \leq 30\text{pF}$	–	100	–	–	100	–	ns

<sup>1</sup>Operation of these devices with standard TTL or DTL may require the use of appropriate pull-up resistors to ensure a minimum logic 1.

<sup>2</sup>Because of limitations on package power dissipation, the simultaneous operation of multiple drivers can only be accomplished by reduction in duty cycle.

Truth Table

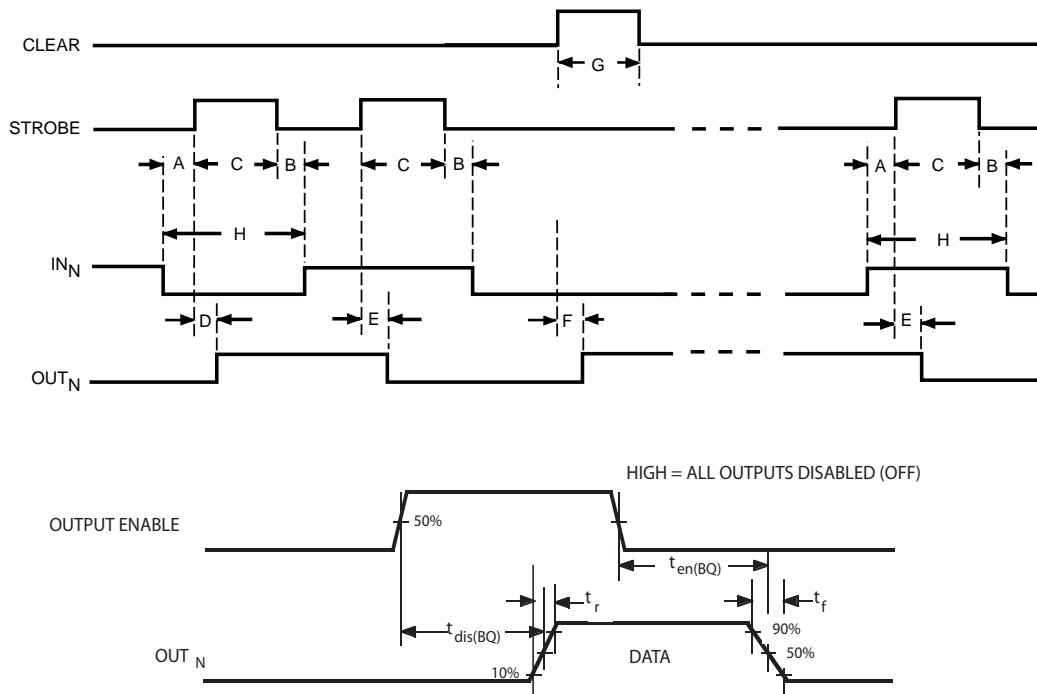
$IN_N$	STROBE	CLEAR	OUTPUT ENABLE	$OUT_N$	
				t-1	t
0	1	0	0	X	OFF
1	1	0	0	X	ON
X	X	1	X	X	OFF
X	X	X	1	X	OFF
X	0	0	0	ON	ON
X	0	0	0	OFF	OFF

X = irrelevant

t-1 = previous output state

t = present output state

**Timing Requirements and Specifications**  
(Logic Levels are  $V_{DD}$  and Ground)



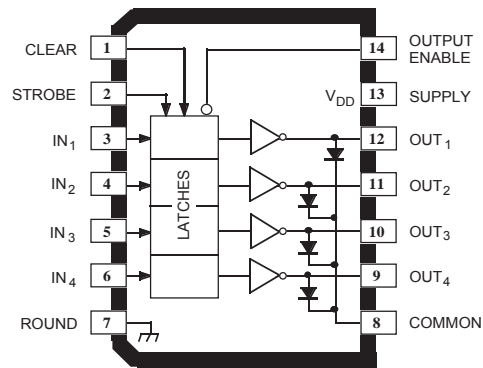
Key	Description	Time (ns)
A	Minimum data active time before Strobe enabled (Data Set-Up Time)	25
B	Minimum data active time after Strobe disabled (Data Hold Time)	25
C	Minimum Strobe pulse width	50
D	Maximum time between Strobe activation and transition from output on to output off*	500
E	Maximum time between Strobe activation and transition from output off to output on*	500
F	Maximum time between Clear activation and transition from output on to output off*	500
G	Minimum Clear pulse width	50
H	Minimum data pulse width	100
t <sub>dis(BQ)</sub>	Output Enable to output off delay*	500
t <sub>en(BQ)</sub>	Output Enable to output on delay*	500

\*Conditions for output transition testing are:  $V_{CC} = 5\text{ V}$ ,  $V_{DD} = 5\text{ V}$ ,  $R_1 = 500\ \Omega$ ,  $C_1 \leq 30\text{ pF}$ .

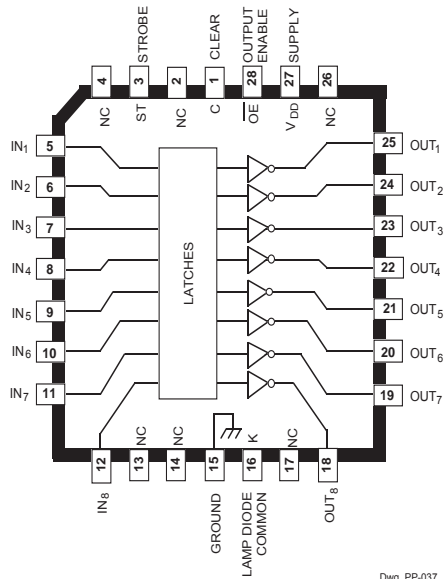
NOTE: Information present at an input is transferred to its latch when the STROBE is high. A high CLEAR input will set all latches to the output off condition regardless of the data or STROBE input levels. A high

OUTPUT ENABLE will set all outputs to the off condition, regardless of any other input conditions. When the OUTPUT ENABLE is low, the outputs depend on the state of their respective latches.

A6800 L Package

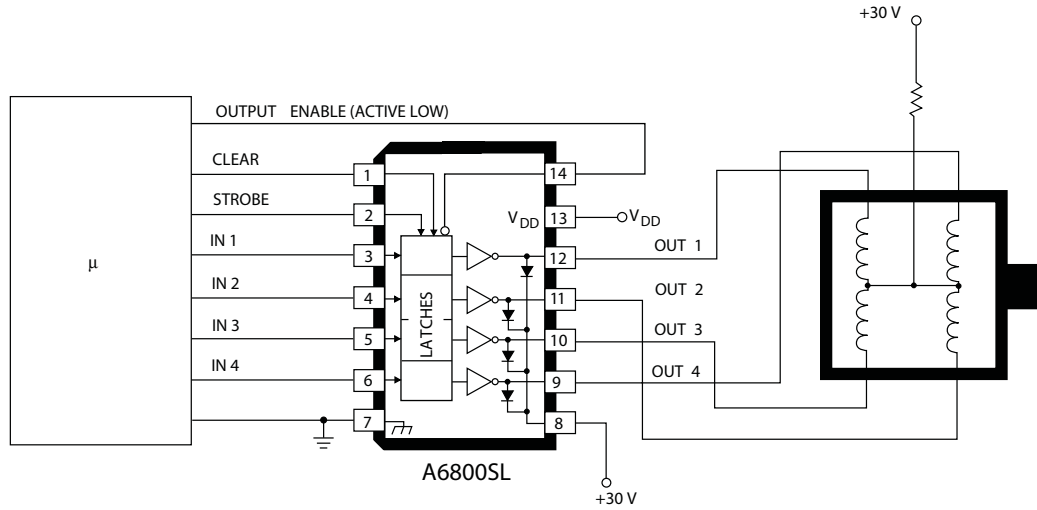


A6801 EP Package



Dwg. PP-037

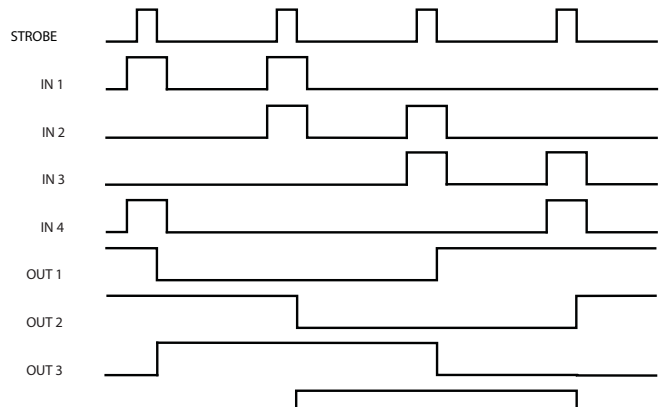
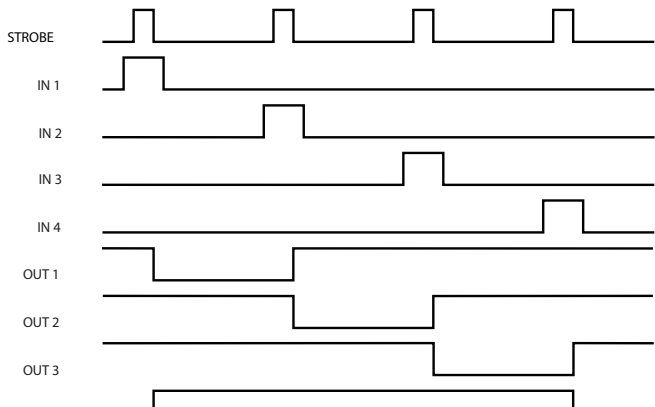
**TYPICAL APPLICATION  
UNIPOLAR STEPPER-MOTOR DRIVE**



Dwg. No. B-1537

**UNIPOLAR WAVE DRIVE**

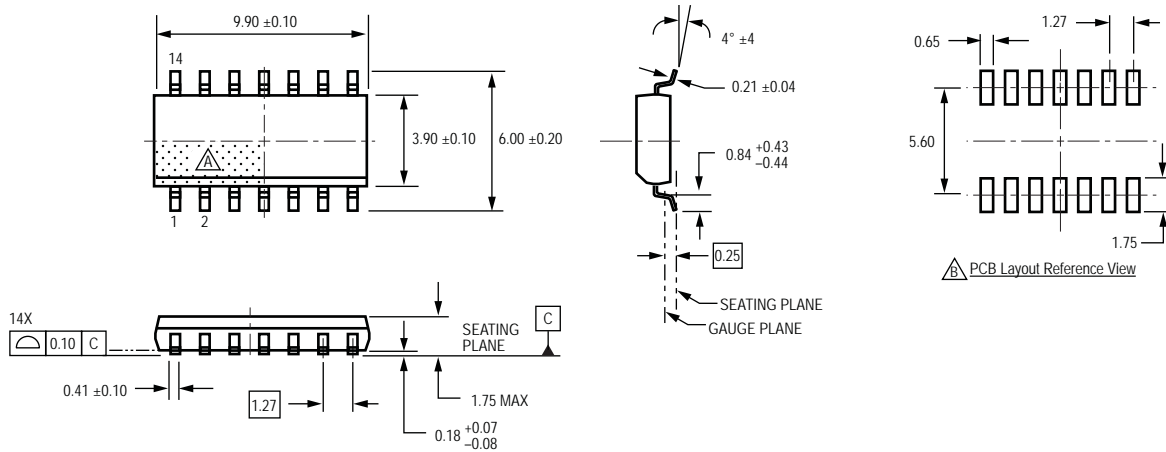
**UNIPOLAR 2-PHASE DRIVE**







**Package L (A6800) 14-pin SOICN**



For Reference Only  
 Dimensions in millimeters  
 (reference JEDEC MS-012 AB)  
 Dimensions exclusive of mold flash, gate burrs, and dambar protrusions  
 Exact case and lead configuration at supplier discretion within limits shown

△ Terminal #1 mark area  
 △ Reference pad layout (reference IPC SOIC127P600X175-14M)  
 All pads a minimum of 0.20 mm from all adjacent pads; adjust as necessary to meet application process requirements and PCB layout tolerances

Copyright ©2003-2010, Allegro MicroSystems, Inc.

The products described here are manufactured under one or more U.S. patents or U.S. patents pending.

Allegro MicroSystems, Inc. reserves the right to make, from time to time, such departures from the detail specifications as may be required to permit improvements in the performance, reliability, or manufacturability of its products. Before placing an order, the user is cautioned to verify that the information being relied upon is current.

Allegro's products are not to be used in life support devices or systems, if a failure of an Allegro product can reasonably be expected to cause the failure of that life support device or system, or to affect the safety or effectiveness of that device or system.

The information included herein is believed to be accurate and reliable. However, Allegro MicroSystems, Inc. assumes no responsibility for its use; nor for any infringement of patents or other rights of third parties which may result from its use.

For the latest version of this document, visit our website:

[www.allegromicro.com](http://www.allegromicro.com)



Allegro MicroSystems, Inc.  
 115 Northeast Cutoff  
 Worcester, Massachusetts 01615-0036 U.S.A.  
 1.508.853.5000; [www.allegromicro.com](http://www.allegromicro.com)