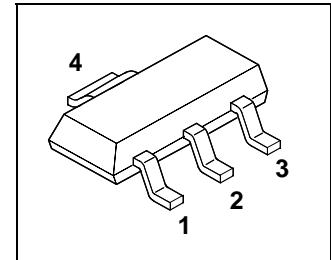


Smart Power High-Side-Switch for Industrial Applications

Features

- Short-circuit protection
- Input protection
- Overtemperature protection with hysteresis
- Overload protection
- Overvoltage protection
- Switching inductive load
- Clamp of negative output voltage with inductive loads
- Undervoltage shutdown
- Maximum current internally limited
- Electrostatic discharge (ESD) protection
- Reverse battery protection¹⁾



Package: PG-SOT 223

Type	Ordering code
ISP 452	SP000219823

Application

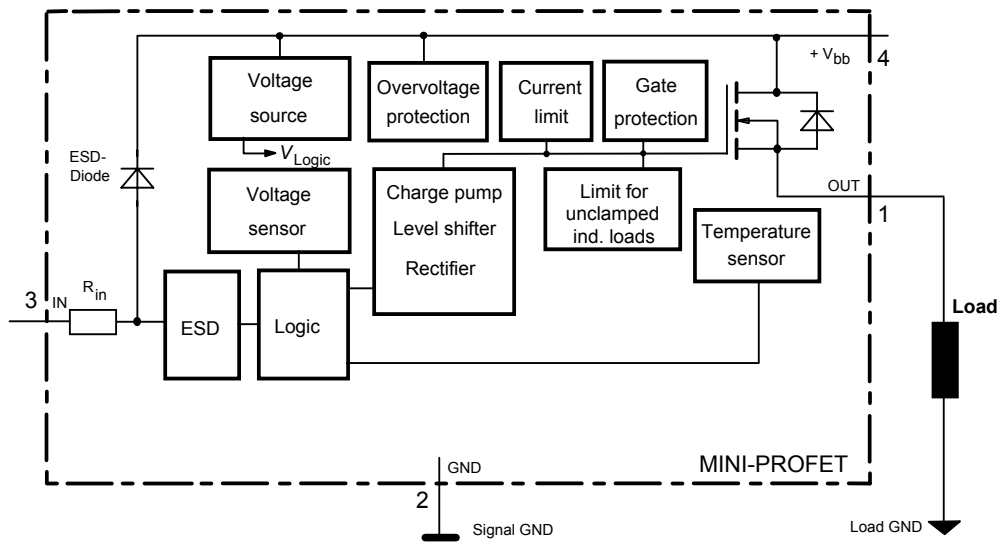
- μ C compatible power switch for 12 V DC grounded loads for industrial applications
- All types of resistive, inductive and capacitive loads
- Replaces electromechanical relays and discrete circuits

General Description

- N channel vertical power FET with charge pump, ground referenced CMOS compatible input, monolithically integrated in Smart SiPMOS® technology.
- Providing embedded protection functions.

¹⁾ With resistor $R_{GND}=150\ \Omega$ in GND connection, resistor in series with IN connections, reverse load current limited by connected load.

Block diagram



Pin	Symbol		Function
1	OUT	O	Protected high-side power output
2	GND	-	Logic ground
3	IN	I	Input, activates the power switch in case of logical high signal
4	Vbb	+	Positive power supply voltage

Maximum Ratings at $T_j = 25\text{ °C}$ unless otherwise specified

Parameter	Symbol	Values	Unit
Supply voltage	V_{bb}	40	V
Load current self-limited	I_L	$I_{L(SC)}$	A
Maximum input voltage ²⁾	V_{IN}	-5.0... V_{bb}	V
Maximum input current	I_{IN}	± 5	mA
Inductive load switch-off energy dissipation, single pulse $I_L = 0.5\text{A}$, $T_{j, start} = 150\text{°C}$ (not tested, specified by design)	E_{AS}	0.5	J
Load dump protection ³⁾ $V_{LoadDump} = U_A + V_S$ $R_l = 2\ \Omega$, $t_d = 400\text{ms}$, IN= low or high, $U_A = 13.5\text{ V}$ (not tested, specified by design) $R_L = 24\ \Omega$ $R_L = 80\ \Omega$	$V_{Load\ dump}^{4)}$	60 80	V
Electrostatic discharge capability (ESD) ⁵⁾ PIN 3 PIN 1,2,4	V_{ESD}	± 1 ± 2	kV
Junction Temperature	T_j	150	°C
Operating temperature range	T_a	-30 ... +85	
Storage temperature range	T_{stg}	-40 ... +105	
Max. power dissipation (DC) ⁶⁾ $T_A = 25\text{ °C}$	P_{tot}	1.8	W
Thermal resistance chip - soldering point:	R_{thJS}	7	K/W
chip - ambient: ⁶⁾	R_{thJA}	70	

²⁾ At $V_{IN} > V_{bb}$, the input current is not allowed to exceed $\pm 5\text{ mA}$.

³⁾ Supply voltages higher than $V_{bb(AZ)}$ require an external current limit for the GND pin, e.g. with a $150\ \Omega$ resistor in the GND connection. A resistor for the protection of the input is integrated.

⁴⁾ $V_{Load\ dump}$ is setup without the DUT connected to the generator per ISO 7637-1 and DIN 40839

⁵⁾ HBM according to MIL-STD 883D, Methode 3015.7

⁶⁾ Device on epoxy pcb 40 mm x 40 mm x 1.5 mm with 6 cm^2 copper area for V_{bb} connection



Electrical Characteristics

Parameter and Conditions at $T_j = 25^\circ\text{C}$, $V_{bb} = 13.5\text{V}$ unless otherwise specified	Symbol	Values			Unit
		min	typ	max	

Load Switching Capabilities and Characteristics

On-state resistance (pin 4 to 1) $I_L = 0.5\text{ A}$, $V_{in} = \text{high}$	$T_j = 25^\circ\text{C}$ $T_j = 150^\circ\text{C}$	R_{ON}	-- --	0.16 --	0.2 0.4	Ω
Nominal load current (pin 4 to 1) ⁷⁾ ISO Standard: $V_{ON} = V_{bb} - V_{OUT} = 0.5\text{ V}$ $T_S = 85^\circ\text{C}$		$I_{L(ISO)}$	0.7	--	--	A
Turn-on time Turn-off time $R_L = 24\ \Omega$	to 90% V_{OUT} to 10% V_{OUT}	t_{on} t_{off}	-- --	60 60	100 150	μs
Slew rate on 10 to 30% V_{OUT} , $R_L = 24\ \Omega$		dV/dt_{on}	--	2	4	$\text{V}/\mu\text{s}$
Slew rate off 70 to 40% V_{OUT} , $R_L = 24\ \Omega$		$-dV/dt_{off}$	--	2	4	$\text{V}/\mu\text{s}$

Input

Allowable input voltage range, (pin 3 to 2)		V_{IN}	-3.0	--	V_{bb}	V
Input turn-on threshold voltage  $T_j = -40\dots+150^\circ\text{C}$		$V_{IN(T+)}$	--	--	3.5	V
Input turn-off threshold voltage  $T_j = -40\dots+150^\circ\text{C}$		$V_{IN(T-)}$	1.5	--	--	V
Input threshold hysteresis		$\Delta V_{IN(T)}$	--	0.5	--	V
Off state input current (pin 3) $V_{IN(off)} = 1.2\text{ V}$ $T_j = -40\dots+150^\circ\text{C}$		$I_{IN(off)}$	10	--	60	μA
On state input current (pin 3) $V_{IN(on)} = 3.0\text{ V to } V_{bb}$ $T_j = -40\dots+150^\circ\text{C}$		$I_{IN(on)}$	10	--	100	μA
Input resistance		R_{IN}	1.5	2.8	3.5	$\text{k}\Omega$

⁷⁾ $I_{L(ISO)}$ is limited by current limitation, see $I_{L(SC)}$

Parameter and Conditions at $T_j = 25\text{ °C}$, $V_{bb} = 13.5\text{V}$ unless otherwise specified	Symbol	Values			Unit	
		min	typ	max		
Operating Parameters						
Operating voltage ⁸⁾	$T_j = -40\dots+150\text{ °C}$	$V_{bb(\text{on})}$	5.0	--	34	V
Undervoltage shutdown	$T_j = -40\dots+150\text{ °C}$	$V_{bb(\text{under})}$	3.5	--	5	V
Undervoltage restart	$T_j = -40\dots+25\text{ °C}$ $T_j = +150\text{ °C}$	$V_{bb(\text{u rst})}$	--	--	6.5 7.0	V
Undervoltage restart of charge pumpe see diagram page 9		$V_{bb(\text{ucp})}$	--	5.6	7	V
Undervoltage hysteresis $\Delta V_{bb(\text{under})} = V_{bb(\text{u rst})} - V_{bb(\text{under})}$		$\Delta V_{bb(\text{under})}$	--	0.3	--	V
Overvoltage shutdown	$T_j = -40\dots+150\text{ °C}$	$V_{bb(\text{over})}$	34	--	42	V
Overvoltage restart	$T_j = -40\dots+150\text{ °C}$	$V_{bb(\text{o rst})}$	33	--	--	V
Overvoltage hysteresis	$T_j = -40\dots+150\text{ °C}$	$\Delta V_{bb(\text{over})}$	--	0.7	--	V
Standby current (pin 4), $V_{in} = \text{low}$	$T_j = -40\dots+150\text{ °C}$	$I_{bb(\text{off})}$	--	10	25	μA
Operating current (pin 2), $V_{in} = 5\text{ V}$		I_{GND}	--	1	1.6	mA
Leakage current (pin 1) $V_{in} = \text{low}$	$T_j = -40\dots+25\text{ °C}$ $T_j = 150\text{ °C}$	$I_{L(\text{off})}$	--	2	5 7	μA

⁸⁾ At supply voltage increase up to $V_{bb} = 5.6\text{ V}$ typ without charge pump, $V_{\text{OUT}} \approx V_{bb} - 2\text{ V}$

Parameter and Conditions at $T_j = 25\text{ °C}$, $V_{bb} = 13.5\text{V}$ unless otherwise specified	Symbol	Values			Unit
		min	typ	max	
Protection Functions					
Current limit (pin 4 to 1) $V_{bb} = 20\text{V}$	$I_{L(SC)}$	0.7	1.5	2	A
		0.7	--	2.4	
Overvoltage protection $I_{bb}=4\text{mA}$	$V_{bb(AZ)}$	41	--	--	V
Output clamp (ind. load switch off) at $V_{OUT}=V_{bb}-V_{ON(CL)}$, $I_{bb} = 4\text{mA}$	$V_{ON(CL)}$	41	47	--	V
Thermal overload trip temperature	T_{jt}	150	--	--	°C
Thermal hysteresis	ΔT_{jt}	--	10	--	K
Inductive load switch-off energy dissipation ⁹⁾ $T_{j, start} = 150\text{ °C}$, single pulse, $I_L = 0.5\text{ A}$, $V_{bb} = 12\text{ V}$ (not tested, specified by design)	E_{AS}	--	--	0.5	J
Reverse battery (pin 4 to 2) ¹⁰⁾ (not tested, specified by design)	$-V_{bb}$	--	--	30	V

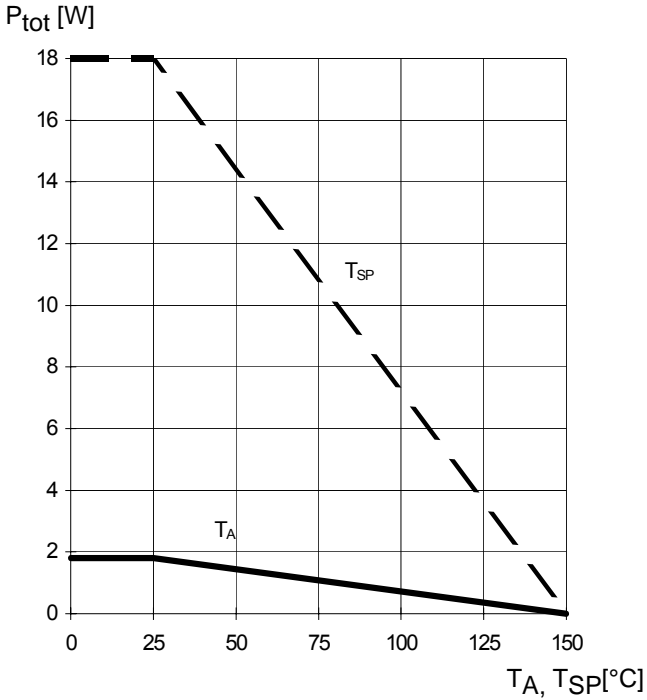
⁹⁾ While demagnetizing load inductance, dissipated energy in PROFET is $E_{AS} = \int V_{ON(CL)} * i_L(t) dt$, approx.

$$E_{AS} = \frac{1}{2} * L * I_L^2 * \left(\frac{V_{ON(CL)}}{V_{ON(CL)} - V_{bb}} \right)$$

¹⁰⁾ Requires 150 Ω resistor in GND connection. Reverse load current (through intrinsic drain-source diode) has to be limited by the connected load.

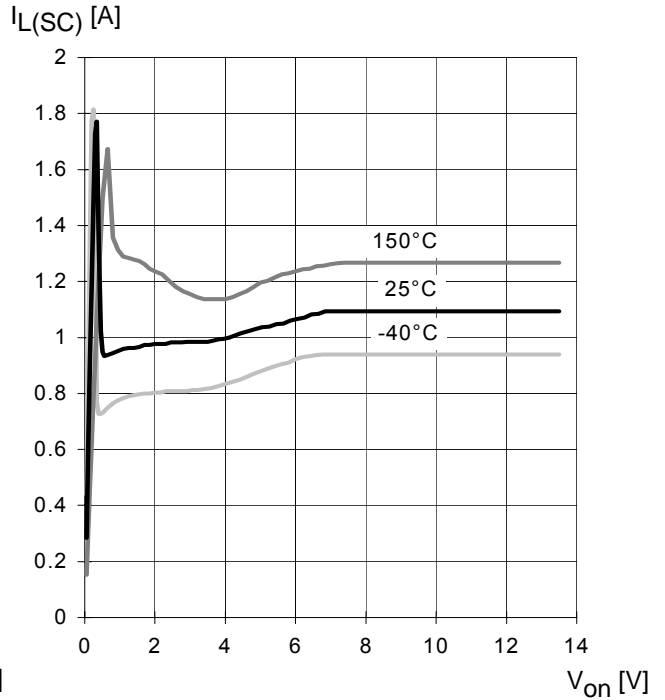
Max. allowable power dissipation

$P_{tot} = f(T_A, T_{SP})$



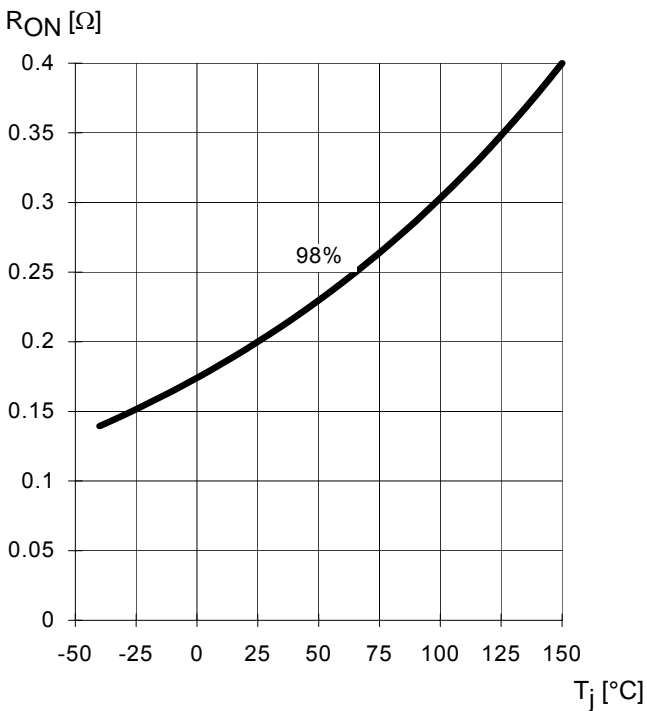
Current limit characteristic

$I_{L(SC)} = f(V_{on}); (V_{on} \text{ see terms schematic below})$



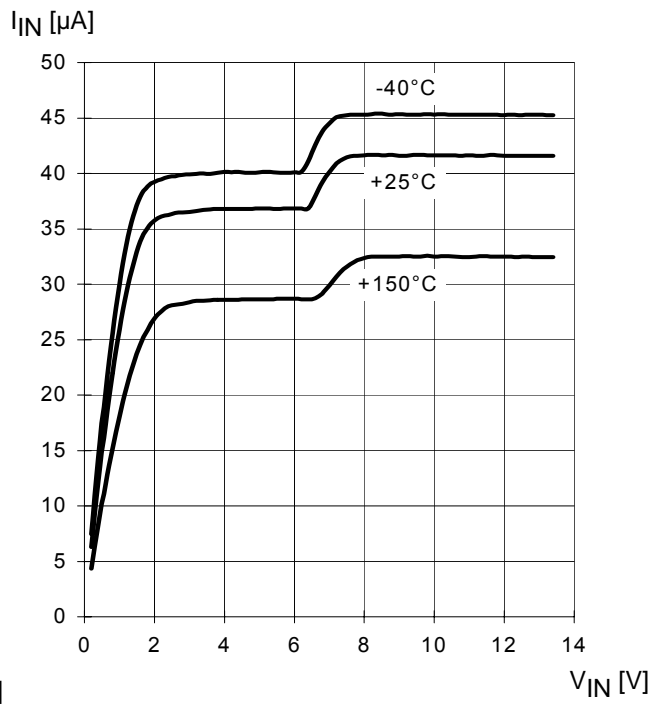
On state resistance (Vbb-pin to OUT-pin)

$R_{ON} = f(T_j); V_{bb} = 13.5 \text{ V}; I_L = 0.5 \text{ A}$



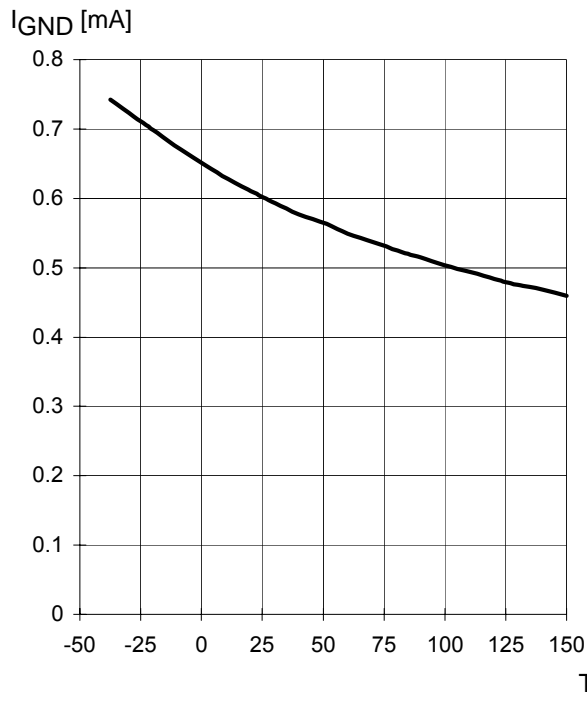
Typ. input current

$I_{IN} = f(V_{IN}); V_{bb} = 13.5 \text{ V}$



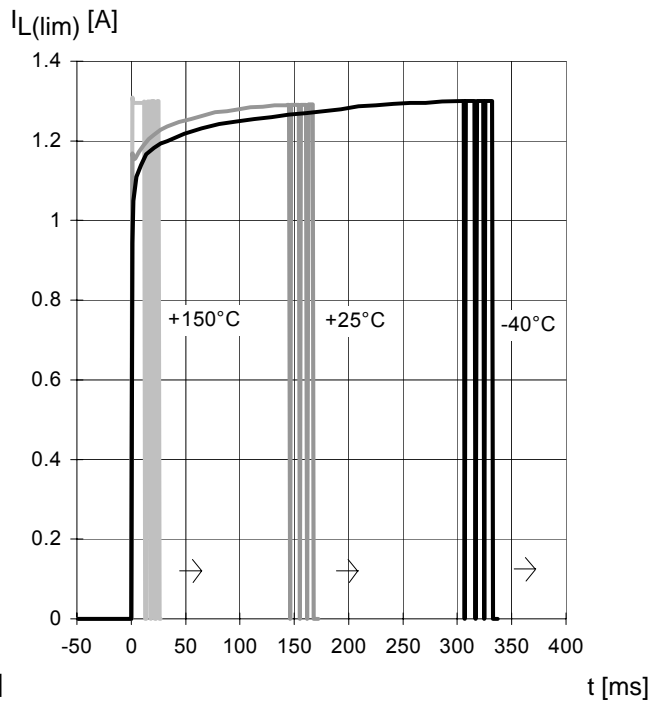
Typ. operating current

$I_{GND} = f(T_j)$; $V_{bb} = 13.5\text{ V}$; $V_{IN} = \text{high}$



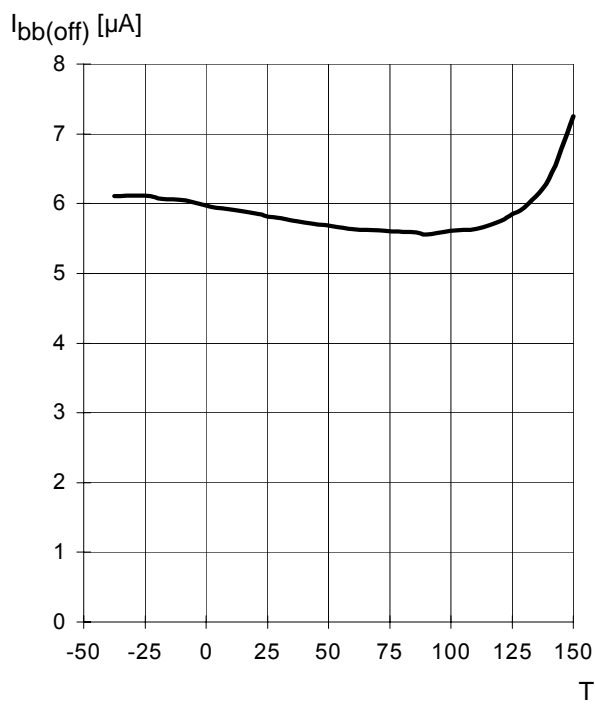
Typ. overload current

$I_{L(lim)} = f(t)$; $V_{bb} = 13.5\text{ V}$, no heatsink, Param.: T_{jstart}



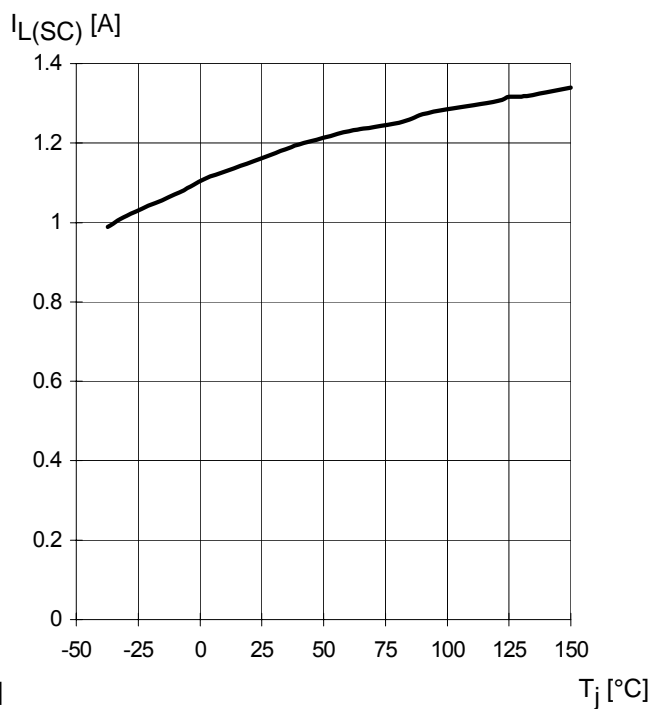
Typ. standby current

$I_{bb(off)} = f(T_j)$; $V_{bb} = 13.5\text{ V}$; $V_{IN} = \text{low}$



Short circuit current

$I_{L(SC)} = f(T_j)$; $V_{bb} = 13.5\text{ V}$



Typ. input turn on voltage threshold

$$V_{IN(T+)} = f(T_j);$$

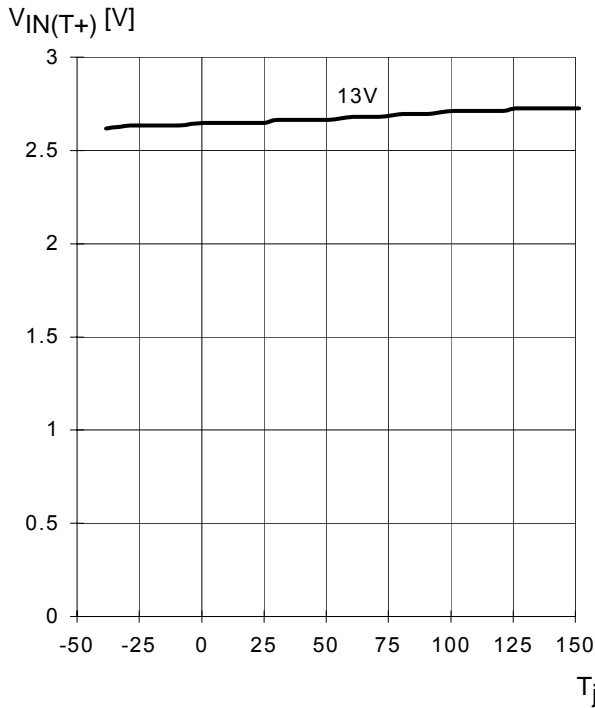
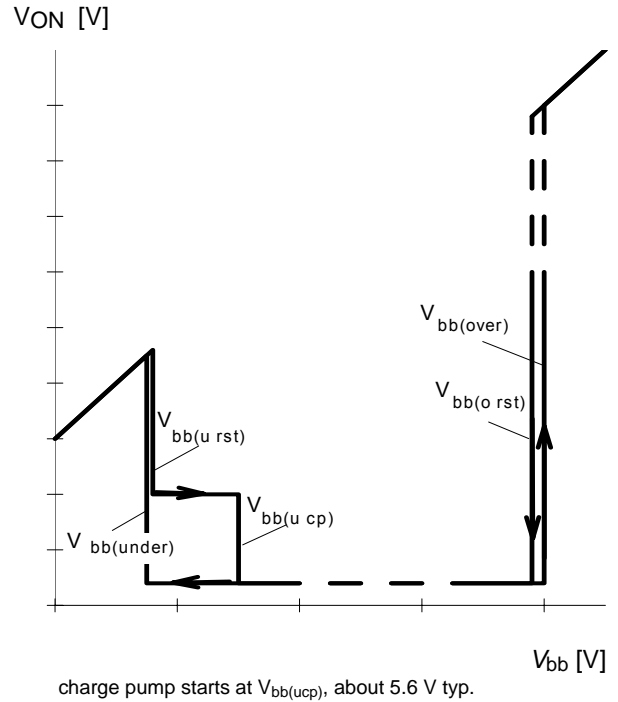
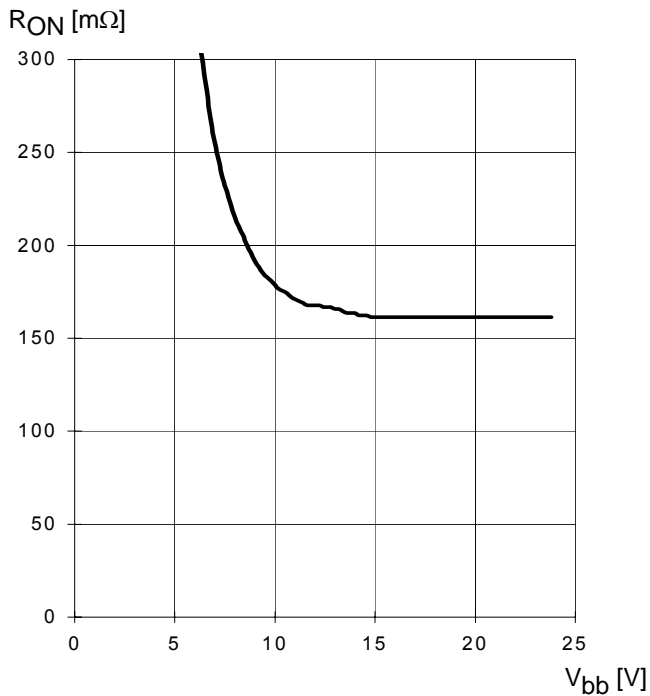


Figure 6: Undervoltage restart of charge pump

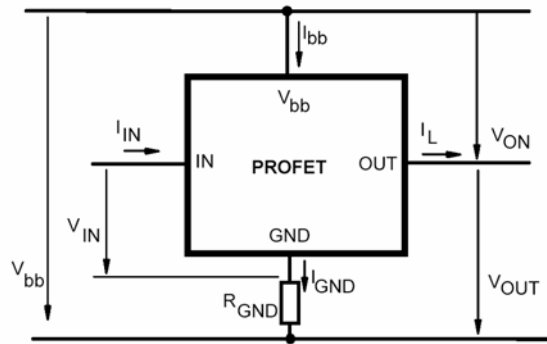


Typ. on-state resistance (Vbb-Pin to Out-Pin)

$$R_{ON} = f(V_{bb}, I_L); I_L=0.5A, T_j = 25^{\circ}C$$



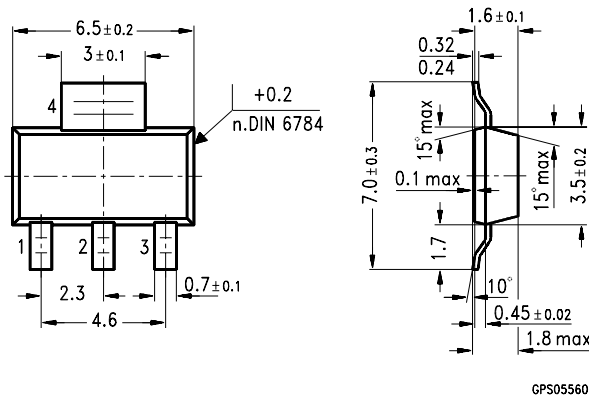
Terms



Package:

all dimensions in mm.

PG-SOT 223:



Published by
Infineon Technologies AG,
St.-Martin-Strasse 53,
D-81541 München, Germany
© Infineon Technologies AG 2001
All Rights Reserved.

Attention please!

The information herein is given to describe certain components and shall not be considered as a guarantee of characteristics.

Terms of delivery and rights to technical change reserved.

We hereby disclaim any and all warranties, including but not limited to warranties of non-infringement, regarding circuits, descriptions and charts stated herein.

Infineon Technologies is an approved CECC manufacturer.

Information

For further information on technology, delivery terms and conditions and prices please contact your nearest Infineon Technologies Office in Germany or our Infineon Technologies Representatives worldwide (see address list).

Warnings

Due to technical requirements components may contain dangerous substances. For information on the types in question please contact your nearest Infineon Technologies Office.

Infineon Technologies Components may only be used in life-support devices or systems with the express written approval of Infineon Technologies, if a failure of such components can reasonably be expected to cause the failure of that life-support device or system, or to affect the safety or effectiveness of that device or system. Life support devices or systems are intended to be implanted in the human body, or to support and/or maintain and sustain and/or protect human life. If they fail, it is reasonable to assume that the health of the user or other persons may be endangered.