



# VND5E050AJ-E VND5E050AK-E

## Double channel high side driver with analog current sense for automotive applications

### Features

|                                   |            |                          |
|-----------------------------------|------------|--------------------------|
| Max transient supply voltage      | $V_{CC}$   | 41 V                     |
| Operating voltage range           | $V_{CC}$   | 4.5 to 28 V              |
| Max On-state resistance (per ch.) | $R_{ON}$   | 50 m $\Omega$            |
| Current limitation (typ)          | $I_{LIMH}$ | 27 A                     |
| Off-state supply current          | $I_S$      | 2 $\mu$ A <sup>(1)</sup> |

1. Typical value with all loads connected.

#### ■ General

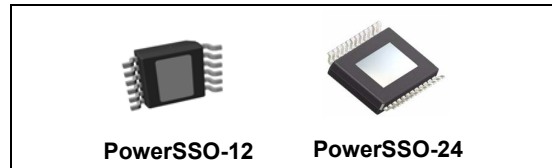
- Inrush current active management by power limitation
- Very low standby current
- 3.0 V CMOS compatible inputs
- Optimized electromagnetic emissions
- Very low electromagnetic susceptibility
- In compliance with the 2002/95/EC european directive
- Very low current sense leakage

#### ■ Diagnostic functions

- Proportional load current sense
- High current sense precision for wide currents range
- Current sense disable
- Off-state open load detection
- Output short to  $V_{CC}$  detection
- Overload and short to ground (power limitation) indication
- Thermal shutdown indication

#### ■ Protections

- Undervoltage shutdown
- Overvoltage clamp
- Load current limitation
- Self limiting of fast thermal transients
- Protection against loss of ground and loss of  $V_{CC}$
- Over temperature shutdown with auto restart (thermal shutdown)



- Reverse battery protected (see [Figure 32](#))
- Electrostatic discharge protection

### Applications

- All types of resistive, inductive and capacitive loads
- Suitable as LED driver

### Description

The VND5E050AJ-E and VND5E050AK-E are double channel high-side drivers manufactured in the ST proprietary VIPower M0-5 technology and housed in the tiny PowerSSO-12 and PowerSSO-24 packages. The VND5E050AJ-E and VND5E050AK-E are designed to drive 12V automotive grounded loads delivering protection, diagnostics and easy 3V and 5V CMOS compatible interface with any microcontroller.

The devices integrate advanced protective functions such as load current limitation, inrush and overload active management by power limitation, over-temperature shut-off with auto-restart and over-voltage active clamp. A dedicated analog current sense pin is associated with every output channel in order to provide *Enhanced* diagnostic functions including fast detection of overload and short-circuit to ground through power limitation indication, over-temperature indication, short-circuit to  $V_{CC}$  diagnosis and on & off state open load detection.

The current sensing and diagnostic feedback of the whole device can be disabled by pulling the CS\_DIS pin high to allow sharing of the external sense resistor with other similar devices.

# Contents

|          |   |           |
|----------|---|-----------|
| <b>1</b> | <b>Block diagram and pin description</b>            | <b>6</b>  |
| <b>2</b> | <b>Electrical specifications</b>                    | <b>8</b>  |
| 2.1      | Absolute maximum ratings                            | 8         |
| 2.2      | Thermal data  | 9         |
| 2.3      | Electrical characteristics                          | 9         |
| 2.4      | Waveforms   | 19        |
| 2.5      | Electrical characteristics curves                   | 22        |
| <b>3</b> | <b>Application information</b>                      | <b>25</b> |
| 3.1      | GND protection network against reverse battery      | 25        |
| 3.1.1    | Solution 1: resistor in the ground line (RGND only) | 25        |
| 3.1.2    | Solution 2: diode (DGND) in the ground line         | 26        |
| 3.2      | Load dump protection                                | 26        |
| 3.3      | MCU I/Os protection                                 | 26        |
| 3.4      | Current sense and diagnostic                        | 26        |
| 3.4.1    | Short to VCC and off-state open load detection      | 27        |
| 3.5      | Maximum demagnetization energy (VCC = 13.5V)        | 29        |
| <b>4</b> | <b>Package and PCB thermal data</b>                 | <b>30</b> |
| 4.1      | PowerSSO-12 thermal data                            | 30        |
| 4.2      | PowerSSO-24 thermal data                            | 32        |
| <b>5</b> | <b>Package and packing information</b>              | <b>36</b> |
| 5.1      | ECOPACK®  | 36        |
| 5.2      | PowerSSO-12 package information                     | 36        |
| 5.3      | PowerSSO-24 package information                     | 38        |
| 5.4      | PowerSSO-12 packing information                     | 40        |
| 5.5      | PowerSSO-24 packing information                     | 41        |
| <b>6</b> | <b>Order codes</b>                                  | <b>42</b> |
| <b>7</b> | <b>Revision history</b>                             | <b>43</b> |

## List of tables

|           |   |    |
|-----------|---|----|
| Table 1.  | Pin function . . . . .  | 6  |
| Table 2.  | Suggested connections for unused and not connected pins . . . . . | 7  |
| Table 3.  | Absolute maximum ratings . . . . .                                | 8  |
| Table 4.  | Thermal data . . . . .  | 9  |
| Table 5.  | Power section . . . . .   | 9  |
| Table 6.  | Switching ( $V_{CC} = 13V$ ; $T_j = 25^{\circ}C$ ) . . . . .      | 10 |
| Table 7.  | Logic inputs . . . . .  | 10 |
| Table 8.  | Protections and diagnostics . . . . .                             | 11 |
| Table 9.  | Current sense ( $8V < V_{CC} < 18V$ ) . . . . .                   | 11 |
| Table 10. | Open load detection ( $8V < V_{CC} < 18V$ ) . . . . .             | 13 |
| Table 11. | Truth table . . . . .   | 17 |
| Table 12. | Electrical transient requirements (part 1) . . . . .              | 18 |
| Table 13. | Electrical transient requirements (part 2) . . . . .              | 18 |
| Table 14. | Electrical transient requirements (part 3) . . . . .              | 18 |
| Table 15. | Thermal parameters . . . . .                                      | 32 |
| Table 16. | Thermal parameters . . . . .                                      | 35 |
| Table 17. | PowerSSO-12 mechanical data . . . . .                             | 37 |
| Table 18. | PowerSSO-24 mechanical data . . . . .                             | 39 |
| Table 19. | Device summary . . . . .  | 42 |
| Table 20. | Document revision history . . . . .                               | 43 |

## List of figures

|            |  |    |
|------------|--|----|
| Figure 1.  | Block diagram . . . . .  | 6  |
| Figure 2.  | Configuration diagram (top view) . . . . .   | 7  |
| Figure 3.  | Current and voltage conventions . . . . .  | 8  |
| Figure 4.  | Current sense delay characteristics . . . . .  | 13 |
| Figure 5.  | Open load off-state delay timing . . . . .   | 14 |
| Figure 6.  | Switching characteristics . . . . .  | 14 |
| Figure 7.  | Delay response time between rising edge of output current and rising edge of current sense (CS enabled). . . . . | 15 |
| Figure 8.  | Output voltage drop limitation . . . . .   | 15 |
| Figure 9.  | $I_{OUT}/I_{SENSE}$ vs $I_{OUT}$ . . . . .   | 16 |
| Figure 10. | Maximum current sense ratio drift vs load current . . . . .  | 16 |
| Figure 11. | Normal operation . . . . .   | 19 |
| Figure 12. | Overload or short to GND . . . . .   | 19 |
| Figure 13. | Intermittent overload . . . . .  | 20 |
| Figure 14. | Off-state open load with external circuitry . . . . .  | 20 |
| Figure 15. | Short to $V_{CC}$ . . . . .  | 21 |
| Figure 16. | $T_J$ evolution in overload or short to GND . . . . .  | 21 |
| Figure 17. | Off-state output current . . . . .   | 22 |
| Figure 18. | High level input current . . . . .   | 22 |
| Figure 19. | Input clamp voltage . . . . .  | 22 |
| Figure 20. | Input low level . . . . .  | 22 |
| Figure 21. | Input high level . . . . .   | 22 |
| Figure 22. | Input hysteresis voltage . . . . .   | 22 |
| Figure 23. | On-state resistance vs $T_{case}$ . . . . .  | 23 |
| Figure 24. | On-state resistance vs $V_{CC}$ . . . . .  | 23 |
| Figure 25. | Undervoltage shutdown . . . . .  | 23 |
| Figure 26. | Turn-on voltage slope . . . . .  | 23 |
| Figure 27. | $I_{LIMH}$ vs $T_{case}$ . . . . .   | 23 |
| Figure 28. | Turn-off voltage slope . . . . .   | 23 |
| Figure 29. | CS_DIS high level voltage . . . . .  | 24 |
| Figure 30. | CS_DIS clamp voltage . . . . .   | 24 |
| Figure 31. | CS_DIS low level voltage . . . . .   | 24 |
| Figure 32. | Application schematic . . . . .  | 25 |
| Figure 33. | Current sense and diagnostic . . . . .   | 27 |
| Figure 34. | Maximum turn-off current versus inductance (for each channel) . . . . .  | 29 |
| Figure 35. | PowerSSO-12 PC board . . . . .   | 30 |
| Figure 36. | $R_{thj-amb}$ Vs. PCB copper area in open box free air condition (one channel ON) . . . . .                      | 30 |
| Figure 37. | PowerSSO-12 thermal impedance junction ambient single pulse (one channel ON). . . . .                            | 31 |
| Figure 38. | Thermal fitting model of a double channel HSD in PowerSSO-12 . . . . .   | 31 |
| Figure 39. | PowerSSO-24 PC board . . . . .   | 32 |
| Figure 40. | $R_{thj-amb}$ vs PCB copper area in open box free air condition (one channel ON) . . . . .                       | 33 |
| Figure 41. | PowerSSO-24 thermal impedance junction ambient single pulse (one channel ON). . . . .                            | 34 |
| Figure 42. | Thermal fitting model of a double channel HSD in PowerSSO-24 . . . . .   | 34 |
| Figure 43. | PowerSSO-12 package dimensions . . . . .   | 36 |
| Figure 44. | PowerSSO-24 package dimensions . . . . .   | 38 |
| Figure 45. | PowerSSO-12 tube shipment (no suffix) . . . . .  | 40 |
| Figure 46. | PowerSSO-12 tape and reel shipment (suffix "TR") . . . . .   | 40 |
| Figure 47. | PowerSSO-24 tube shipment (no suffix) . . . . .  | 41 |

Figure 48. PowerSSO-24 tape and reel shipment (suffix "TR") . . . . . 41

# 1 Block diagram and pin description

Figure 1. Block diagram

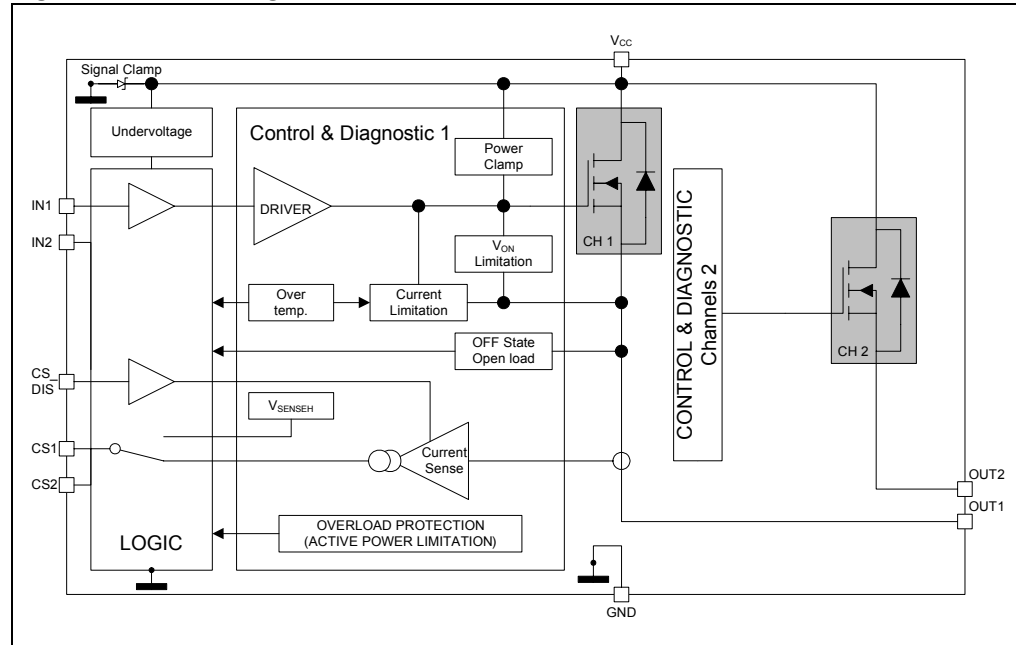


Table 1. Pin function

| Name                         | Function   |
|------------------------------|--|
| V <sub>CC</sub>              | Battery connection.  |
| OUTPUT <sub>1,2</sub>        | Power output.  |
| GND                          | Ground connection. Must be reverse battery protected by an external diode/resistor network.  |
| INPUT <sub>1,2</sub>         | Voltage controlled input pin with hysteresis, CMOS compatible. Controls output switch state. |
| CURRENT SENSE <sub>1,2</sub> | Analog current sense pin, delivers a current proportional to the load current.               |
| CS_DIS                       | Active high CMOS compatible pin, to disable the current sense pin.                           |

Figure 2. Configuration diagram (top view)

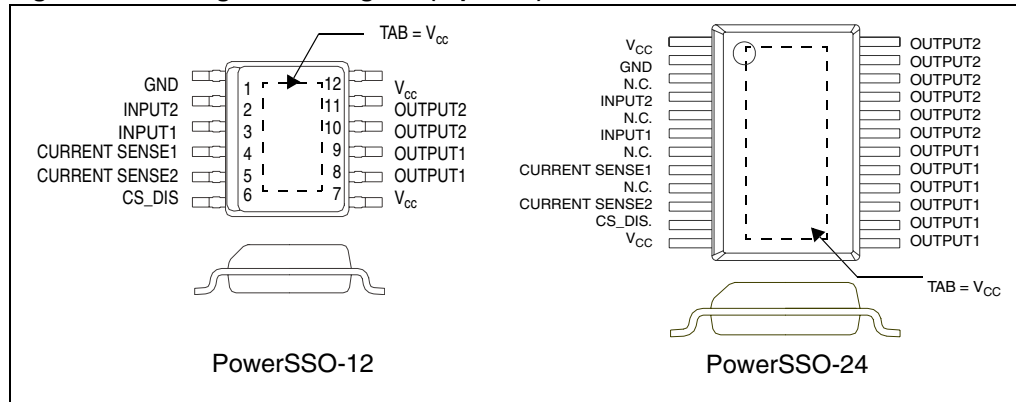
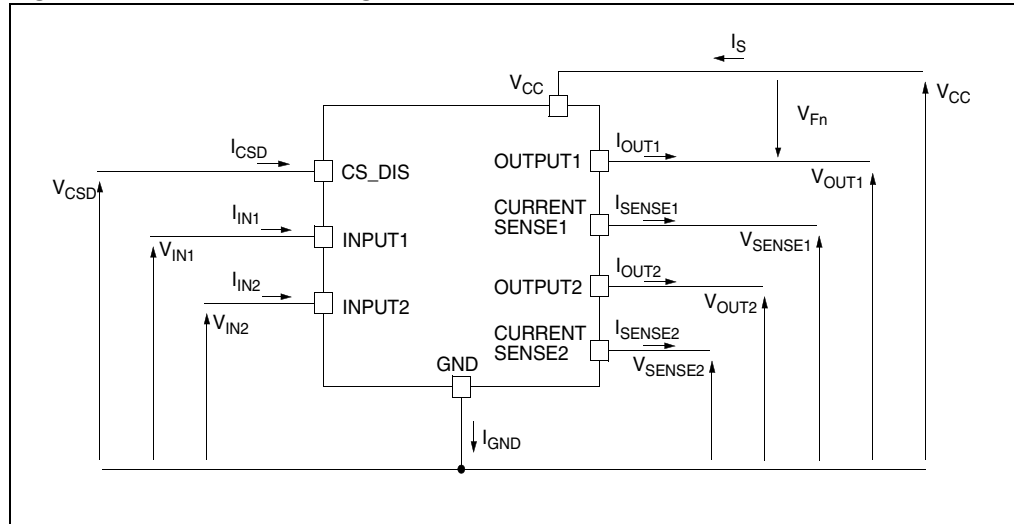


Table 2. Suggested connections for unused and not connected pins

| Connection / pin | Current sense         | N.C. | Output                 | Input                  | CS_DIS                 |
|------------------|-----------------------|------|------------------------|------------------------|------------------------|
| Floating         | Not allowed           | X    | X                      | X                      | X                      |
| To ground        | Through 1 KΩ resistor | X    | Through 22 KΩ resistor | Through 10 KΩ resistor | Through 10 KΩ resistor |

## 2 Electrical specifications

Figure 3. Current and voltage conventions



Note:  $V_{Fn} = V_{OUTn} - V_{CC}$  during reverse battery condition.

### 2.1 Absolute maximum ratings

Stressing the device above the rating listed in the “Absolute maximum ratings” table may cause permanent damage to the device. These are stress ratings only and operation of the device at these or any other conditions above those indicated in the Operating sections of this specification is not implied. Exposure to the conditions in table below for extended periods may affect device reliability. Refer also to the STMicroelectronics SURE Program and other relevant quality document.

Table 3. Absolute maximum ratings

| Symbol        | Parameter                              | Value                      | Unit |
|---------------|--|----------------------------|------|
| $V_{CC}$      | DC supply voltage                      | 41                         | V    |
| $-V_{CC}$     | Reverse DC supply voltage              | 0.3                        | V    |
| $-I_{GND}$    | DC reverse ground pin current          | 200                        | mA   |
| $I_{OUT}$     | DC output current                      | Internally limited         | A    |
| $-I_{OUT}$    | Reverse DC output current              | 20                         | A    |
| $I_{IN}$      | DC input current                       | -1 to 10                   | mA   |
| $I_{CSD}$     | DC current sense disable input current | -1 to 10                   | mA   |
| $-I_{CSENSE}$ | DC reverse CS pin current              | 200                        | mA   |
| $V_{CSENSE}$  | Current sense maximum voltage          | $V_{CC} - 41$ to $+V_{CC}$ | V    |



**Table 3. Absolute maximum ratings (continued)**

| Symbol    | Parameter  | Value       | Unit             |
|-----------|--|-------------|------------------|
| $E_{MAX}$ | Maximum switching energy (single pulse)<br>( $L=3\text{mH}$ ; $R_L=0\Omega$ ; $V_{bat}=13.5\text{V}$ ; $T_{jstart}=150^\circ\text{C}$ ; $I_{OUT} = I_{limL}(Typ.)$ ) | 104         | mJ               |
| $V_{ESD}$ | Electrostatic discharge<br>(human body model: $R=1.5\text{K}\Omega$ ; $C=100\text{pF}$ )   |             |                  |
|           | – Input  | 4000        | V                |
|           | – Current sense  | 2000        | V                |
|           | – CS_DIS   | 4000        | V                |
|           | – Output   | 5000        | V                |
|           | – $V_{CC}$   | 5000        | V                |
| $V_{ESD}$ | Charge device model (CDM-AEC-Q100-011)   | 750         | V                |
| $T_j$     | Junction operating temperature   | - 40 to 150 | $^\circ\text{C}$ |
| $T_{stg}$ | Storage temperature  | - 55 to 150 | $^\circ\text{C}$ |

## 2.2 Thermal data

**Table 4. Thermal data**

| Symbol         | Parameter   | Max value                     |                               | Unit                      |
|----------------|---|-------------------------------|-------------------------------|---------------------------|
|                |   | PowerSSO-12                   | PowerSSO-24                   |                           |
| $R_{thj-case}$ | Thermal resistance junction-case<br>(with one channel ON) | 2.7                           | 2.7                           | $^\circ\text{C}/\text{W}$ |
| $R_{thj-amb}$  | Thermal resistance junction-ambient                       | See <a href="#">Figure 36</a> | See <a href="#">Figure 40</a> | $^\circ\text{C}/\text{W}$ |

## 2.3 Electrical characteristics

Values specified in this section are for  $8\text{V} < V_{CC} < 28\text{V}$ ;  $-40^\circ\text{C} < T_j < 150^\circ\text{C}$ , unless otherwise stated.

**Table 5. Power section**

| Symbol        | Parameter                          | Test conditions   | Min. | Typ. | Max. | Unit       |
|---------------|------------------------------------|---|------|------|------|------------|
| $V_{CC}$      | Operating supply voltage           |   | 4.5  | 13   | 28   | V          |
| $V_{USD}$     | Undervoltage shutdown              |   |      | 3.5  | 4.5  | V          |
| $V_{USDhyst}$ | Undervoltage shutdown hysteresis   |   |      | 0.5  |      | V          |
| $R_{ON}$      | On-state resistance <sup>(1)</sup> | $I_{OUT}=2\text{A}$ ; $T_j=25^\circ\text{C}$                      |      |      | 50   | m $\Omega$ |
|               |                                    | $I_{OUT}=2\text{A}$ ; $T_j=150^\circ\text{C}$                     |      |      | 100  |            |
|               |                                    | $I_{OUT}=2\text{A}$ ; $V_{CC}=5\text{V}$ ; $T_j=25^\circ\text{C}$ |      |      | 65   |            |
| $V_{clamp}$   | Clamp voltage                      | $I_S=20\text{mA}$   | 41   | 46   | 52   | V          |

**Table 5. Power section (continued)**

| Symbol        | Parameter                                      | Test conditions   | Min. | Typ.             | Max.             | Unit    |
|---------------|--|---|------|------------------|------------------|---------|
| $I_S$         | Supply current                                 | Off-state; $V_{CC}=13V$ ; $T_j=25^\circ C$ ;<br>$V_{IN}=V_{OUT}=V_{SENSE}=V_{CSD}=0V$ |      | 2 <sup>(2)</sup> | 5 <sup>(2)</sup> | $\mu A$ |
|               |  | On-state; $V_{CC}=13V$ ; $V_{IN}=5V$ ;<br>$I_{OUT}=0A$                                |      | 3                | 6                | mA      |
| $I_{L(off1)}$ | Off-state output current <sup>(1)</sup>        | $V_{IN}=V_{OUT}=0V$ ; $V_{CC}=13V$ ;<br>$T_j=25^\circ C$                              | 0    | 0.01             | 3                | $\mu A$ |
|               |  | $V_{IN}=V_{OUT}=0V$ ; $V_{CC}=13V$ ;<br>$T_j=125^\circ C$                             | 0    |                  | 5                |         |
| $V_F$         | Output - $V_{CC}$ diode voltage <sup>(1)</sup> | $-I_{OUT}=4A$ ; $T_j=150^\circ C$   |      |                  | 0.7              | V       |

1. For each channel.

2. PowerMOS leakage included.

**Table 6. Switching ( $V_{CC} = 13V$ ;  $T_j = 25^\circ C$ )**

| Symbol                | Parameter                                 | Test conditions                                 | Min. | Typ.                             | Max. | Unit       |
|-----------------------|---|---|------|----------------------------------|------|------------|
| $t_{d(on)}$           | Turn-on delay time                        | $R_L=6.5\Omega$ (see <a href="#">Figure 6</a> ) |      | 20                               |      | $\mu s$    |
| $t_{d(off)}$          | Turn-off delay time                       | $R_L=6.5\Omega$ (see <a href="#">Figure 6</a> ) |      | 45                               |      | $\mu s$    |
| $dV_{OUT}/dt_{(on)}$  | Turn-on voltage slope                     | $R_L=6.5\Omega$                                 |      | See<br><a href="#">Figure 26</a> |      | V/ $\mu s$ |
| $dV_{OUT}/dt_{(off)}$ | Turn-off voltage slope                    | $R_L=6.5\Omega$                                 |      | See<br><a href="#">Figure 28</a> |      | V/ $\mu s$ |
| $W_{ON}$              | Switching energy losses during $t_{won}$  | $R_L=6.5\Omega$ (see <a href="#">Figure 6</a> ) |      | 0.15                             |      | mJ         |
| $W_{OFF}$             | Switching energy losses during $t_{woff}$ | $R_L=6.5\Omega$ (see <a href="#">Figure 6</a> ) |      | 0.3                              |      | mJ         |

**Table 7. Logic inputs**

| Symbol        | Parameter                | Test conditions | Min. | Typ. | Max. | Unit    |
|---------------|--------------------------|-----------------|------|------|------|---------|
| $V_{IL}$      | Input low level voltage  |                 |      |      | 0.9  | V       |
| $I_{IL}$      | Low level input current  | $V_{IN}=0.9V$   | 1    |      |      | $\mu A$ |
| $V_{IH}$      | Input high level voltage |                 | 2.1  |      |      | V       |
| $I_{IH}$      | High level input current | $V_{IN}=2.1V$   |      |      | 10   | $\mu A$ |
| $V_{I(hyst)}$ | Input hysteresis voltage |                 | 0.25 |      |      | V       |
| $V_{ICL}$     | Input clamp voltage      | $I_{IN}=1mA$    | 5.5  |      | 7    | V       |
|               |                          | $I_{IN}=-1mA$   |      | -0.7 |      |         |
| $V_{CSDL}$    | CS_DIS low level voltage |                 |      |      | 0.9  | V       |
| $I_{CSDL}$    | Low level CS_DIS current | $V_{CSD}=0.9V$  | 1    |      |      | $\mu A$ |

**Table 7. Logic inputs (continued)**

| Symbol          | Parameter                 | Test conditions | Min. | Typ. | Max. | Unit    |
|-----------------|---------------------------|-----------------|------|------|------|---------|
| $V_{CSDH}$      | CS_DIS high level voltage |                 | 2.1  |      |      | V       |
| $I_{CSDH}$      | High level CS_DIS current | $V_{CSD}=2.1V$  |      |      | 10   | $\mu A$ |
| $V_{CSD(hyst)}$ | CS_DIS hysteresis voltage |                 | 0.25 |      |      | V       |
| $V_{CSCL}$      | CS_DIS clamp voltage      | $I_{CSD}=1mA$   | 5.5  |      | 7    | V       |
|                 |                           | $I_{CSD}=-1mA$  |      | -0.7 |      |         |

**Table 8. Protections and diagnostics (1)**

| Symbol      | Parameter                                    | Test conditions   | Min.        | Typ.        | Max.        | Unit        |
|-------------|--|---|-------------|-------------|-------------|-------------|
| $I_{limH}$  | DC short circuit current                     | $V_{CC}=13V$  | 19          | 27          | 38          | A           |
|             |  | $5V < V_{CC} < 28V$   |             |             | 38          | A           |
| $I_{limL}$  | Short circuit current during thermal cycling | $V_{CC}=13V$ $T_R < T_j < T_{TSD}$  |             | 7           |             | A           |
| $T_{TSD}$   | Shutdown temperature                         |   | 150         | 175         | 200         | $^{\circ}C$ |
| $T_R$       | Reset temperature                            |   | $T_{RS}+1$  | $T_{RS}+5$  |             | $^{\circ}C$ |
| $T_{RS}$    | Thermal reset of status                      |   | 135         |             |             | $^{\circ}C$ |
| $T_{HYST}$  | Thermal hysteresis ( $T_{TSD}-T_R$ )         |   |             | 7           |             | $^{\circ}C$ |
| $V_{DEMAG}$ | Turn-off output voltage clamp                | $I_{OUT}=2A$ ; $V_{IN}=0$ ; $L=6mH$   | $V_{CC}-41$ | $V_{CC}-46$ | $V_{CC}-52$ | V           |
| $V_{ON}$    | Output voltage drop limitation               | $I_{OUT}=0.1A$ ;<br>$T_j=-40^{\circ}C...+150^{\circ}C$<br>(see <a href="#">Figure 8</a> ) |             | 25          |             | mV          |

1. To ensure long term reliability under heavy overload or short circuit conditions, protection and related diagnostic signals must be used together with a proper software strategy. If the device is subjected to abnormal conditions, this software must limit the duration and number of activation cycles.

**Table 9. Current sense (8V <  $V_{CC}$  < 18V)**

| Symbol           | Parameter                 | Test conditions   | Min. | Typ. | Max. | Unit |
|------------------|---------------------------|---|------|------|------|------|
| $K_0$            | $I_{OUT}/I_{SENSE}$       | $I_{OUT}=0.05A$ ; $V_{SENSE}=0.5V$ ; $V_{CSD}=0V$ ;<br>$T_j=-40^{\circ}C...150^{\circ}C$  | 1440 | 2250 | 3630 |      |
| $K_1$            | $I_{OUT}/I_{SENSE}$       | $I_{OUT}=1A$ ; $V_{SENSE}=4V$ ; $V_{CSD}=0V$ ;<br>$T_j=-40^{\circ}C...150^{\circ}C$       | 1740 | 2070 | 2820 |      |
|                  |                           | $T_j=25^{\circ}C...150^{\circ}C$  | 1750 | 2070 | 2562 |      |
| $dK_1/K_1^{(1)}$ | Current sense ratio drift | $I_{OUT}=1A$ ; $V_{SENSE}=4V$ ;<br>$V_{CSD}=0V$ ;<br>$T_j=-40^{\circ}C$ to $150^{\circ}C$ | -15  |      | 15   | %    |

**Table 9. Current sense (8V<V<sub>CC</sub><18V) (continued)**

| Symbol   | Parameter   | Test conditions   | Min.         | Typ.         | Max.         | Unit |
|--|---|---|--------------|--------------|--------------|------|
| K <sub>2</sub>                                 | I <sub>OUT</sub> /I <sub>SENSE</sub>                          | I <sub>OUT</sub> = 2A; V <sub>SENSE</sub> = 4V;V <sub>CSD</sub> = 0V;<br>T <sub>J</sub> = -40°C...150°C<br>T <sub>J</sub> = 25°C...150°C  | 1900<br>1899 | 2000<br>2000 | 2395<br>2282 |      |
| dK <sub>2</sub> /K <sub>2</sub> <sup>(1)</sup> | Current sense ratio drift                                     | I <sub>OUT</sub> = 2 A; V <sub>SENSE</sub> = 4 V;<br>V <sub>CSD</sub> =0V;<br>T <sub>J</sub> = -40 °C to 150 °C   | -9           |              | 9            | %    |
| K <sub>3</sub>                                 | I <sub>OUT</sub> /I <sub>SENSE</sub>                          | I <sub>OUT</sub> = 4A; V <sub>SENSE</sub> = 4V;V <sub>CSD</sub> = 0V;<br>T <sub>J</sub> = -40°C...150°C<br>T <sub>J</sub> = 25°C...150°C  | 1969<br>1950 | 1990<br>1990 | 2210<br>2153 |      |
| dK <sub>3</sub> /K <sub>3</sub> <sup>(1)</sup> | Current sense ratio drift                                     | I <sub>OUT</sub> = 4 A; V <sub>SENSE</sub> = 4 V;<br>V <sub>CSD</sub> = 0V;<br>T <sub>J</sub> = -40 °C to 150 °C  | -6           |              | 6            | %    |
| I <sub>SENSE0</sub>                            | Analog sense leakage current                                  | I <sub>OUT</sub> = 0A; V <sub>SENSE</sub> =0V;<br>V <sub>CSD</sub> =5V; V <sub>IN</sub> =0V; T <sub>J</sub> = -40°C...150°C<br>V <sub>CSD</sub> = 0V; V <sub>IN</sub> =5V; T <sub>J</sub> = -40°C...150°C | 0<br>0       |              | 1<br>2       | μA   |
|  |   | I <sub>OUT</sub> = 2A; V <sub>SENSE</sub> = 0V;<br>V <sub>CSD</sub> = 5V; V <sub>IN</sub> = 5V; T <sub>J</sub> = -40°C...150°C  | 0            |              | 1            |      |
| I <sub>OL</sub>                                | Open load on-state current detection threshold                | V <sub>IN</sub> = 5V, 8V<V <sub>CC</sub> <18V<br>I <sub>SENSE</sub> = 5 μA  | 4            |              | 20           | mA   |
| V <sub>SENSE</sub>                             | Max analog sense output voltage                               | I <sub>OUT</sub> = 4A; V <sub>CSD</sub> = 0V  | 5            |              |              | V    |
| V <sub>SENSEH</sub>                            | Analog sense output voltage in fault condition <sup>(2)</sup> | V <sub>CC</sub> = 13V; R <sub>SENSE</sub> = 3.9 KΩ  |              | 8            |              | V    |
| I <sub>SENSEH</sub>                            | Analog sense output current in fault condition <sup>(2)</sup> | V <sub>CC</sub> = 13V; V <sub>SENSE</sub> = 5V  |              | 9            |              | mA   |
| t <sub>DSENSE1H</sub>                          | Delay response time from falling edge of CS_DIS pin           | V <sub>SENSE</sub> <4V, 0.5A<I <sub>OUT</sub> <4A<br>I <sub>SENSE</sub> = 90% of I <sub>SENSEMAX</sub><br>(see <a href="#">Figure 4</a> )   |              | 40           | 100          | μs   |
| t <sub>DSENSE1L</sub>                          | Delay response time from rising edge of CS_DIS pin            | V <sub>SENSE</sub> <4V, 0.5A<I <sub>OUT</sub> <4A<br>I <sub>SENSE</sub> =10% of I <sub>SENSEMAX</sub><br>(see <a href="#">Figure 4</a> )  |              | 5            | 20           | μs   |
| t <sub>DSENSE2H</sub>                          | Delay response time from rising edge of INPUT pin             | V <sub>SENSE</sub> <4V, 0.5A<I <sub>OUT</sub> <4A<br>I <sub>SENSE</sub> =90% of I <sub>SENSEMAX</sub><br>(see <a href="#">Figure 4</a> )  |              | 80           | 250          | μs   |

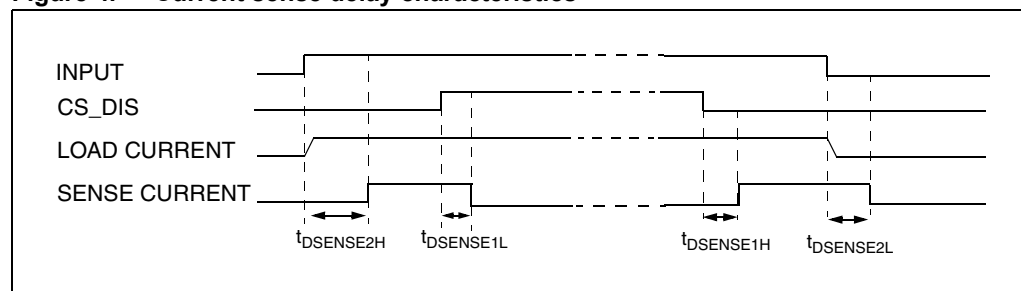
**Table 9. Current sense (8V<V<sub>CC</sub><18V) (continued)**

| Symbol                        | Parameter  | Test conditions   | Min. | Typ. | Max. | Unit          |
|-------------------------------|--|---|------|------|------|---------------|
| $\Delta t_{\text{DSSENSE2H}}$ | Delay response time between rising edge of output current and rising edge of current sense | $V_{\text{SENSE}} < 4\text{V}$ ,<br>$I_{\text{SENSE}} = 90\%$ of $I_{\text{SENSEMAX}}$ ,<br>$I_{\text{OUT}} = 90\%$ of $I_{\text{OUTMAX}}$<br>$I_{\text{OUTMAX}} = 2\text{A}$ (see <a href="#">Figure 7</a> ) |      |      | 40   | $\mu\text{s}$ |
| $t_{\text{DSSENSE2L}}$        | Delay response time from falling edge of INPUT pin   | $V_{\text{SENSE}} < 4\text{V}$ , $0.5\text{A} < I_{\text{OUT}} < 4\text{A}$<br>$I_{\text{SENSE}} = 10\%$ of $I_{\text{SENSEMAX}}$<br>(see <a href="#">Figure 4</a> )  |      | 80   | 250  | $\mu\text{s}$ |

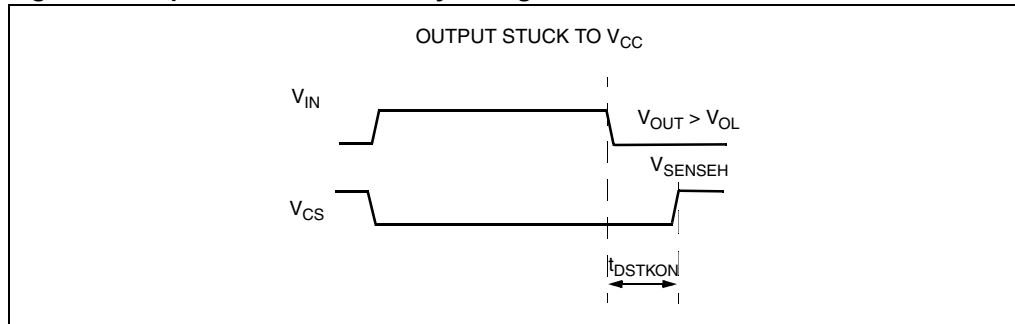
- Parameter guaranteed by design; it is not tested.
- Fault condition includes: power limitation, over temperature and open load off-state detection.

**Table 10. Open load detection (8V<V<sub>CC</sub><18V)**

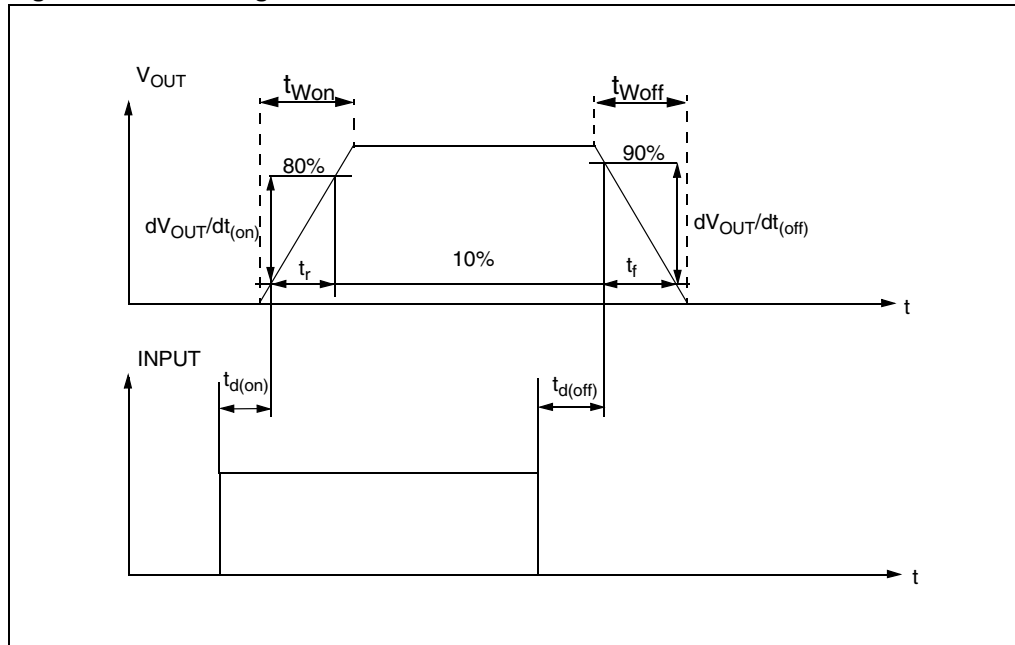
| Symbol                | Parameter   | Test conditions   | Min. | Typ.                         | Max. | Unit          |
|-----------------------|---|---|------|------------------------------|------|---------------|
| $V_{\text{OL}}$       | Open load off-state voltage detection threshold                                       | $V_{\text{IN}} = 0\text{V}$   | 2    | See <a href="#">Figure 5</a> | 4    | V             |
| $t_{\text{DSTKON}}$   | Output short circuit to V <sub>CC</sub> detection delay at turn-off                   | See <a href="#">Figure 5</a>  | 180  |                              | 1200 | $\mu\text{s}$ |
| $I_{\text{L(off2)r}}$ | Off-state output current at $V_{\text{OUT}} = 4\text{V}$                              | $V_{\text{IN}} = 0\text{V}$ ; $V_{\text{SENSE}} = 0\text{V}$<br>$V_{\text{OUT}}$ rising from 0V to 4V                       | -120 |                              | 0    | $\mu\text{A}$ |
| $I_{\text{L(off2)f}}$ | Off-state output current at $V_{\text{OUT}} = 2\text{V}$                              | $V_{\text{IN}} = 0\text{V}$ ; $V_{\text{SENSE}} = V_{\text{SENSEH}}$<br>$V_{\text{OUT}}$ falling from $V_{\text{CC}}$ to 2V | -50  |                              | 90   | $\mu\text{A}$ |
| $t_{\text{d\_vol}}$   | Delay response from output rising edge to V <sub>SENSE</sub> rising edge in open load | $V_{\text{OUT}} = 4\text{V}$ ; $V_{\text{IN}} = 0\text{V}$<br>$V_{\text{SENSE}} = 90\%$ of $V_{\text{SENSEH}}$              |      |                              | 20   | $\mu\text{s}$ |

**Figure 4. Current sense delay characteristics**

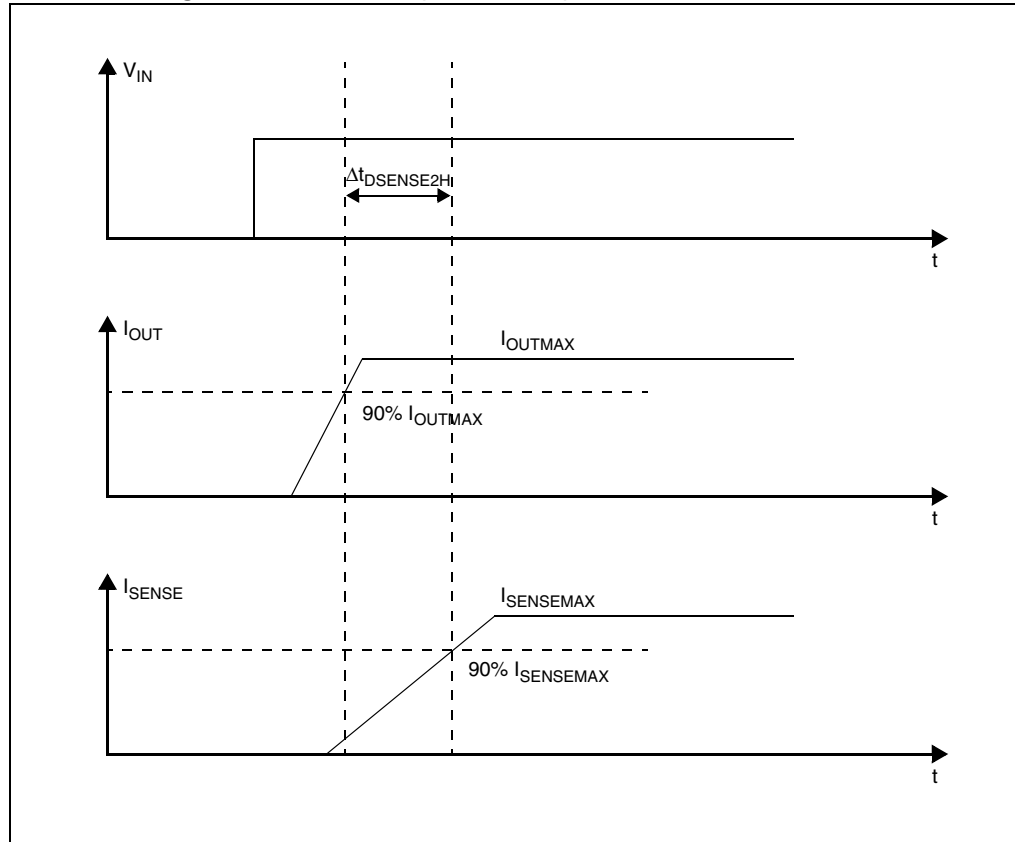
**Figure 5. Open load off-state delay timing**



**Figure 6. Switching characteristics**



**Figure 7. Delay response time between rising edge of output current and rising edge of current sense (CS enabled)**



**Figure 8. Output voltage drop limitation**

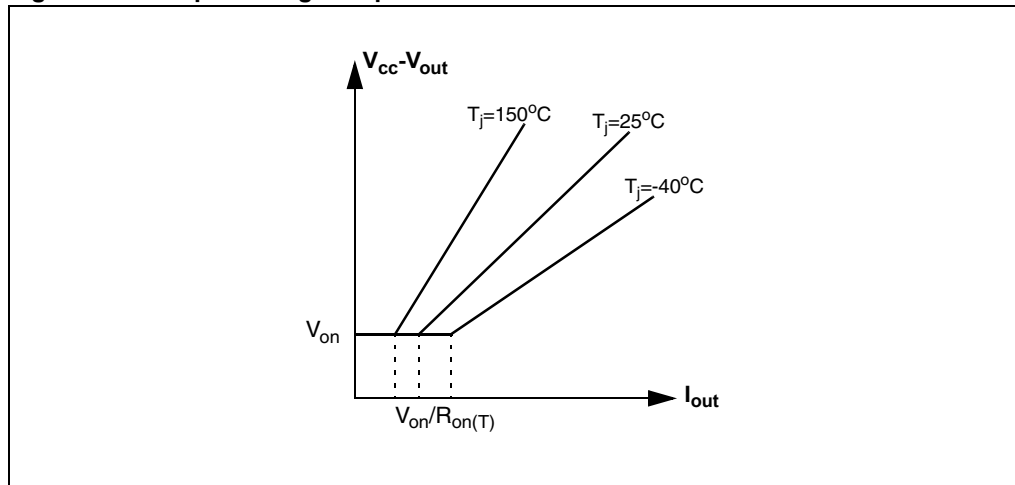


Figure 9.  $I_{OUT}/I_{SENSE}$  vs  $I_{OUT}$

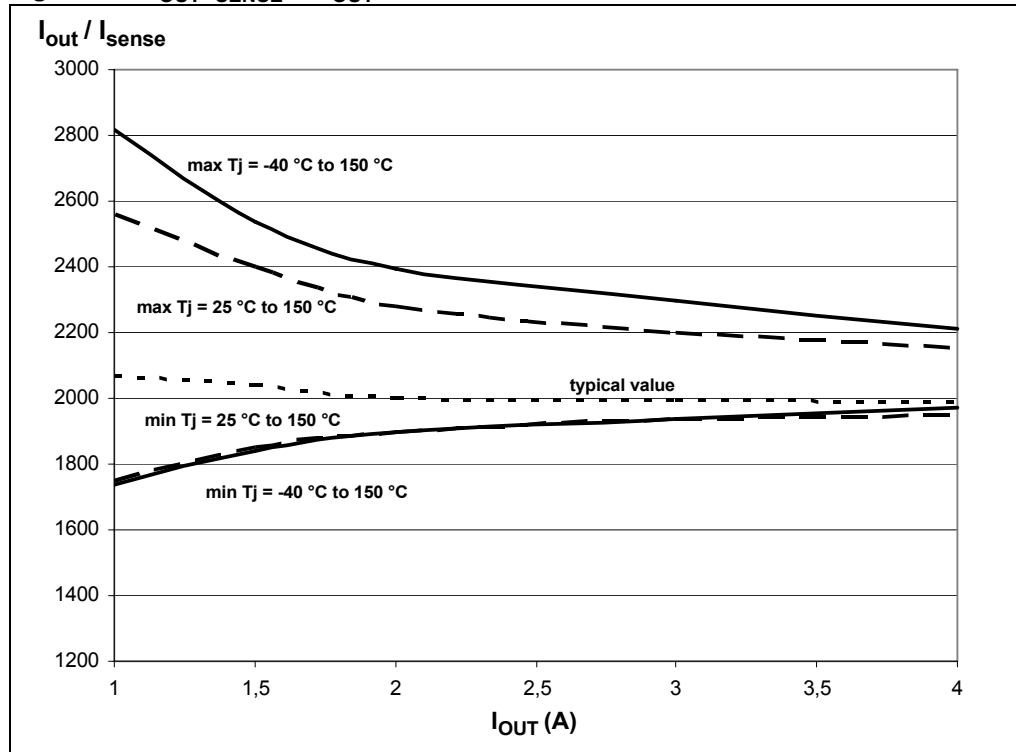
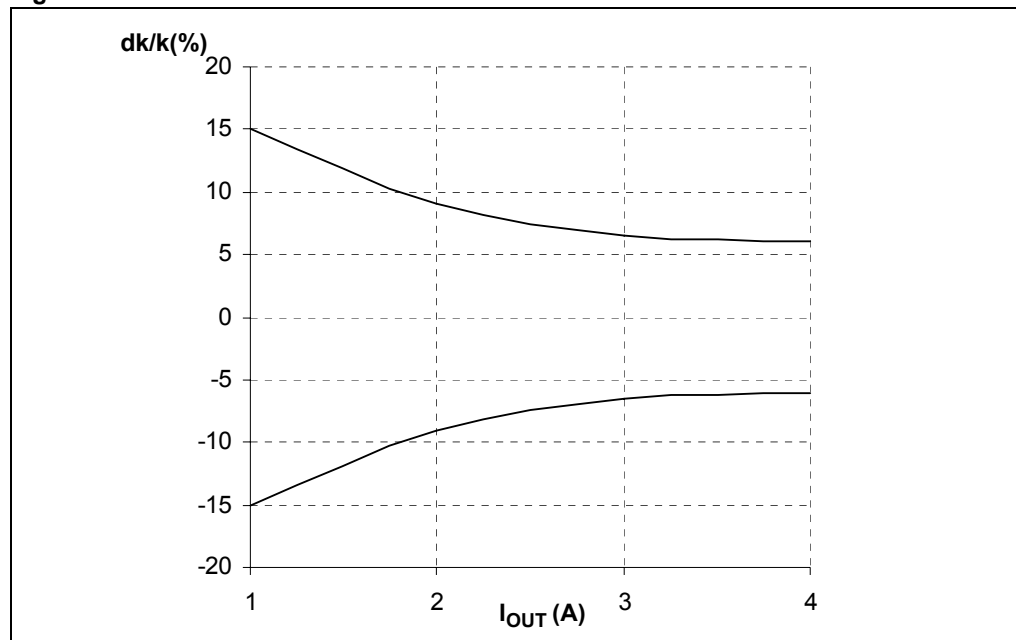


Figure 10. Maximum current sense ratio drift vs load current



Note: *Parameter guaranteed by design; it is not tested.*



Table 11. Truth table

| Conditions  | Input | Output                        | Sense ( $V_{CSD}=0V$ ) <sup>(1)</sup> |
|---|-------|-------------------------------|---------------------------------------|
| Normal operation  | L     | L                             | 0                                     |
|   | H     | H                             | Nominal                               |
| Overtemperature   | L     | L                             | 0                                     |
|   | H     | L                             | $V_{SENSEH}$                          |
| Undervoltage  | L     | L                             | 0                                     |
|   | H     | L                             | 0                                     |
| Overload  | H     | X<br>(no power limitation)    | Nominal                               |
|   | H     | Cycling<br>(power limitation) | $V_{SENSEH}$                          |
| Short circuit to GND<br>(power limitation)                      | L     | L                             | 0                                     |
|   | H     | L                             | $V_{SENSEH}$                          |
| Open load off-state<br>(with external pull-up)                  | L     | H                             | $V_{SENSEH}$                          |
| Short circuit to $V_{CC}$<br>(external pull-up<br>disconnected) | L     | H                             | $V_{SENSEH}$                          |
|   | H     | H                             | < Nominal                             |
| Negative output voltage<br>clamp                                | L     | L                             | 0                                     |

1. If the  $V_{CSD}$  is high, the SENSE output is at a high impedance, its potential depends on leakage currents and external circuit.

**Table 12. Electrical transient requirements (part 1)**

| ISO 7637-2:<br>2004(E)<br>test pulse | Test levels <sup>(1)</sup> |       | Number of<br>pulses or<br>test times | Burst cycle/pulse<br>repetition time |       | Delays and<br>Impedance |
|--------------------------------------|----------------------------|-------|--------------------------------------|--------------------------------------|-------|-------------------------|
|                                      | III                        | IV    |                                      | Min.                                 | Max.  |                         |
| 1                                    | -75V                       | -100V | 5000 pulses                          | 0.5s                                 | 5s    | 2 ms, 10Ω               |
| 2a                                   | +37V                       | +50V  | 5000 pulses                          | 0.2s                                 | 5s    | 50μs, 2Ω                |
| 3a                                   | -100V                      | -150V | 1h                                   | 90ms                                 | 100ms | 0.1μs, 50Ω              |
| 3b                                   | +75V                       | +100V | 1h                                   | 90ms                                 | 100ms | 0.1μs, 50Ω              |
| 4                                    | -6V                        | -7V   | 1 pulse                              |                                      |       | 100ms, 0.01Ω            |
| 5b <sup>(2)</sup>                    | +65V                       | +87V  | 1 pulse                              |                                      |       | 400ms, 2Ω               |

1. The above test levels must be considered referred to  $V_{CC} = 13.5V$  except for pulse 5b.
2. Valid in case of external load dump clamp: 40V maximum referred to ground.

**Table 13. Electrical transient requirements (part 2)**

| ISO 7637-2:<br>2004E<br>test pulse | Test level results |    |
|------------------------------------|--------------------|----|
|                                    | III                | VI |
| 1                                  | C                  | C  |
| 2a                                 | C                  | C  |
| 3a                                 | C                  | C  |
| 3b                                 | C                  | C  |
| 4                                  | C                  | C  |
| 5b <sup>(1)</sup>                  | C                  | C  |

1. Valid in case of external load dump clamp: 40V maximum referred to ground.

**Table 14. Electrical transient requirements (part 3)**

| Class | Contents   |
|-------|--|
| C     | All functions of the device performed as designed after exposure to disturbance.   |
| E     | One or more functions of the device did not perform as designed after exposure to disturbance and cannot be returned to proper operation without replacing the device. |

## 2.4 Waveforms

Figure 11. Normal operation

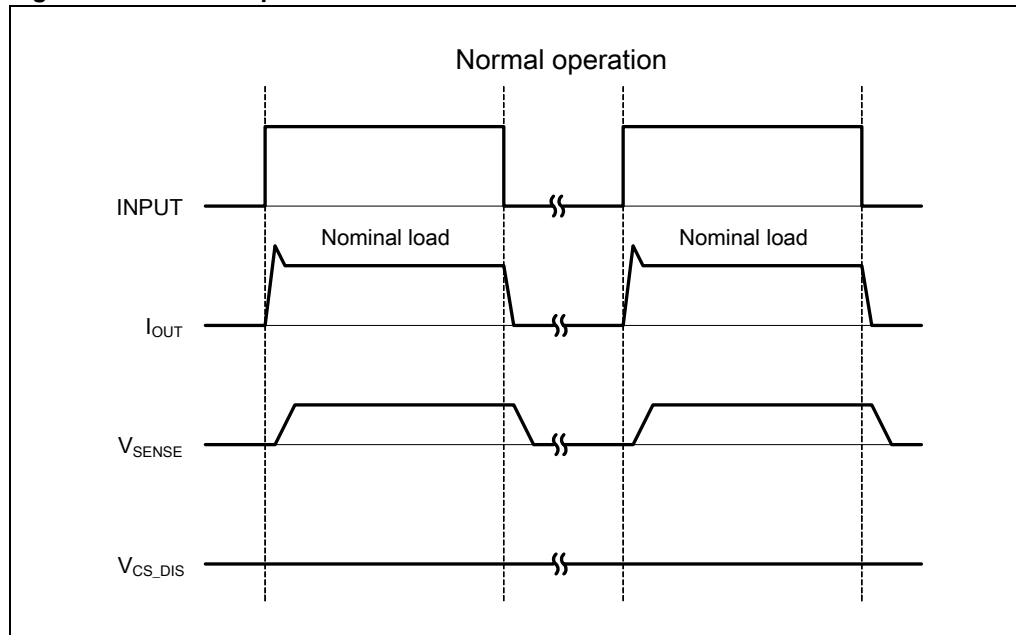


Figure 12. Overload or short to GND

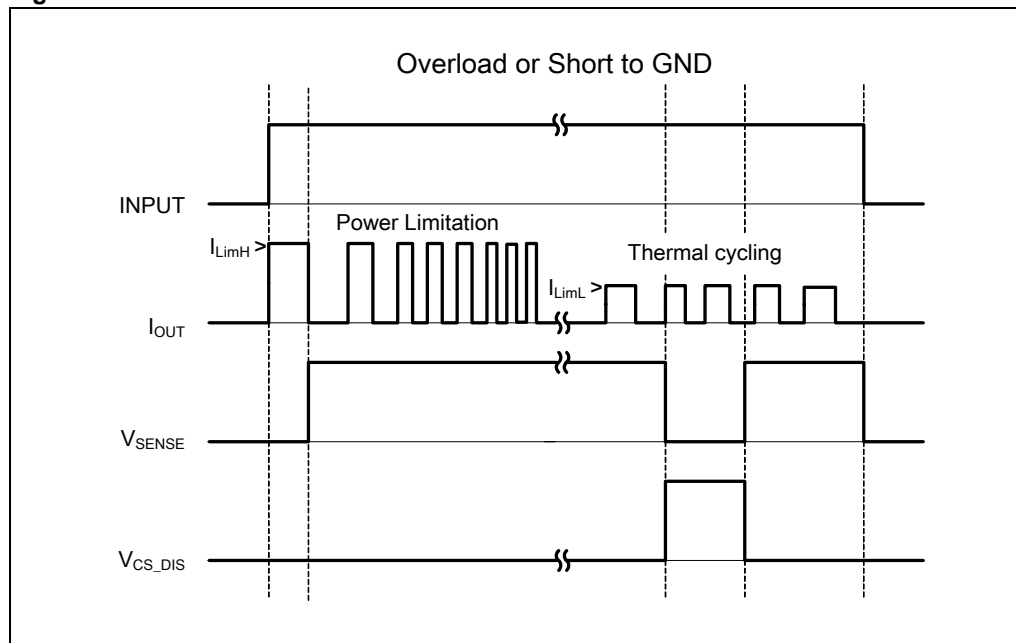


Figure 13. Intermittent overload

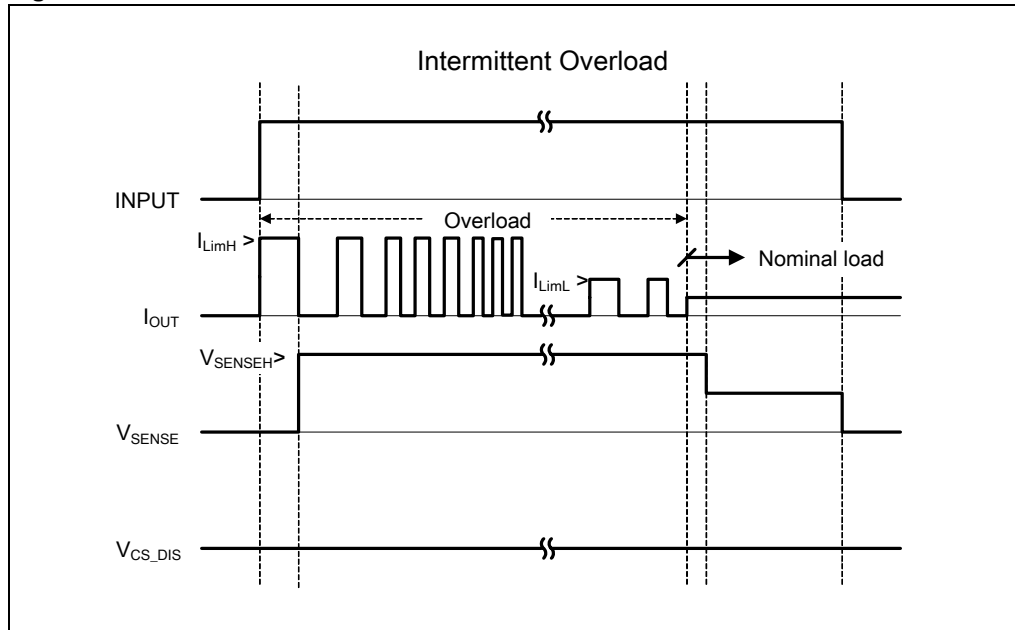


Figure 14. Off-state open load with external circuitry

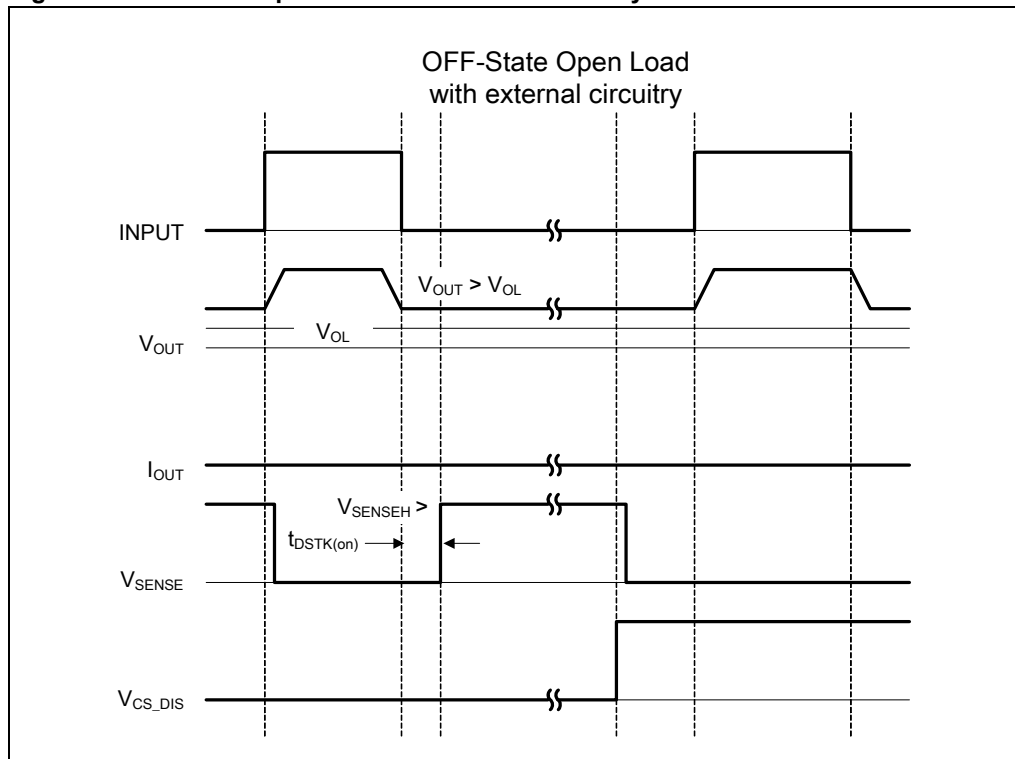


Figure 15. Short to  $V_{CC}$

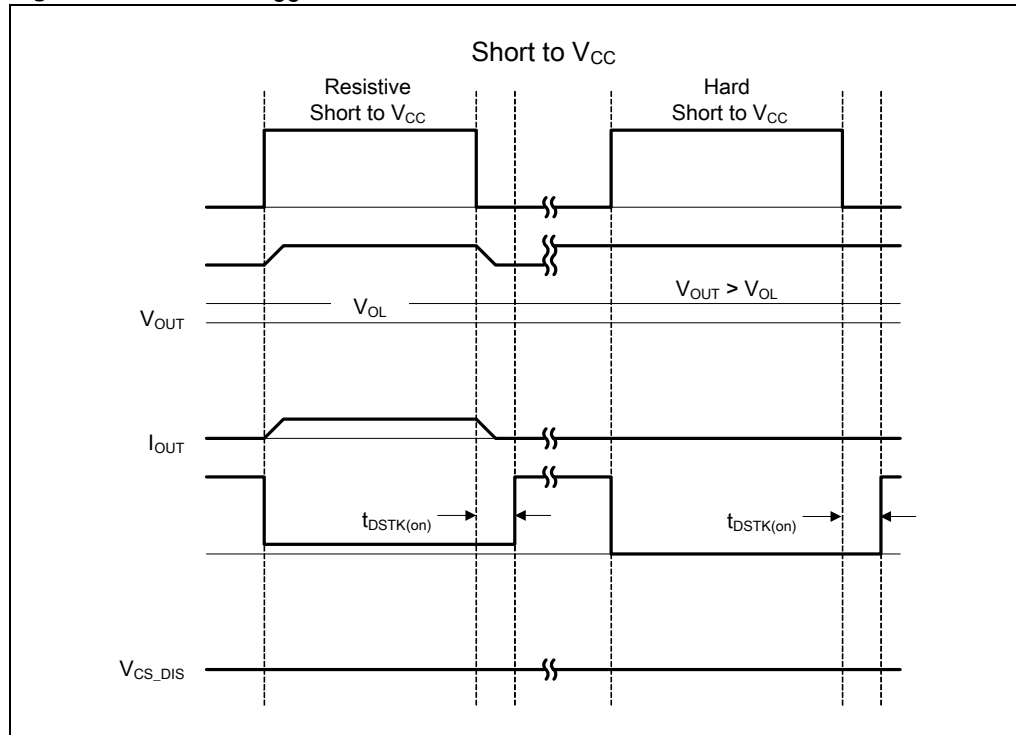
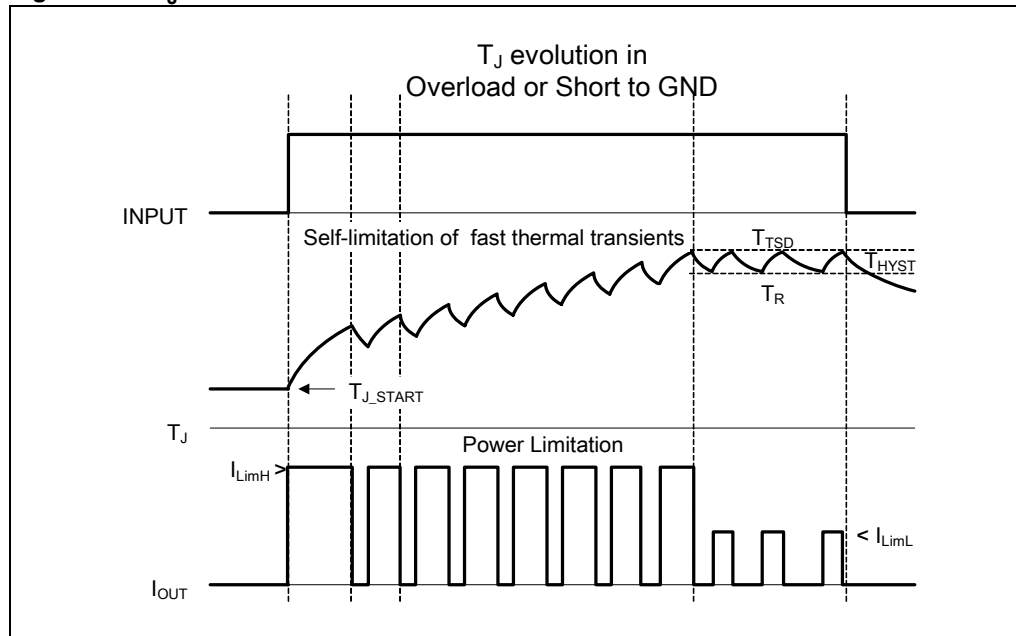


Figure 16.  $T_J$  evolution in overload or short to GND



## 2.5 Electrical characteristics curves

Figure 17. Off-state output current

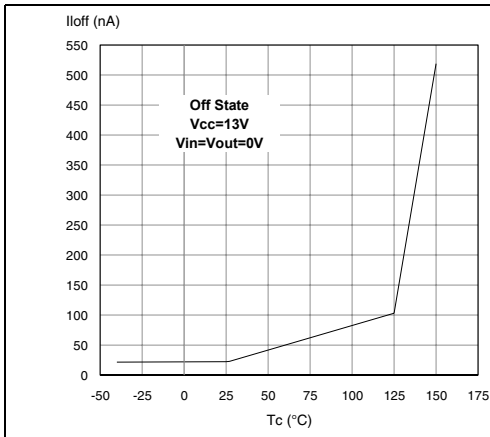


Figure 18. High level input current

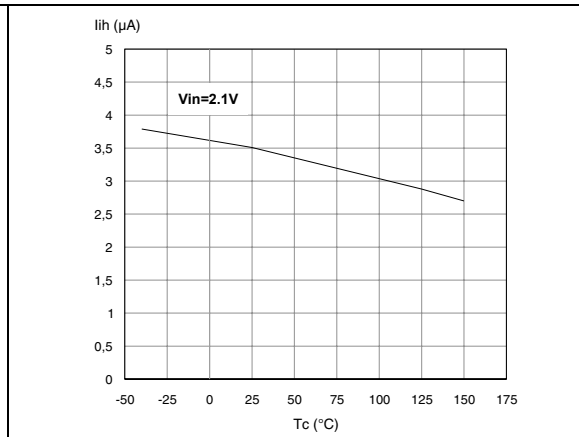


Figure 19. Input clamp voltage

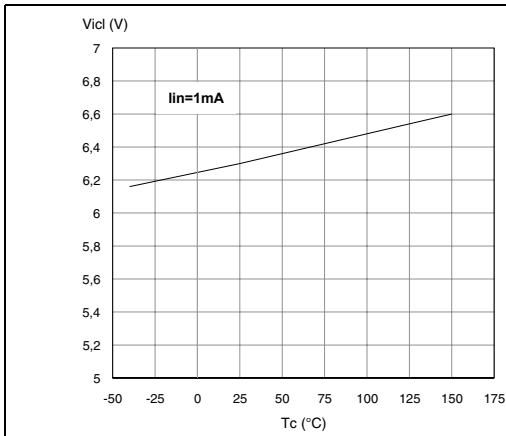


Figure 20. Input low level

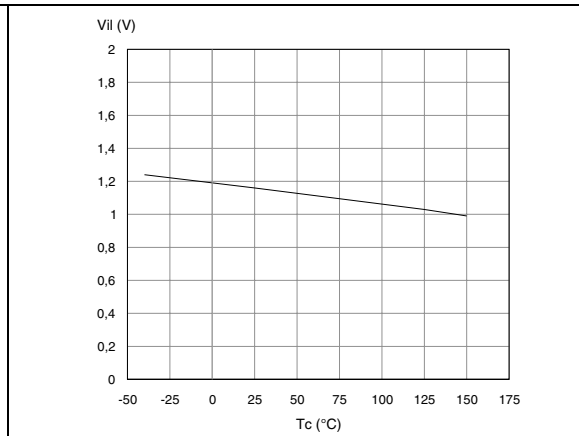


Figure 21. Input high level

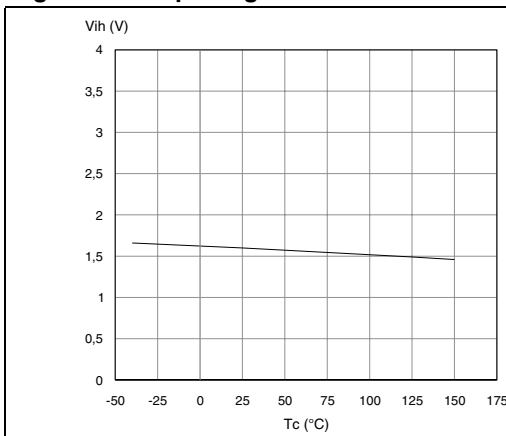


Figure 22. Input hysteresis voltage

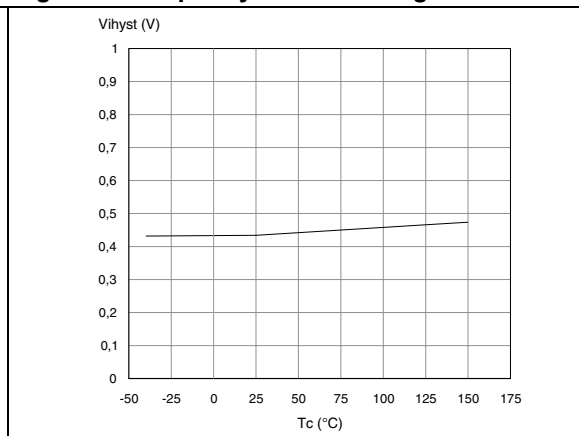


Figure 23. On-state resistance vs  $T_{case}$

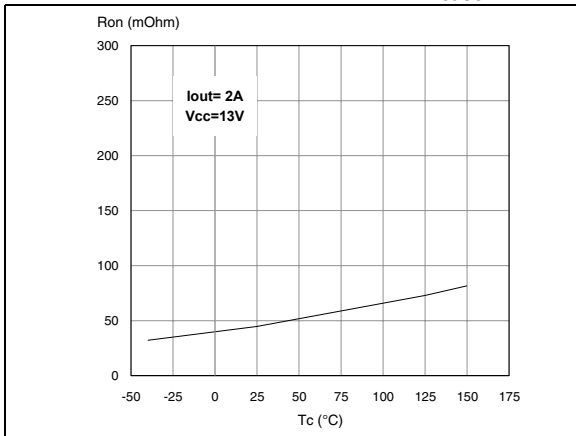


Figure 24. On-state resistance vs  $V_{CC}$

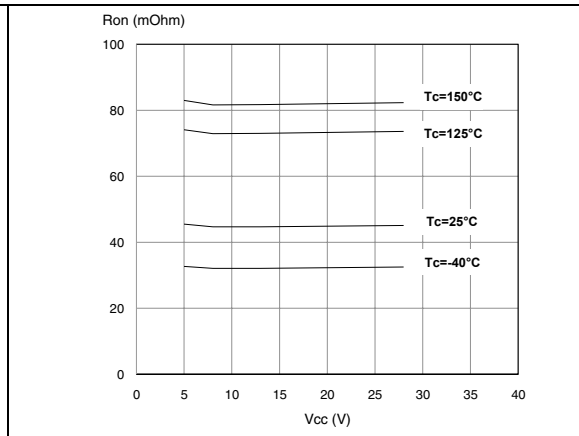


Figure 25. Undervoltage shutdown

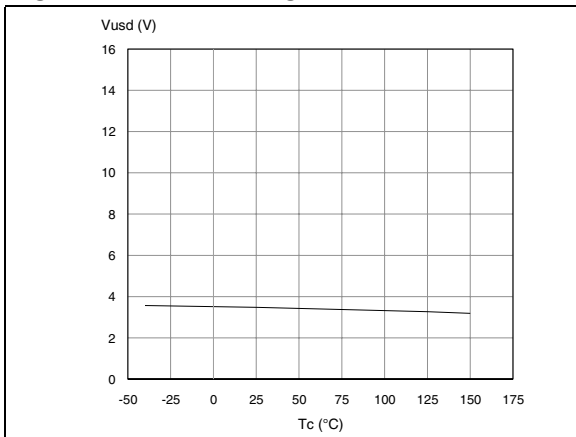


Figure 26. Turn-on voltage slope

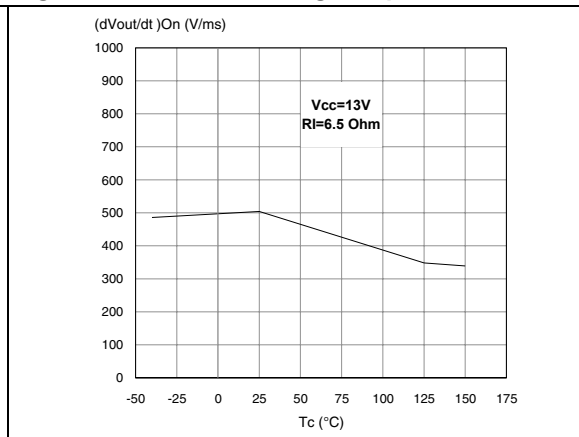


Figure 27.  $I_{LIMH}$  vs  $T_{case}$

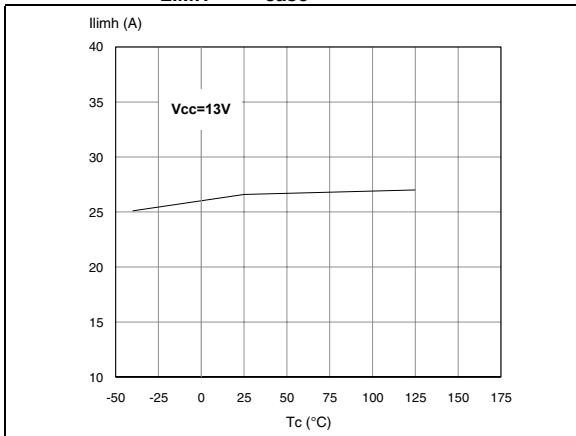


Figure 28. Turn-off voltage slope

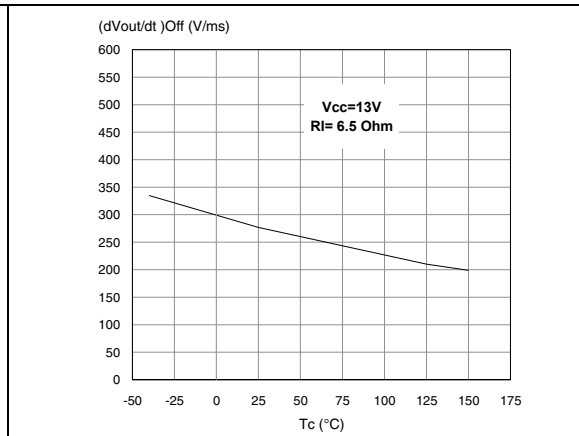


Figure 29. CS\_DIS high level voltage

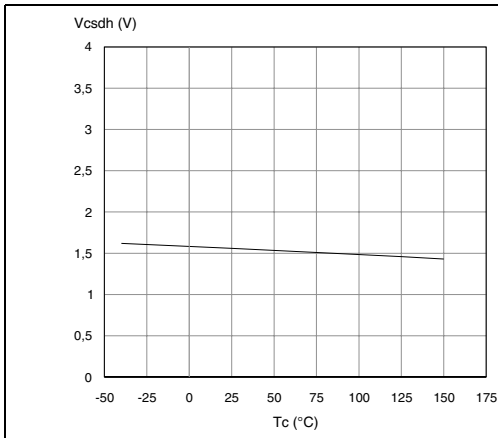


Figure 30. CS\_DIS clamp voltage

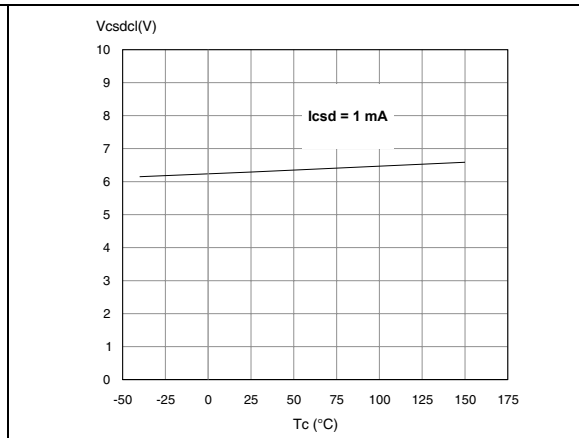
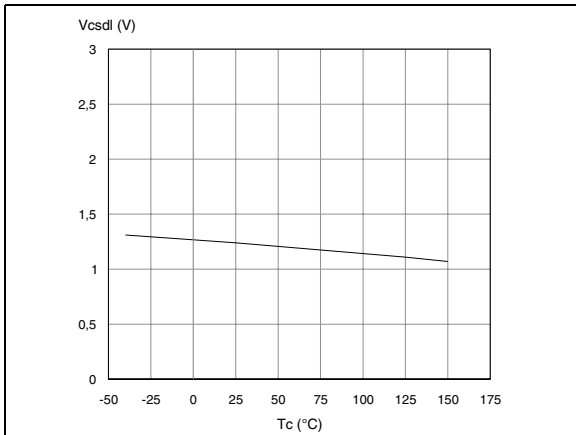


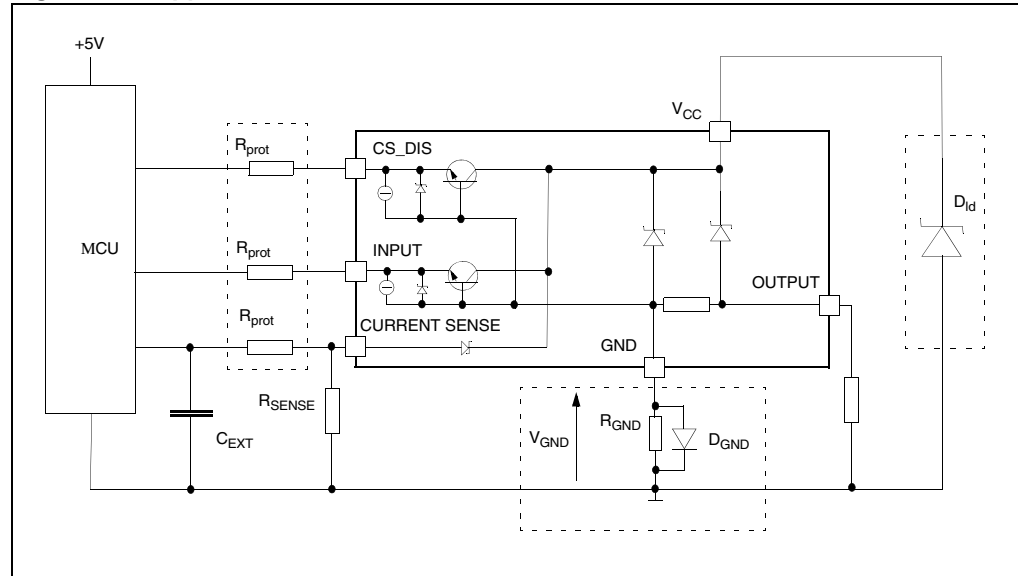
Figure 31. CS\_DIS low level voltage





### 3 Application information

Figure 32. Application schematic



Note: Channel 2 has the same internal circuit as channel 1.

#### 3.1 GND protection network against reverse battery

This section provides two solutions for implementing a ground protection network against reverse battery.

##### 3.1.1 Solution 1: resistor in the ground line ( $R_{GND}$ only)

This can be used with any type of load.

The following is an indication on how to dimension the  $R_{GND}$  resistor.

1.  $R_{GND} \leq 600\text{mV} / (I_{S(\text{on})\text{max}})$
2.  $R_{GND} \geq (-V_{CC}) / (-I_{GND})$

where  $-I_{GND}$  is the DC reverse ground pin current and can be found in the absolute maximum rating section of the device datasheet.

Power dissipation in  $R_{GND}$  (when  $V_{CC} < 0$ : during reverse battery situations) is:

$$P_D = (-V_{CC})^2 / R_{GND}$$

This resistor can be shared amongst several different HSDs. Please note that the value of this resistor should be calculated with formula (1) where  $I_{S(\text{on})\text{max}}$  becomes the sum of the maximum on-state currents of the different devices.

Please note that if the microprocessor ground is not shared by the device ground then the  $R_{GND}$  will produce a shift ( $I_{S(\text{on})\text{max}} * R_{GND}$ ) in the input thresholds and the status output values. This shift will vary depending on how many devices are on in the case of several high side drivers sharing the same  $R_{GND}$ .

If the calculated power dissipation leads to a large resistor or several devices have to share the same resistor then ST suggests to utilize [Section 3.1.2: Solution 2: diode \(D<sub>GND</sub>\) in the ground line](#).

### 3.1.2 Solution 2: diode (D<sub>GND</sub>) in the ground line

A resistor (R<sub>GND</sub>=1kΩ) should be inserted in parallel to D<sub>GND</sub> if the device drives an inductive load.

This small signal diode can be safely shared amongst several different HSDs. Also in this case, the presence of the ground network will produce a shift (≈600mV) in the input threshold and in the status output values if the microprocessor ground is not common to the device ground. This shift will not vary if more than one HSD shares the same diode/resistor network.

## 3.2 Load dump protection

D<sub>ld</sub> is necessary (voltage transient suppressor) if the load dump peak voltage exceeds the V<sub>CC</sub> max DC rating. The same applies if the device is subject to transients on the V<sub>CC</sub> line that are greater than the ones shown in the ISO 7637-2: 2004(E) table.

## 3.3 MCU I/Os protection

If a ground protection network is used and negative transients are present on the V<sub>CC</sub> line, the control pins will be pulled negative. ST suggests to insert a resistor (R<sub>prot</sub>) in line to prevent the μC I/Os pins to latch-up.

The value of these resistors is a compromise between the leakage current of μC and the current required by the HSD I/Os (Input levels compatibility) with the latch-up limit of μC I/Os:

$$-V_{CCpeak}/I_{latchup} \leq R_{prot} \leq (V_{OH\mu C} - V_{IH} - V_{GND}) / I_{IHmax}$$

Calculation example:

For V<sub>CCpeak</sub> = -100V and I<sub>latchup</sub> ≥ 20mA; V<sub>OHμC</sub> ≥ 4.5V

$$5k\Omega \leq R_{prot} \leq 180k\Omega$$

Recommended values: R<sub>prot</sub> = 10kΩ, C<sub>EXT</sub> = 10nF.

## 3.4 Current sense and diagnostic

The current sense pin performs a double function (see [Figure 33: Current sense and diagnostic](#)):

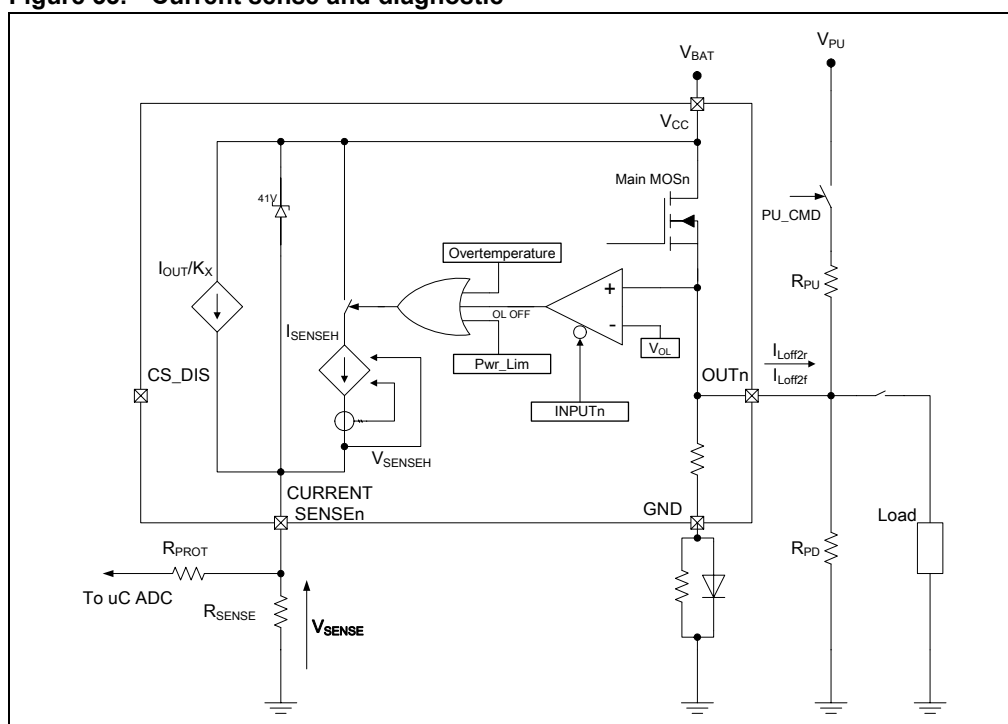
- **Current mirror of the load current in normal operation**, delivering a current proportional to the load one according to a known ratio **K<sub>x</sub>**.  
The current I<sub>SENSE</sub> can be easily converted to a voltage V<sub>SENSE</sub> by means of an external resistor R<sub>SENSE</sub>. Linearity between I<sub>OUT</sub> and V<sub>SENSE</sub> is ensured up to 5V minimum (see parameter V<sub>SENSE</sub> in [Table 9: Current sense \(8V < V<sub>CC</sub> < 18V\)](#)). The

current sense accuracy depends on the output current (refer to current sense electrical characteristics Table 9: Current sense ( $8V < V_{CC} < 18V$ )).

- **Diagnostic flag in fault conditions**, delivering a fixed voltage  $V_{SENSEH}$  up to a maximum current  $I_{SENSEH}$  in case of the following fault conditions (refer to):
  - Power limitation activation
  - Over-temperature
  - Short to  $V_{CC}$  in off-state
  - Open load in off-state with additional external components.

A logic level high on CS\_DIS pin sets at the same time all the current sense pins of the device in a high impedance state, thus disabling the current monitoring and diagnostic detection. This feature allows multiplexing of the microcontroller analog inputs by sharing of sense resistance and ADC line among different devices.

Figure 33. Current sense and diagnostic



### 3.4.1 Short to $V_{CC}$ and off-state open load detection

#### Short to $V_{CC}$

A short circuit between  $V_{CC}$  and output is indicated by the relevant current sense pin set to  $V_{SENSEH}$  during the device off-state. Small or no current is delivered by the current sense during the on-state depending on the nature of the short circuit.

#### Off-state open load with external circuitry

Detection of an open load in off mode requires an external pull-up resistor  $R_{PU}$  connecting the output to a positive supply voltage  $V_{PU}$ .

It is preferable  $V_{PU}$  to be switched off during the module stand-by mode in order to avoid the overall stand-by current consumption to increase in normal conditions, i.e. when load is connected.

An external pull down resistor  $R_{PD}$  connected between output and GND is mandatory to avoid misdetection in case of floating outputs in off-state (see [Figure 33: Current sense and diagnostic](#)).

$R_{PD}$  must be selected in order to ensure  $V_{OUT} < V_{OLmin}$  unless pulled up by the external circuitry:

$$V_{OUT}|_{Pull-up\_OFF} = R_{PD} \cdot I_{L(off2)f} < V_{OLmin} = 2V$$

$R_{PD} \leq 22 \text{ K}\Omega$  is recommended.

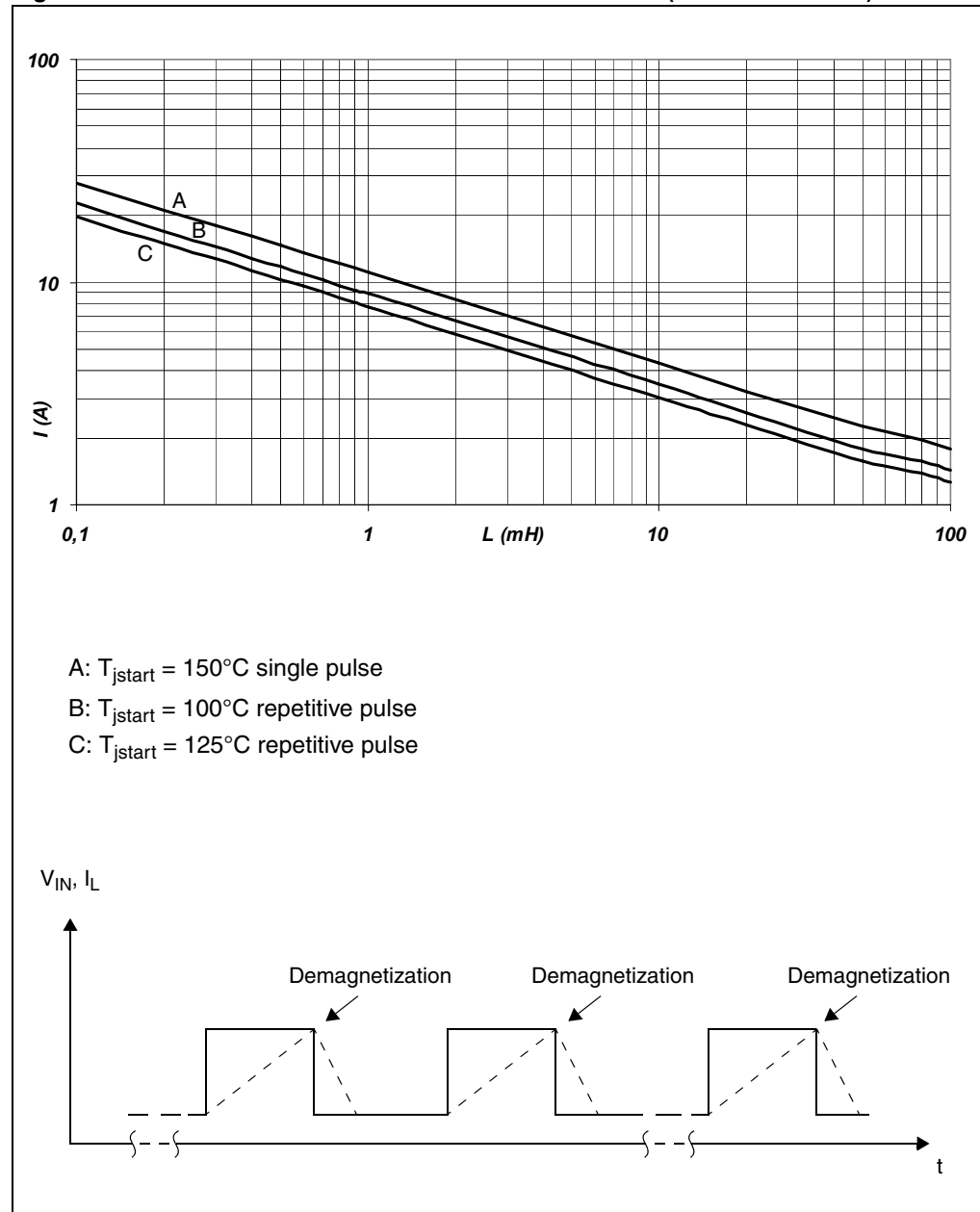
For proper open load detection in off-state, the external pull-up resistor must be selected according to the following formula:

$$V_{OUT}|_{Pull-up\_ON} = \frac{R_{PD} \cdot V_{PU} - R_{PU} \cdot R_{PD} \cdot I_{L(off2)r}}{R_{PU} + R_{PD}} > V_{OLmax} = 4V$$

For the values of  $V_{OLmin}$ ,  $V_{OLmax}$ ,  $I_{L(off2)r}$  and  $I_{L(off2)f}$  see [Table 10: Open load detection \( \$8V < V\_{CC} < 18V\$ \)](#).

### 3.5 Maximum demagnetization energy ( $V_{CC} = 13.5V$ )

Figure 34. Maximum turn-off current versus inductance (for each channel)

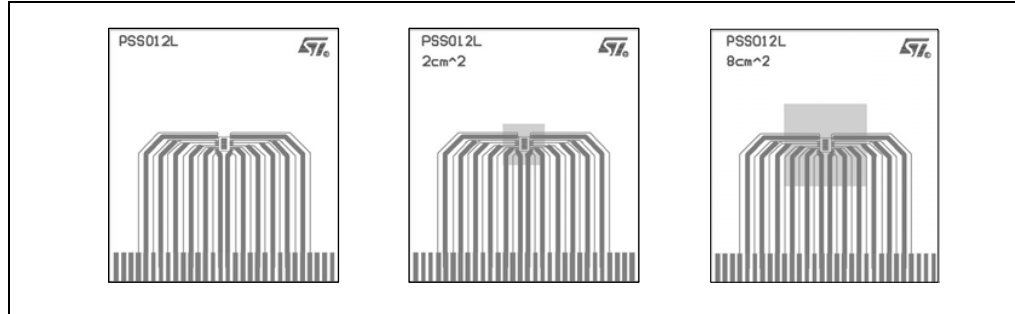


Note: Values are generated with  $R_L = 0 \Omega$ . In case of repetitive pulses,  $T_{jstart}$  (at beginning of each demagnetization) of every pulse must not exceed the temperature specified above for curves A and B.

## 4 Package and PCB thermal data

### 4.1 PowerSSO-12 thermal data

Figure 35. PowerSSO-12 PC board



Note: Layout condition of  $R_{th}$  and  $Z_{th}$  measurements (PCB: Double layer, Thermal Vias, FR4 area= 77mm x 86mm, PCB thickness=1.6mm, Cu thickness=70 $\mu$ m (front and back side), Copper areas: from minimum pad lay-out to 8cm<sup>2</sup>).

Figure 36.  $R_{thj-amb}$  Vs. PCB copper area in open box free air condition (one channel ON)

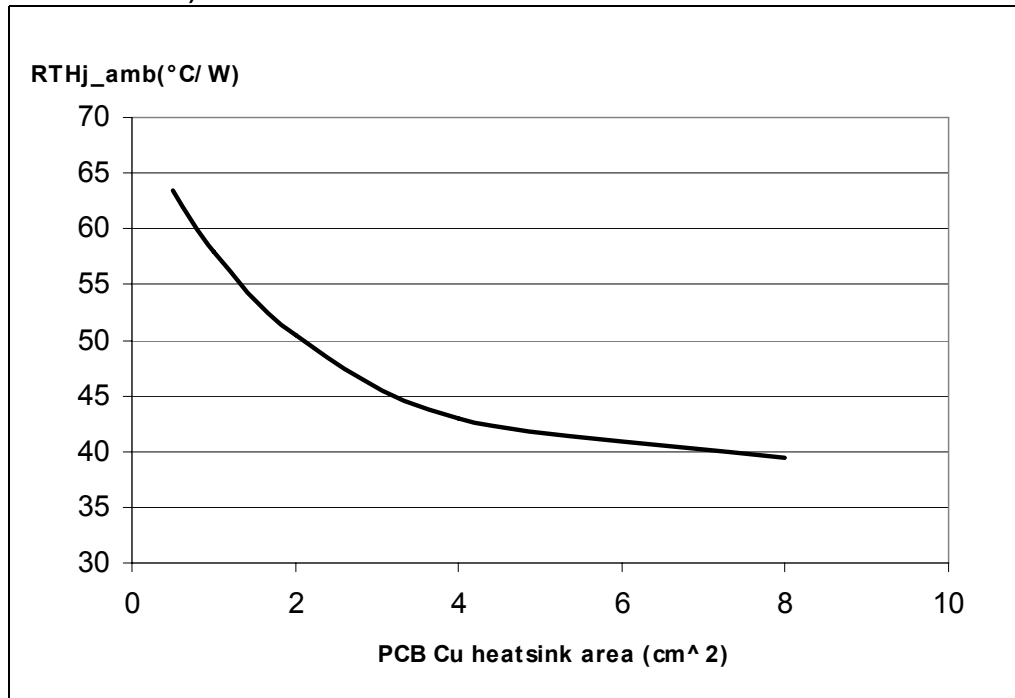
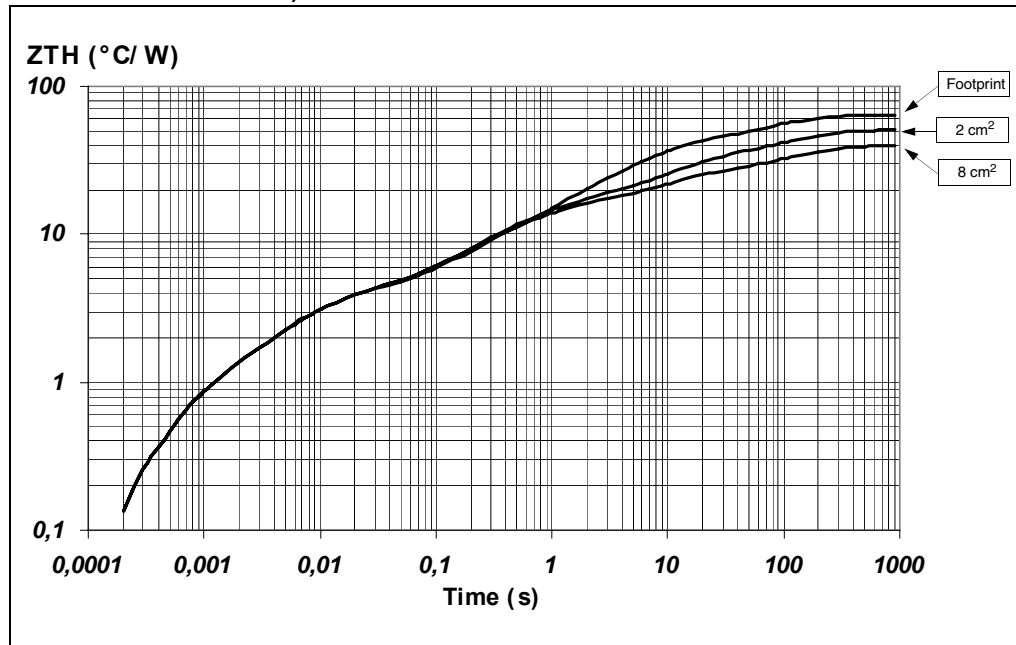


Figure 37. PowerSSO-12 thermal impedance junction ambient single pulse (one channel ON)

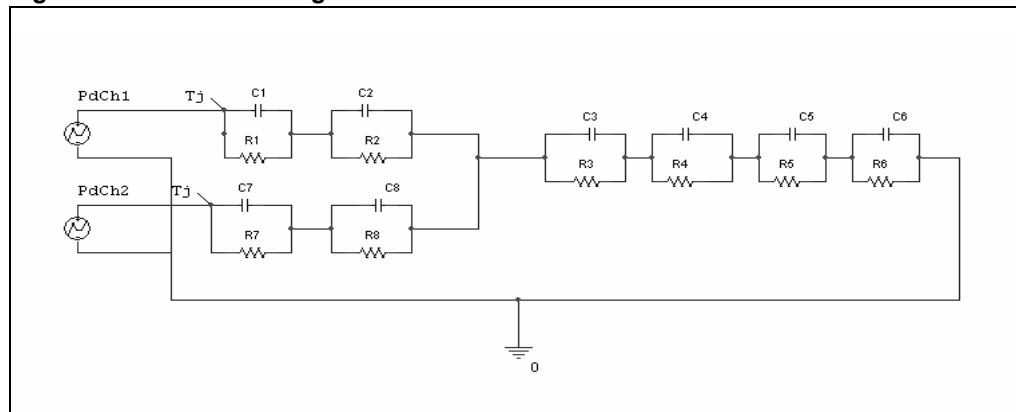


Equation 1: pulse calculation formula

$$Z_{TH\delta} = R_{TH} \cdot \delta + Z_{THtp}(1 - \delta)$$

where  $\delta = t_p / T$

Figure 38. Thermal fitting model of a double channel HSD in PowerSSO-12 (a)



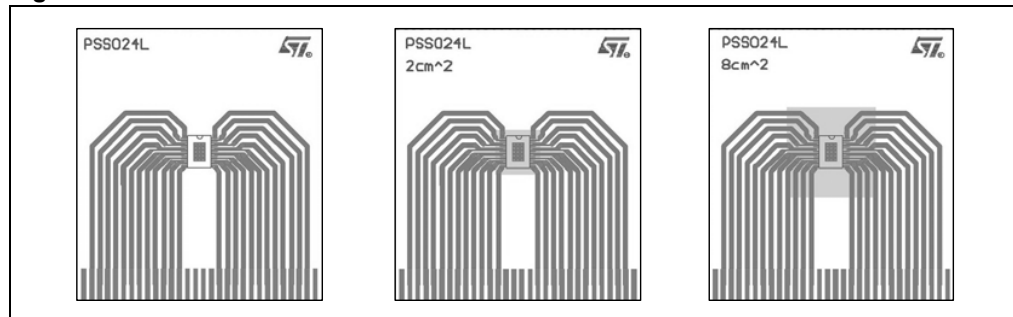
a. The fitting model is a simplified thermal tool and is valid for transient evolutions where the embedded protections (power limitation or thermal cycling during thermal shutdown) are not triggered.

Table 15. Thermal parameters

| Area/island (cm <sup>2</sup> ) | Footprint | 2   | 8   |
|--------------------------------|-----------|-----|-----|
| R1=R7 (°C/W)                   | 0.7       |     |     |
| R2=R8 (°C/W)                   | 2.8       |     |     |
| R3 (°C/W)                      | 4         |     |     |
| R4 (°C/W)                      | 8         | 8   | 7   |
| R5 (°C/W)                      | 22        | 15  | 10  |
| R6 (°C/W)                      | 26        | 20  | 15  |
| C1=C7 (W.s/°C)                 | 0.001     |     |     |
| C2=C8 (W.s/°C)                 | 0.0025    |     |     |
| C3 (W.s/°C)                    | 0.05      |     |     |
| C4 (W.s/°C)                    | 0.2       | 0.1 | 0.1 |
| C5 (W.s/°C)                    | 0.27      | 0.8 | 1   |
| C6 (W.s/°C)                    | 3         | 6   | 9   |

## 4.2 PowerSSO-24 thermal data

Figure 39. PowerSSO-24 PC board



Note: Layout condition of  $R_{th}$  and  $Z_{th}$  measurements (PCB: Double layer, Thermal Vias, FR4 area= 77mm x 86mm, PCB thickness=1.6mm, Cu thickness=70 $\mu$ m (front and back side), Copper areas: from minimum pad lay-out to 8cm<sup>2</sup>).



Figure 40.  $R_{thj-amb}$  vs PCB copper area in open box free air condition (one channel ON)

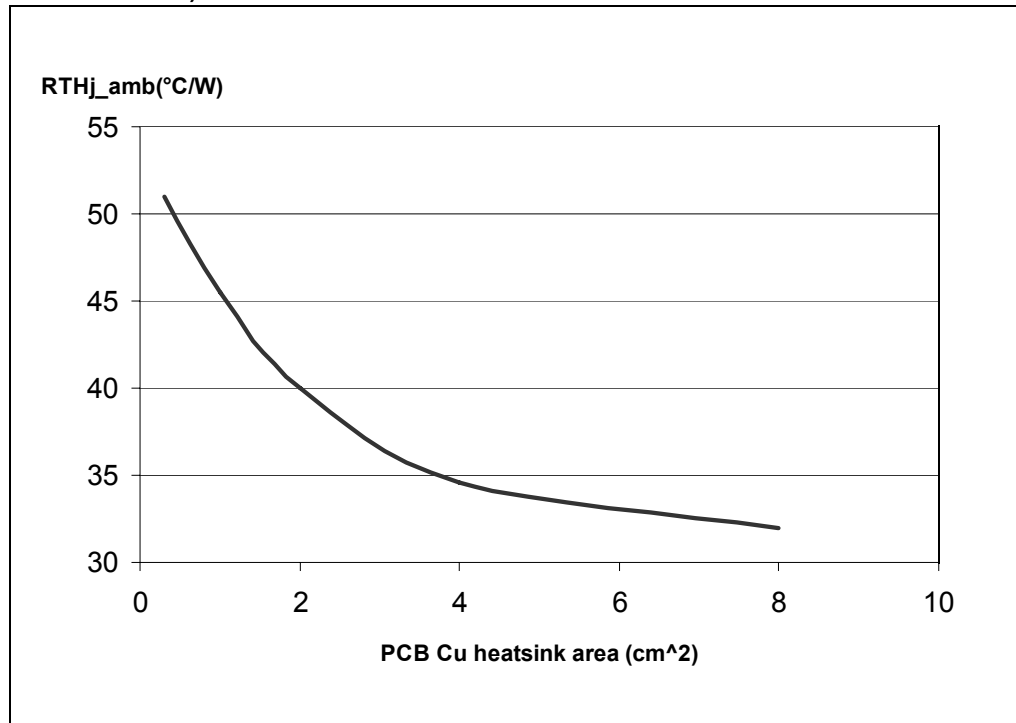
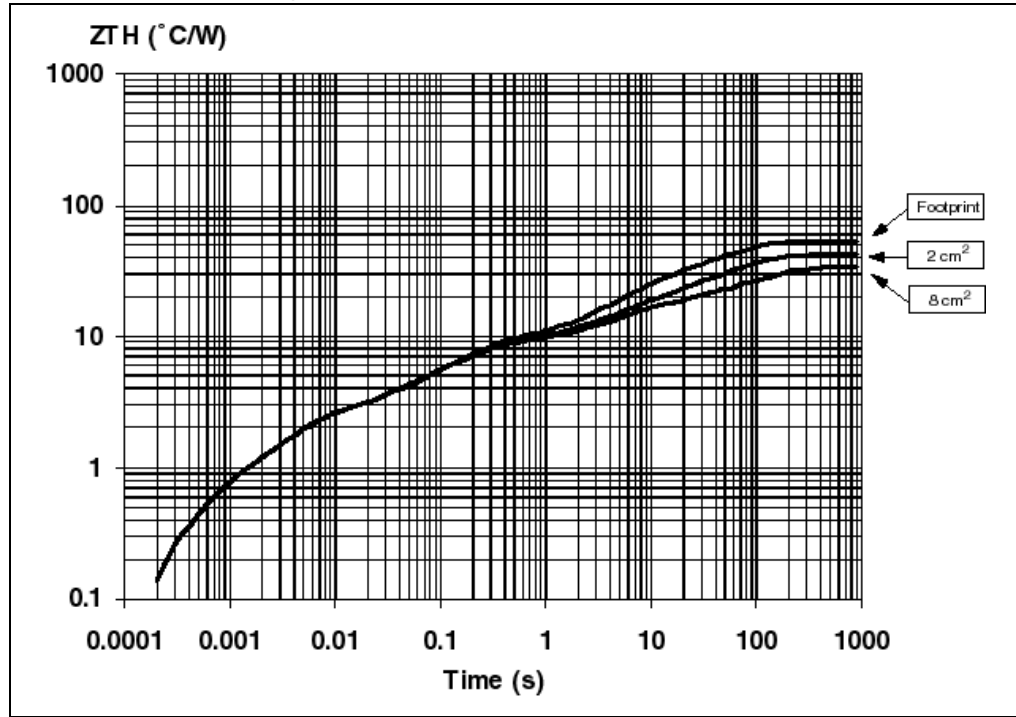


Figure 41. PowerSSO-24 thermal impedance junction ambient single pulse (one channel ON)

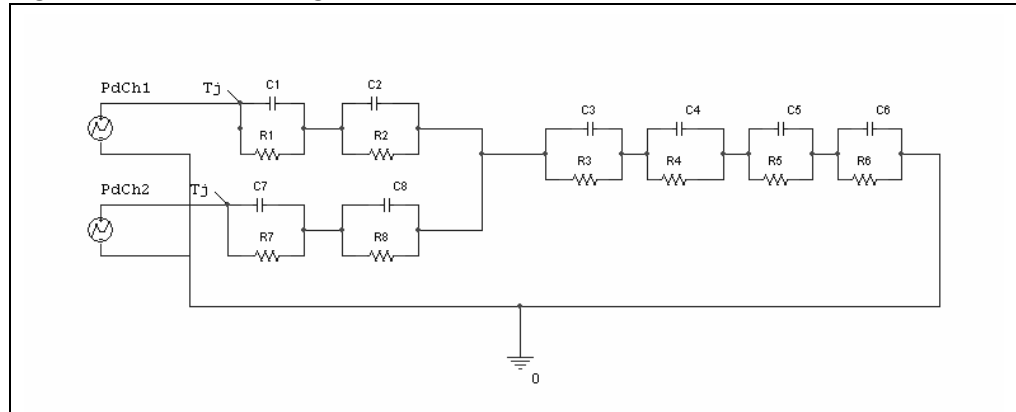


Equation 2: pulse calculation formula

$$Z_{TH\delta} = R_{TH} \cdot \delta + Z_{THtp}(1 - \delta)$$

where  $\delta = t_p/T$

Figure 42. Thermal fitting model of a double channel HSD in PowerSSO-24 (b)



b. The fitting model is a simplified thermal tool and is valid for transient evolutions where the embedded protections (power limitation or thermal cycling during thermal shutdown) are not triggered.

Table 16. Thermal parameters

| Area / island (cm <sup>2</sup> ) | Footprint | 2  | 8  |
|----------------------------------|-----------|----|----|
| R1= R7 (°C/W)                    | 0.4       |    |    |
| R2= R8 (°C/W)                    | 2         |    |    |
| R3 (°C/W)                        | 6         |    |    |
| R4 (°C/W)                        | 7.7       |    |    |
| R5 (°C/W)                        | 9         | 9  | 8  |
| R6 (°C/W)                        | 28        | 17 | 10 |
| C1= C7 (W.s/°C)                  | 0.001     |    |    |
| C2= C8 (W.s/°C)                  | 0.0022    |    |    |
| C3 (W.s/°C)                      | 0.025     |    |    |
| C4 (W.s/°C)                      | 0.75      |    |    |
| C5 (W.s/°C)                      | 1         | 4  | 9  |
| C6 (W.s/°C)                      | 2.2       | 5  | 17 |

## 5 Package and packing information

### 5.1 ECOPACK®

In order to meet environmental requirements, ST offers these devices in different grades of ECOPACK® packages, depending on their level of environmental compliance. ECOPACK® specifications, grade definitions and product status are available at: [www.st.com](http://www.st.com).

ECOPACK® is an ST trademark.

### 5.2 PowerSSO-12 package information

Figure 43. PowerSSO-12 package dimensions

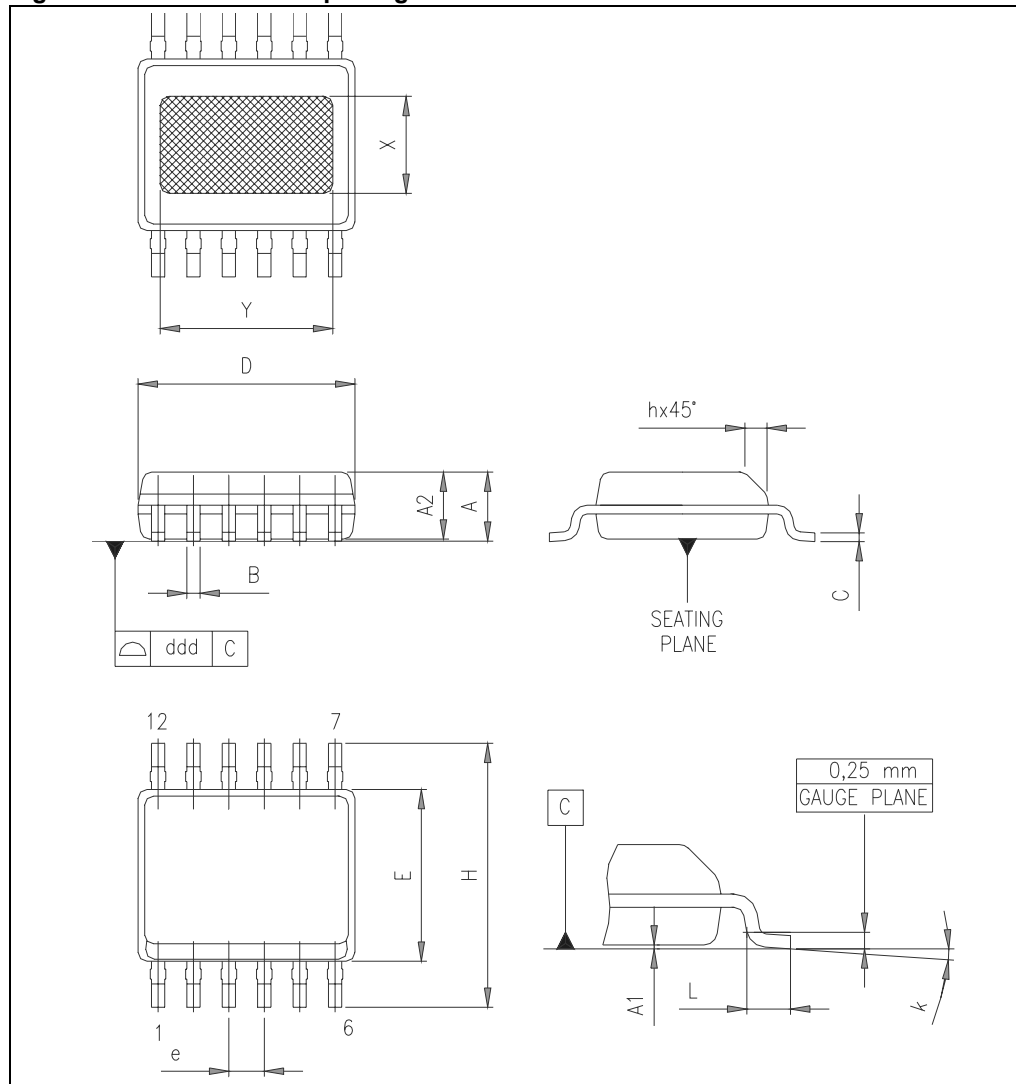


Table 17. PowerSSO-12 mechanical data

| Symbol | Millimeters |      |      |
|--------|-------------|------|------|
|        | Min.        | Typ. | Max. |
| A      | 1.25        |      | 1.62 |
| A1     | 0           |      | 0.1  |
| A2     | 1.10        |      | 1.65 |
| B      | 0.23        |      | 0.41 |
| C      | 0.19        |      | 0.25 |
| D      | 4.8         |      | 5.0  |
| E      | 3.8         |      | 4.0  |
| e      |             | 0.8  |      |
| H      | 5.8         |      | 6.2  |
| h      | 0.25        |      | 0.5  |
| L      | 0.4         |      | 1.27 |
| k      | 0°          |      | 8°   |
| X      | 1.9         |      | 2.5  |
| Y      | 3.6         |      | 4.2  |
| ddd    |             |      | 0.1  |

### 5.3 PowerSSO-24 package information

Figure 44. PowerSSO-24 package dimensions

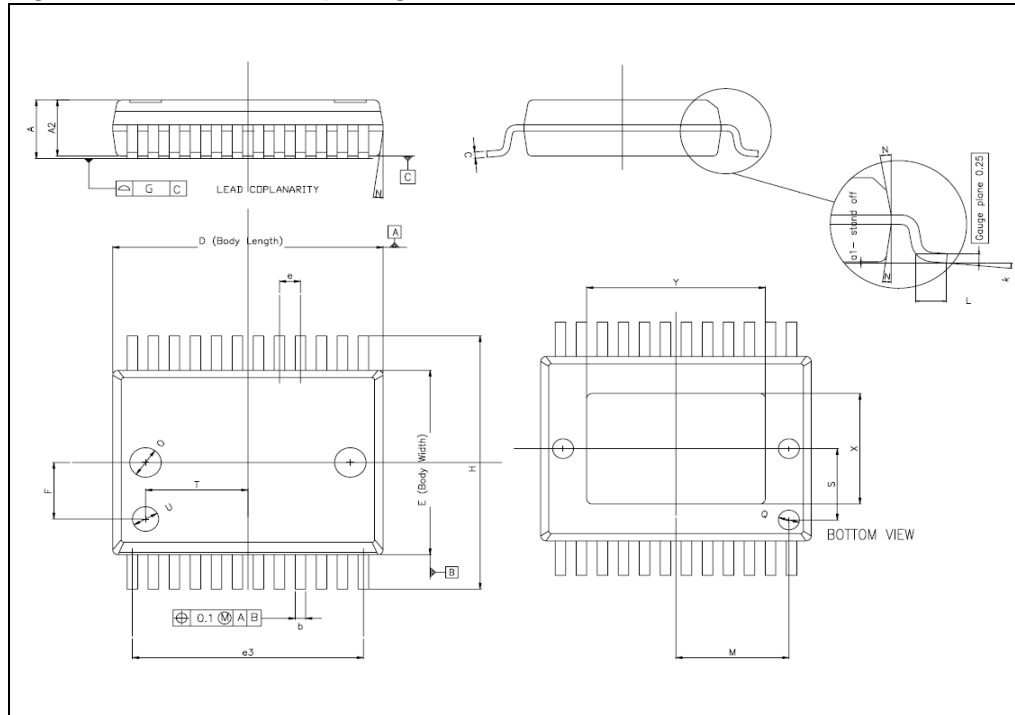


Table 18. PowerSSO-24 mechanical data<sup>(1) (2)</sup>

| Symbol           | Millimeters |      |       |
|------------------|-------------|------|-------|
|                  | Min.        | Typ. | Max.  |
| A                |             |      | 2.45  |
| A2               | 2.15        |      | 2.35  |
| a1               | 0           |      | 0.1   |
| b                | 0.33        |      | 0.51  |
| c                | 0.23        |      | 0.32  |
| D <sup>(3)</sup> | 10.10       |      | 10.50 |
| E <sup>(3)</sup> | 7.40        |      | 7.60  |
| e                |             | 0.8  |       |
| e3               |             | 8.8  |       |
| F                |             | 2.3  |       |
| G                |             |      | 0.1   |
| H                | 10.1        |      | 10.5  |
| h                |             |      | 0.4   |
| k                | 0°          |      | 8°    |
| L                | 0.55        |      | 0.85  |
| O                |             | 1.2  |       |
| Q                |             | 0.8  |       |
| S                |             | 2.9  |       |
| T                |             | 3.65 |       |
| U                |             | 1.0  |       |
| N                |             |      | 10°   |
| X                | 4.1         |      | 4.7   |
| Y                | 6.5         |      | 7.1   |

1. No intrusion allowed inwards the leads.
2. Flash or bleeds on exposed die pad shall not exceed 0.5 mm per side
3. "D and E" do not include mold Flash or protusions. Mold Flash or protusions shall not exceed 0.15 mm per side

### 5.4 PowerSSO-12 packing information

Figure 45. PowerSSO-12 tube shipment (no suffix)

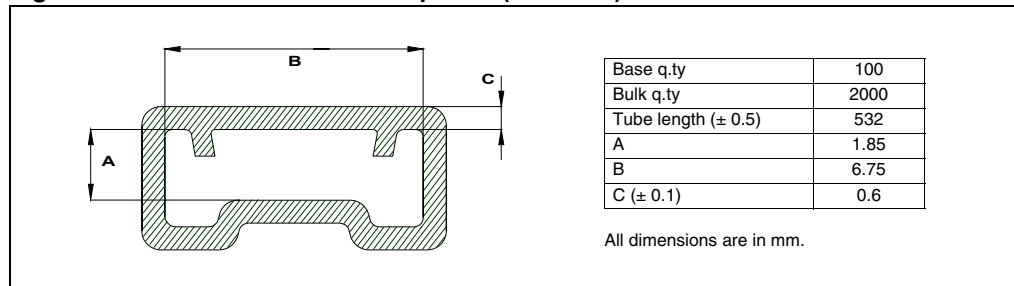
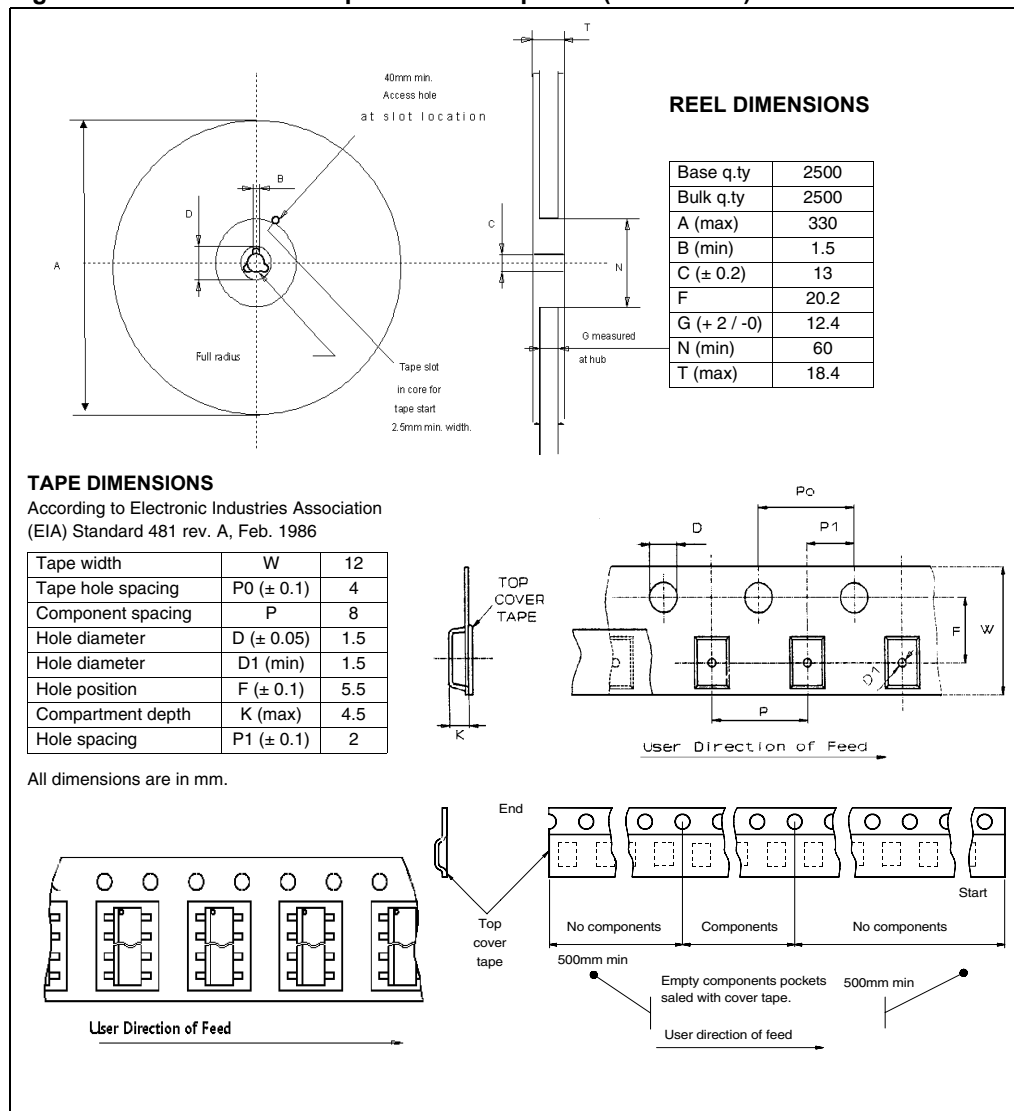


Figure 46. PowerSSO-12 tape and reel shipment (suffix "TR")





### 5.5 PowerSSO-24 packing information

Figure 47. PowerSSO-24 tube shipment (no suffix)

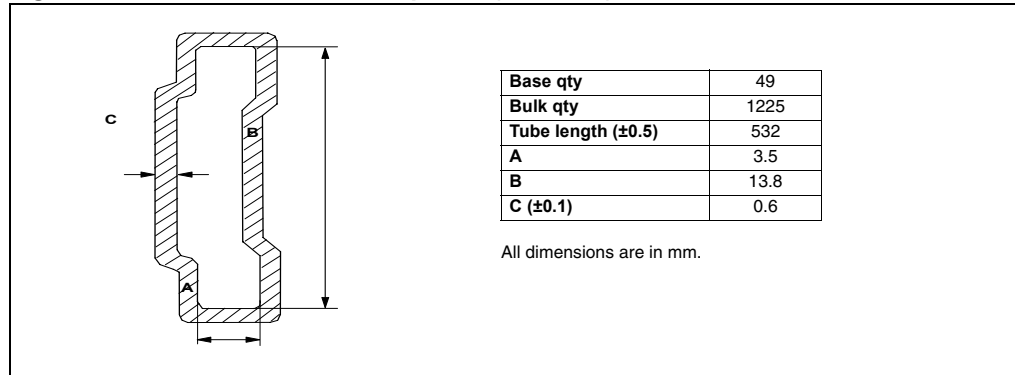
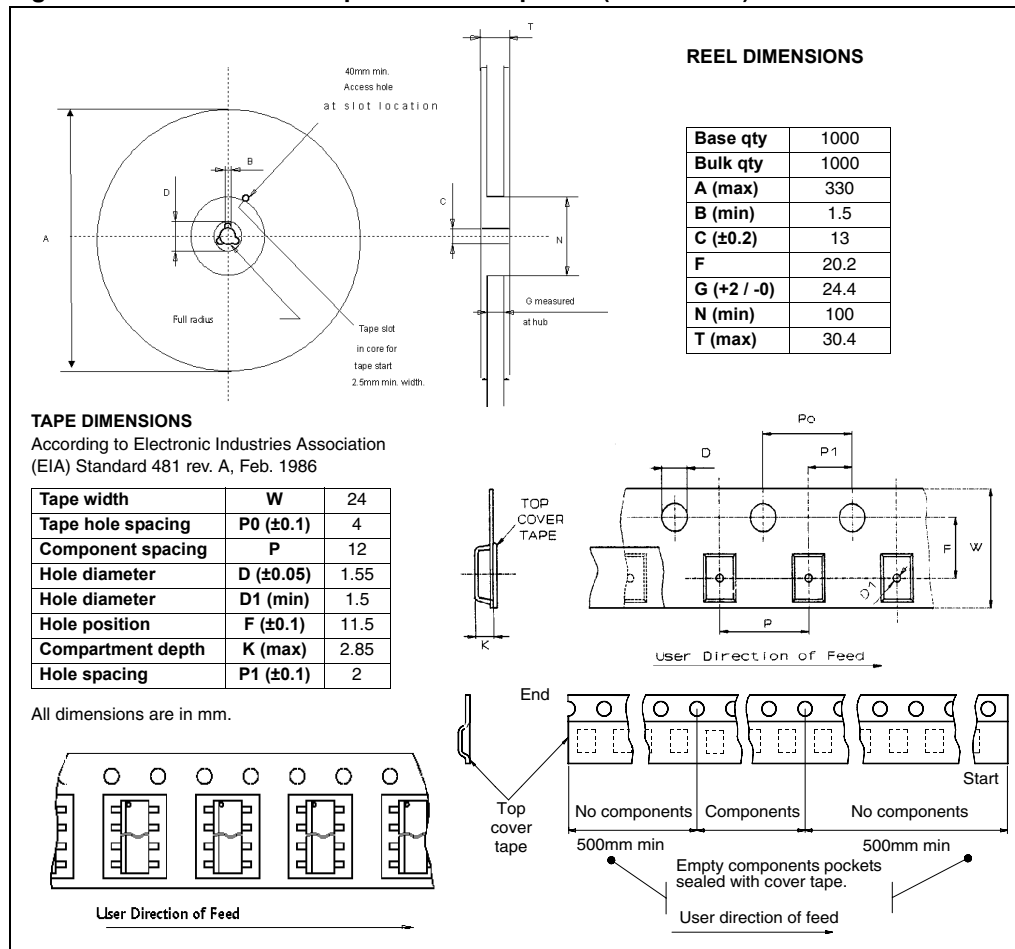


Figure 48. PowerSSO-24 tape and reel shipment (suffix "TR")



## 6 Order codes

Table 19. Device summary

| Package     | Order codes  |                |
|-------------|--------------|----------------|
|             | Tube         | Tape and reel  |
| PowerSSO-12 | VND5E050AJ-E | VND5E050AJTR-E |
| PowerSSO-24 | VND5E050AK-E | VND5E050AKTR-E |

## 7 Revision history

Table 20. Document revision history

| Date        | Revision | Changes  |
|-------------|----------|--|
| 01-Apr-2008 | 1        | Initial release.   |
| 05-Mar-2009 | 2        | Changed <a href="#">Table 18: PowerSSO-24 mechanical data</a>  |
| 19-Jun-2009 | 3        | <a href="#">Table 18: PowerSSO-24 mechanical data:</a><br>– Changed L (min) value from 0.6 to 0.55<br>– Changed L (max) value from 1 to 0.85 |
| 22-Jul-2009 | 4        | Updated <a href="#">Figure 44: PowerSSO-24 package dimensions</a> .  |

**Please Read Carefully:**

Information in this document is provided solely in connection with ST products. STMicroelectronics NV and its subsidiaries ("ST") reserve the right to make changes, corrections, modifications or improvements, to this document, and the products and services described herein at any time, without notice.

All ST products are sold pursuant to ST's terms and conditions of sale.

Purchasers are solely responsible for the choice, selection and use of the ST products and services described herein, and ST assumes no liability whatsoever relating to the choice, selection or use of the ST products and services described herein.

No license, express or implied, by estoppel or otherwise, to any intellectual property rights is granted under this document. If any part of this document refers to any third party products or services it shall not be deemed a license grant by ST for the use of such third party products or services, or any intellectual property contained therein or considered as a warranty covering the use in any manner whatsoever of such third party products or services or any intellectual property contained therein.

**UNLESS OTHERWISE SET FORTH IN ST'S TERMS AND CONDITIONS OF SALE ST DISCLAIMS ANY EXPRESS OR IMPLIED WARRANTY WITH RESPECT TO THE USE AND/OR SALE OF ST PRODUCTS INCLUDING WITHOUT LIMITATION IMPLIED WARRANTIES OF MERCHANTABILITY, FITNESS FOR A PARTICULAR PURPOSE (AND THEIR EQUIVALENTS UNDER THE LAWS OF ANY JURISDICTION), OR INFRINGEMENT OF ANY PATENT, COPYRIGHT OR OTHER INTELLECTUAL PROPERTY RIGHT.**

**UNLESS EXPRESSLY APPROVED IN WRITING BY AN AUTHORIZED ST REPRESENTATIVE, ST PRODUCTS ARE NOT RECOMMENDED, AUTHORIZED OR WARRANTED FOR USE IN MILITARY, AIR CRAFT, SPACE, LIFE SAVING, OR LIFE SUSTAINING APPLICATIONS, NOR IN PRODUCTS OR SYSTEMS WHERE FAILURE OR MALFUNCTION MAY RESULT IN PERSONAL INJURY, DEATH, OR SEVERE PROPERTY OR ENVIRONMENTAL DAMAGE. ST PRODUCTS WHICH ARE NOT SPECIFIED AS "AUTOMOTIVE GRADE" MAY ONLY BE USED IN AUTOMOTIVE APPLICATIONS AT USER'S OWN RISK.**

Resale of ST products with provisions different from the statements and/or technical features set forth in this document shall immediately void any warranty granted by ST for the ST product or service described herein and shall not create or extend in any manner whatsoever, any liability of ST.

ST and the ST logo are trademarks or registered trademarks of ST in various countries.

Information in this document supersedes and replaces all information previously supplied.

The ST logo is a registered trademark of STMicroelectronics. All other names are the property of their respective owners.

© 2009 STMicroelectronics - All rights reserved

STMicroelectronics group of companies

Australia - Belgium - Brazil - Canada - China - Czech Republic - Finland - France - Germany - Hong Kong - India - Israel - Italy - Japan - Malaysia - Malta - Morocco - Philippines - Singapore - Spain - Sweden - Switzerland - United Kingdom - United States of America

[www.st.com](http://www.st.com)