



MAX4990 Evaluation Kit

General Description

The MAX4990 evaluation kit (EV kit) provides a proven design to evaluate the MAX4990 high-voltage, $\pm 15\text{kV}$ ESD-protected electroluminescent lamp driver. Alligator clip leads contact a wide variety of standard electroluminescent lamps.

The MAX4990 EV kit printed-circuit board (PCB) comes with a MAX4990ETD+ installed.

Ordering Information

PART	TYPE
MAX4990EVKIT+	EV Kit

+Denotes lead-free and RoHS-compliant.

Features

- ◆ Lead-Free and RoHS-Compliant
- ◆ Proven PCB Layout
- ◆ Fully Assembled and Tested
- ◆ Alligator Clips Contact Wide Range of EL Displays
- ◆ Single 5V Supply or Split Battery/Digital Supplies
- ◆ Fixed or Adjustable Output Slew Rate, Brightness, Soft On/Soft Off
- ◆ Fixed or Adjustable f_{EL} and f_{sw}

Component List

DESIGNATION	QTY	DESCRIPTION
C1, C5	2	1 μF $\pm 20\%$, 25V X5R ceramic capacitors (0603) Murata GRM188R61E105K
C2	1	1000pF $\pm 10\%$, 25V C0G ceramic capacitor (0603) Murata GRM1885C1E102J
C3	1	68pF $\pm 5\%$, 50V C0G ceramic capacitor (0603) Murata GRM1885C1H680J
C4	1	0.1 μF $\pm 20\%$, 16V X7R ceramic capacitor (0603) Murata GRM188R71C104K
C6	1	3300pF $\pm 20\%$, 250V X5R ceramic capacitor (0805) TDK C2012X7R2E332M
C7	1	15000pF $\pm 20\%$, 50V X7R ceramic capacitor (0603) Murata GRM188R71H153K
C8	1	10 μF $\pm 20\%$, 25V X5R ceramic capacitor (1206) Murata GRM31CR61E106K
D1	1	Silicon diode (SOT23) (Top Mark: A82) Central Semiconductor CMPD2003 LEAD FREE
JU1, JU3	2	3-pin headers
JU2, JU4–JU8	6	2-pin headers
L1	1	220 μH inductor (3.8mm x 3.8mm) TOKO D312C1001BS-221M

DESIGNATION	QTY	DESCRIPTION
R1	1	100k Ω $\pm 5\%$ resistor (0603)
R2, R4	2	374k Ω $\pm 1\%$ resistors (0603)
R3	1	1M Ω $\pm 5\%$ resistor (0603)
R5	1	13.3k Ω $\pm 1\%$ resistor (0603)
R6	1	40.2k Ω $\pm 1\%$ resistor (0603)
R7	1	324k Ω $\pm 1\%$ resistor (0603)
U1	1	High-voltage EL panel driver (14-pin, 3mm x 3mm TDFN) Maxim MAX4990ETD+ (Top Mark: ADL)
U2	1	Maxim dual CMOS timer ICM75561SD+ (14-pin SO)
VA, VB	2	Alligator clip/banana connectors, red boot
VC1	1	7pF to 50pF variable capacitor (4mm x 4.5mm) Murata TZB4R500BA10R00
VR1, VR2	2	2M Ω top-adjust, 12-turn trimmers (2mm) Murata PV37W205C01B00
VR3	1	500k Ω top-adjust, 12-turn trimmer (2mm) Murata PV37W504C01B00
—	8	Shunts
—	2	Wires (VA, VB)
—	1	PCB: MAX4990 Evaluation Kit+

Evaluates: MAX4990

MAX4990 Evaluation Kit

Component Suppliers

SUPPLIER	PHONE	WEBSITE
Central Semiconductor Corp.	631-435-1110	www.centralsemi.com
Murata Mfg. Co., Ltd.	770-436-1300	www.murata.com
TDK Corp.	847-803-6100	www.component.tdk.com
TOKO America, Inc.	847-297-0070	www.tokoam.com

Note: Indicate that you are using the MAX4990 when contacting these component suppliers.

Quick Start

Procedure

Recommended Equipment

Before beginning, the following equipment is needed:

- MAX4990 EV kit
- A user-supplied electroluminescent (EL) lamp
- 5V DC power supply
- Oscilloscope to monitor VA and VB

The MAX4990 EV kit is fully assembled and tested. Follow the steps below to verify board operation:

- 1) Verify that all jumpers (JU1–JU8) are in their default positions, as shown in Table 1.
- 2) Connect the VA and VB alligator clip leads to the EL lamp. **Note: Under some conditions, the VA/VB output may be as high as 250Vp-p.**
- 3) Connect the oscilloscope to VA and VB. With math function, monitor VA-VB waveform.
- 4) Connect the 5V DC power supply between the VDD and GND pins.
- 5) Switch on the 5V power supply. Verify that the EL lamp illuminates.

Table 1. MAX4990 EV Kit Jumper Descriptions (JU1–JU8)

JUMPER	SIGNAL	SHUNT POSITION	FUNCTION
JU1	SLEW	1-2*	Set by R2
		2-3	Adjustable by VR1
JU2	EN	1-2*	EN = logic-high: normal operation
		Open	EN = logic-low: shutdown
JU3	DIM	1-2	Adjustable by VR2
		2-3*	Set by R4
JU4	EL	1-2	Adjustable by VR3
		Open*	Set by C2
JU5	SW	1-2	Adjustable by VC1
		Open*	Set by C3
JU6	VDD2	1-2*	Power supplied to U2 by VDD Note: VDD must be ≤ 5V
		Open	U1 must be powered independently
JU7	VDD1	1-2*	Power supplied to U1 by VDD Note: VDD must be ≤ 5V
		Open	U2 must be powered independently
JU8	VBATT	1-2*	VDD and VBATT connected together Note: VBATT must be ≤ 5V
		Open	VBATT supplies L1 independent of VDD

*Default position.

MAX4990 Evaluation Kit

Evaluates: MAX4990

Detailed Description of Hardware

The MAX4990 EV kit provides a proven layout for the MAX4990. Component selection, adjustment range, and typical operation values for a typical EL panel (1.5in x 2.5in area, nominal 15nF load capacitance) are described in the sections that follow.

Slew Rate (RSLEW)

Slew rate is set by the resistance on the SLEW pin (see Table 2). Many other adjustments depend upon the slew rate setting as a reference. The equation is:

$$\text{Slew Rate} \left(\frac{\text{V}}{100\mu\text{s}} \right) = \frac{11.25}{R_{\text{SLEW}}} (\text{M}\Omega)$$

The VR1 + R1 resistance can be adjusted to a specific value before applying power, by connecting an ohmmeter between JU1 pin 3 and GND. After adjusting VR1 to the desired value, disconnect the ohmmeter, install the JU1 shunt, and finally, apply power to the EV kit.

Output Voltage (RDIM, RSLEW)

The output voltage control interacts with the slew rate control (see Table 3). Peak-to-peak output voltage is set by the ratio of the resistances on the DIM and SLEW pins:

$$V_{\text{P-P}} = 200 \times \frac{R_{\text{DIM}}}{R_{\text{SLEW}}}, \text{ subject to the constraint } 70\text{V} \leq V_{\text{P-P}} \leq 250\text{V}$$

The VR2 resistance can be adjusted to a specific value before applying power, by connecting an ohmmeter between JU3 pin 1 and GND. After adjusting VR2 to the desired value, disconnect the ohmmeter, install the JU3 shunt, and finally, apply power to the EV kit.

Table 2. Slew Rate Configuration

JU1 SHUNT POSITION	VR1 TRIMMER	RSLEW (MΩ)	SLEW RATE (V/100μs)
1-2	—	R2 = 0.374	30
2-3	25% CW	VR1 + R1 = 0.560	20
	50% CW	VR1 + R1 = 0.997	12

CW = Clockwise. Approximate trimmer values provided for initial guidance only.

Table 3. Output Voltage Configuration

JU1 SHUNT POSITION	VR1 TRIMMER	RSLEW (MΩ)	JU3 SHUNT POSITION	VR2 TRIMMER	RDIM (MΩ)	VP-P (V)	
1-2	—	R2 = 0.374	2-3	—	R4 = 0.374	200	
			1-2	7% CW	VR2 = 0.152	90	
				13% CW	VR2 = 0.272	150	
2-3	25% CW	VR1 + R1 = 0.560	1-2	19% CW	VR2 = 0.386	200	
				2-3	—	R4 = 0.374	144
				1-2	10% CW	VR2 = 0.211	80
	25% CW	VR2 = 0.496	182				
	50% CW	VR1 + R1 = 0.997	1-2	36% CW	VR2 = 0.729	242	
				2-3	—	R4 = 0.374	86
				1-2	19% CW	VR2 = 0.383	86
					35% CW	VR2 = 0.700	150
					70% CW	VR2 = 1.398	260

CW = Clockwise. Approximate trimmer values provided for initial guidance only.

MAX4990 Evaluation Kit

Soft-Start (R_{DIM} , C_{DIM})

Subject to the constraint that $R_{DIM}/R_{SLEW} \leq 1.3$, the gradual turn-on/turn-off time is set by R_{DIM} and C_{DIM} (see Table 4) by the equations:

$$t_{ON} = 2.6 \times R_{DIM} \times C_{DIM}$$

$$t_{OFF} = 1.2 \times R_{DIM} \times C_{DIM}$$

Lamp Output Frequency (R_{SLEW} , C_{EL})

Lamp output frequency can be set by an external capacitor, C_{EL} (see Table 5):

$$f_{EL} = \frac{0.0817}{R_{SLEW} \times C_{EL}}$$

Table 4. Soft-Start Configuration

C_{DIM} (μ F)	JU3 SHUNT POSITION	VR2 TRIMMER	R_{DIM} ($M\Omega$)	t_{ON} (S)	t_{OFF} (S)
C1 = 1.0	2-3	—	R4 = 0.374	0.972	0.449
	1-2	7% CW	VR2 = 0.152	0.395	0.182
		10% CW	VR2 = 0.211	0.549	0.253
		18% CW	VR2 = 0.374	0.972	0.449
		25% CW	VR2 = 0.496	1.290	0.595
		35% CW	VR2 = 0.700	1.820	0.840
		50% CW	VR2 = 1.000	2.600	1.200
		70% CW	VR2 = 1.398	3.635	1.678

CW = Clockwise. Approximate trimmer values provided for initial guidance only.

Table 5. Lamp Output Frequency When JU4 = Open (Internal f_{EL})

C_{EL} (pF)	JU1 SHUNT POSITION	VR1 TRIMMER	R_{SLEW} ($M\Omega$)	f_{EL} (Hz)
C2 = 560	1-2	—	R2 = 0.374	390
	2-3	25% CW	VR1 + R1 = 0.560	260
		50% CW	VR1 + R1 = 0.997	150
C2 = 1000	1-2	—	R2 = 0.374	218
	2-3	25% CW	VR1 + R1 = 0.560	146
		50% CW	VR1 + R1 = 0.997	82

CW = Clockwise. Approximate trimmer values provided for initial guidance only.

MAX4990 Evaluation Kit

Evaluates: MAX4990

Lamp Output Frequency (External f_{EL} Signal)

When the f_{EL} pin is driven by an external clock, the lamp frequency is $f_{EL}/4$. The EV kit uses an ICM7556 dual CMOS timer (U2) to generate a 50% duty-cycle square wave. The VR3 value can be adjusted while power is applied (see Table 6).

Boost Converter Frequency (External f_{sw} Signal)

Boost converter switching frequency can be driven by an external clock. The EV kit uses an ICM7556 dual CMOS timer (U2) to generate a 90% duty-cycle square-wave pulse. The C_{sw} value can be adjusted while power is applied (see Table 8).

Boost Converter Frequency (R_{SLEW} , C_{sw})

ICM7556 square-wave frequency $f_{EL} = 1/(1.4 \times R \times C)$. The boost converter switching frequency can be set by an external capacitor, C_{sw} (see Table 7).

$$f_{sw} = \frac{3.61}{R_{SLEW} \times C_{sw}}$$

Table 6. Lamp Output Frequency When JU4 = Pins 1-2 (External f_{EL})

ICM7556 TIMING CAPACITOR (pF)	VR3 TRIMMER	ICM7556 TIMING RESISTORS (k Ω)	f_{EL} FROM ICM7556 (kHz)	LAMP FREQUENCY = $f_{EL}/4$ (Hz)
C7 = 15000	0% CW	VR3 + R5 = 513.3	0.0927	23
	50% CW	VR3 + R5 = 263.3	0.180	45
	100% CW	VR3 + R5 = 13.3	3.58	895

CW = Clockwise. Approximate trimmer values provided for initial guidance only.

Table 7. Boost Converter Frequency When JU5 = Open (Internal f_{sw})

C_{sw} (pF)	JU1 SHUNT POSITION	VR1 TRIMMER	R_{SLEW} (M Ω)	f_{sw} (kHz)
C3 = 68	1-2	—	R2 = 0.374	142
	2-3	25% CW	VR1 + R1 = 0.560	95
		50% CW	VR1 + R1 = 0.997	53

CW = Clockwise. Approximate trimmer values provided for initial guidance only.

Table 8. Boost Converter Frequency When JU5 = Pins 1-2 (External f_{sw})

VC1 TRIMMER	ICM7556 TIMING CAPACITOR (pF)	$f_{sw} = \text{ICM7556 SQUARE WAVE}$ $= 1.44/((R7 + 2 \times R6) \times (VC1))$ (kHz)
Minimum: 0°	VC1 = 7 + 25	112
Center: 90° or 270°	VC1 = 30 + 25	60
Maximum: 180°	(50 ≤ VC1 ≤ 100) + 25	33

Note: f_{sw} square wave has fixed duty cycle = $(R6 + R7)/(R7 + 2 \times R6) = 90\%$. Approximate trimmer values provided for initial guidance only.

MAX4990 Evaluation Kit

Evaluates: MAX4990

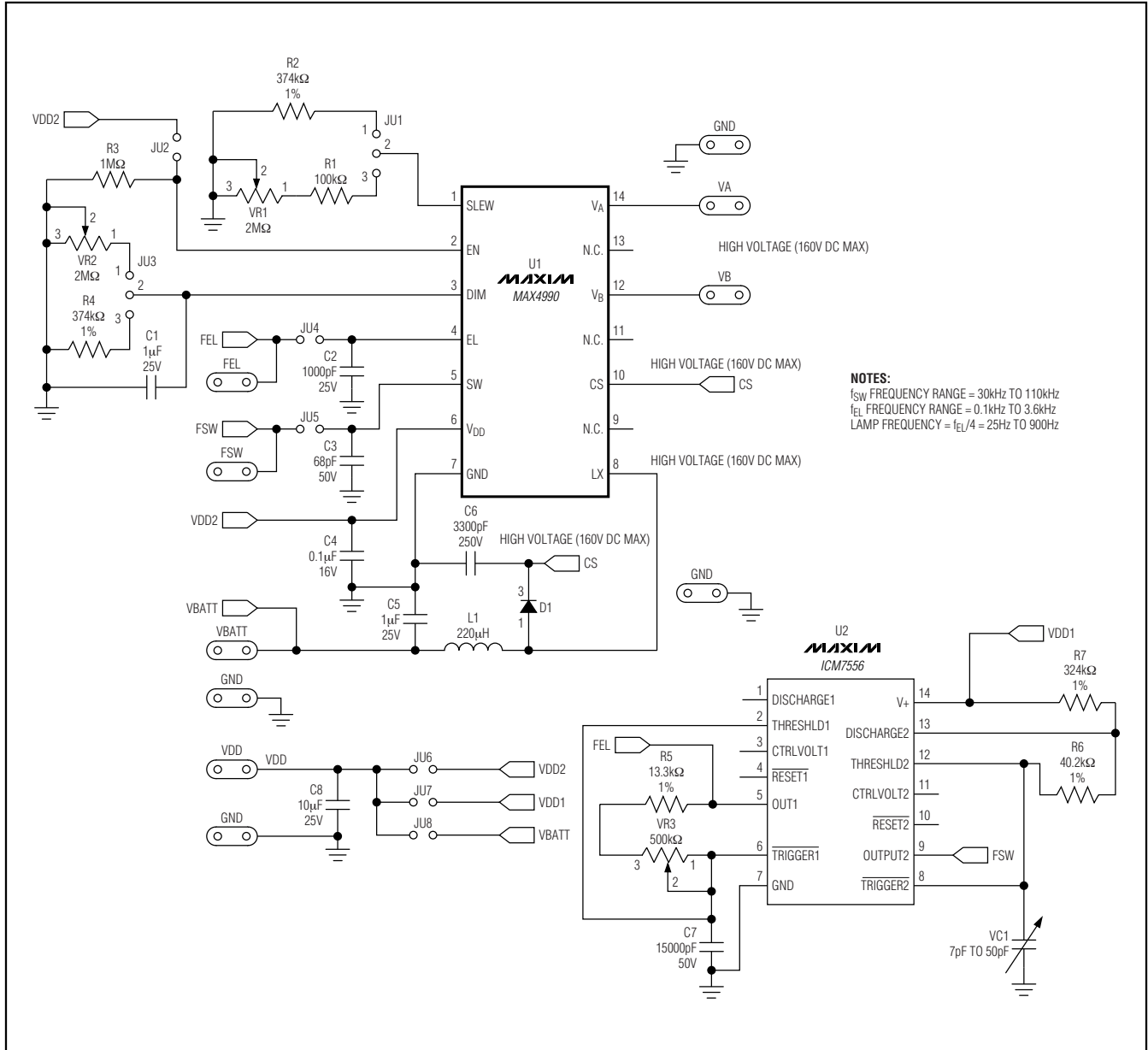


Figure 1. MAX4990 EV Kit Schematic

MAX4990 Evaluation Kit

Evaluates: MAX4990

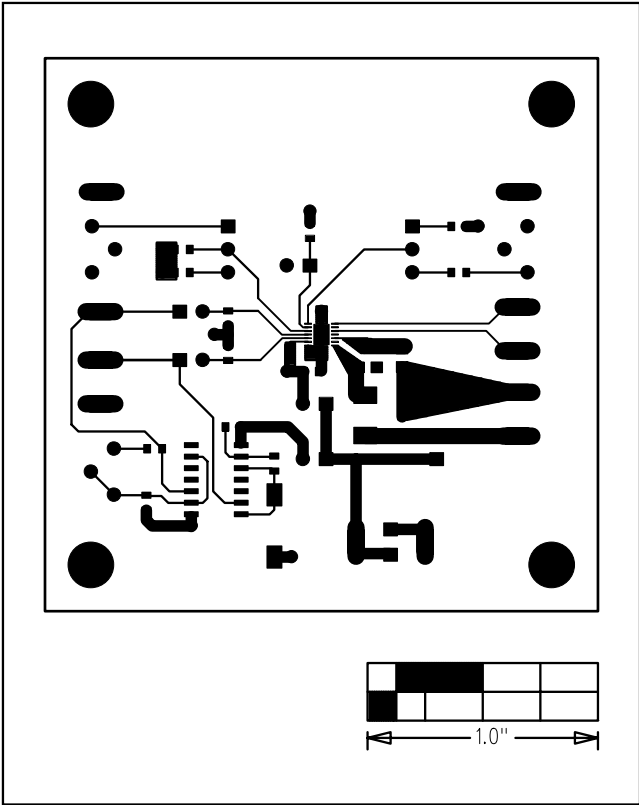
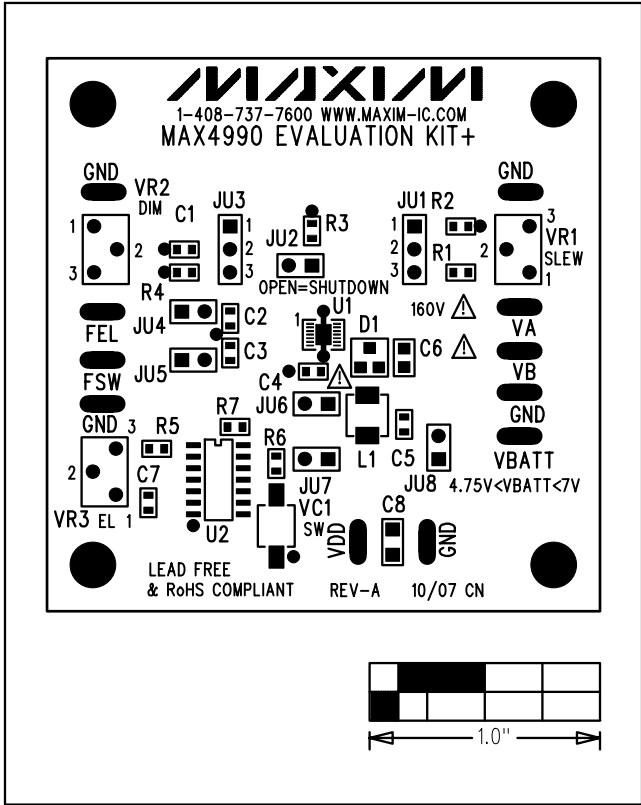


Figure 2. MAX4990 EV Kit Component Placement Guide—Component Side

Figure 3. MAX4990 EV Kit PCB Layout—Component Side

MAX4990 Evaluation Kit

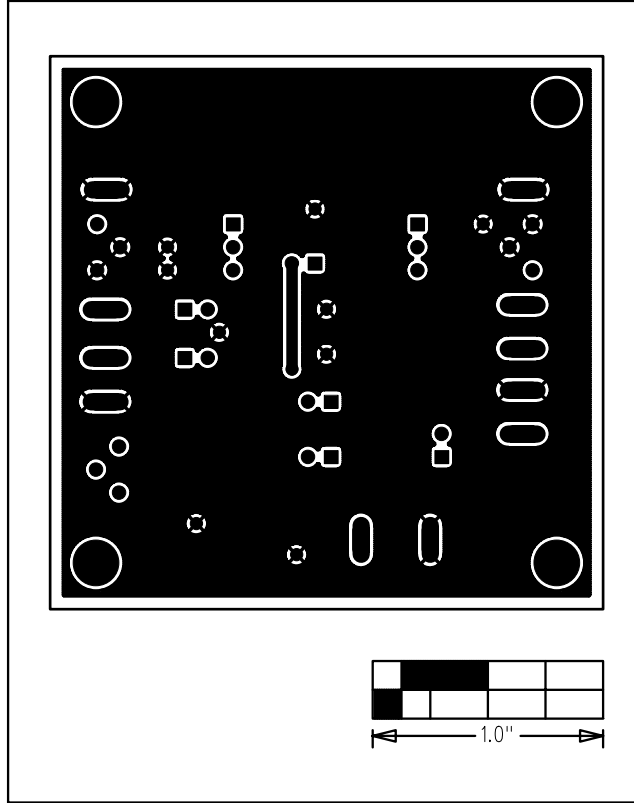


Figure 4. MAX4990 EV Kit PCB Layout—Solder Side

Maxim cannot assume responsibility for use of any circuitry other than circuitry entirely embodied in a Maxim product. No circuit patent licenses are implied. Maxim reserves the right to change the circuitry and specifications without notice at any time.

8 _____ **Maxim Integrated Products, 120 San Gabriel Drive, Sunnyvale, CA 94086 408-737-7600**

© 2007 Maxim Integrated Products

MAXIM is a registered trademark of Maxim Integrated Products, Inc.