

MM5481 LED Display Driver

General Description

The 5481 is a monolithic MOS integrated circuit utilizing N-channel metal gate low threshold, enhancement mode and ion-implanted depletion mode devices. It utilizes the MM5450 die packaged in a 20-pin package making it ideal for a 2 digit display. The MM5481 is designed to drive common anode-separate cathode LED displays. A single pin controls the LED display brightness by setting a reference current through a variable resistor connected either to V_{DD} or to a separate supply of 11V maximum.

Features

- Continuous brightness control
- Serial data input

- No load signal required
- Data enable
- Wide power supply operation
- TTL compatibility
- Alphanumeric capability
- 2 digit LED driver

Applications

- COPS or microprocessor displays
- Industrial control indicator
- Relay driver
- Instrumentation readouts

Block and Connection Diagrams

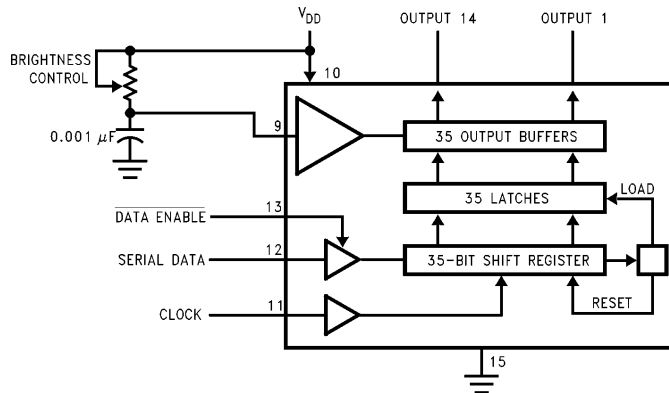
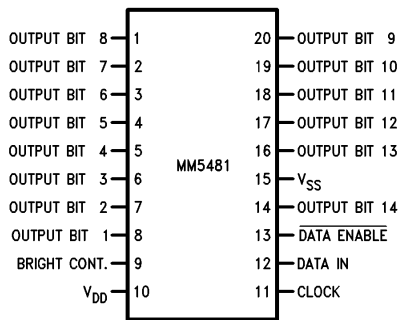


FIGURE 1

TL/F/6139-1

Dual-In-Line Package



Top View
FIGURE 2

TL/F/6139-2

Order Number MM5481N
See NS Package Number N20A

Absolute Maximum Ratings

If Military/Aerospace specified devices are required, please contact the National Semiconductor Sales Office/Distributors for availability and specifications.

Voltage at Any Pin	V_{SS} to $V_{SS} + 12V$
Storage Temperature	$-65^{\circ}C$ to $+150^{\circ}C$
Power Dissipation at $25^{\circ}C$	
Molded DIP Package, Board Mount	2W*
Molded DIP Package, Socket Mount	1.8W**

Junction Temperature	$+150^{\circ}C$
Lead Temperature (Soldering, 10 sec.)	$300^{\circ}C$
*Molded DIP Package, Board Mount, $\theta_{JA} = 61^{\circ}C/W$, Derate 16.4 mW/ $^{\circ}C$ above $25^{\circ}C$.	
**Molded DIP Package, Socket Mount, $\theta_{JA} = 67^{\circ}C/W$, Derate 14.9 mW/ $^{\circ}C$ above $25^{\circ}C$.	

Electrical Characteristics

$T_A = -25^{\circ}C$ to $+85^{\circ}C$, $V_{DD} = 4.75V$ to $11.0V$, $V_{SS} = 0V$ unless otherwise specified

Symbol	Parameter	Conditions	Min	Typ	Max	Units
V_{DD}	Power Supply		4.75		11	V
I_{DD}	Power Supply Current	Excluding Output Loads			7	mA
V_{IL}	Input Voltages Logical "0" Level	$\pm 10 \mu A$ Input Bias	-0.3		0.8	V
V_{IH}	Logical "1" Level	$4.75 \leq V_{DD} \leq 5.25$	2.2		V_{DD}	V
		$V_{DD} > 5.25$	$V_{DD} - 2$		V_{DD}	V
I_{BR}	Brightness Input Current (Note 2)		0		0.75	mA
I_{OH}	Output Sink Current (Note 3) Segment OFF	$V_{OUT} = 3.0V$			10.0	μA
I_{OL}	Segment ON	$V_{OUT} = 1V$ (Note 4)				
		Brightness Input = $0 \mu A$	0		10.0	μA
		Brightness Input = $100 \mu A$	2.0	2.7	4.0	mA
		Brightness Input = $750 \mu A$	15.0		25.0	mA
V_{IBR}	Brightness Input Voltage (Pin 9)	Input Current = $750 \mu A$	3.0		4.3	V
OM	Output Matching (Note 1)				± 20	%

AC Electrical Characteristics $T_A = -25^{\circ}C$ to $+85^{\circ}C$, $V_{DD} = 5V \pm 0.5V$

Symbol	Parameter	Conditions	Min	Typ	Max	Units
f_C	Clock Input Frequency	(Notes 5 and 6)	DC		500	kHz
t_h	High Time		950			ns
t_l	Low Time		950			ns
t_{DS}	Data Input Set-Up Time		300			ns
			300			ns
t_{DES}	Data Enable Input Set-Up Time		100			ns

Note 1: Output matching is calculated as the percent variation from $I_{MAX} + I_{MIN}/2$.

Note 2: With a fixed resistor on the brightness input pin some variation in brightness will occur from one device to another. Maximum brightness input current can be 2 mA as long as Note 3 and junction temperature equation are complied with.

Note 3: Absolute maximum for each output should be limited to 40 mA.

Note 4: The V_{OUT} voltage should be regulated by the user.

Note 5: AC input waveform specification for test purpose: $t_r \leq 20$ ns, $t_f \leq 20$ ns, $f = 500$ kHz, 50% \pm 10% duty cycle.

Note 6: Clock input rise and fall times must not exceed 300 ns.

Functional Description

The MM5481 uses the MM5450 die which is packaged to operate 2-digit alphanumeric displays with minimal interference to the display and the data source. Serial data transfer from the data source to the display driver is accomplished with 2 signals, serial data and clock. Using a format of a leading "1" followed by the 35 data bits allows data transfer without an additional load signal. The 35 data bits are latched after the 36th bit is complete, thus providing non-multiplexed, direct drive to the display. Outputs change only if the serial data bits differ from the previous time. Display brightness is determined by control of the output current for LED displays. A 0.001 μ F capacitor should be connected to brightness control, pin 9, to prevent possible oscillations.

A block diagram is shown in *Figure 1*. The output current is typically 20 times greater than the current into pin 9, which is set by an external variable resistor. There is an internal limiting resistor of 400 Ω nominal value.

Figure 4 shows the input data format. A start bit of logical "1" precedes the 35 bits of data. At the positive-going-edge of the 36th clock a LOAD signal is generated synchronously with the high state of the clock, which loads the 35 bits of the shift registers into the latches. At the low state of the clock a RESET signal is generated which clears all the shift registers for the next set of data. The shift registers are a static master-slave configuration. There is no clear for the master portion of the first shift register, thus allowing continuous operation.

There must be a complete set of 36 clocks (high/low edges) or the shift registers will not clear.

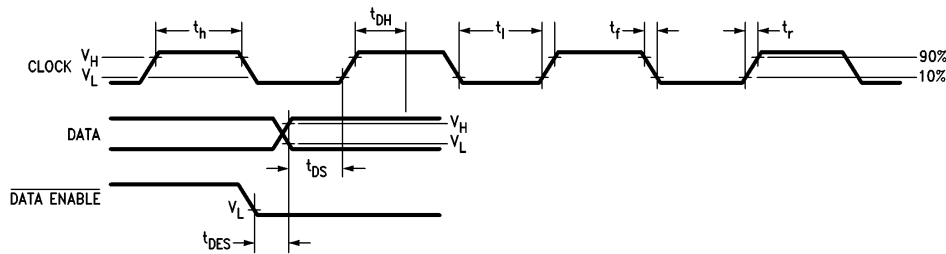


FIGURE 3. Timing

TL/F/6139-3

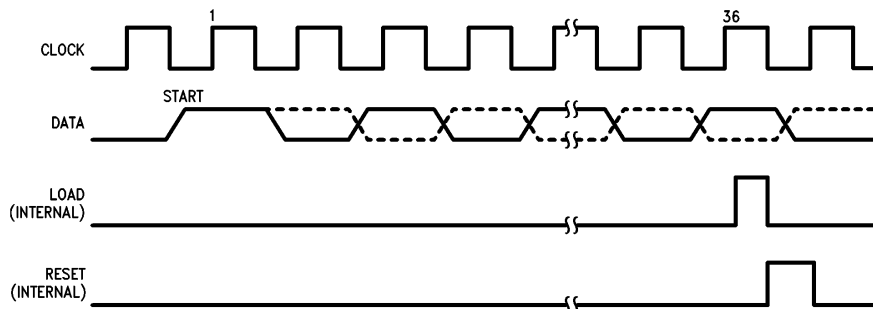


FIGURE 4. Input Data Format

TL/F/6139-4

Data Enable

This active low signal enables the data input pin. If high, the shift register sees zeroes clocked in.

To blank the display at any time, (i.e., power on), clock in 36 or more zeroes, followed by a 'one' (start bit), followed by 36 or more zeroes.

Figure 5 shows the Output Data Format for the MM5481. Because it uses only 14 of the possible 34 outputs, 20 of the bits are 'Don't Cares'. Note that only alternate groups of 4 outputs are used.

Figure 3 shows the timing relationships between data, clock, and data enable. A maximum clock frequency of 0.5 MHz is assumed.

For applications where a lesser number of outputs are used, it is possible to either increase the current per output, or operate the part at higher than 1V V_{OUT} . The following equation can be used for calculations.

$T_j = (V_{OUT}) (I_{LED}) (\text{No. of segments}) (\theta_{JA}) + T_A$
where:

T_j = junction temperature, 150°C max.

V_{OUT} = the voltage at the LED driver outputs

I_{LED} = the LED current

θ_{JA} = thermal coefficient of the package

T_A = ambient temperature

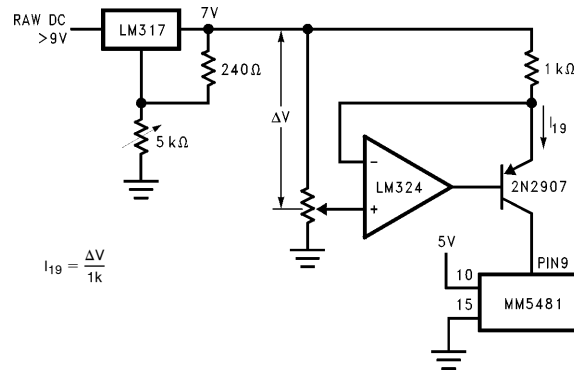
θ_{JA} (Socket Mount) = 67°C/W

θ_{JA} (Board Mount) = 61°C/W

Functional Description (Continued)

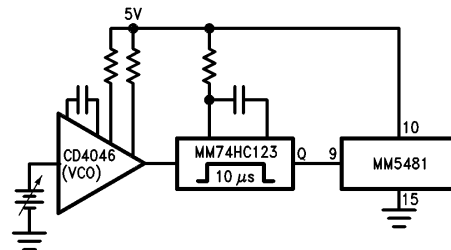
START	1	2	3	4	5	6	7	8	9	10	11	12	13	14	15	16	17	18	19	20	21	22	23	24	25	26	27	28	29	30	31	32	33	34	5450
START	X	X	X	X	1	2	3	4	X	X	X	X	5	6	7	8	X	X	X	X	9	10	11	12	X	X	X	X	13	14	X	X	X	X	5481

FIGURE 5. Output Data Format



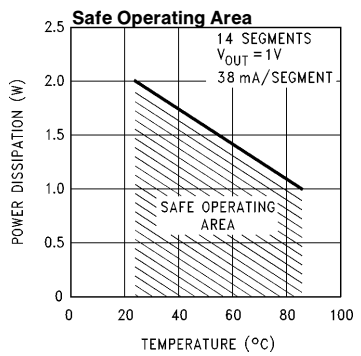
TL/F/6139-5

FIGURE 6. Typical Application of Constant Current Brightness Control



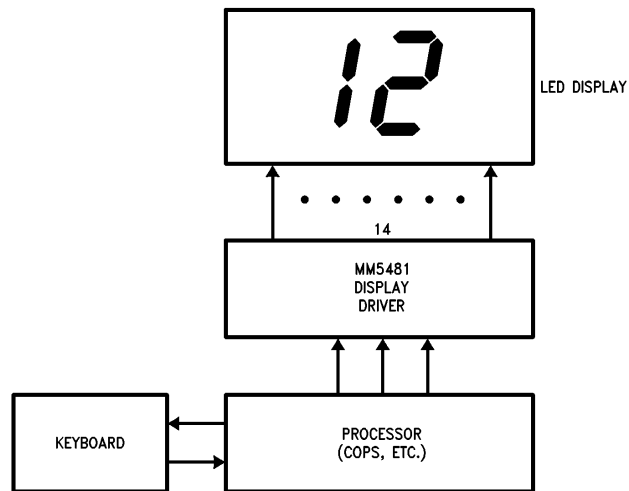
TL/F/6139-6

FIGURE 7. Brightness Control Varying the Duty Cycle



TL/F/6139-7

Basic Electronically Tuned Television System

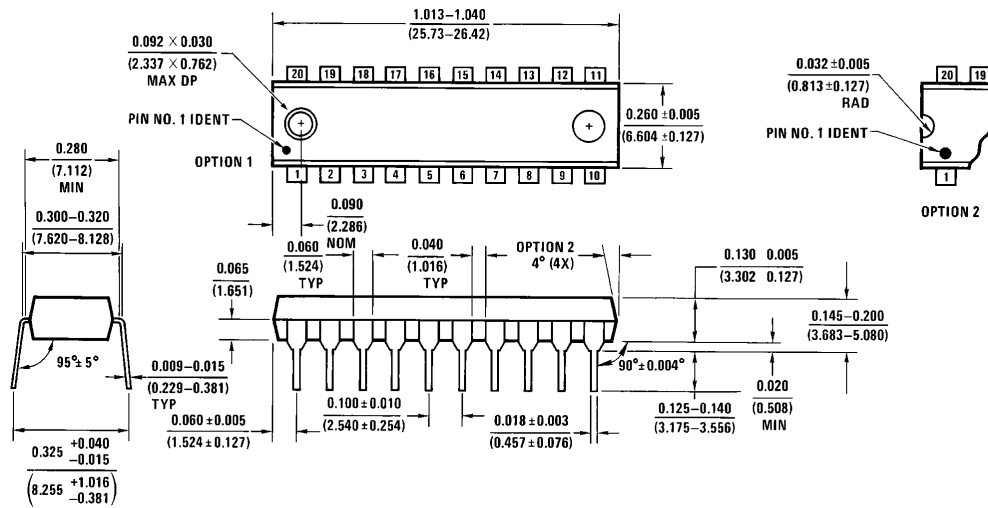


TL/F/6139-8



MM5481 LED Display Driver

Physical Dimensions inches (millimeters)



N20A (REV G)

Molded Dual-In-Line Package
Order Number MM5481N
NS Package Number N20A

LIFE SUPPORT POLICY

NATIONAL'S PRODUCTS ARE NOT AUTHORIZED FOR USE AS CRITICAL COMPONENTS IN LIFE SUPPORT DEVICES OR SYSTEMS WITHOUT THE EXPRESS WRITTEN APPROVAL OF THE PRESIDENT OF NATIONAL SEMICONDUCTOR CORPORATION. As used herein:

1. Life support devices or systems are devices or systems which, (a) are intended for surgical implant into the body, or (b) support or sustain life, and whose failure to perform, when properly used in accordance with instructions for use provided in the labeling, can be reasonably expected to result in a significant injury to the user.
2. A critical component is any component of a life support device or system whose failure to perform can be reasonably expected to cause the failure of the life support device or system, or to affect its safety or effectiveness.



National Semiconductor Corporation
 1111 West Bardin Road
 Arlington, TX 76017
 Tel: 1(800) 272-9959
 Fax: 1(800) 737-7018

National Semiconductor Europe
 Fax: (+49) 0-180-530 85 86
 Email: cnjwge@tevm2.nsc.com
 Deutsch Tel: (+49) 0-180-530 85 85
 English Tel: (+49) 0-180-532 78 32
 Français Tel: (+49) 0-180-532 93 58
 Italiano Tel: (+49) 0-180-534 16 80

National Semiconductor Hong Kong Ltd.
 19th Floor, Straight Block,
 Ocean Centre, 5 Canton Rd.
 Tsimshatsui, Kowloon
 Hong Kong
 Tel: (852) 2737-1600
 Fax: (852) 2736-9960

National Semiconductor Japan Ltd.
 Tel: 81-043-299-2309
 Fax: 81-043-299-2408

National does not assume any responsibility for use of any circuitry described, no circuit patent licenses are implied and National reserves the right at any time without notice to change said circuitry and specifications.