

**EVALUATION KIT MANUAL  
FOLLOWS DATA SHEET**

# MAXIM

## Switch-Mode Lithium-Ion Battery-Charger

**MAX745**

### General Description

The MAX745 provides all functions necessary for charging lithium-ion (Li+) battery packs. It provides a regulated charging current of up to 4A without getting hot, and a regulated voltage with only  $\pm 0.75\%$  total error at the battery terminals. It uses low-cost, 1% resistors to set the output voltage, and a low-cost N-channel MOSFET as the power switch.

The MAX745 regulates the voltage set point and charging current using two loops that work together to transition smoothly between voltage and current regulation. The per-cell battery voltage regulation limit is set between 4V and 4.4V using standard 1% resistors, and then the number of cells is set from 1 to 4 by pin-strapping. Total output voltage error is less than  $\pm 0.75\%$ .

For a similar device with an SMBus™ microcontroller interface and the ability to charge NiCd and NiMH cells, refer to the MAX1647 and MAX1648. For a low-cost Li+ charger using a linear-regulator control scheme, refer to the MAX846A.

### Applications

- Li+ Battery Packs
- Desktop Cradle Chargers
- Cellular Phones
- Notebook Computers
- Hand-Held Instruments

### Features

- ◆ Charges 1 to 4 Li+ Battery Cells
- ◆  $\pm 0.75\%$  Voltage-Regulation Accuracy Using 1% Resistors
- ◆ Provides up to 4A without Excessive Heating
- ◆ 90% Efficient
- ◆ Uses Low-Cost Set Resistors and N-Channel Switch
- ◆ Up to 24V Input
- ◆ Up to 18V Maximum Battery Voltage
- ◆ 300kHz Pulse-Width Modulated (PWM) Operation Low-Noise, Small Components
- ◆ Stand-Alone Operation—No Microcontroller Needed

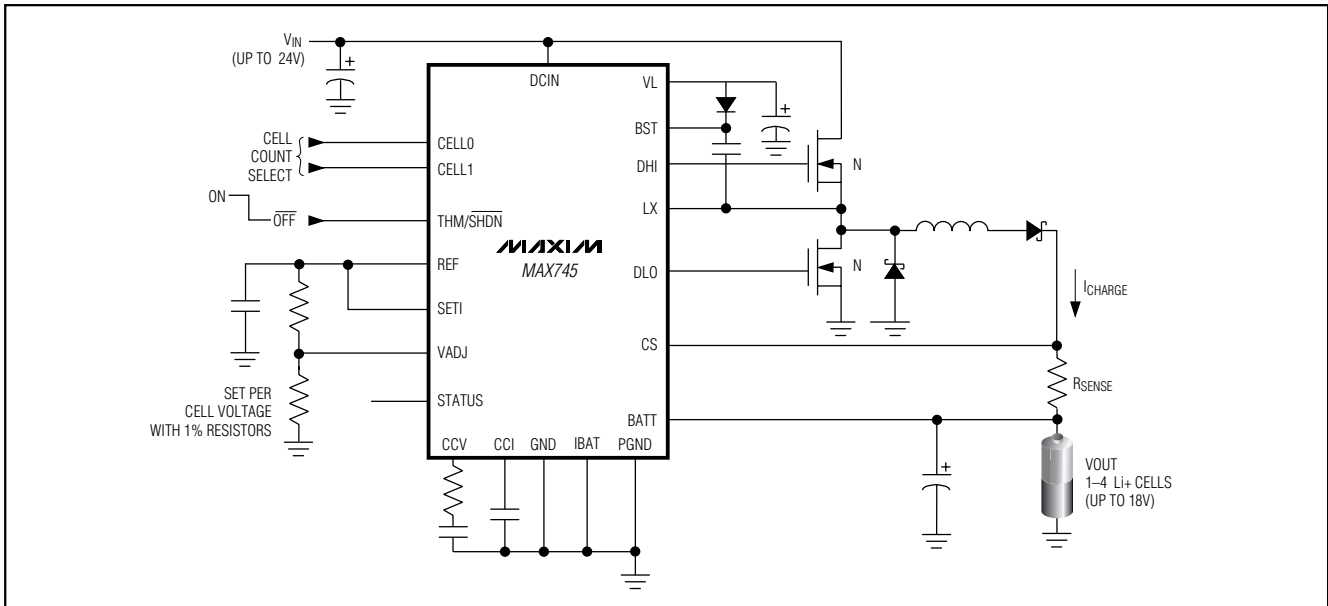
### Ordering Information

PART	TEMP RANGE	PIN-PACKAGE
MAX745C/D	0°C to +70°C	Dice*
MAX745EAP	40°C to +85°C	20 SSOP

\*Dice are tested at  $T_A = +25^\circ\text{C}$ .

Pin Configuration appears at end of data sheet.

### Typical Operating Circuit



SMBus is a trademark of Intel Corp.

**MAXIM**

Maxim Integrated Products 1

**For pricing, delivery, and ordering information, please contact Maxim/Dallas Direct! at 1-888-629-4642, or visit Maxim's website at [www.maxim-ic.com](http://www.maxim-ic.com).**

# Switch-Mode Lithium-Ion Battery Charger

## ABSOLUTE MAXIMUM RATINGS

DCIN to GND .....	-0.3V to 26V	BATT, CS to GND .....	-0.3V to 20V
BST, DHI to GND .....	-0.3V to 30V	PGND to GND .....	-0.3V to 0.3V
BST to LX .....	-0.3V to 6V	VL Current .....	50mA
DHI to LX .....	(LX - 0.3V) to (BST + 0.3V)	Continuous Power Dissipation (T <sub>A</sub> = +70°C)	
LX to GND .....	-0.3V to (DCIN + 0.3V)	SSOP (derate 8.00mW/°C above +70°C) .....	640mW
VL to GND .....	-0.3V to 6V	Operating Temperature Range .....	-40°C to +85°C
CELL0, CELL1, IBAT, STATUS, CCI, CCV, REF, SET1,		Storage Temperature .....	-60°C to +150°C
VADJ, DLO, THM/SHDN to GND .....	-0.3V to (VL + 0.3V)	Lead Temperature (soldering, 10s) .....	+300°C

Stresses beyond those listed under "Absolute Maximum Ratings" may cause permanent damage to the device. These are stress ratings only, and functional operation of the device at these or any other conditions beyond those indicated in the operational sections of the specifications is not implied. Exposure to absolute maximum rating conditions for extended periods may affect device reliability.

## ELECTRICAL CHARACTERISTICS

(V<sub>DCIN</sub> = 18V, V<sub>BATT</sub> = 8.4V, T<sub>A</sub> = 0°C to +85°C. Typical values are at T<sub>A</sub> = +25°C, unless otherwise noted.)

PARAMETER	CONDITIONS	MIN	TYP	MAX	UNITS
<b>SUPPLY AND REFERENCE</b>					
DCIN Input Voltage Range		6		24	V
DCIN Quiescent Supply Current	6.0V < V <sub>DCIN</sub> < 24V, logic inputs = VL		4	6	mA
VL Output Voltage	6.0V < V <sub>DCIN</sub> < 24V, no load	5.15	5.40	5.65	V
REF Output Voltage	T <sub>A</sub> = +25°C	4.17	4.2	4.23	V
	6.0V < V <sub>DCIN</sub> < 24V	4.16	4.2	4.24	
REF Output Load Regulation	0 < I <sub>REF</sub> < 1mA		10	20	mV/mA
<b>SWITCHING REGULATOR</b>					
Oscillator Frequency		270	300	330	kHz
DHI Maximum Duty Cycle		89	93		%
DHI On-Resistance	Output high or low		4	7	Ω
DLO On-Resistance	Output high or low		6	14	Ω
BATT Input Current	VL < 3.2V, V <sub>BATT</sub> = 12V			5	μA
	VL > 5.15V, V <sub>BATT</sub> = 12V			500	
CS Input Current	VL < 3.2V, V <sub>CS</sub> = 12V			5	μA
	VL > 5.15V, V <sub>CS</sub> = 12V			400	
BATT, CS Input Voltage Range	4V < V <sub>BATT</sub> < 16V	0		19	V
CS to BATT Offset Voltage	(Note 1)		±1.5		mV
CS to BATT Current-Sense Voltage	SETI = V <sub>REF</sub> (full scale)	170	185	205	mV
	SETI = 400mV	14	18	22	
Absolute Voltage Accuracy	Not including VADJ resistor tolerance	-0.65		+0.65	%
	With 1% tolerance VADJ resistors	-0.75		+0.75	

# Switch-Mode Lithium-Ion Battery Charger

MAX745

## ELECTRICAL CHARACTERISTICS (continued)

( $V_{DCIN} = 18V$ ,  $V_{BATT} = 8.4V$ ,  $T_A = 0^{\circ}C$  to  $+85^{\circ}C$ . Typical values are at  $T_A = +25^{\circ}C$ , unless otherwise noted.)

PARAMETER	CONDITIONS	MIN	TYP	MAX	UNITS
<b>ERROR AMPLIFIERS</b>					
GMV Amplifier Transconductance			800		$\mu A/V$
GMI Amplifier Transconductance			200		$\mu A/V$
GMV Amplifier Output Current			$\pm 130$		$\mu A$
GMI Amplifier Output Current			$\pm 320$		$\mu A$
CCI Clamp Voltage with Respect to CCV	$1.1V < V_{CCV} < 3.5V$	25	80	200	mV
CCV Clamp Voltage with Respect to CCI	$1.1V < V_{CCI} < 3.5V$	25	80	200	mV
<b>CONTROL INPUTS/OUTPUTS</b>					
CELL0, CELL1 Input Bias Current		-1		+1	$\mu A$
SETI Input Voltage Range	(Note 1)	0		$V_{REF}$	V
VADJ Adjustment Range		10			%
SETI, VADJ Input Bias Current		-10		+10	nA
VADJ Input Voltage Range		0		$V_{REF}$	V
THM/ $\overline{SHDN}$ Rising Threshold		2.20	2.3	2.34	V
THM/ $\overline{SHDN}$ Falling Threshold		2.01	2.1	2.19	V
STATUS Output Low Voltage	Charger in current-regulation mode, STATUS sinking 1mA			0.2	V
STATUS Output Leakage Current	Charger in voltage-regulation mode, $V_{STATUS} = 5V$			1	$\mu A$
IBAT Output Current vs. Current-Sense Voltage	$V_{IBAT} = 2V$		0.9		$\mu A/mV$
IBAT Compliance Voltage Range		0		2	V

## ELECTRICAL CHARACTERISTICS

( $V_{DCIN} = 18V$ ,  $V_{BATT} = 8.4V$ ,  $T_A = -40^{\circ}C$  to  $+85^{\circ}C$ , unless otherwise noted. Limits over temperature are guaranteed by design.)

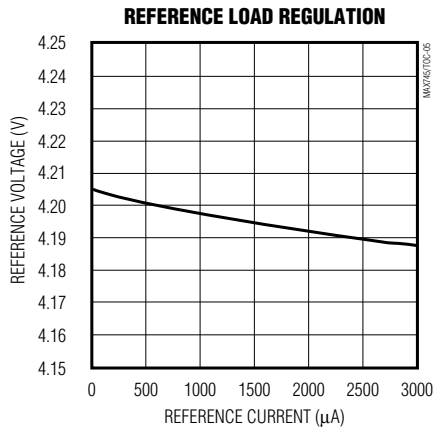
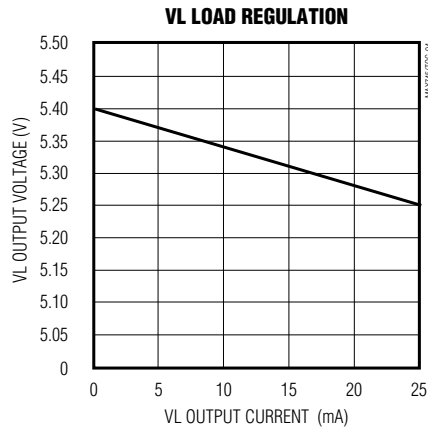
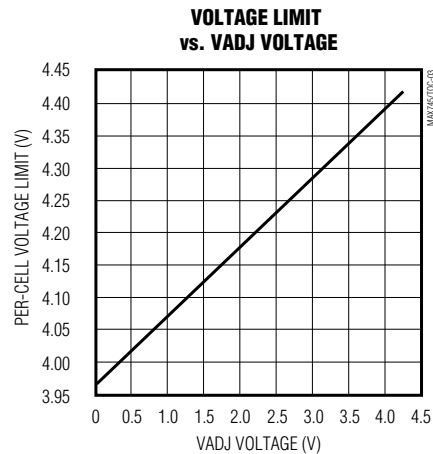
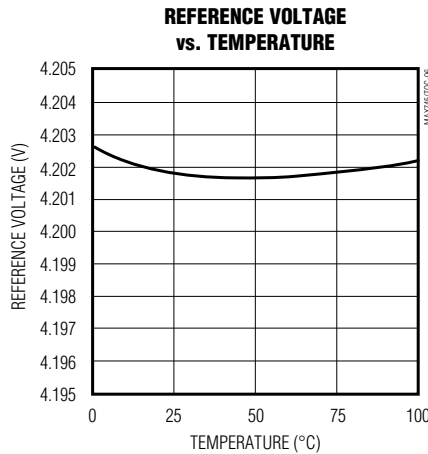
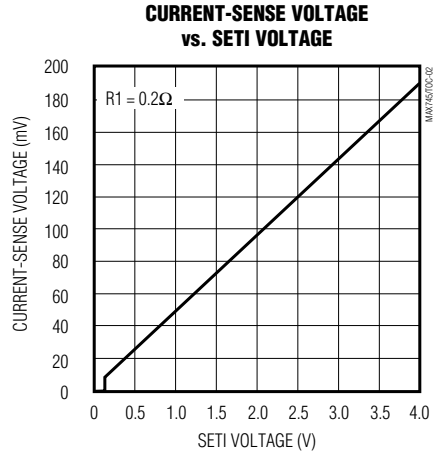
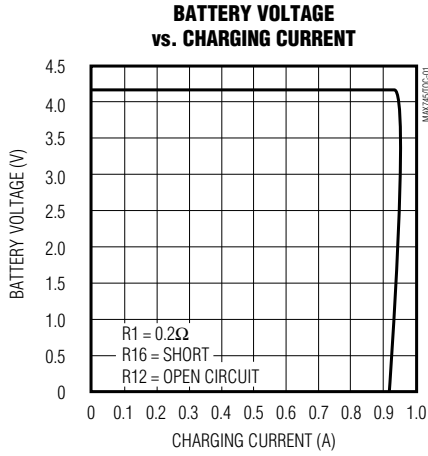
PARAMETER	CONDITIONS	MIN	TYP	MAX	UNITS
<b>SUPPLY AND REFERENCE</b>					
VL Output Voltage	$6.0V < V_{DCIN} < 24V$ , no load	5.10		5.70	V
REF Output Voltage	$6.0V < V_{DCIN} < 24V$	4.14		4.26	V
<b>SWITCHING REGULATOR (Note 1)</b>					
Oscillator Frequency		260		340	kHz
DHI On-Resistance	Output high or low			7	$\Omega$
DLO On-Resistance	Output high or low			14	$\Omega$
CS to BATT Full-Scale Current-Sense Voltage		165		205	mV
Absolute Voltage Accuracy	Not including VADJ resistors	-1.0		+1.0	%

**Note 1:** When  $V_{SETI} = 0V$ , the battery charger turns off.

# Switch-Mode Lithium-Ion Battery Charger

## Typical Operating Characteristics

( $T_A = +25^\circ\text{C}$ ,  $V_{\text{DCIN}} = 18\text{V}$ ,  $V_{\text{BATT}} = 4.2\text{V}$ ,  $\text{CELL0} = \text{CELL1} = \text{GND}$ ,  $C_{\text{VL}} = 4.7\mu\text{F}$ ,  $C_{\text{REF}} = 0.1\mu\text{F}$ . Circuit of Figure 1, unless otherwise noted.)



# Switch-Mode Lithium-Ion Battery Charger

## Pin Description

MAX745

PIN	NAME	FUNCTION
1	IBAT	Current-Sense Amplifier's Analog Current-Source Output. See the <i>Monitoring Charge Current</i> section for a detailed description.
2	DCIN	Charger Input Voltage. Bypass DCIN with a 0.1 $\mu$ F capacitor.
3	VL	Chip Power Supply. Output of the 5.4V linear regulator from DCIN. Bypass VL with a 4.7 $\mu$ F capacitor.
4	CCV	Voltage-Regulation-Loop Compensation Point
5	CCI	Current-Regulation-Loop Compensation Point
6	THM/ SHDN	Thermistor Sense-Voltage Input. THM/ $\overline{\text{SHDN}}$ also performs the shutdown function. If pulled low, the charger turns off.
7	REF	4.2V Reference Voltage Output. Bypass REF with a 0.1 $\mu$ F or greater capacitor.
8	VADJ	Voltage-Adjustment Pin. VADJ is tied to a 1% tolerance external resistor-divider to adjust the voltage set point by 10%, eliminating the need for precision 0.1% resistors. The input voltage range is 0V to VREF.
9	SETI	SETI is externally tied to the resistor-divider between REF and GND to set the charging current.
10	GND	Analog Ground
11, 12	CELL1, CELL0	Logic Inputs to Select Cell Count. See Table 1 for cell-count programming.
13	STATUS	An open-drain MOSFET sinks current when in current-regulation mode, and is high impedance when in voltage-regulation mode. Connect STATUS to VL through a 1k $\Omega$ to 100k $\Omega$ pullup resistor. STATUS can also drive an LED for visual indication of regulation mode (see MAX745 EV kit). Leave STATUS floating if not used.
14	BATT	Battery-Voltage-Sense Input and Current-Sense Negative Input
15	CS	Current-Sense Positive Input
16	PGND	Power Ground
17	DLO	Low-Side Power MOSFET Driver Output
18	DHI	High-Side Power MOSFET Driver Output
19	LX	Power Connection for the High-Side Power MOSFET Source
20	BST	Power Input for the High-Side Power MOSFET Driver

### Detailed Description

The MAX745 is a switch-mode, Li+ battery charger that can achieve 90% efficiency. The charge voltage and current are set independently by external resistor-dividers at SETI and VADJ, and at pin connections at CELL0 and CELL1. VADJ is connected to a resistor-divider to set the charging voltage. The output voltage-adjustment range is  $\pm 5\%$ , eliminating the need for 0.1% resistors while still achieving 0.75% set accuracy using 1% resistors.

The MAX745 consists of a current-mode, pulse-width-modulated (PWM) controller and two transconductance error amplifiers: one for regulating current (GMI) and the other for regulating voltage (GMV) (Figure 2). The error amplifiers are controlled through the SETI and VADJ pins. Whether the MAX745 is controlling voltage or current at any time depends on the battery state. If the battery is discharged, the MAX745 output reaches

the current-regulation limit before the voltage limit, causing the system to regulate current. As the battery charges, the voltage rises to the point where the voltage limit is reached and the charger switches to regulating voltage. The STATUS pin indicates whether the charger is regulating current or voltage.

### Voltage Control

To set the voltage limit on the battery, connect a resistor-divider to VADJ from REF. A 0V to VREF change at VADJ sets a  $\pm 5\%$  change in the battery limit voltage around 4.2V. Since the 0 to 4.2V range on VADJ results in only a 10% change on the voltage limit, the resistor-divider's accuracy does not need to be as high as the output voltage accuracy. Using 1% resistors for the voltage dividers typically results in no more than 0.1% degradation in output voltage accuracy. VADJ is internally buffered so that high-value resistors can be used to set the output voltage. When the voltage at VADJ is

# Switch-Mode Lithium-Ion Battery Charger

$V_{REF} / 2$ , the voltage limit is 4.2V. Table 1 defines the battery cell count.

The battery limit voltage is set by the following:

$$V_{BATT} = (\text{cell count}) \times \left[ V_{REF} + \frac{\left( V_{ADJ} - \frac{1}{2} V_{REF} \right)}{9.523} \right]$$

Solving for  $V_{ADJ}$ , we get:

$$V_{ADJ} = \frac{9.523 V_{BATT}}{(\text{cell count})} - 9.023 V_{REF}$$

Set  $V_{ADJ}$  by choosing a value for R11 (typically 100k $\Omega$ ), and determine R3 by:

$$R3 = [1 - (V_{ADJ} / V_{REF})] \times R11 \text{ (Figure 1)}$$

**Table 1. Cell-Count Programming Table**

CELL0	CELL1	CELL COUNT
GND	GND	1
VL	GND	2
GND	VL	3
VL	VL	4

where  $V_{REF} = 4.2V$  and cell count is 1, 2, 3, 4 (Table 1).

The voltage-regulation loop is compensated at the CCV pin. Typically, a series-resistor-capacitor combination can be used to form a pole-zero doublet. The pole introduced rolls off the gain starting at low frequencies. The zero of the doublet provides sufficient AC gain at mid-frequencies. The output capacitor (C1) rolls off the mid-frequency gain to below unity. This guarantees stability before encountering the zero introduced by the C1's equivalent series resistance (ESR). The GMV amplifier's output is internally clamped to between one-fourth and three-fourths of the voltage at REF.

### Current Control

The charging current is set by a combination of the current-sense resistor value and the SET1 pin voltage. The current-sense amplifier measures the voltage across the current-sense resistor, between CS and BATT. The current-sense amplifier's gain is 6. The voltage on SET1 is buffered and then divided by 4. This voltage is compared to the current-sense amplifier's output. Therefore, full-scale current is accomplished by connecting SET1 to REF. The full-scale charging current ( $I_{FS}$ ) is set by the following:

$$I_{FS} = 185mV / R1 \text{ (Figure 1)}$$

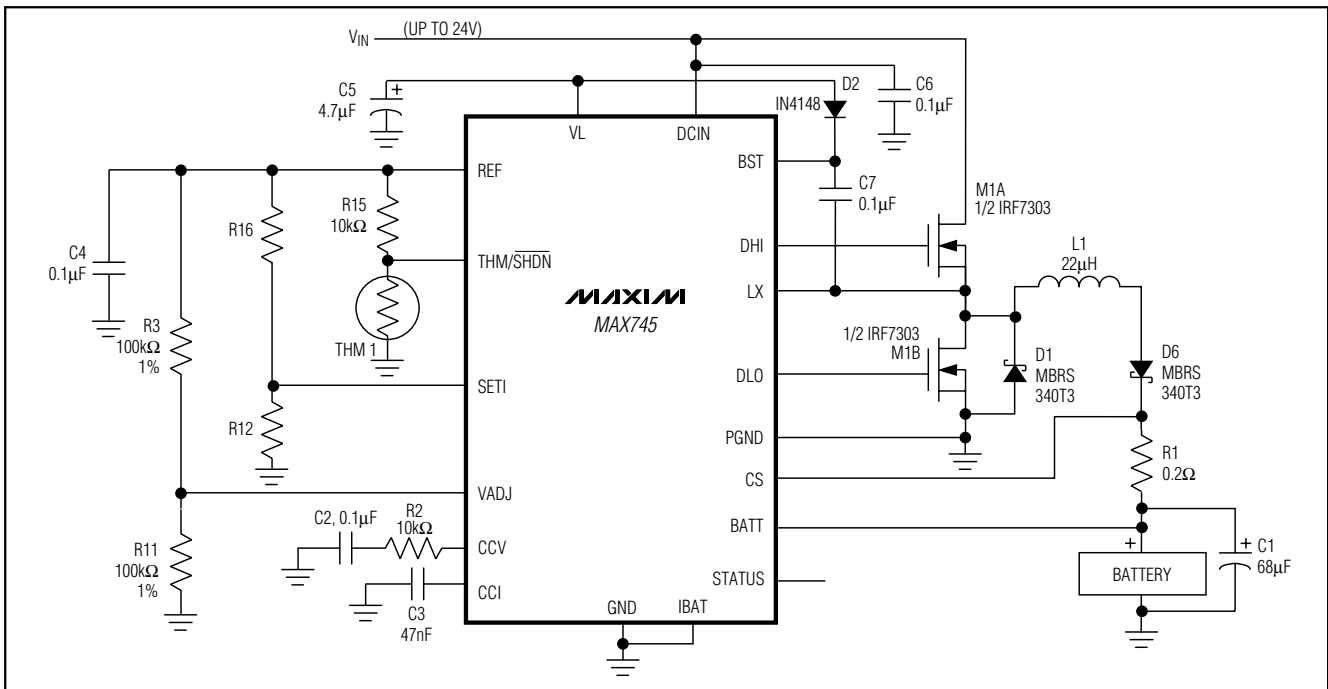


Figure 1. Standard Application Circuit

# Switch-Mode Lithium-Ion Battery Charger

To set currents below full scale without changing R1, adjust the voltage at SET1 according to the following formula:

$$I_{CHG} = I_{FS} (V_{SET1} / V_{REF})$$

A capacitor at CCI sets the current-feedback loop's dominant pole. While the current is in regulation, CCV voltage is clamped to within 80mV of the CCI voltage. This prevents the battery voltage from overshooting when the voltage setting is changed. The converse is true when the voltage is in regulation and the current setting is changed. Since the linear range of CCI or CCV is about 2V (1.5V to 3.5V), the 80mV clamp results in negligible overshoot when the loop switches from voltage regulation to current regulation, or vice versa.

### Monitoring Charge Current

The battery-charging current can be externally monitored by placing a scaling resistor (R<sub>IBAT</sub>) between IBAT and GND. IBAT is the output of a voltage-controlled current source, with output current given by:

$$I_{IBAT} = \frac{0.9\mu A}{mV} \times V_{SENSE}$$

where V<sub>SENSE</sub> is the voltage across the current-sense resistor (in millivolts) given by:

$$V_{SENSE} = V_{CS} - V_{BATT} = I_{CHG} \times R1$$

The voltage across R<sub>IBAT</sub> is then given by:

$$V_{IBAT} = 0.9 \times 10^{-3} A_V \times I_{CHG} \times R1 \times R_{IBAT}$$

R<sub>IBAT</sub> must be chosen to limit V<sub>IBAT</sub> to voltages below 2V for the maximum charging current. Connect IBAT to GND if unused.

### PWM Controller

The battery voltage or current is controlled by a current-mode, PWM DC/DC converter controller. This controller drives two external N-channel MOSFETs, which control power from the input source. The controller sets the switched voltages pulse width so that it supplies the desired voltage or current to the battery. Total component cost is reduced by using a dual, N-channel MOSFET.

The heart of the PWM controller is a multi-input comparator. This comparator sums three input signals to determine the switched signal's pulse width, setting the battery voltage or current. The three signals are the current-sense amplifier's output, the GMV or GMI error amplifier's output, and a slope-compensation signal that ensures that the current-control loop is stable.

The PWM comparator compares the current-sense amplifier's output to the lower output voltage of either the GMV or GMI amplifiers (the error voltage). This current-mode feedback reduces the effect of the inductor on the output filter LC formed by the output inductor (L1) and C1 (Figure 1). This makes stabilizing the circuit much easier, since the output filter changes to a first-order RC from a complex, second-order RLC.

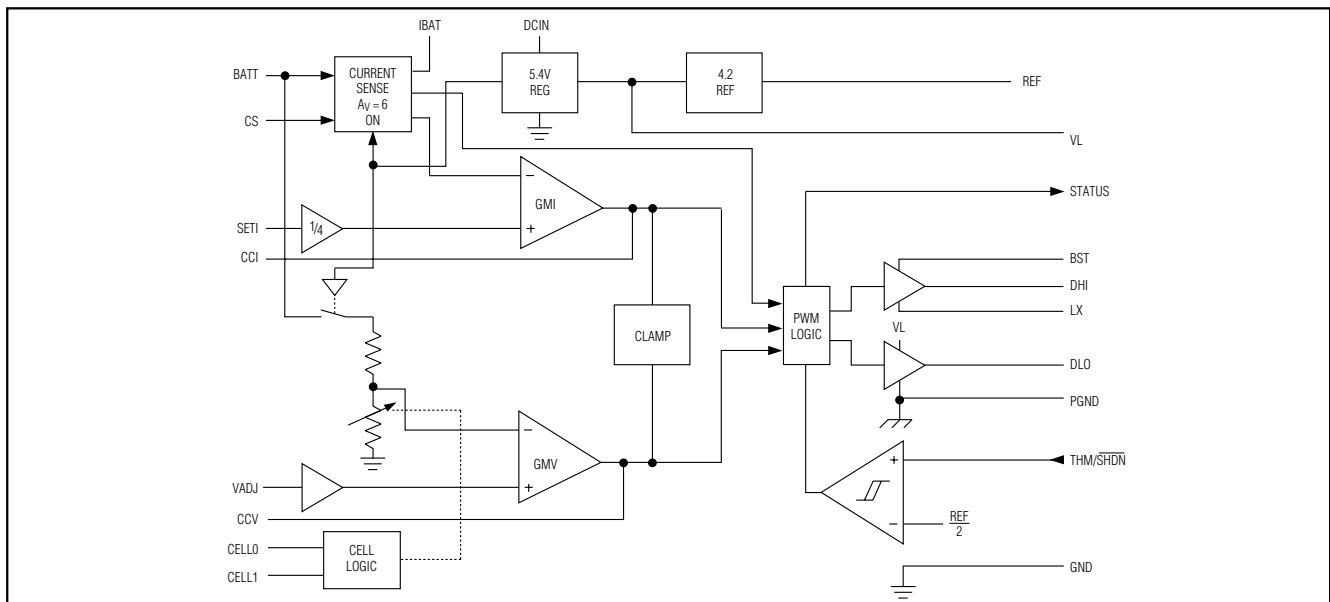


Figure 2. Functional Diagram



# Switch-Mode Lithium-Ion Battery Charger

## MOSFET Drivers

The MAX745 drives external N-channel MOSFETs to switch the input source generating the battery voltage or current. Since the high-side N-channel MOSFET's gate must be driven to a voltage higher than the input source voltage, a charge pump is used to generate such a voltage. The capacitor (C7) charges through D2 to approximately 5V when the synchronous rectifier (M1B) turns on (Figure 1). Since one side of C7 is connected to LX (the source of M1A), the high-side driver (DHI) drives the gate up to the voltage at BST, which is greater than the input voltage while the high-side MOSFET is on.

The synchronous rectifier (M1B) behaves like a diode but has a smaller voltage drop, improving efficiency. A small dead time is added between the time when the high-side MOSFET is turned off and when the synchronous rectifier is turned on, and vice versa. This prevents crowbar currents during switching transitions. Place a Schottky rectifier from LX to ground (D1, across M1B's drain and source) to prevent the synchronous rectifier's body diode from conducting during the dead time. The body diode typically has slower switching-recovery times, so allowing it to conduct degrades efficiency. D1 can be omitted if efficiency is not a concern, but the resulting increased power dissipation in the synchronous rectifier must be considered.

Since the BST capacitor is charged while the synchronous rectifier is on, the synchronous rectifier may not be replaced by a rectifier. The BST capacitor will not fully charge without the synchronous rectifier, leaving the high-side MOSFET with insufficient gate drive to turn on. However, the synchronous rectifier can be replaced with a small MOSFET (such as a 2N7002) to guarantee that the BST capacitor is allowed to charge. In this case, the majority of the high charging currents are carried by D1, and not by the synchronous rectifier.

## Internal Regulator and Reference

The MAX745 uses an internal low-dropout linear regulator to create a 5.4V power supply (VL), which powers its internal circuitry. The VL regulator can supply up to 25mA. Since 4mA of this current powers the internal circuitry, the remaining 21mA can be used for external circuitry. MOSFET gate-drive current comes from VL, which must be considered when drawing current for other functions. To estimate the current required to drive the MOSFETs, multiply the sum of the MOSFET gate charges by the switching frequency (typically 300kHz). Bypass VL with a 4.7µF capacitor to ensure stability.

The MAX745 internal 4.2V reference voltage must be bypassed with a 0.1µF or greater capacitor.

## Minimum Input Voltage

The input voltage to the charger circuit must be greater than the maximum battery voltage by approximately 2V so the charger can regulate the voltage properly. The input voltage can have a large AC-ripple component when operating from a wall cube. The voltage at the low point of the ripple waveform must still be approximately 2V greater than the maximum battery voltage.

Using components as indicated in Figure 1, the minimum input voltage can be determined by the following formula:

$$V_{IN} \times \frac{[V_{BATT} + V_{D6} + I_{CHG} (R_{DS(ON)} + R_L + R_1)]}{0.89}$$

where:  $V_{IN}$  is the input voltage;

$V_{D6}$  is the voltage drop across D6 (typically 0.4V to 0.5V);

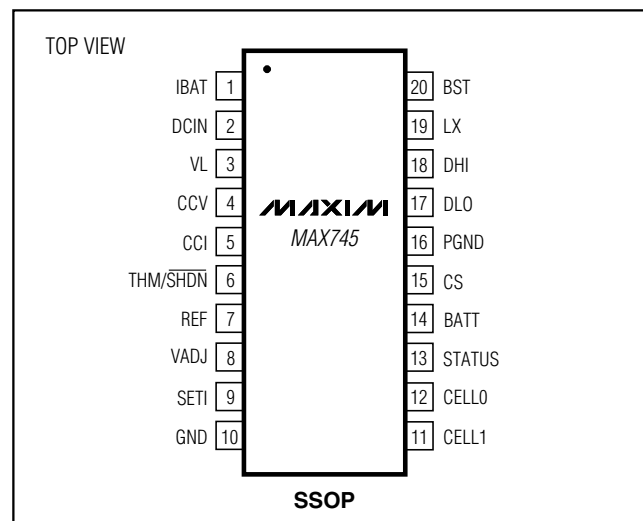
$I_{CHG}$  is the charging current;

$R_{DS(ON)}$  is the high-side MOSFET M1A's on-resistance;

$R_L$  is the the inductor's series resistance;

$R_1$  is the current-sense resistor R1's value.

## Pin Configuration



## Chip Information

TRANSISTOR COUNT: 1695

SUBSTRATE CONNECTED TO GND