



Highly Integrated, Linear Battery Charger with Thermal Regulation for Portable Applications

MAX1501

General Description

The MAX1501 intelligent, constant-current, constant-voltage (CCCV), temperature-regulated battery charger charges a single lithium-ion (Li+) cell or three-cell NiMH/NiCd batteries. The device integrates the current-sense resistor, PMOS pass element, and thermal-regulation circuitry, while eliminating the reverse-blocking Schottky diode to create the simplest charging solution for hand-held equipment.

The MAX1501 functions as a stand-alone charger to control the charging sequence from the prequalification state through fast charge, top-off, and charge termination for single-cell Li+ or three-cell NiMH/NiCd batteries. Alternatively, the MAX1501 collaborates with a host microprocessor to determine the best charging algorithm. Proprietary thermal-regulation circuitry limits the die temperature when fast charging or while exposed to high ambient temperatures, allowing maximum charging current without damaging the charger. The MAX1501 continually supplies a regulated output voltage under no-battery conditions, allowing battery changing.

The device achieves high flexibility by providing an adjustable fast-charge current, top-off current, safety timer (disabled in the MAX1501Z), and thermal-regulation setpoint. Other features include input power detection (ACOK) and input under-/overvoltage protection. The MAX1501 provides active-low control inputs.

The MAX1501 accepts a 4.5V to 13V supply, but disables charging when the input voltage exceeds 6.5V, preventing excessive power dissipation. The MAX1501 operates over the extended temperature range (-40°C to +85°C) and is available in a compact 16-pin thermally enhanced 5mm x 5mm thin QFN package with 0.8mm profile.

Applications

- Cellular and Cordless Phones
- PDA's
- Digital Cameras and MP3 Players
- USB Appliances
- Charging Cradles and Docks
- Bluetooth™ Equipment

Pin Configuration appears at end of data sheet.

Bluetooth is a trademark of Ericsson.

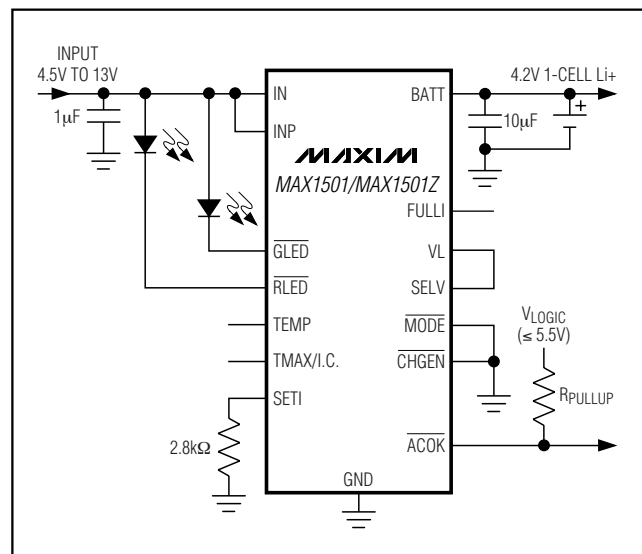
Features

- ◆ Stand-Alone or Microprocessor-Controlled (μ P) Linear 1-Cell Li+ or 3-Cell NiMH/NiCd Battery Charger
- ◆ No FET, Reverse-Blocking Diode, or Current-Sense Resistor Required
- ◆ 1.4A (max) Programmable Fast-Charge Current
- ◆ +95°C, +115°C, and +135°C Proprietary Programmable Die Temperature Regulation Control
- ◆ 4.5V to 13V Input Voltage Range with Input Overvoltage (OVLO) Protection Above 6.5V
- ◆ Programmable Top-Off Current Threshold: 10%, 20%, or 30% of the Fast-Charge Current
- ◆ Charge-Current Monitor for Fuel Gauging
- ◆ Programmable Safety Timer (3, 4.5, or 6 hours)
- ◆ Input Power Detection Output (ACOK) and Charge Enable Input (CHGEN)
- ◆ Automatic Recharge
- ◆ Digital Soft-Start Limits Inrush Current
- ◆ Charge Status Outputs for LEDs or μ P Interface

Ordering Information

PART	TEMP RANGE	PIN-PACKAGE
MAX1501ETE	-40°C to +85°C	16 Thin QFN
MAX1501ZETE	-40°C to +85°C	16 Thin QFN

Typical Operating Circuit



MAXIM

Maxim Integrated Products 1

For pricing, delivery, and ordering information, please contact Maxim/Dallas Direct! at 1-888-629-4642, or visit Maxim's website at www.maxim-ic.com.

Highly Integrated, Linear Battery Charger with Thermal Regulation for Portable Applications

ABSOLUTE MAXIMUM RATINGS

IN, INP, $\overline{\text{RLED}}$, $\overline{\text{GLED}}$ to GND	-0.3V to +14V
IN to INP	-0.3V to +0.3V
VL, BATT, SETI, $\overline{\text{ACOK}}$, $\overline{\text{MODE}}$, $\overline{\text{CHGEN}}$, SELV, FULLI, TMAX/I.C., TEMP to GND	-0.3V to +6V
VL to IN	-14V to +0.3V

Continuous Power Dissipation ($T_A = +70^\circ\text{C}$) 16-Pin 5mm x 5mm Thin QFN (derate 21.3mW/ $^\circ\text{C}$ above $+70^\circ\text{C}$)	1702mW
Operating Temperature Range	-40°C to $+85^\circ\text{C}$
Junction Temperature	$+150^\circ\text{C}$
Storage Temperature Range	-65°C to $+150^\circ\text{C}$
Lead Temperature (soldering, 10s)	$+300^\circ\text{C}$

Stresses beyond those listed under "Absolute Maximum Ratings" may cause permanent damage to the device. These are stress ratings only, and functional operation of the device at these or any other conditions beyond those indicated in the operational sections of the specifications is not implied. Exposure to absolute maximum rating conditions for extended periods may affect device reliability.

ELECTRICAL CHARACTERISTICS

($V_{\text{IN}} = V_{\text{INP}} = 5\text{V}$, $V_{\text{BATT}} = 3.5\text{V}$, $\overline{\text{ACOK}} = \overline{\text{GLED}} = \overline{\text{RLED}} = \text{TEMP} = \text{TMAX/I.C.} = \text{FULLI} = \text{open}$, $\overline{\text{CHGEN}} = \overline{\text{MODE}} = \text{GND}$, $R_{\text{SETI}} = 2.8\text{k}\Omega$, $C_{\text{IN}} = 1\mu\text{F}$, $C_{\text{BATT}} = 10\mu\text{F}$, $T_A = 0^\circ\text{C}$ to $+85^\circ\text{C}$, unless otherwise noted. Typical values are at $T_A = +25^\circ\text{C}$.)

PARAMETER	CONDITIONS	MIN	TYP	MAX	UNITS	
IN, INP Input Voltage		0		13	V	
IN, INP Input Operating Range		4.50		6.25	V	
VL Output Voltage	$4.5\text{V} \leq V_{\text{IN}} \leq 6.25\text{V}$, $I_{\text{VL}} < 250\mu\text{A}$	2.7	3	3.3	V	
$\overline{\text{ACOK}}$ Trip Point	$V_{\text{IN}} - V_{\text{BATT}}$, rising	40	70	100	mV	
	$V_{\text{IN}} - V_{\text{BATT}}$, falling	30	55	85		
	$V_{\text{IN}} - V_{\text{BATT}}$, hysteresis		15			
$\overline{\text{ACOK}}$ Sink Current	$4.5\text{V} \leq V_{\text{IN}} \leq 6.25\text{V}$, $V_{\overline{\text{ACOK}}} = 0.6\text{V}$	75			μA	
Undervoltage Lockout Trip Point	V_{IN} rising	4.05	4.125	4.20	V	
	V_{IN} falling	3.9	4.025	4.1		
	Hysteresis		100		mV	
Overvoltage Lockout Trip Point	V_{IN} rising	6.25	6.50	6.75	V	
IN Input Current	Li+, NiMH/NiCd, and no-battery modes		5	8	mA	
	Disable mode		1.5	3		
	Off mode ($V_{\text{IN}} = 4\text{V}$)			0.25		
BATT Input Current	$V_{\text{BATT}} = 4.3\text{V}$		45	80	μA	
	$V_{\text{IN}} = 0$		3	10		
	Disable mode		2	6		
Leakage into Battery	$V_{\text{IN}} = V_{\text{INP}} = 13\text{V}$, $V_{\text{BATT}} = 0$			5	μA	
RMS Charge Current				1.4	A	
Battery Regulation Voltage	Li+ mode	SELV = VL	4.166	4.2	4.234	V
		SELV = GND	4.067	4.1	4.133	
	NiMH/NiCd mode	SELV = VL, $V_{\text{IN}} = V_{\text{INP}} = 6\text{V}$	4.85	4.95	5.05	
		SELV = GND	4.4	4.5	4.6	
Output Regulation Voltage	No-battery mode	3.700	4.0	4.234	V	
BATT Precharge Threshold Voltage	BATT rising	2.675	2.8	2.925	V	
Fast-Charge Current-Loop System Accuracy	$R_{\text{SETI}} = 2.8\text{k}\Omega$	460	500	540	mA	
	$R_{\text{SETI}} = 1.75\text{k}\Omega$	736	800	864		

Highly Integrated, Linear Battery Charger with Thermal Regulation for Portable Applications

MAX1501

ELECTRICAL CHARACTERISTICS (continued)

($V_{IN} = V_{INP} = 5V$, $V_{BATT} = 3.5V$, $\overline{ACOK} = \overline{GLED} = \overline{RLED} = TEMP = TMAX/I.C. = FULLI = open$, $\overline{CHGEN} = \overline{MODE} = GND$, $R_{SETI} = 2.8k\Omega$, $C_{IN} = 1\mu F$, $C_{BATT} = 10\mu F$, $T_A = 0^\circ C$ to $+85^\circ C$, unless otherwise noted. Typical values are at $T_A = +25^\circ C$.)

PARAMETER	CONDITIONS	MIN	TYP	MAX	UNITS	
Precharge Current System Accuracy	% of fast-charge current, $V_{BATT} = 2V$	5	10	15	%	
Die Temperature Regulation Setpoint (Note 1)	TEMP = GND		95		°C	
	TEMP = open		115			
	TEMP = VL		135			
Current-Sense Amplifier Gain	I_{BATT} to I_{SETI} , precharge mode, $V_{BATT} = 2V$	0.70	1	1.30	mA/A	
	I_{BATT} to I_{SETI} , fast-charge mode	0.95	1	1.05		
Internal Current-Sense Resistance			84		mΩ	
Regulator Dropout Voltage	$V_{IN} - V_{BATT}$, NiMH/NiCd mode, $V_{BATT} = 4.3V$, $I_{BATT} = 425mA$		190	350	mV	
Logic Input Low Voltage	\overline{CHGEN} , \overline{MODE} , $4.5V \leq V_{IN} \leq 6.25V$			0.52	V	
Logic Input High Voltage	\overline{CHGEN} , \overline{MODE} , $4.5V \leq V_{IN} \leq 6.25V$	1.25			V	
Internal Pulldown Resistance	\overline{CHGEN} , \overline{MODE}	100	175	400	kΩ	
Internal Pullup Resistance	SELV	100	175	400	kΩ	
Internal Bias Resistance	FULLI, TEMP, TMAX	50	90	200	kΩ	
Internal Bias Voltage	FULLI, TEMP, TMAX		$V_{VL}/2$		V	
\overline{RLED} Output Low Current	$V_{\overline{RLED}} = 1V$	7	10	18	mA	
\overline{GLED} Output Low Current	$V_{\overline{GLED}} = 1V$	14	20	34	mA	
\overline{GLED} , \overline{RLED} Output High Leakage Current	$V_{\overline{GLED}} = V_{\overline{RLED}} = V_{IN} = V_{INP} = 13V$		0.1	1	μA	
Full-Battery Detection Current Threshold	% of fast-charge current	FULLI = GND	5	10	15	%
		FULLI = VL	15	20	25	
		FULLI = open	25	30	35	
V_{BATT} Restart Threshold	Li+ mode	SELV = VL	3.9	4.0	4.1	V
		SELV = GND	3.8	3.9	4.0	
	NiMH/NiCd mode	3.9	4.0	4.1		
Charge-Timer Accuracy		-10		+10	%	
Charge-Timer Duration (MAX1501 Only)	TMAX = GND		3		hrs	
	TMAX = open		4.5			
	TMAX = VL		6			

Highly Integrated, Linear Battery Charger with Thermal Regulation for Portable Applications

ELECTRICAL CHARACTERISTICS

($V_{IN} = V_{INP} = 5V$, $V_{BATT} = 3.5V$, $\overline{ACOK} = \overline{GLED} = \overline{RLED} = \overline{TEMP} = \overline{TMAX/I.C.} = \overline{FULLI} = \text{open}$, $\overline{CHGEN} = \overline{MODE} = \text{GND}$, $R_{SETI} = 2.8k\Omega$, $C_{IN} = 1\mu F$, $C_{BATT} = 10\mu F$, $T_A = -40^\circ C \text{ to } +85^\circ C$, unless otherwise noted. Typical values are at $T_A = +25^\circ C$.) (Note 2)

PARAMETER	CONDITIONS		MIN	TYP	MAX	UNITS
IN, INP Input Voltage			0		13	V
IN, INP Input Operating Range			4.50		6.25	V
VL Output Voltage	$4.5V \leq V_{IN} \leq 6.25V$, $I_{VL} < 250\mu A$		2.7		3.3	V
\overline{ACOK} Trip Point	$V_{IN} - V_{BATT}$, rising		40		100	mV
	$V_{IN} - V_{BATT}$, falling		30		85	
\overline{ACOK} Sink Current	$4.5V \leq V_{IN} \leq 6.25V$, $\overline{VACOK} = 0.6V$		75			μA
Undervoltage Lockout Trip Point	V_{IN} rising		4.00		4.25	V
	V_{IN} falling		3.90		4.15	
Oversvoltage Lockout Trip Point			6.25		6.75	V
IN Input Current	Li+, NiMH/NiCd, and no-battery modes				8	mA
	Disable mode				3	
BATT Input Current	$V_{BATT} = 4.3V$				80	μA
	$V_{IN} = 0$				10	
	Disable mode				6	
Leakage into Battery	$V_{IN} = V_{INP} = 13V$, $V_{BATT} = 0$	Disable mode			5	μA
RMS Charge Current					1.4	A
Battery Regulation Voltage	Li+ mode	SELV = VL	4.148		4.252	V
		SELV = GND	4.05		4.15	
	NiMH/NiCd mode	SELV = VL	4.85		5.05	
		SELV = GND	4.4		4.6	
Output Regulation Voltage	No-battery mode		3.700		4.234	V
BATT Precharge Threshold Voltage	BATT rising		2.675		2.925	V
Fast-Charge Current-Loop System Accuracy	$R_{SETI} = 2.8k\Omega$		460		540	mA
	$R_{SETI} = 1.75k\Omega$		736		864	
Precharge Current System Accuracy	% of fast-charge current, $V_{BATT} = 2V$		5		15	%
Current-Sense Amplifier Gain	I_{BATT} to I_{SETI} , precharge mode, $V_{BATT} = 2V$		0.60		1.40	mA/A
	I_{BATT} to I_{SETI} , fast-charge mode		0.93		1.07	
Regulator Dropout Voltage	$V_{IN} - V_{BATT}$, NiMH/NiCd mode, $V_{BATT} = 4.3V$, $I_{BATT} = 425mA$				350	mV
Logic Input Low Voltage	\overline{CHGEN} , \overline{MODE} , $4.5V < V_{IN} < 6.25V$				0.52	V
Logic Input High Voltage	\overline{CHGEN} , \overline{MODE} , $4.5V < V_{IN} < 6.25V$		1.3			V
Internal Pulldown Resistance	\overline{CHGEN} , \overline{MODE}		100		400	k Ω
Internal Pullup Resistance	SELV		100		400	k Ω
Internal Bias Resistance	FULLI, TEMP, TMAX		50		200	k Ω

Highly Integrated, Linear Battery Charger with Thermal Regulation for Portable Applications

MAX1501

ELECTRICAL CHARACTERISTICS (continued)

($V_{IN} = V_{INP} = 5V$, $V_{BATT} = 3.5V$, $\overline{ACOK} = \overline{GLED} = \overline{RLED} = \overline{TEMP} = \overline{TMAX/I.C.} = \overline{FULLI} = \text{open}$, $\overline{CHGEN} = \overline{MODE} = \text{GND}$, $R_{SET1} = 2.8k\Omega$, $C_{IN} = 1\mu F$, $C_{BATT} = 10\mu F$, $T_A = -40^\circ C \text{ to } +85^\circ C$, unless otherwise noted. Typical values are at $T_A = +25^\circ C$.) (Note 2)

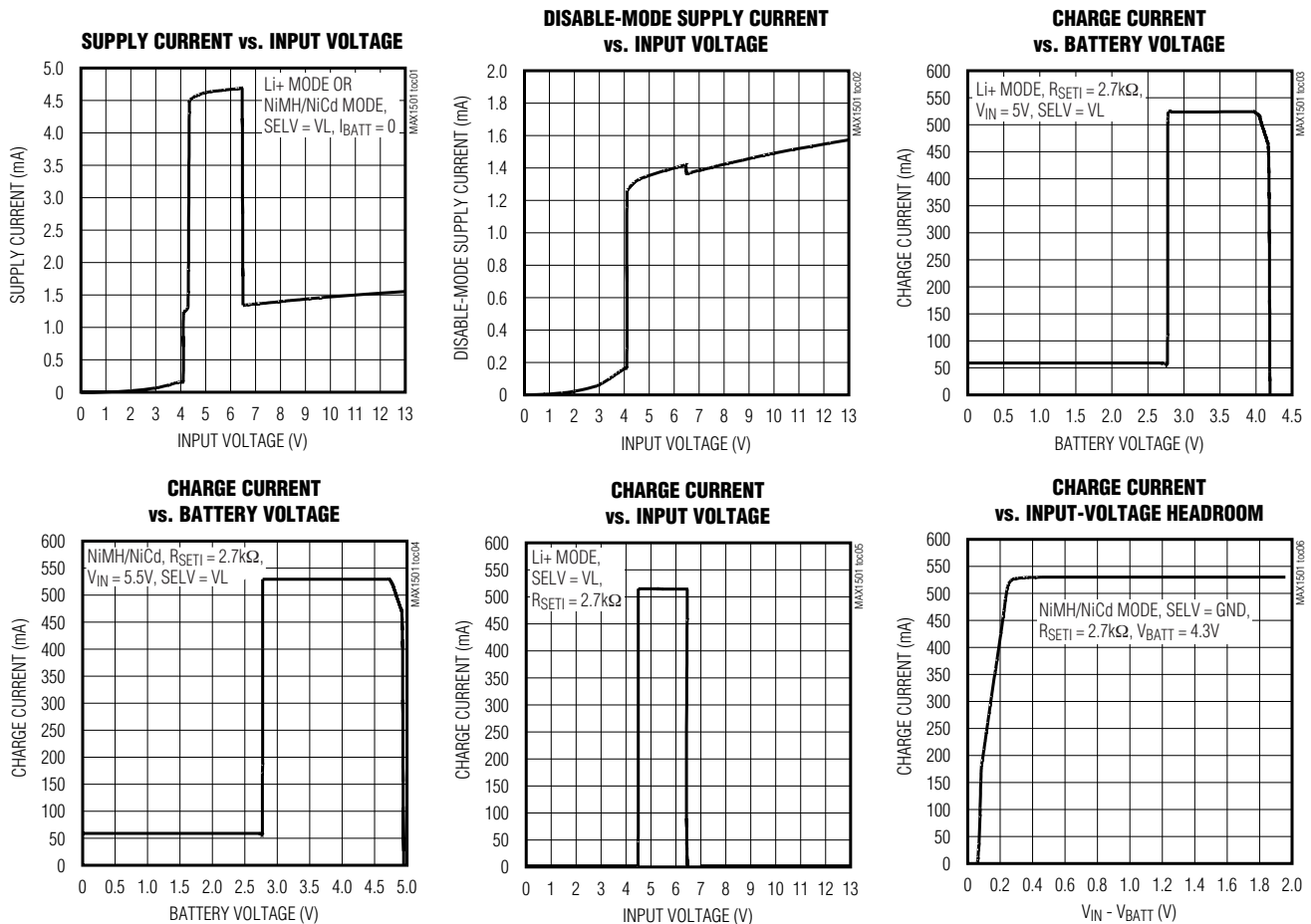
PARAMETER	CONDITIONS	MIN	TYP	MAX	UNITS
RLED Output Low Current	$V_{\overline{RLED}} = 1V$	7		18	mA
GLED Output Low Current	$V_{\overline{GLED}} = 1V$	14		34	mA
GLED, RLED Output High Leakage Current	$V_{\overline{GLED}} = V_{\overline{RLED}} = V_{IN} = V_{INP} = 13V$			1	μA
Charge-Timer Accuracy (MAX1501 Only)		-10		+10	%

Note 1: Temperature regulation setpoint variation is typically $\pm 9^\circ C$.

Note 2: Specifications to $T_A = -40^\circ C$ are guaranteed by design, not production tested.

Typical Operating Characteristics

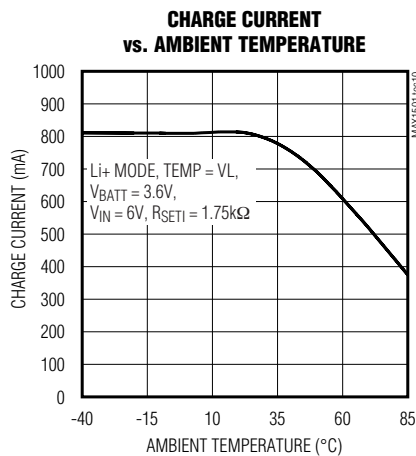
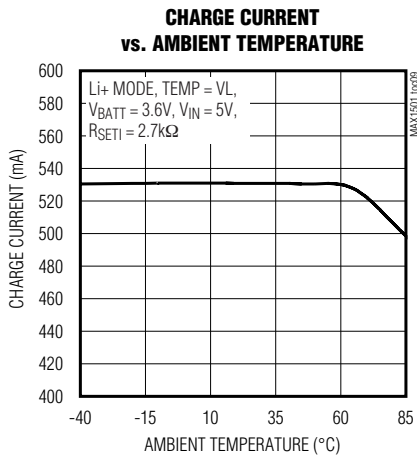
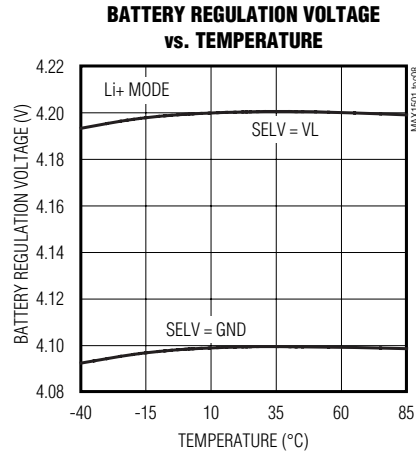
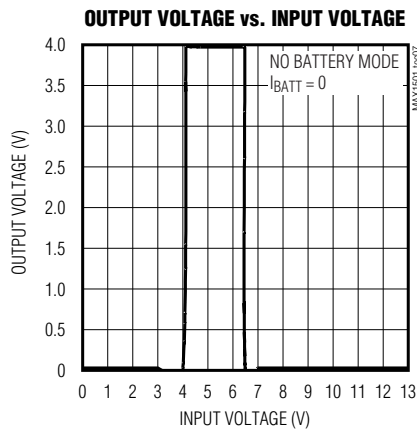
($V_{IN} = V_{INP} = 5V$, $\overline{ACOK} = \overline{RLED} = \overline{GLED} = \overline{TEMP} = \overline{TMAX/I.C.} = \overline{FULLI} = \text{open}$, $C_{BATT} = 10\mu F$, $C_{IN} = 1\mu F$, $T_A = +25^\circ C$, unless otherwise noted.)



Highly Integrated, Linear Battery Charger with Thermal Regulation for Portable Applications

Typical Operating Characteristics (continued)

($V_{IN} = V_{INP} = 5V$, $\overline{ACOK} = \overline{RLED} = \overline{GLED} = \overline{TEMP} = TMAX/I.C. = \overline{FULL1} = \text{open}$, $C_{BATT} = 10\mu F$, $C_{IN} = 1\mu F$, $T_A = +25^\circ C$, unless otherwise noted.)



Highly Integrated, Linear Battery Charger with Thermal Regulation for Portable Applications

Pin Description

MAX1501

PIN	NAME	FUNCTION
1	INP	High-Current Charger Input. Connect an AC adapter to INP and IN as close to the device as possible. INP provides charge current to the battery. INP draws current while the device is in shutdown mode.
2	IN	Low-Current Charger Input. Bypass IN to GND with a 1 μ F ceramic capacitor. Connect IN to INP as close to the device as possible. IN powers the internal LDO and reference. IN draws current while the device is in shutdown mode.
3, 13	GND	Ground. Connect the exposed paddle to GND.
4	SETI	Current-Sense Transconductance Amplifier Output. Connect a resistor from SETI to GND to program the maximum charge current and to monitor the actual charge current. SETI pulls to GND during shutdown.
5	VL	Linear Regulator Output. Connect $\overline{\text{CHGEN}}$, TEMP, TMAX, FULLI, and $\overline{\text{MODE}}$ to VL to program logic high. VL discharges to GND during shutdown.
6	TMAX	Maximum Charging-Time Select Input (MAX1501 Only). TMAX sets the maximum charging time. Connect TMAX to GND to set the maximum charging time to 3 hours. Leave TMAX floating to set the maximum charging time to 4.5 hours. Connect TMAX to VL to set the maximum charging time to 6 hours. TMAX pulls to GND through a 50k Ω resistor in shutdown.
	I.C.	Internally Connected in the MAX1501Z. Leave floating.
7	FULLI	Top-Off-Current Select Input. FULLI sets the end-of-charge threshold as a percentage of the fast-charge current. Connect FULLI to GND to set the end-of-charge threshold to 10% of the fast-charge current. Connect FULLI to VL to set the end-of-charge threshold to 20% of the fast-charge current. Leave FULLI floating to set the end-of-charge threshold to 30% of the fast-charge current. FULLI pulls to GND through a 50k Ω resistor in shutdown.
8	TEMP	Die Temperature Select Input. TEMP sets the die temperature regulation point for the thermal-control loop. Connect TEMP to GND to regulate the die temperature at +95 $^{\circ}$ C. Leave TEMP floating to regulate the die temperature at +115 $^{\circ}$ C. Connect TEMP to VL to regulate the die temperature at +135 $^{\circ}$ C. TEMP pulls to GND through a 50k Ω resistor in shutdown.
9	$\overline{\text{MODE}}$	Mode Select Input. $\overline{\text{MODE}}$ and $\overline{\text{CHGEN}}$ together control charging functions (Table 1). An internal 175k Ω pulldown resistor pulls $\overline{\text{MODE}}$ low.
10	$\overline{\text{CHGEN}}$	Charge Enable Input. $\overline{\text{CHGEN}}$ and $\overline{\text{MODE}}$ together control charging functions (Table 1). An internal 175k Ω pulldown resistor pulls $\overline{\text{CHGEN}}$ low.
11	$\overline{\text{ACOK}}$	Input Voltage Range Indicator. The open-drain $\overline{\text{ACOK}}$ output asserts low when $4.2\text{V} \leq V_{\text{IN}} \leq 6.25\text{V}$ and $V_{\text{IN}} - V_{\text{BATT}} \geq 100\text{mV}$. $\overline{\text{ACOK}}$ requires an external 100k Ω pullup resistor. $\overline{\text{ACOK}}$ floats in shutdown.
12	BATT	Battery Connection. Connect the positive terminal of the battery to BATT. BATT draws less than 5 μ A during shutdown.
14	SELV	Battery Voltage Selection Input. SELV sets the battery regulation voltage in Li+ and NiMH/NiCd modes (Table 2). For no-battery mode, the battery voltage defaults to 4.0V. An internal 175k Ω resistor to VL pulls SELV high.
15	$\overline{\text{RLED}}$	Battery Charging Indicator. Connect the anode of a red LED to IN and the cathode to $\overline{\text{RLED}}$. $\overline{\text{RLED}}$ asserts low when the input supply is present and the battery is charging, regardless of cell chemistry. $\overline{\text{RLED}}$ sinks 10mA. $\overline{\text{RLED}}$ goes high impedance in shutdown. Connect a pullup resistor to the μ P's I/O supply when interfacing with a μ P logic input.
16	$\overline{\text{GLED}}$	Full-Charge Indicator. Connect the anode of a green LED to IN and the cathode to $\overline{\text{GLED}}$. $\overline{\text{GLED}}$ asserts low when the input supply is present and the battery has reached the top-off current threshold set by FULLI, regardless of cell chemistry. $\overline{\text{GLED}}$ sinks 20mA. $\overline{\text{GLED}}$ goes high impedance in shutdown. Connect a pullup resistor to the μ P's I/O supply when interfacing with a μ P logic input.

Highly Integrated, Linear Battery Charger with Thermal Regulation for Portable Applications

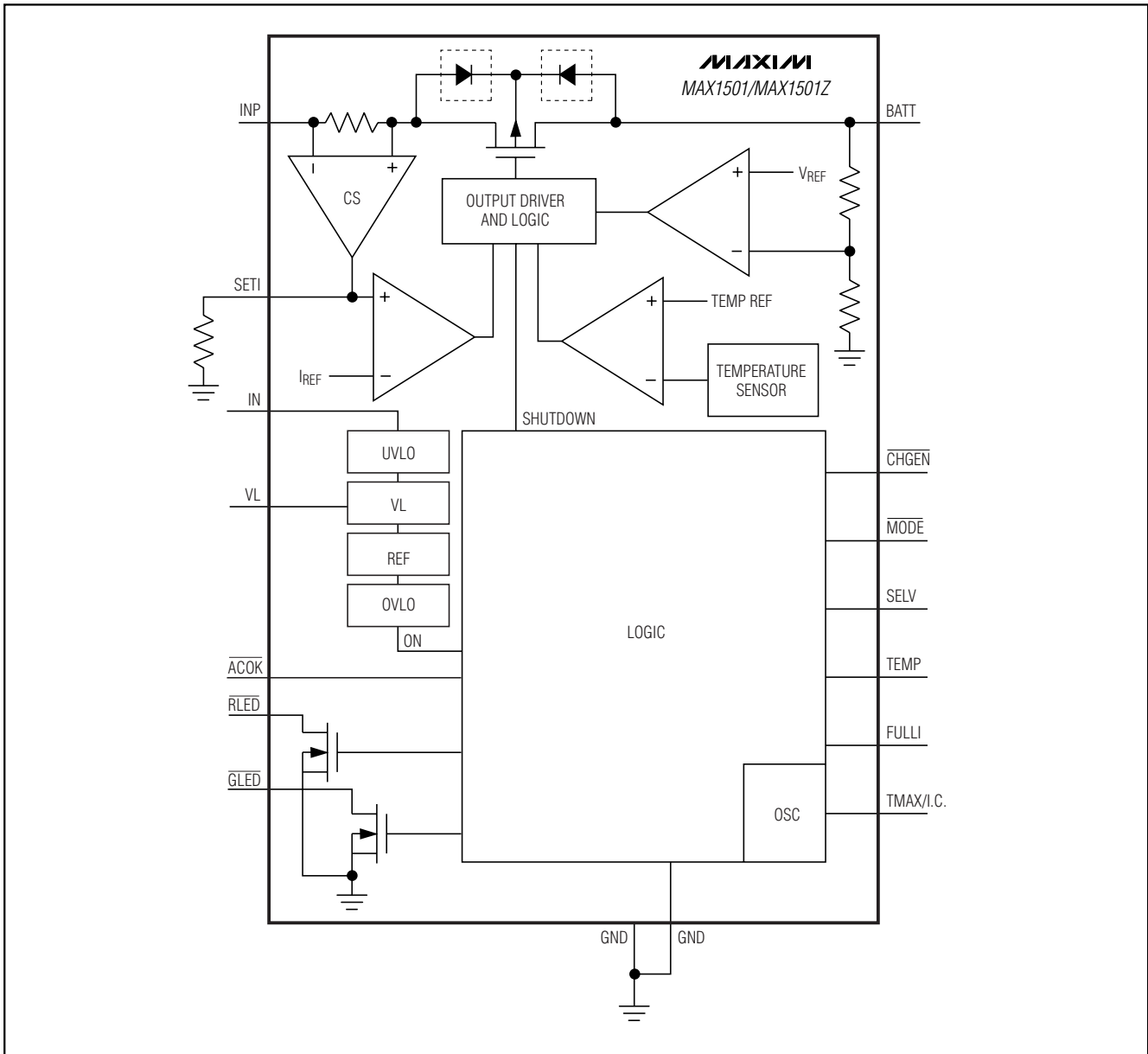


Figure 1. Functional Diagram

Highly Integrated, Linear Battery Charger with Thermal Regulation for Portable Applications

MAX1501

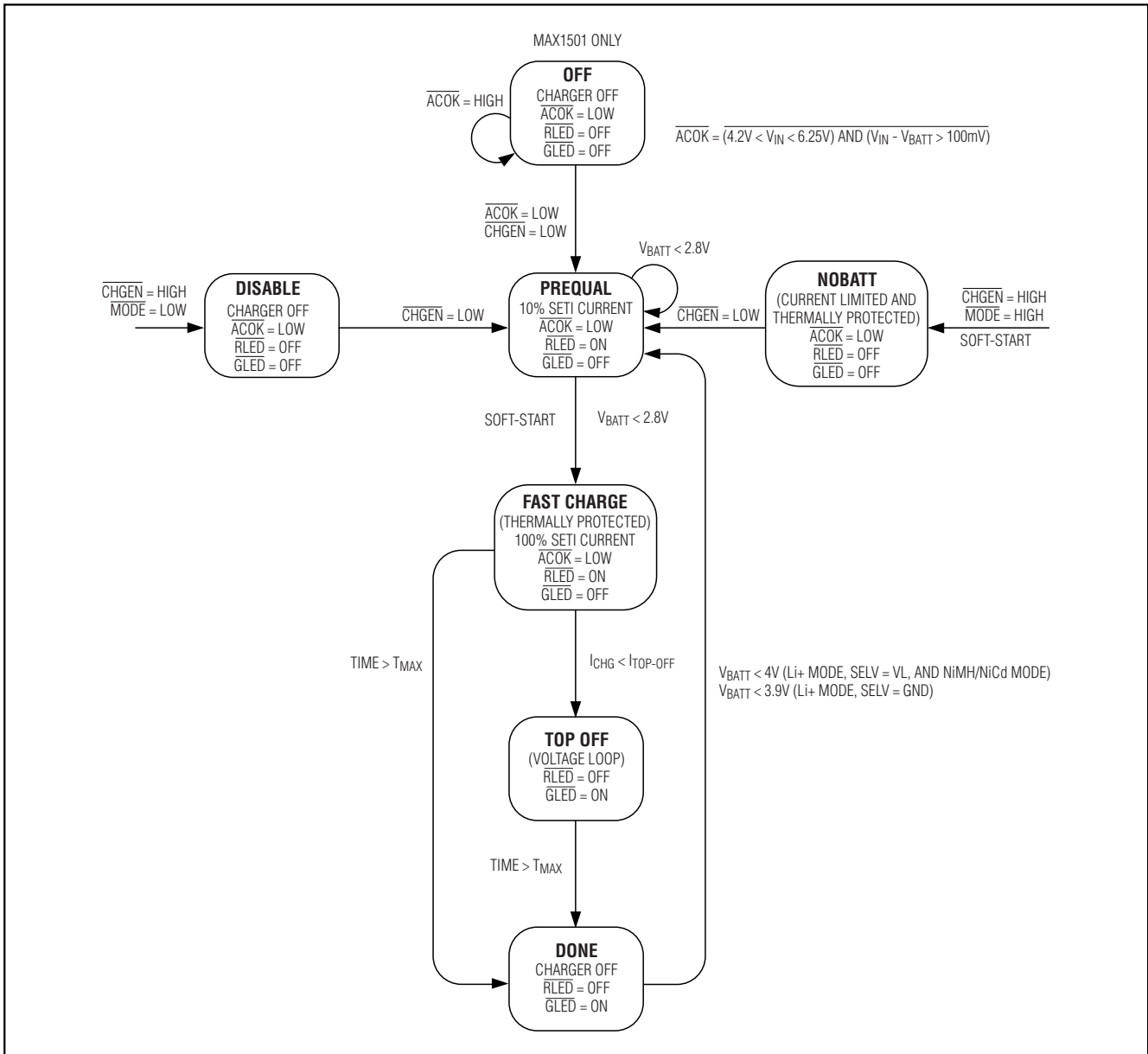


Figure 2. MAX1501 Charge State Diagram

Highly Integrated, Linear Battery Charger with Thermal Regulation for Portable Applications

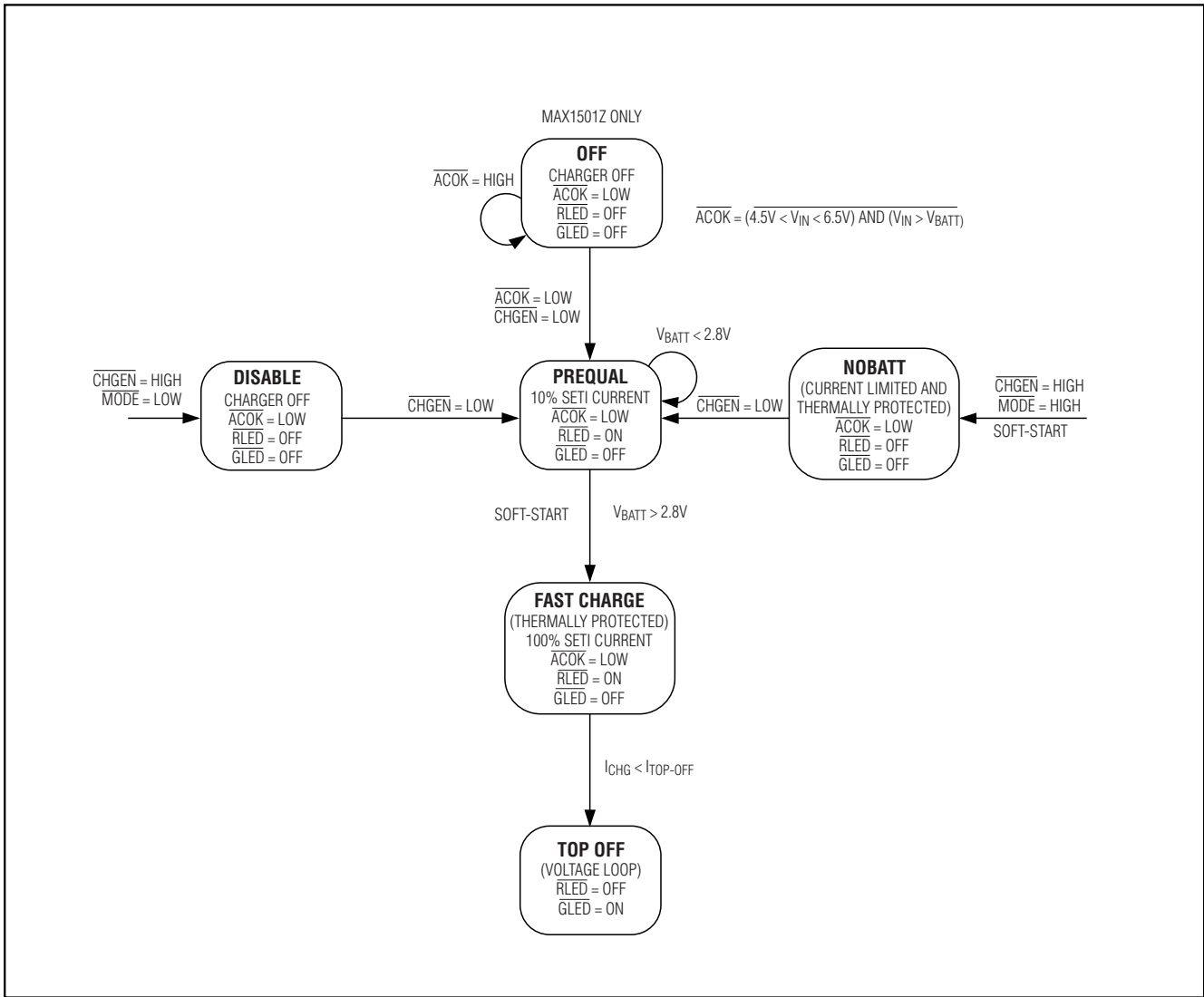


Figure 3. MAX1501Z Charge State Diagram

Detailed Description

Modes of Operation

\overline{CHGEN} and \overline{MODE} together set the operating modes of the MAX1501. Both inputs possess internal 175kΩ pull-down resistors to GND. Table 1 describes the four operating modes of the MAX1501.

Table 1. Modes of Operation

MODE	\overline{CHGEN}	\overline{MODE}
Li+ Charge Mode	0	0
NiMH/NiCd Charge Mode	0	1
Disable Mode	1	0
No-Battery Mode	1	1

Highly Integrated, Linear Battery Charger with Thermal Regulation for Portable Applications

Table 2. Battery Regulation Voltage

CHARGING MODE	SELV	
	GND	VL
Li+	4.1V	4.2V
NiMH/NiCd	4.5V	4.95V

Li+ Charge Mode

Connect $\overline{\text{CHGEN}}$ and $\overline{\text{MODE}}$ to GND to place the MAX1501 in Li+ charging mode. The Li+ charger consists of a voltage-control loop, a current-control loop, and a thermal-control loop. Connect SELV to GND to set the Li+ battery voltage to 4.1V. Connect SELV to VL to set the Li+ battery voltage to 4.2V (Table 2).

The MAX1501 precharges the Li+ battery with 10% of the user-programmed fast-charge current at the start of a charge cycle. A soft-start algorithm ramps up the charging current (10% steps with 20ms duration per step) to the fast-charge current when the battery voltage reaches 2.8V. The MAX1501 enters constant-voltage mode and decreases the charge current when the BATT voltage reaches the selected regulation voltage (4.1V or 4.2V). Set the fast-charge current with a resistor between SET1 and GND (see the *Charge-Current Selection* section).

The thermal-regulation loop limits the MAX1501 die temperature to the value selected by the TEMP input by reducing the charge current as necessary (see the *Thermal-Regulation Selection* section). This feature not only protects the MAX1501 from overheating, but also allows the charge current to be set higher without risking damage to the system.

Set the top-off-current threshold with the three-state FULL1 input (see the *Top-Off-Current Selection* section). $\overline{\text{RLED}}$ goes high impedance and $\overline{\text{GLED}}$ asserts low when the top-off-current threshold is reached. The MAX1501 automatically initiates recharging when the battery voltage drops below 95% of the voltage set by SELV. (The MAX1501Z does not time out.)

NiMH/NiCd Charge Mode

Connect $\overline{\text{CHGEN}}$ to GND and $\overline{\text{MODE}}$ to VL to place the MAX1501 in NiMH/NiCd charging mode. The NiMH/NiCd battery charger consists of a current-control loop, a voltage-control loop, and a thermal-control loop. Connect SELV to GND to set the regulation voltage to 4.5V. Connect SELV to VL to set the regulation voltage to 4.95V (Table 2). When charging three NiMH/NiCd cells to 4.95V, V_{IN} must be at least 5.25V and a μP must be used to terminate the charge sequence.

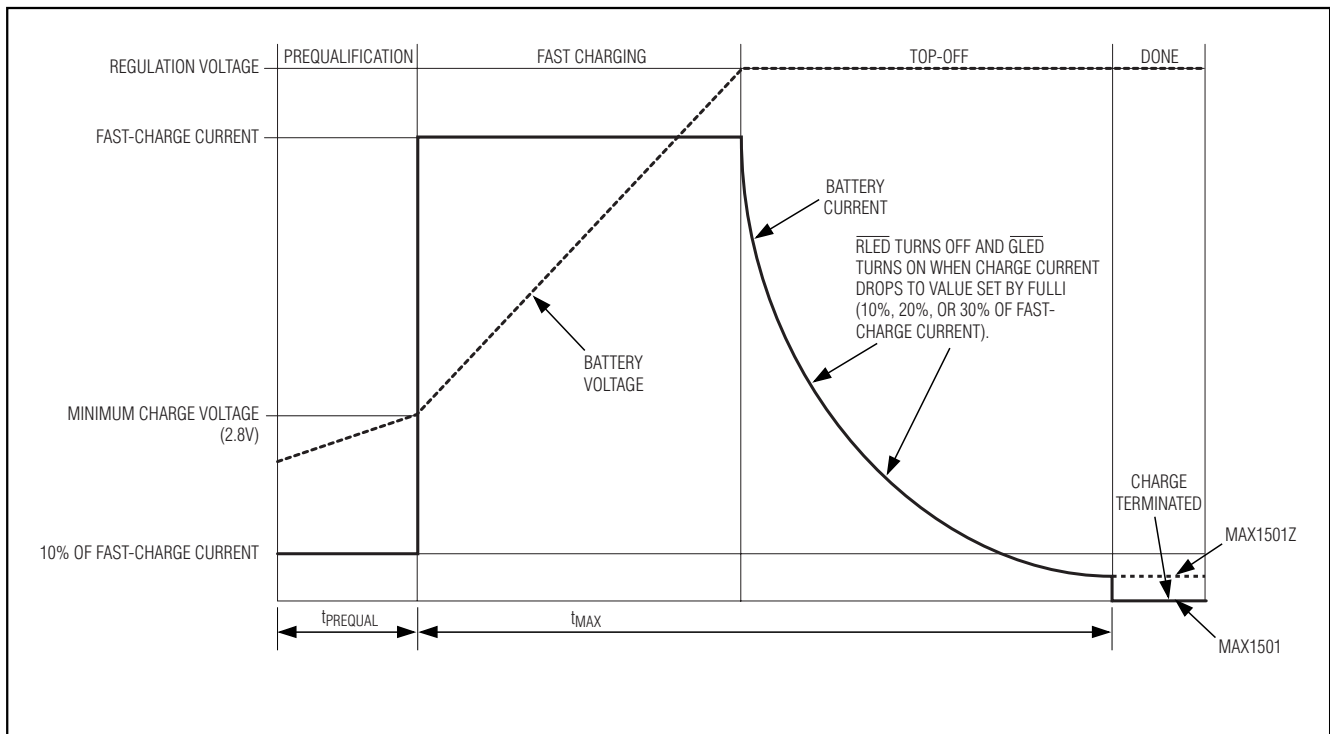


Figure 4. Li+ Charge Sequence

Highly Integrated, Linear Battery Charger with Thermal Regulation for Portable Applications

Table 3. $\overline{\text{RLED}}$ and $\overline{\text{GLED}}$ Behavior

MODE	STATE	$\overline{\text{RLED}}$	$\overline{\text{GLED}}$
Li+ Mode or NiMH/NiCd Mode	<ul style="list-style-type: none"> • 10% current-limited precharge • Current-limited charge • Voltage-limited charge before top-off • Temperature-limited charge before top-off 	Sinks 10mA	High impedance
	<ul style="list-style-type: none"> • Voltage-limited charge after top-off • Safety timer expires (MAX1501 only) 	High impedance	Sinks 20mA
Disable Mode	—	High impedance	High impedance
No Battery Mode	—	High impedance	High impedance

The MAX1501 precharges the NiMH/NiCd battery with 10% of the user-programmed fast-charge current at the start of a charge cycle. Precharge ends and fast charge begins when the battery voltage exceeds 2.8V. Set the fast-charge current with a resistor between SET1 and GND (see the *Charge-Current Selection* section). The MAX1501 enters constant-voltage mode and decreases the charge current when the battery voltage reaches 4.5V.

The thermal-regulation loop limits the MAX1501 die temperature to the value selected by the TEMP input by reducing the charge current as necessary (see the *Thermal-Regulation Selection* section). This feature protects the MAX1501 from overheating when supplying high charge currents, or while operating from high input voltages.

Set the top-off-current threshold with the three-state FULL1 input (see the *Top-Off-Current Selection* section). $\overline{\text{RLED}}$ goes high impedance and $\overline{\text{GLED}}$ asserts low when the top-off current threshold is reached. The MAX1501 automatically initiates recharging when the battery voltage drops below 4V. (The MAX1501Z does not time out.)

No-Battery Mode

Connect $\overline{\text{CHGEN}}$ and $\overline{\text{MODE}}$ to VL to place the MAX1501 in no-battery mode. An external load can be connected to BATT in this mode. V_{BATT} regulates to 4V in no-battery mode, regardless of the state of SELV.

The current-control loop, voltage-control loop, and thermal-control loop all function in no-battery mode. The loop gain of the voltage-control loop decreases to ensure stability with no battery present. Connect a 10 μF ceramic capacitor to BATT for stability. $\overline{\text{RLED}}$ and $\overline{\text{GLED}}$ are both high impedance in no-battery mode.

ACOK

The $\overline{\text{ACOK}}$ output asserts low when V_{IN} is present, $4.2\text{V} \leq V_{\text{IN}} \leq 6.25\text{V}$, and $V_{\text{IN}} - V_{\text{BATT}} > 100\text{mV}$. The $\overline{\text{ACOK}}$ open-drain output requires an external 100k Ω pullup

resistor to an external supply voltage. The external supply voltage must be less than 5.5V.

$\overline{\text{RLED}}$ and $\overline{\text{GLED}}$ Indicators

$\overline{\text{RLED}}$ and $\overline{\text{GLED}}$ serve as visual indicators that power is applied as well as the charge status of a battery. $\overline{\text{RLED}}$ asserts low when a wall adapter is connected and a battery is charging, regardless of cell chemistry. $\overline{\text{GLED}}$ asserts low when power is applied and the battery is fully charged. Both outputs go high-impedance in shutdown. Connect the anode of each LED to IN, and the cathode to $\overline{\text{RLED}}$ or $\overline{\text{GLED}}$. Table 3 summarizes the behavior of $\overline{\text{RLED}}$ and $\overline{\text{GLED}}$ under normal operating conditions. Connect pullup resistors to the μP I/O supply when interfacing $\overline{\text{RLED}}$ and $\overline{\text{GLED}}$ with a μP 's logic inputs.

Soft-Start

A ten-step, soft-start algorithm activates when entering fast-charge mode. The charging current ramps up in 10% increments, 20ms per step, to the full charging current when V_{BATT} exceeds 2.8V.

Applications Information

Charge-Current Selection

Program the charging current using an external resistor between SET1 and GND. Set the charge-current resistor with the following equation:

$$R_{\text{SET1}} = 1000 \times \frac{1.4\text{V}}{I_{\text{BATT}}}$$

If $V_{\text{SET1}} = 1.4\text{V}$, the current-control loop controls the battery charging. If $V_{\text{SET1}} < 1.4\text{V}$, either the voltage-control loop or the thermal-control loop operates. Measure the charging current by monitoring V_{SET1} and using the following equation:

$$V_{\text{SET1}} = \frac{I_{\text{BATT}}}{1000} \times R_{\text{SET1}}$$

Highly Integrated, Linear Battery Charger with Thermal Regulation for Portable Applications

Thermal-Regulation Selection

Set the regulated die temperature of the MAX1501 with the TEMP three-level logic input. The MAX1501 reduces the charge current to limit the die temperature to the value set by TEMP. The MAX1501 operates normally while the thermal loop is active. An active thermal loop does not indicate a fault condition. TEMP allows the MAX1501 to maximize the charge current while providing protection against excessive power dissipation.

Connect TEMP to GND to regulate the die temperature at +95°C. Leave TEMP floating to regulate the die temperature at +115°C. Connect TEMP to VL to regulate the die temperature at +135°C.

Top-Off-Current Selection

Set the top-off-current threshold in the Li+ and NiMH/NiCd charge modes with the FULLI three-level logic input. The top-off-current threshold determines when RLED turns off and GLED turns on, indicating the charge status of the battery.

Connect FULLI to GND to set the top-off-current threshold to 10% of the fast-charge current. Connect FULLI to VL to set the top-off-current threshold to 20% of the fast-charge current. Leave FULLI floating to set the top-off-current threshold to 30% of the fast-charge current.

Charge-Timer Selection (MAX1501 Only)

Set the maximum charging time with the TMAX three-level logic input. TMAX limits the duration of charging to protect the battery from overcharging. Connect TMAX to GND to set the maximum charging time to 3 hours. Leave TMAX floating to set the maximum charging time

to 4.5 hours. Connect TMAX to VL to set the maximum charging time to 6 hours.

Capacitor Selection

Connect a ceramic capacitor from BATT to GND for proper stability. Use a 10µF X5R ceramic capacitor for most applications.

Connect IN and INP together and bypass to GND with a 1µF ceramic capacitor. Use a larger input bypass capacitor for high input voltages or high charging currents to reduce supply noise.

Thermal Considerations

The MAX1501 is available in a thermally enhanced thin QFN package with exposed paddle. Connect the exposed paddle of the MAX1501 to a large copper ground plane to provide a thermal contact between the device and the circuit board. The exposed paddle transfers heat away from the device, allowing the MAX1501 to charge the battery with maximum current, while minimizing the increase in die temperature.

Application Circuits

Figure 5 shows the MAX1501 as a stand-alone Li+ battery charger. The 2.8kΩ resistor connected to SET1 sets a charging current of 500mA.

Figure 6 shows the MAX1501 as a µP-based Li+ battery charger. Drive CHGEN low to charge the battery. Drive CHGEN high to disable the charger. Connect a 100kΩ pullup resistor from ACOK to the logic supply voltage of the µP to detect the presence of an input supply. The logic supply voltage must be less than 5.5V.

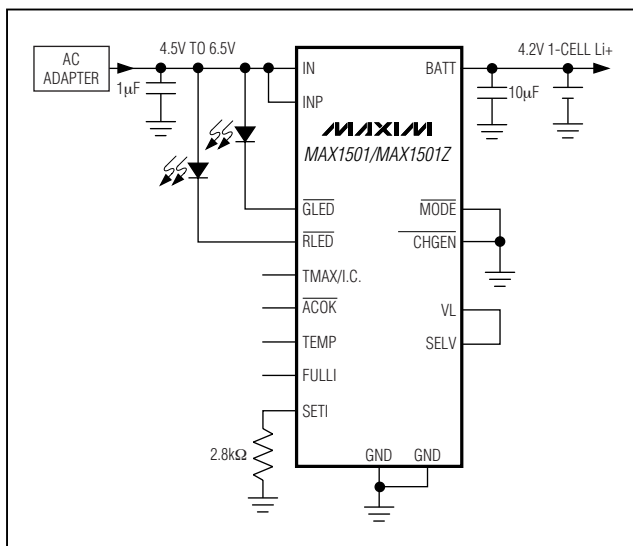


Figure 5. Stand-Alone Li+ Battery Charger

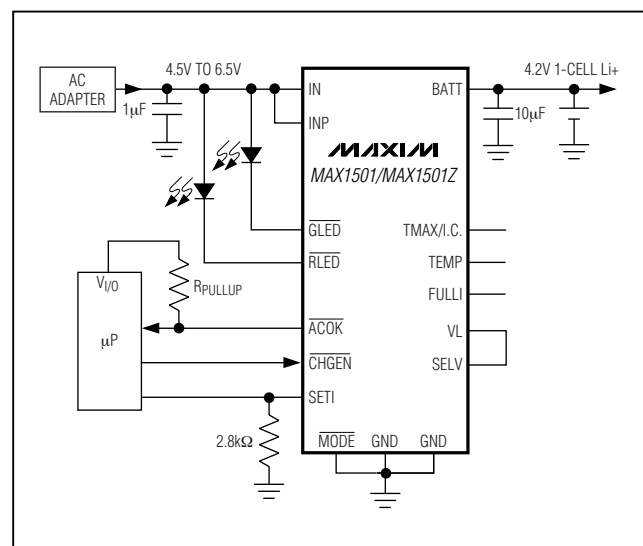


Figure 6. µP-Based Li+ Battery Charger

Highly Integrated, Linear Battery Charger with Thermal Regulation for Portable Applications

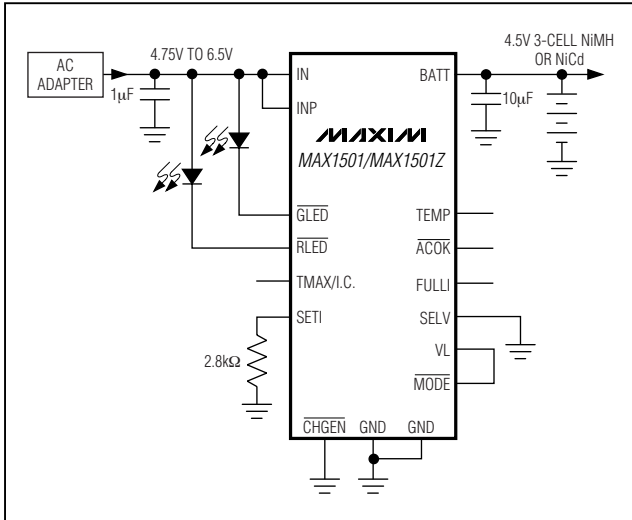


Figure 7. Stand-Alone 3-Cell NiMH or NiCd Battery Charger

Figure 7 shows the MAX1501 as a stand-alone NiMH/NiCd battery charger. Connecting SELV to GND sets the charge termination voltage to 4.5V.

Figure 8 shows the MAX1501 as a μ P-based NiMH/NiCd battery charger. Connecting SELV to VL sets the charge regulation voltage at 4.95V. Connect a 100k Ω pullup resistor from ACOK to the logic supply voltage of the μ P. The logic supply voltage must be less than 5.5V.

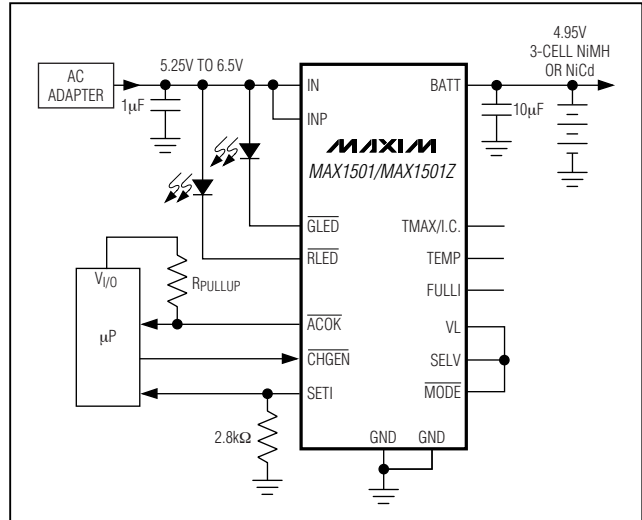


Figure 8. μ P-Based NiMH or NiCd Battery Charge

Figure 9 shows the MAX1501 as a μ P-based single Li+ or 3-cell NiMH/NiCd charger. The states of $\overline{\text{MODE}}$ and $\overline{\text{CHGEN}}$ set the operating mode of the MAX1501 (Table 1). Connect a 100k Ω pullup resistor from ACOK to the logic supply voltage of the μ P. The logic supply voltage must be less than 5.5V.

Figure 10 shows the MAX1501 as an accurate current-limited low-dropout linear regulator with input overvoltage protection (no-battery mode). The output voltage regulates to 4V, regardless of the state of SELV. Connect $\overline{\text{MODE}}$ to VL to enable the linear regulator. Connect $\overline{\text{MODE}}$ to GND to put the device into shutdown. RSETI sets the maximum output current.

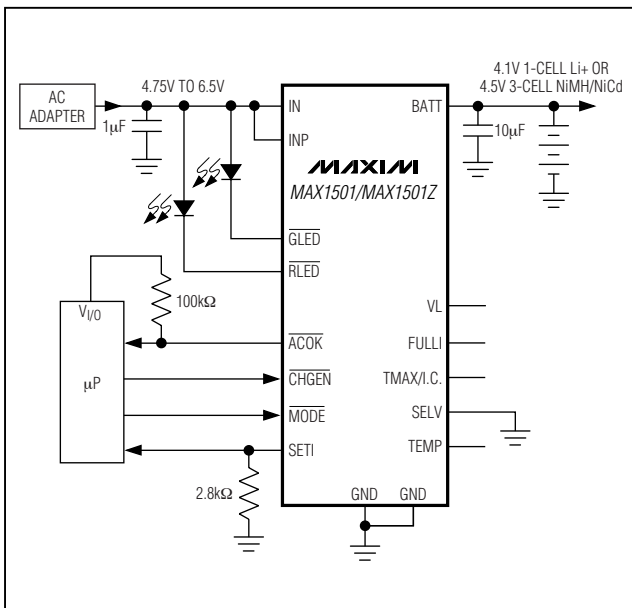


Figure 9. μ P-Based Single Li+/3-Cell NiMH/NiCd Battery Charger

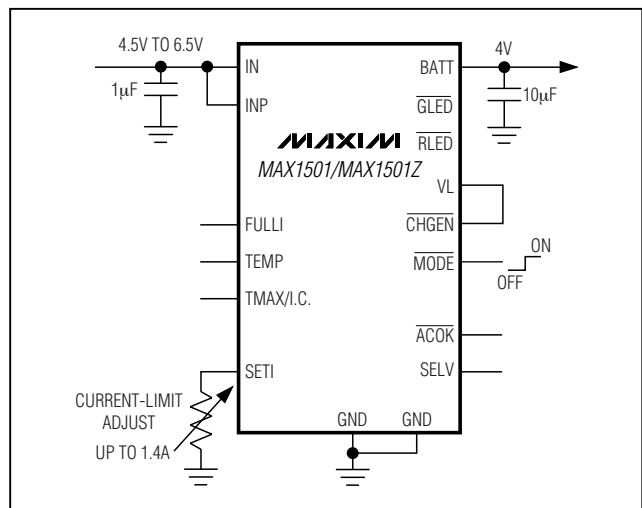


Figure 10. Input Overvoltage-Protected and Current-Limited Low-Dropout Linear Regulator

Highly Integrated, Linear Battery Charger with Thermal Regulation for Portable Applications

MAX1501

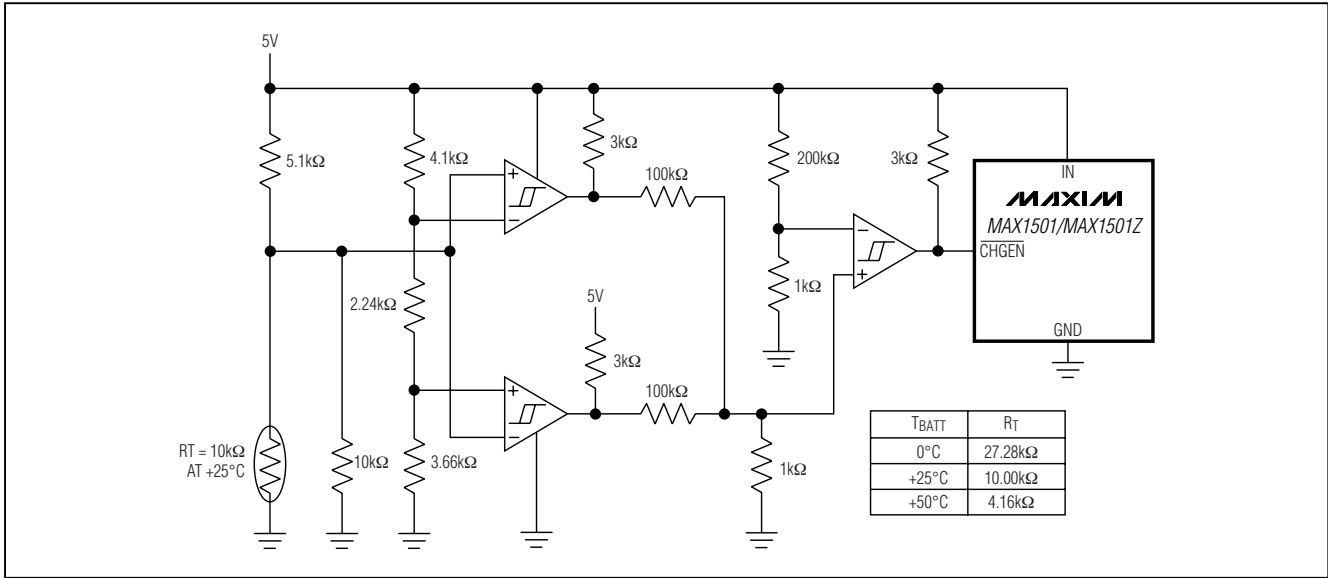


Figure 11. Battery Temperature Protection

Figure 11 shows a circuit that adds temperature protection to the battery. Install the thermistor as close to the battery as possible to ensure accurate temperature measurement. The output of this circuit is logic high when the battery temperature is less than 0°C and greater than +50°C. Driving $\overline{\text{CHGEN}}$ high disables the charger.

Layout and Bypassing

Connect IN and INP together as close to the device as possible and bypass with a 1μF ceramic capacitor. Bypass BATT to GND with a 10μF ceramic capacitor.

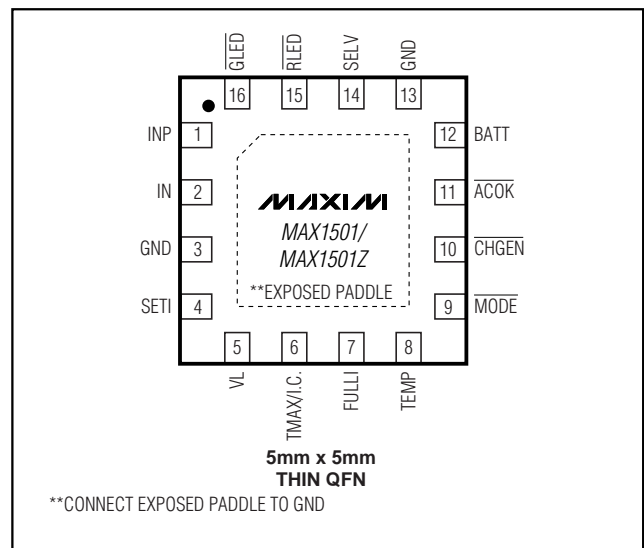
Provide a large copper GND plane to allow the exposed paddle to sink heat away from the device. Connect the battery to BATT as close to the device as possible to provide the most accurate battery voltage sensing. Make all high-current traces short and wide to minimize voltage drops.

Chip Information

TRANSISTOR COUNT: 5717

PROCESS: BiCMOS

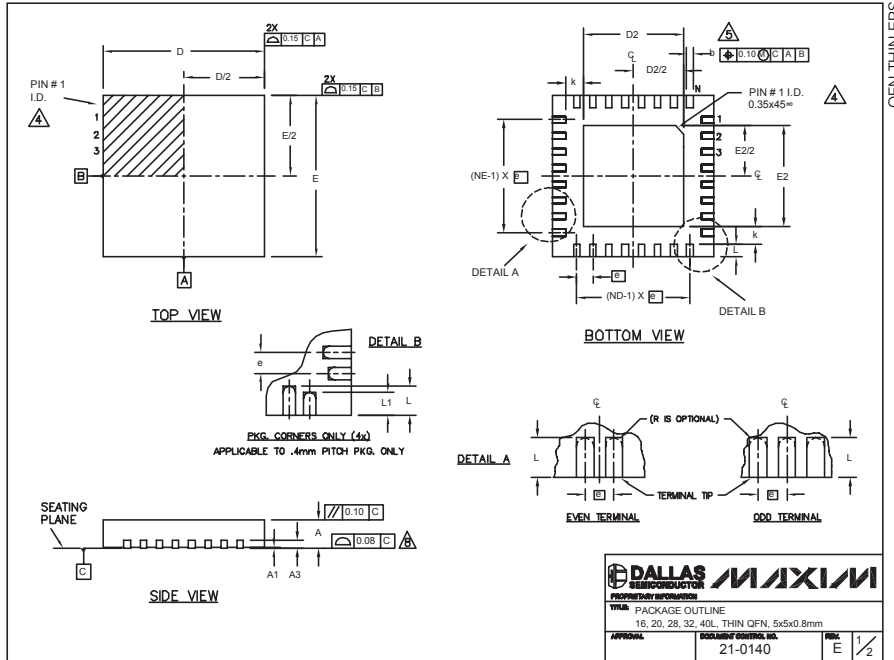
Pin Configuration



Highly Integrated, Linear Battery Charger with Thermal Regulation for Portable Applications

Package Information

(The package drawing(s) in this data sheet may not reflect the most current specifications. For the latest package outline information, go to www.maxim-ic.com/packages.)



DALLAS MAXIM
 SEMICONDUCTOR
 PROPRIETARY INFORMATION
 TYP. PACKAGE OUTLINE
 16, 20, 28, 32, 40L, THIN QFN, 5x5x0.8mm
 APPROVAL: [Signature] DOCUMENT CONTROL NO. 21-0140 REV. E 1/2

COMMON DIMENSIONS															
PKG.	16L 5x5			20L 5x5			28L 5x5			32L 5x5			40L 5x5		
SYMBOL	MIN.	NOM.	MAX.	MIN.	NOM.	MAX.	MIN.	NOM.	MAX.	MIN.	NOM.	MAX.	MIN.	NOM.	MAX.
A	0.70	0.75	0.80	0.70	0.75	0.80	0.70	0.75	0.80	0.70	0.75	0.80	0.70	0.75	0.80
A1	0	0.02	0.05	0	0.02	0.05	0	0.02	0.05	0	0.02	0.05	0	-	0.05
A3	0.20 REF.			0.20 REF.			0.20 REF.			0.20 REF.			0.20 REF.		
b	0.25	0.30	0.35	0.25	0.30	0.35	0.20	0.25	0.30	0.20	0.25	0.30	0.15	0.20	0.25
D	4.90	5.00	5.10	4.90	5.00	5.10	4.90	5.00	5.10	4.90	5.00	5.10	4.90	5.00	5.10
E	4.90	5.00	5.10	4.90	5.00	5.10	4.90	5.00	5.10	4.90	5.00	5.10	4.90	5.00	5.10
e	0.80 BSC.			0.65 BSC.			0.50 BSC.			0.50 BSC.			0.40 BSC.		
k	0.25	-	-	0.25	-	-	0.25	-	-	0.25	-	-	0.25	0.35	0.45
L	0.30	0.40	0.50	0.45	0.55	0.65	0.45	0.55	0.65	0.30	0.40	0.50	0.40	0.50	0.60
L1	-	-	-	-	-	-	-	-	-	-	-	-	0.30	0.40	0.50
N	16			20			28			32			40		
ND	4			5			7			8			10		
NE	4			5			7			8			10		
JEDEC	WHHB			WHHC			WHHD-1			WHHD-2			-		

EXPOSED PAD VARIATIONS									
PKG. CODES	D2			E2			DOWN BOND ALLOWED		
	MIN.	NOM.	MAX.	MIN.	NOM.	MAX.			
T1655-1	3.00	3.10	3.20	3.00	3.10	3.20	NO		
T1655-2	3.00	3.10	3.20	3.00	3.10	3.20	YES		
T2055-2	3.00	3.10	3.20	3.00	3.10	3.20	NO		
T2055-3	3.00	3.10	3.20	3.00	3.10	3.20	YES		
T2055-4	3.00	3.10	3.20	3.00	3.10	3.20	NO		
T2855-1	3.15	3.25	3.35	3.15	3.25	3.35	NO		
T2855-2	2.60	2.70	2.80	2.60	2.70	2.80	NO		
T2855-3	3.15	3.25	3.35	3.15	3.25	3.35	YES		
T2855-4	2.60	2.70	2.80	2.60	2.70	2.80	YES		
T2855-5	2.60	2.70	2.80	2.60	2.70	2.80	NO		
T2855-6	3.15	3.25	3.35	3.15	3.25	3.35	NO		
T2855-7	2.60	2.70	2.80	2.60	2.70	2.80	YES		
T3255-2	3.00	3.10	3.20	3.00	3.10	3.20	NO		
T3255-3	3.00	3.10	3.20	3.00	3.10	3.20	YES		
T3255-4	3.00	3.10	3.20	3.00	3.10	3.20	NO		
T4055-1	3.20	3.30	3.40	3.20	3.30	3.40	YES		

NOTES:

- DIMENSIONING & TOLERANCING CONFORM TO ASME Y14.5M-1994.
- ALL DIMENSIONS ARE IN MILLIMETERS. ANGLES ARE IN DEGREES.
- N IS THE TOTAL NUMBER OF TERMINALS.
- THE TERMINAL #1 IDENTIFIER AND TERMINAL NUMBERING CONVENTION SHALL CONFORM TO JEDEC 95-1 SPP-012. DETAILS OF TERMINAL #1 IDENTIFIER ARE OPTIONAL, BUT MUST BE LOCATED WITHIN THE ZONE INDICATED. THE TERMINAL #1 IDENTIFIER MAY BE EITHER A MOLD OR MARKED FEATURE.
- DIMENSION b APPLIES TO METALLIZED TERMINAL AND IS MEASURED BETWEEN 0.25 mm AND 0.30 mm FROM TERMINAL TIP.
- ND AND NE REFER TO THE NUMBER OF TERMINALS ON EACH D AND E SIDE RESPECTIVELY.
- DEPOPULATION IS POSSIBLE IN A SYMMETRICAL FASHION.
- COPLANARITY APPLIES TO THE EXPOSED HEAT SINK SLUG AS WELL AS THE TERMINALS.
- DRAWING CONFORMS TO JEDEC MO220, EXCEPT EXPOSED PAD DIMENSION FOR T2855-1, T2855-3 AND T2855-6.
- WARPAGE SHALL NOT EXCEED 0.10 mm.

DALLAS MAXIM
 SEMICONDUCTOR
 PROPRIETARY INFORMATION
 TYP. PACKAGE OUTLINE
 16, 20, 28, 32, 40L, THIN QFN, 5x5x0.8mm
 APPROVAL: [Signature] DOCUMENT CONTROL NO. 21-0140 REV. E 2/2

Maxim cannot assume responsibility for use of any circuitry other than circuitry entirely embodied in a Maxim product. No circuit patent licenses are implied. Maxim reserves the right to change the circuitry and specifications without notice at any time.

16 **Maxim Integrated Products, 120 San Gabriel Drive, Sunnyvale, CA 94086 408-737-7600**