

# MC33363B

## High Voltage Switching Regulator

The MC33363B is a monolithic high voltage switching regulator that is specifically designed to operate from a rectified 240 Vac line source. This integrated circuit features an on-chip 700 V/1.0 A SENSEFET® power switch, 500 V active off-line startup FET, duty cycle controlled oscillator, current limiting comparator with a programmable threshold and leading edge blanking, latching pulse width modulator for double pulse suppression, high gain error amplifier, and a trimmed internal bandgap reference. Protective features include cycle-by-cycle current limiting, input undervoltage lockout with hysteresis, overvoltage protection, and thermal shutdown. This device is available in a 16-lead dual-in-line and wide body surface mount packages.

### Features

- On-Chip 700 V, 1.0 A SENSEFET Power Switch
- Rectified 240 Vac Line Source Operation
- On-Chip 500 V Active Off-Line Startup FET
- Latching PWM for Double Pulse Suppression
- Cycle-By-Cycle Current Limiting
- Input Undervoltage Lockout with Hysteresis
- Over-Voltage Protection
- Trimmed Internal Bandgap Reference
- Internal Thermal Shutdown
- These are Pb-Free Devices\*

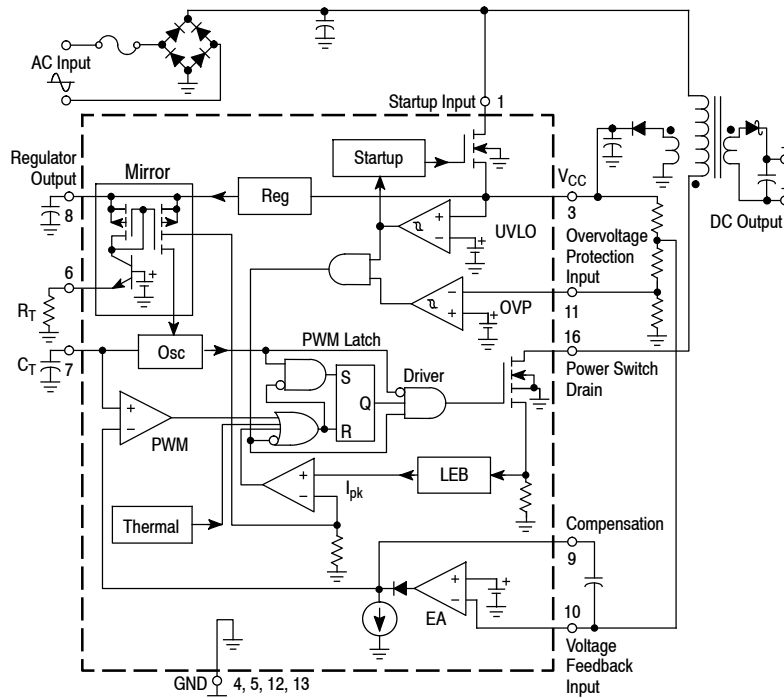


Figure 1. Simplified Application

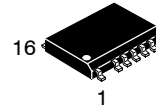
\*For additional information on our Pb-Free strategy and soldering details, please download the ON Semiconductor Soldering and Mounting Techniques Reference Manual, SOLDERRM/D.



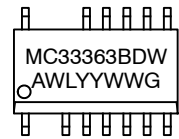
ON Semiconductor®

<http://onsemi.com>

### MARKING DIAGRAMS

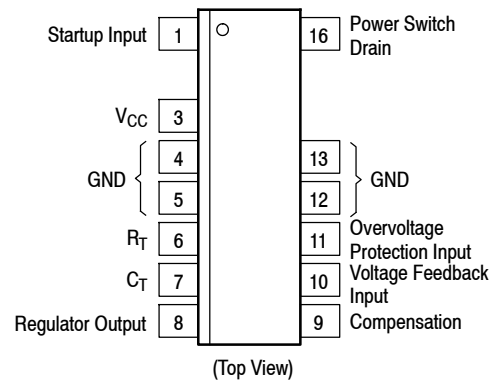


SO-16WB  
DW SUFFIX  
CASE 751N



A = Assembly Location  
WL = Wafer Lot  
YY = Year  
WW = Work Week  
G = Pb-Free Package

### PIN CONNECTIONS



### ORDERING INFORMATION

| Device        | Package           | Shipping†        |
|---------------|-------------------|------------------|
| MC33363BDWG   | SO-16WB (Pb-Free) | 47 Units/Rail    |
| MC33363BDWR2G | SO-16WB (Pb-Free) | 1000 Tape & Reel |

†For information on tape and reel specifications, including part orientation and tape sizes, please refer to our Tape and Reel Packaging Specification Brochure, BRD8011/D.

# MC33363B

## MAXIMUM RATINGS (Note 1)

| Rating  | Symbol   | Value                | Unit          |
|---|--|----------------------|---------------|
| Power Switch (Pin 16)<br>Drain Voltage<br>Drain Current   | $V_{DS}$<br>$I_{DS}$   | 700<br>1.0           | V<br>A        |
| Startup Input Voltage (Pin 1, Note 2)   | $V_{in}$   | 500                  | V             |
| Power Supply Voltage (Pin 3)  | $V_{CC}$   | 40                   | V             |
| Input Voltage Range<br>Voltage Feedback Input (Pin 10)<br>Compensation (Pin 9)<br>Overvoltage Protection Input (Pin 11)<br>$R_T$ (Pin 6)<br>$C_T$ (Pin 7)   | $V_{IR}$   | -1.0 to $V_{reg}$    | V             |
| Thermal Characteristics<br>P Suffix, Dual-In-Line Case 648E<br>Thermal Resistance, Junction-to-Air<br>Thermal Resistance, Junction-to-Case<br>DW Suffix, Surface Mount Case 751G<br>Thermal Resistance, Junction-to-Air<br>Thermal Resistance, Junction-to-Case | $R_{\theta JA}$<br>$R_{\theta JC}$<br>$R_{\theta JA}$<br>$R_{\theta JC}$ | 80<br>15<br>95<br>15 | $^{\circ}C/W$ |
| Operating Junction Temperature  | $T_J$  | -25 to +150          | $^{\circ}C$   |
| Storage Temperature   | $T_{stg}$  | -55 to +150          | $^{\circ}C$   |

Stresses exceeding Maximum Ratings may damage the device. Maximum Ratings are stress ratings only. Functional operation above the Recommended Operating Conditions is not implied. Extended exposure to stresses above the Recommended Operating Conditions may affect device reliability.

- This device series contains ESD protection and exceeds the following tests:  
Human Body Model 2000 V per MIL-STD-883, Method 3015.  
Machine Model Method 200 V.
- Maximum power dissipation limits must be observed.
- Tested junction temperature range for the MC33363B:  $T_{low} = -25^{\circ}C$   $T_{high} = +125^{\circ}C$

**ELECTRICAL CHARACTERISTICS** ( $V_{CC} = 20$  V,  $R_T = 10$  k,  $C_T = 390$  pF,  $C_{Pin 8} = 1.0$   $\mu$ F, for typical values  $T_J = 25^{\circ}C$ , for min/max values  $T_J$  is the operating junction temperature range that applies (Note 3), unless otherwise noted.)

| Characteristic | Symbol | Min | Typ | Max | Unit |
|----------------|--------|-----|-----|-----|------|
|----------------|--------|-----|-----|-----|------|

### REGULATOR (Pin 8)

|   |              |     |     |     |    |
|---|--------------|-----|-----|-----|----|
| Output Voltage ( $I_O = 0$ mA, $T_J = 25^{\circ}C$ )    | $V_{reg}$    | 5.5 | 6.5 | 7.5 | V  |
| Line Regulation ( $V_{CC} = 20$ V to 40 V)              | $Reg_{line}$ | -   | 30  | 500 | mV |
| Load Regulation ( $I_O = 0$ mA to 10 mA)                | $Reg_{load}$ | -   | 44  | 200 | mV |
| Total Output Variation over Line, Load, and Temperature | $V_{reg}$    | 5.3 | -   | 8.0 | V  |

### OSCILLATOR (Pin 7)

|   |                           |            |          |            |     |
|---|---------------------------|------------|----------|------------|-----|
| Frequency<br>$C_T = 390$ pF<br>$T_J = 25^{\circ}C$ ( $V_{CC} = 20$ V)<br>$T_J = T_{low}$ to $T_{high}$ ( $V_{CC} = 20$ V to 40 V)<br>$C_T = 2.0$ nF<br>$T_J = 25^{\circ}C$ ( $V_{CC} = 20$ V)<br>$T_J = T_{low}$ to $T_{high}$ ( $V_{CC} = 20$ V to 40 V) | $f_{OSC}$                 | 260<br>255 | 285<br>- | 310<br>315 | kHz |
| Frequency Change with Voltage ( $V_{CC} = 20$ V to 40 V)  | $\Delta f_{OSC}/\Delta V$ | -          | 0.1      | 2.0        | kHz |

### ERROR AMPLIFIER (Pins 9, 10)

|   |                      |          |            |           |     |
|---|----------------------|----------|------------|-----------|-----|
| Voltage Feedback Input Threshold  | $V_{FB}$             | 2.52     | 2.6        | 2.68      | V   |
| Line Regulation ( $V_{CC} = 20$ V to 40 V, $T_J = 25^{\circ}C$ )  | $Reg_{line}$         | -        | 0.6        | 5.0       | mV  |
| Input Bias Current ( $V_{FB} = 2.6$ V, $T_J = 0 - 125^{\circ}C$ )   | $I_{IB}$             | -        | 20         | 500       | nA  |
| Open Loop Voltage Gain ( $T_J = 25^{\circ}C$ )  | $A_{VOL}$            | 70       | 82         | 94        | dB  |
| Gain Bandwidth Product ( $f = 100$ kHz, $T_J = 25^{\circ}C$ )   | GBW                  | 0.85     | 1.0        | 1.15      | MHz |
| Output Voltage Swing<br>High State ( $I_{Source} = 100$ $\mu$ A, $V_{FB} < 2.0$ V)<br>Low State ( $I_{Sink} = 100$ $\mu$ A, $V_{FB} > 3.0$ V) | $V_{OH}$<br>$V_{OL}$ | 4.0<br>- | 5.3<br>0.2 | -<br>0.35 | V   |

# MC33363B

**ELECTRICAL CHARACTERISTICS** ( $V_{CC} = 20\text{ V}$ ,  $R_T = 10\text{ k}$ ,  $C_T = 390\text{ pF}$ ,  $C_{Pin\ 8} = 1.0\text{ }\mu\text{F}$ , for typical values  $T_J = 25^\circ\text{C}$ , for min/max values  $T_J$  is the operating junction temperature range that applies (Note 4), unless otherwise noted.)

| Characteristic | Symbol | Min | Typ | Max | Unit |
|----------------|--------|-----|-----|-----|------|
|----------------|--------|-----|-----|-----|------|

## OVERVOLTAGE DETECTION (Pin 11)

|  |          |      |     |      |    |
|--|----------|------|-----|------|----|
| Input Threshold Voltage  | $V_{th}$ | 2.47 | 2.6 | 2.73 | V  |
| Input Bias Current ( $V_{in} = 2.6\text{ V}$ , $T_J = -25 - 125^\circ\text{C}$ ) | $I_{IB}$ | -    | 100 | 500  | nA |

## PWM COMPARATOR (Pins 7, 9)

|                                     |              |    |    |    |   |
|-------------------------------------|--------------|----|----|----|---|
| Duty Cycle                          |              |    |    |    | % |
| Maximum ( $V_{FB} = 0\text{ V}$ )   | $DC_{(max)}$ | 48 | 50 | 52 |   |
| Minimum ( $V_{FB} = 2.7\text{ V}$ ) | $DC_{(min)}$ | -  | 0  | 0  |   |

## POWER SWITCH (Pin 16)

|   |              |        |           |           |               |
|---|--------------|--------|-----------|-----------|---------------|
| Drain-Source On-State Resistance ( $I_D = 200\text{ mA}$ )<br>$T_J = 25^\circ\text{C}$<br>$T_J = T_{low}$ to $T_{high}$         | $R_{DS(on)}$ | -<br>- | 15<br>-   | 17<br>39  | $\Omega$      |
| Drain-Source Off-State Leakage Current ( $V_{DS} = 650\text{ V}$ )<br>$T_J = 25^\circ\text{C}$<br>$T_J = T_{low}$ to $T_{high}$ | $I_{D(off)}$ | -<br>- | 0.25<br>- | 1.0<br>50 | $\mu\text{A}$ |
| Rise Time   | $t_r$        | -      | 50        | -         | ns            |
| Fall Time   | $t_f$        | -      | 50        | -         | ns            |

## OVERCURRENT COMPARATOR (Pin 16)

|   |           |     |      |     |   |
|---|-----------|-----|------|-----|---|
| Current Limit Threshold ( $R_T = 10\text{ k}$ ) | $I_{lim}$ | 0.5 | 0.72 | 0.9 | A |
|---|-----------|-----|------|-----|---|

## STARTUP CONTROL (Pin 1)

|  |              |            |            |            |               |
|--|--------------|------------|------------|------------|---------------|
| Peak Startup Current ( $V_{in} = 50\text{ V}$ ) ( $T_J = -25 - 100^\circ\text{C}$ )<br>$V_{CC} = 0\text{ V}$<br>$V_{CC} = (V_{th(on)} - 0.2\text{ V})$ | $I_{start}$  | 2.0<br>2.0 | 5.0<br>5.0 | 8.0<br>8.0 | mA            |
| Off-State Leakage Current ( $V_{in} = 50\text{ V}$ , $V_{CC} = 20\text{ V}$ )  | $I_{D(off)}$ | -          | 40         | 200        | $\mu\text{A}$ |

## UNDERVOLTAGE LOCKOUT (Pin 3)

|  |               |     |      |      |   |
|--|---------------|-----|------|------|---|
| Startup Threshold ( $V_{CC}$ Increasing) | $V_{th(on)}$  | 11  | 15.2 | 18   | V |
| Minimum Operating Voltage After Turn-On  | $V_{CC(min)}$ | 7.5 | 9.5  | 11.5 | V |

## TOTAL DEVICE (Pin 3)

|   |          |        |             |            |    |
|---|----------|--------|-------------|------------|----|
| Power Supply Current<br>Startup ( $V_{CC} = 10\text{ V}$ , Pin 1 Open)<br>Operating | $I_{CC}$ | -<br>- | 0.25<br>3.2 | 0.5<br>5.0 | mA |
|---|----------|--------|-------------|------------|----|

## THERMAL SHUTDOWN

|  |          |   |     |   |                  |
|--|----------|---|-----|---|------------------|
| Shutdown (Junction Temperature Increasing)   | $T_{sd}$ | - | 135 | - | $^\circ\text{C}$ |
| Hysteresis (Junction Temperature Decreasing) | $T_H$    | - | 30  | - |                  |

4. Tested junction temperature range for the MC33363B:  $T_{low} = -25^\circ\text{C}$   $T_{high} = +125^\circ\text{C}$

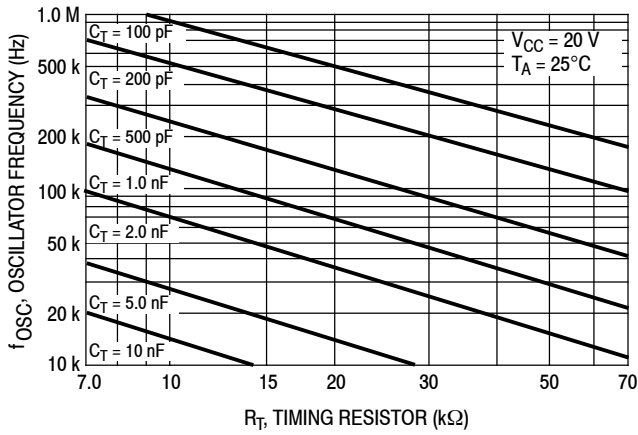


Figure 2. Oscillator Frequency versus Timing Resistor

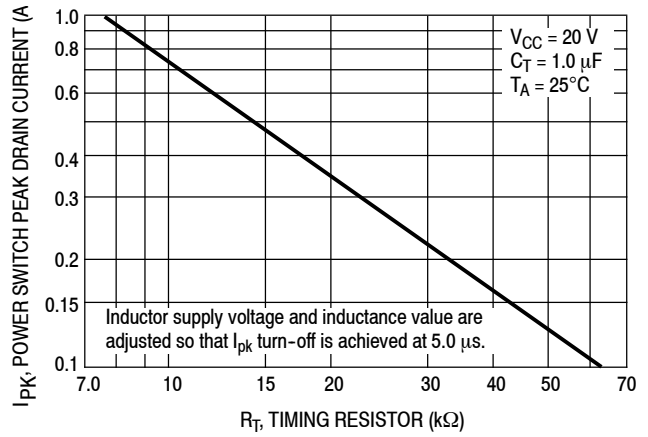


Figure 3. Power Switch Peak Drain Current versus Timing Resistor

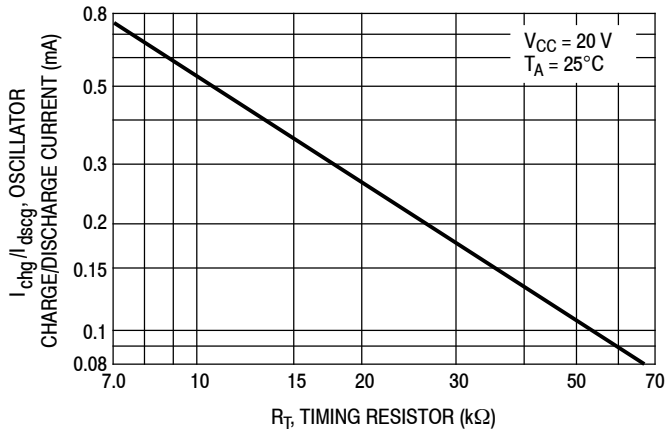


Figure 4. Oscillator Charge/Discharge Current versus Timing Resistor

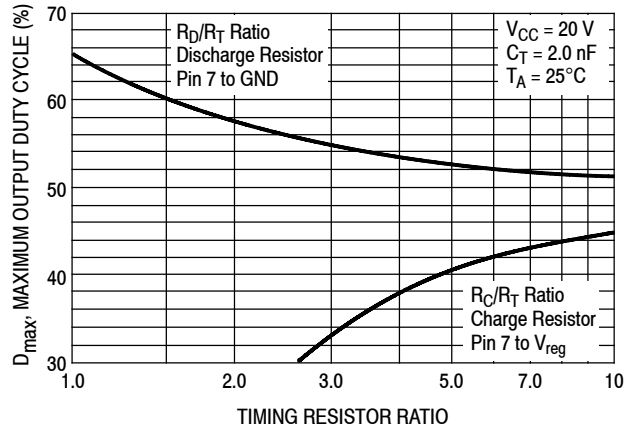


Figure 5. Maximum Output Duty Cycle versus Timing Resistor Ratio

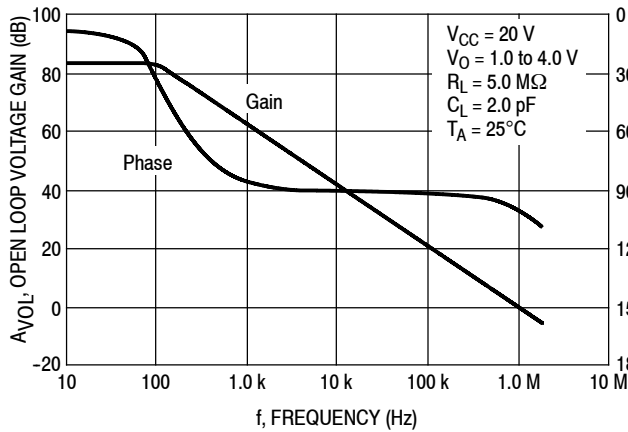


Figure 6. Error Amp Open Loop Gain and Phase versus Frequency

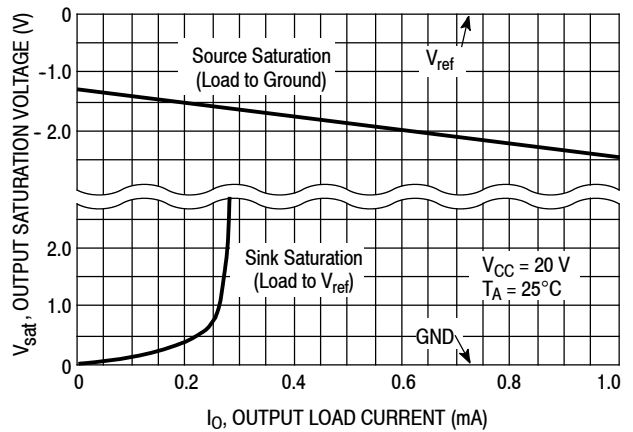


Figure 7. Error Amp Output Saturation Voltage versus Load Current

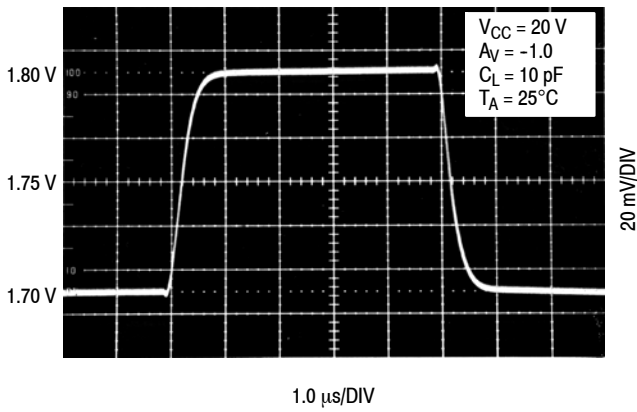


Figure 8. Error Amplifier Small Signal Transient Response

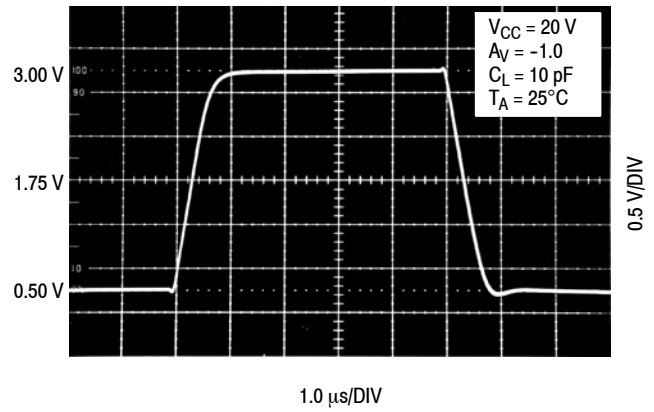


Figure 9. Error Amplifier Large Signal Transient Response

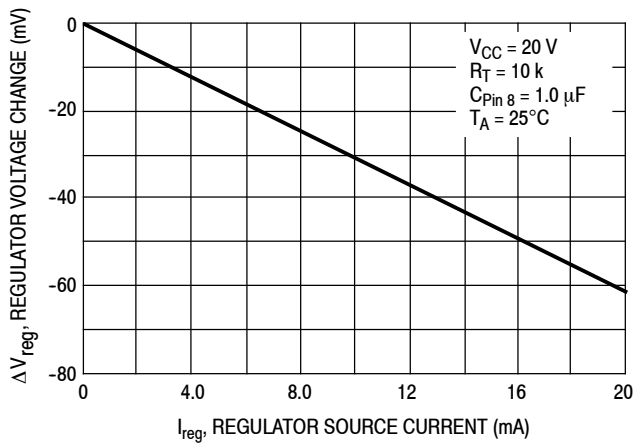


Figure 10. Regulator Output Voltage Change versus Source Current

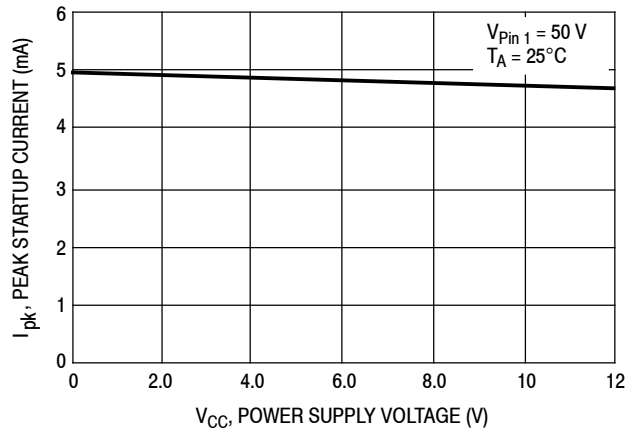


Figure 11. Peak Startup Current versus Power Supply Voltage

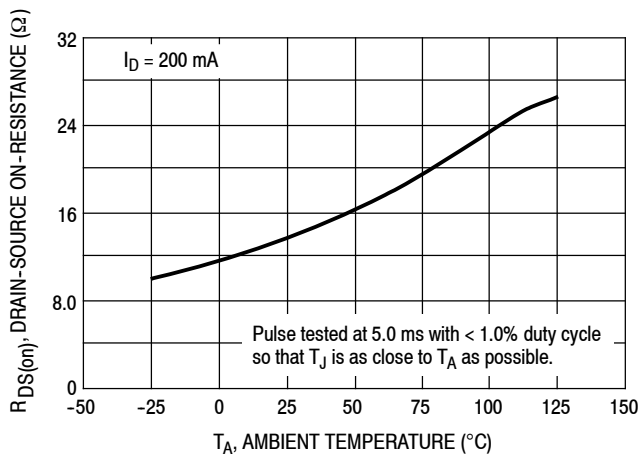


Figure 12. Power Switch Drain-Source On-Resistance versus Temperature

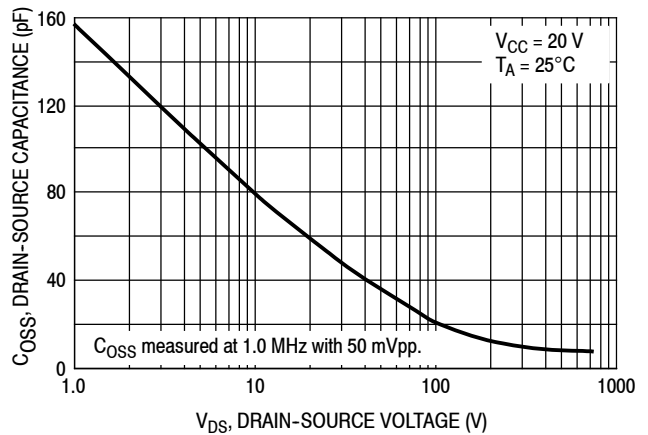


Figure 13. Power Switch Drain-Source Capacitance versus Voltage

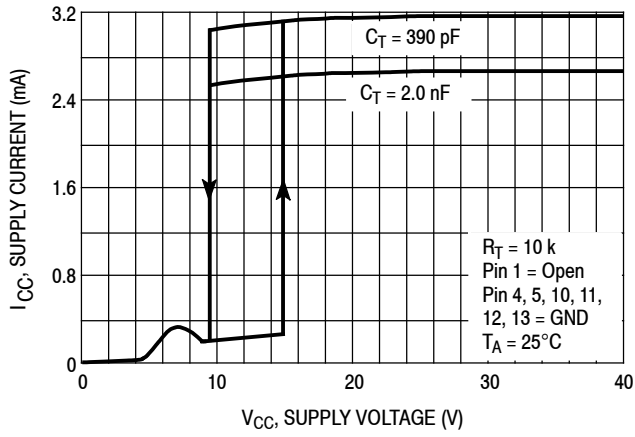


Figure 14. Supply Current versus Supply Voltage

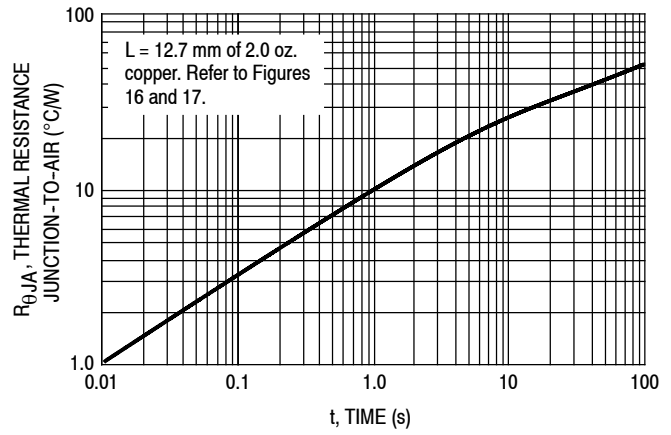


Figure 15. DW and P Suffix Transient Thermal Resistance

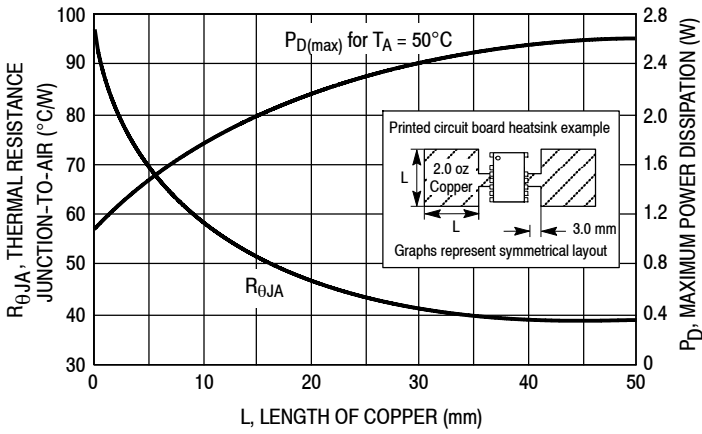


Figure 16. DW Suffix (SOP-16L) Thermal Resistance and Maximum Power Dissipation versus P.C.B. Copper Length

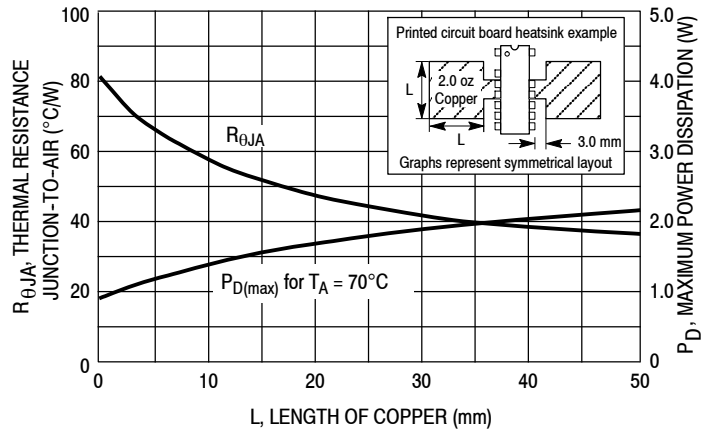


Figure 17. P Suffix (DIP-16) Thermal Resistance and Maximum Power Dissipation versus P.C.B. Copper Length

# MC33363B

## PIN FUNCTION DESCRIPTION

| Pin          | Function                      | Description   |
|--------------|-------------------------------|---|
| 1            | Startup Input                 | This pin connects directly to the rectified ac line voltage source. Internally Pin 1 is tied to the drain of a high voltage startup MOSFET. During startup, the MOSFET supplies internal bias, and charges an external capacitor that connects from the $V_{CC}$ pin to ground.                             |
| 2            | -                             | This pin has been omitted for increased spacing between the rectified ac line voltage on Pin 1 and the $V_{CC}$ potential on Pin 3.   |
| 3            | $V_{CC}$                      | This is the positive supply voltage input. During startup, power is supplied to this input from Pin 1. When $V_{CC}$ reaches the UVLO upper threshold, the startup MOSFET turns off and power is supplied from an auxiliary transformer winding.  |
| 4, 5, 12, 13 | Ground                        | These pins are the control circuit grounds. They are part of the IC lead frame and provide a thermal path from the die to the printed circuit board.  |
| 6            | $R_T$                         | Resistor $R_T$ connects from this pin to ground. The value selected will program the Current Limit Comparator threshold and affect the Oscillator frequency.  |
| 7            | $C_T$                         | Capacitor $C_T$ connects from this pin to ground. The value selected, in conjunction with resistor $R_T$ , programs the Oscillator frequency.   |
| 8            | Regulator Output              | This 6.5 V output is available for biasing external circuitry. It requires an external bypass capacitor of at least 1.0 $\mu$ F for stability.  |
| 9            | Compensation                  | This pin is the Error Amplifier output and is made available for loop compensation. It can be used as an input to directly control the PWM Comparator.  |
| 10           | Voltage Feedback Input        | This is the inverting input of the Error Amplifier. It has a 2.6 V threshold and normally connects through a resistor divider to the converter output, or to a voltage that represents the converter output.  |
| 11           | Oversvoltage Protection Input | This input provides runaway output voltage protection due to an external component or connection failure in the control loop feedback signal path. It has a 2.6 V threshold and normally connects through a resistor divider to the converter output, or to a voltage that represents the converter output. |
| 14, 15       | -                             | These pins have been omitted for increased spacing between the high voltages present on the Power Switch Drain, and the ground potential on Pins 12 and 13.   |
| 16           | Power Switch Drain            | This pin is designed to directly drive the converter transformer and is capable of switching a maximum of 700 V and 1.0 A.  |

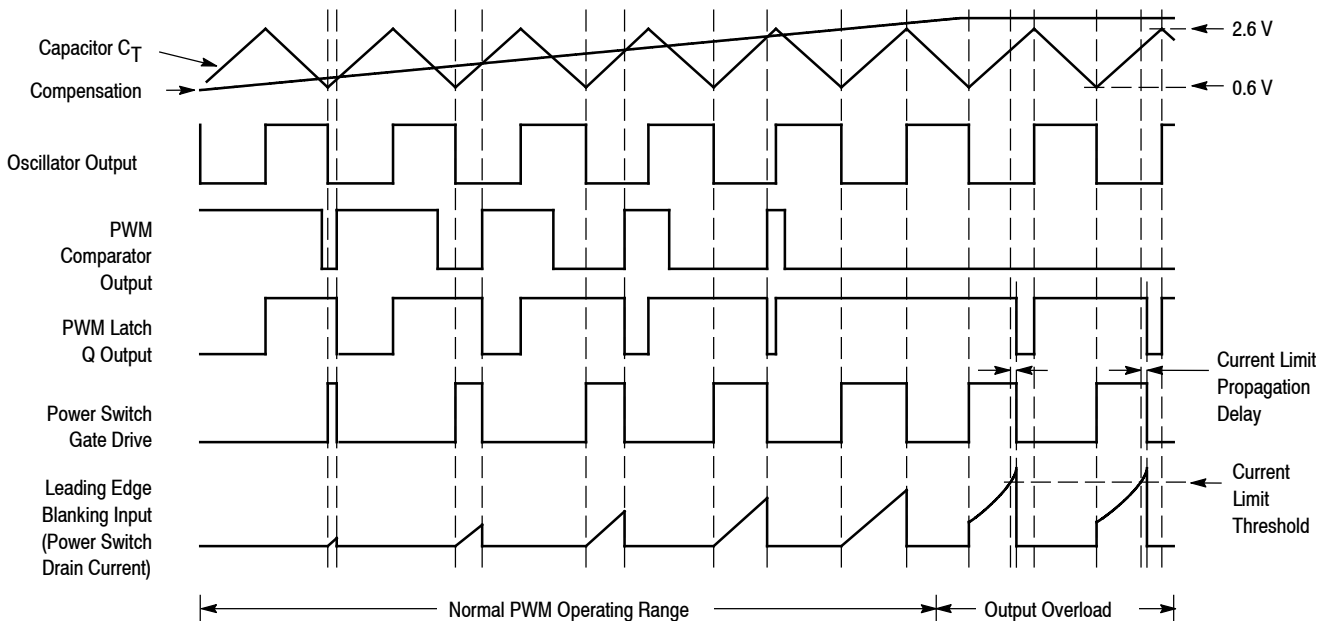


Figure 18. Timing Diagram of Normal Operation

# MC33363B

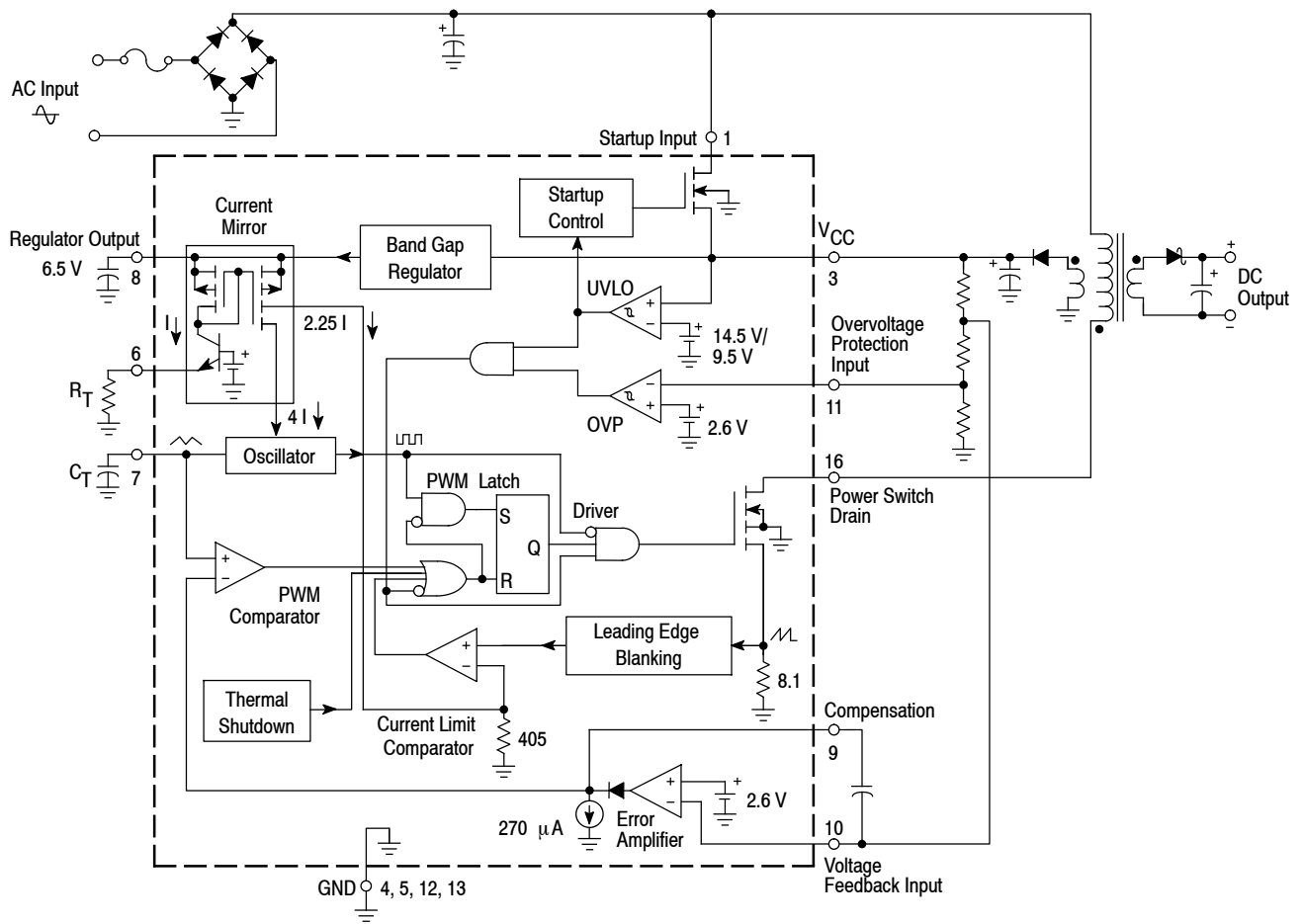


Figure 19. Representative Block Diagram

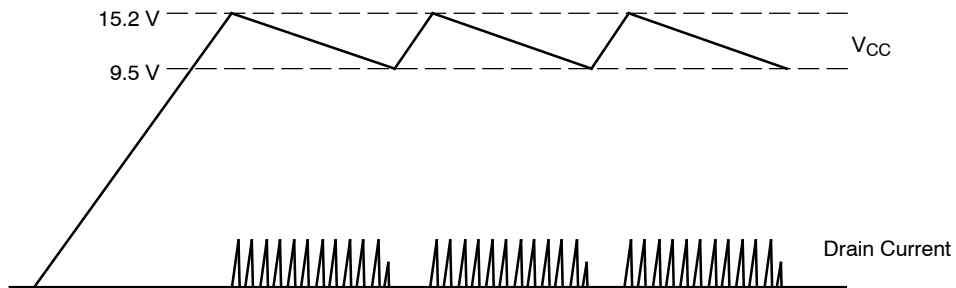


Figure 20. Timing Diagram of Short-Circuit Condition



OPERATING DESCRIPTION

Introduction

The MC33363B represents a new higher level of integration by providing all the active high voltage power, control, and protection circuitry required for implementation of a flyback or forward converter on a single monolithic chip. This device is designed for direct operation from a rectified 240 Vac line source and requires a minimum number of external components to implement a complete converter. A description of each of the functional blocks is given below, and the representative block and timing diagrams are shown in Figures 19, 18 and 20.

Oscillator and Current Mirror

The oscillator frequency is controlled by the values selected for the timing components  $R_T$  and  $C_T$ . Resistor  $R_T$  programs the oscillator charge/discharge current via the Current Mirror 4 I output, Figure 4. Capacitor  $C_T$  is charged and discharged by an equal magnitude internal current source and sink. This generates a symmetrical 50 percent duty cycle waveform at Pin 7, with a peak and valley threshold of 2.6 V and 0.6 V respectively. During the discharge of  $C_T$ , the oscillator generates an internal blanking pulse that holds the inverting input of the AND gate Driver high. This causes the Power Switch gate drive to be held in a low state, thus producing a well controlled amount of output deadtime. The amount of deadtime is relatively constant with respect to the oscillator frequency when operating below 1.0 MHz. The maximum Power Switch duty cycle at Pin 16 can be modified from the internal 50% limit by providing an additional charge or discharge current path to  $C_T$ , Figure 21. In order to increase the maximum duty cycle, a discharge current resistor  $R_D$  is connected from Pin 7 to ground. To decrease the maximum duty cycle, a charge current resistor  $R_C$  is connected from Pin 7 to the Regulator Output. Figure 5 shows an obtainable range of maximum output duty cycle versus the ratio of either  $R_C$  or  $R_D$  with respect to  $R_T$ .

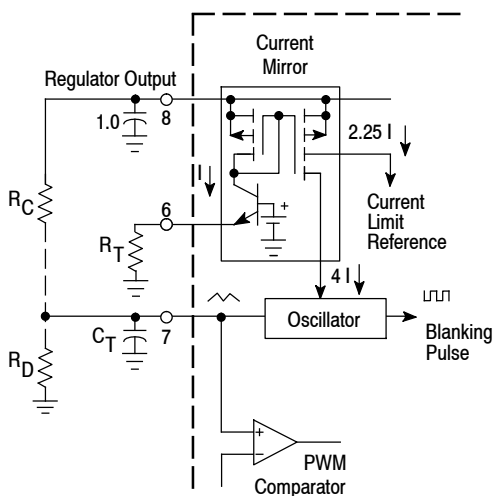


Figure 21. Maximum Duty Cycle Modification

The formula for the charge/discharge current along with the oscillator frequency are given below. The frequency formula is a first order approximation and is accurate for  $C_T$  values greater than 500 pF. For smaller values of  $C_T$ , refer to Figure 2. Note that resistor  $R_T$  also programs the Current Limit Comparator threshold.

$$I_{\text{chg/dscg}} = \frac{5.4}{R_T} \quad f \approx \frac{I_{\text{chg/dscg}}}{4C_T}$$

PWM Comparator and Latch

The pulse width modulator consists of a comparator with the oscillator ramp voltage applied to the non-inverting input, while the error amplifier output is applied into the inverting input. The Oscillator applies a set pulse to the PWM Latch while  $C_T$  is discharging, and upon reaching the valley voltage, Power Switch conduction is initiated. When  $C_T$  charges to a voltage that exceeds the error amplifier output, the PWM Latch is reset, thus terminating Power Switch conduction for the duration of the oscillator ramp-up period. This PWM Comparator/Latch combination prevents multiple output pulses during a given oscillator clock cycle. The timing diagram shown in Figure 18 illustrates the Power Switch duty cycle behavior versus the Compensation voltage.

Current Limit Comparator and Power Switch

The MC33363B uses cycle-by-cycle current limiting as a means of protecting the output switch transistor from overstress. Each on-cycle is treated as a separate situation. Current limiting is implemented by monitoring the output switch current buildup during conduction, and upon sensing an overcurrent condition, immediately turning off the switch for the duration of the oscillator ramp-up period.

The Power Switch is constructed as a SENSEFET allowing a virtually lossless method of monitoring the drain current. It consists of a total of 1462 cells, of which 36 are connected to a 8.1  $\Omega$  ground-referenced sense resistor. The Current Sense Comparator detects if the voltage across the sense resistor exceeds the reference level that is present at the inverting input. If exceeded, the comparator quickly resets the PWM Latch, thus protecting the Power Switch. The current limit reference level is generated by the 2.25 I output of the Current Mirror. This current causes a reference voltage to appear across the 405  $\Omega$  resistor. This voltage level, as well as the Oscillator charge/discharge current are both set by resistor  $R_T$ . Therefore when selecting the values for  $R_T$  and  $C_T$ ,  $R_T$  must be chosen first to set the Power Switch peak drain current, while  $C_T$  is chosen second to set the desired Oscillator frequency. A graph of the Power Switch peak drain current versus  $R_T$  is shown in Figure 3 with the related formula below.

$$I_{\text{pk}} = 8.8 \left( \frac{R_T}{1000} \right)^{-1.077}$$

The Power Switch is designed to directly drive the converter transformer and is capable of switching a maximum of 700 V and 1.0 A. Proper device voltage snubbing and heatsinking are required for reliable operation.

A Leading Edge Blanking circuit was placed in the current sensing signal path. This circuit prevents a premature reset of the PWM Latch. The premature reset is generated each time the Power Switch is driven into conduction. It appears as a narrow voltage spike across the current sense resistor, and is due to the MOSFET gate to source capacitance, transformer interwinding capacitance, and output rectifier recovery time. The Leading Edge Blanking circuit has a dynamic behavior in that it masks the current signal until the Power Switch turn-on transition is completed. The current limit propagation delay time is typically 262 ns. This time is measured from when an overcurrent appears at the Power Switch drain, to the beginning of turn-off.

### **Error Amplifier**

An fully compensated Error Amplifier with access to the inverting input and output is provided for primary side voltage sensing, Figure 19. It features a typical dc voltage gain of 82 dB, and a unity gain bandwidth of 1.0 MHz with 78 degrees of phase margin, Figure 6. The noninverting input is internally biased at  $2.6\text{ V} \pm 3.1\%$  and is not pinned out. The Error Amplifier output is pinned out for external loop compensation and as a means for directly driving the PWM Comparator. The output was designed with a limited sink current capability of  $270\text{ }\mu\text{A}$ , allowing it to be easily overridden with a pullup resistor. This is desirable in applications that require secondary side voltage sensing.

### **Overvoltage Protection**

An Overvoltage Protection Comparator is included to eliminate the possibility of runaway output voltage. This condition can occur if the control loop feedback signal path is broken due to an external component or connection failure. The comparator is normally used to monitor the primary side  $V_{CC}$  voltage. When the  $2.6\text{ V}$  threshold is exceeded, it will immediately turn off the Power Switch, and protect the load from a severe overvoltage condition. This input can also be driven from external circuitry to inhibit converter operation.

### **Undervoltage Lockout**

An Undervoltage Lockout comparator has been incorporated to guarantee that the integrated circuit has sufficient voltage to be fully functional before the output stage is enabled. The UVLO comparator monitors the  $V_{CC}$  voltage at Pin 3 and when it exceeds  $14.5\text{ V}$ , the reset signal is removed from the PWM Latch allowing operation of the Power Switch. To prevent erratic switching as the threshold is crossed,  $5.0\text{ V}$  of hysteresis is provided.

### **Startup Control**

An internal Startup Control circuit with a high voltage enhancement mode MOSFET is included within the MC33363B. This circuitry allows for increased converter efficiency by eliminating the external startup resistor, and its

associated power dissipation, commonly used in most off-line converters that utilize a UC3842 type of controller. Rectified ac line voltage is applied to the Startup Input, Pin 1. This causes the MOSFET to enhance and supply internal bias as well as charge current to the  $V_{CC}$  bypass capacitor that connects from Pin 3 to ground. When  $V_{CC}$  reaches the UVLO upper threshold of  $15.2\text{ V}$ , the IC commences operation and the startup MOSFET is turned off. Operating bias is now derived from the auxiliary transformer winding, and all of the device power is efficiently converted down from the rectified ac line.

The startup MOSFET will provide a steady current of  $1.7\text{ mA}$ , Figure 11, as  $V_{CC}$  increases or shorted to ground. The startup MOSFET is rated at a maximum of  $400\text{ V}$  with  $V_{CC}$  shorted to ground, and  $500\text{ V}$  when charging a  $V_{CC}$  capacitor of  $1000\text{ }\mu\text{F}$  or less.

### **Output Short-Circuit Condition**

When the output is short-circuited, the  $V_{CC}$  is powered by the internal startup circuit instead of the  $V_{CC}$  auxiliary winding. The internal startup circuit turns on and charges up  $V_{CC}$  voltage when  $V_{CC}$  reaches its UVLO lower threshold of  $9.5\text{ V}$ . It turns off and  $V_{CC}$  voltage drops when  $V_{CC}$  reaches its UVLO upper threshold of  $15.2\text{ V}$ . The device only delivers drain current for the time when  $V_{CC}$  goes from  $15.2\text{ V}$  to  $9.5\text{ V}$ . No drain current is delivered when  $V_{CC}$  goes from  $9.5\text{ V}$  to  $15.2\text{ V}$ . As a result, some of the switching cycle is missed as shown in Figure 20. The drain current limit is limited by the cycle-by-cycle current limit.

### **Regulator**

A low current  $6.5\text{ V}$  regulated output is available for biasing the Error Amplifier and any additional control system circuitry. It is capable of up to  $10\text{ mA}$  and has short-circuit protection. This output requires an external bypass capacitor of at least  $1.0\text{ }\mu\text{F}$  for stability.

### **Thermal Shutdown and Package**

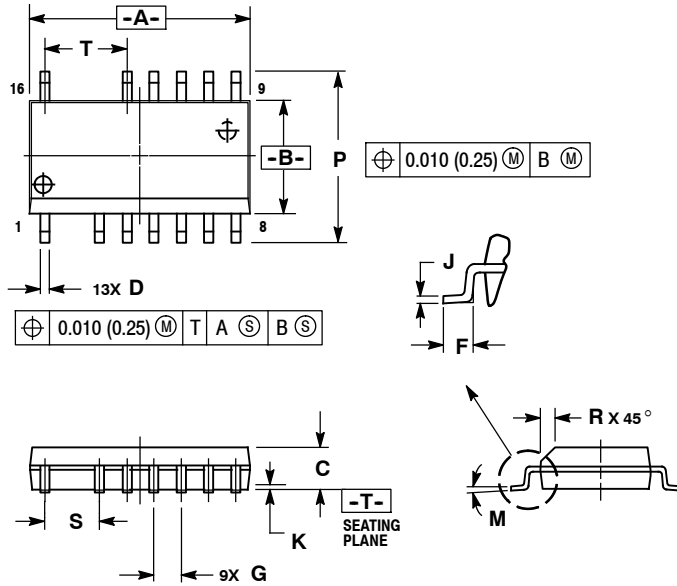
Internal thermal circuitry is provided to protect the Power Switch in the event that the maximum junction temperature is exceeded. When activated, typically at  $135^{\circ}\text{C}$ , the Latch is forced into a 'reset' state, disabling the Power Switch. The Latch is allowed to 'set' when the Power Switch temperature falls below  $105^{\circ}\text{C}$ . This feature is provided to prevent catastrophic failures from accidental device overheating. It is not intended to be used as a substitute for proper heatsinking.

The MC33363B is contained in a heatsinkable plastic dual-in-line package in which the die is mounted on a special heat tab copper alloy lead frame. This tab consists of the four center ground pins that are specifically designed to improve thermal conduction from the die to the circuit board. Figures 16 and 17 show a simple and effective method of utilizing the printed circuit board medium as a heat dissipater by soldering these pins to an adequate area of copper foil. This permits the use of standard layout and mounting practices while having the ability to halve the junction to air thermal resistance. The examples are for a symmetrical layout on a single-sided board with two ounce per square foot of copper.

# MC33363B

## PACKAGE DIMENSIONS

SO-16WB  
DW SUFFIX  
CASE 751N-01  
ISSUE O



### NOTES:

1. DIMENSIONING AND TOLERANCING PER ANSI Y14.5M, 1982.
2. CONTROLLING DIMENSION: MILLIMETER.
3. DIMENSIONS A AND B DO NOT INCLUDE MOLD PROTRUSION.
4. MAXIMUM MOLD PROTRUSION 0.15 (0.006) PER SIDE.
5. DIMENSION D DOES NOT INCLUDE DAMBAR PROTRUSION. ALLOWABLE DAMBAR PROTRUSION SHALL BE 0.13 (0.005) TOTAL IN EXCESS OF D DIMENSION AT MAXIMUM MATERIAL CONDITION.

| DIM | MILLIMETERS |       | INCHES    |       |
|-----|-------------|-------|-----------|-------|
|     | MIN         | MAX   | MIN       | MAX   |
| A   | 10.15       | 10.45 | 0.400     | 0.411 |
| B   | 7.40        | 7.60  | 0.292     | 0.299 |
| C   | 2.35        | 2.65  | 0.093     | 0.104 |
| D   | 0.35        | 0.49  | 0.014     | 0.019 |
| F   | 0.50        | 0.90  | 0.020     | 0.035 |
| G   | 1.27 BSC    |       | 0.050 BSC |       |
| J   | 0.25        | 0.32  | 0.010     | 0.012 |
| K   | 0.10        | 0.25  | 0.004     | 0.009 |
| M   | 0°          | 7°    | 0°        | 7°    |
| P   | 10.05       | 10.55 | 0.395     | 0.415 |
| R   | 0.25        | 0.75  | 0.010     | 0.029 |
| S   | 2.54 BSC    |       | 0.100 BSC |       |
| T   | 3.81 BSC    |       | 0.150 BSC |       |

SENSEFET is a registered trademark of Semiconductor Components Industries, LLC (SCILLC)

ON Semiconductor and are registered trademarks of Semiconductor Components Industries, LLC (SCILLC). SCILLC reserves the right to make changes without further notice to any products herein. SCILLC makes no warranty, representation or guarantee regarding the suitability of its products for any particular purpose, nor does SCILLC assume any liability arising out of the application or use of any product or circuit, and specifically disclaims any and all liability, including without limitation special, consequential or incidental damages. "Typical" parameters which may be provided in SCILLC data sheets and/or specifications can and do vary in different applications and actual performance may vary over time. All operating parameters, including "Typicals" must be validated for each customer application by customer's technical experts. SCILLC does not convey any license under its patent rights nor the rights of others. SCILLC products are not designed, intended, or authorized for use as components in systems intended for surgical implant into the body, or other applications intended to support or sustain life, or for any other application in which the failure of the SCILLC product could create a situation where personal injury or death may occur. Should Buyer purchase or use SCILLC products for any such unintended or unauthorized application, Buyer shall indemnify and hold SCILLC and its officers, employees, subsidiaries, affiliates, and distributors harmless against all claims, costs, damages, and expenses, and reasonable attorney fees arising out of, directly or indirectly, any claim of personal injury or death associated with such unintended or unauthorized use, even if such claim alleges that SCILLC was negligent regarding the design or manufacture of the part. SCILLC is an Equal Opportunity/Affirmative Action Employer. This literature is subject to all applicable copyright laws and is not for resale in any manner.

### PUBLICATION ORDERING INFORMATION

#### LITERATURE FULFILLMENT:

Literature Distribution Center for ON Semiconductor  
P.O. Box 5163, Denver, Colorado 80217 USA  
Phone: 303-675-2175 or 800-344-3860 Toll Free USA/Canada  
Fax: 303-675-2176 or 800-344-3867 Toll Free USA/Canada  
Email: orderlit@onsemi.com

N. American Technical Support: 800-282-9855 Toll Free  
USA/Canada  
Europe, Middle East and Africa Technical Support:  
Phone: 421 33 790 2910  
Japan Customer Focus Center  
Phone: 81-3-5773-3850

ON Semiconductor Website: [www.onsemi.com](http://www.onsemi.com)

Order Literature: <http://www.onsemi.com/orderlit>

For additional information, please contact your local Sales Representative

MC33363B/D