

## 64K x 32, 64K x 36 SYNCHRONOUS PIPELINED STATIC RAM

SEPTEMBER 2005

### FEATURES

- Internal self-timed write cycle
- Individual Byte Write Control and Global Write
- Clock controlled, registered address, data and control
- Pentium™ or linear burst sequence control using MODE input
- Three chip enables for simple depth expansion and address pipelining
- Common data inputs and data outputs
- JEDEC 100-Pin TQFP package
- Power-down snooze mode
- Power Supply:
  - +3.3V V<sub>DD</sub>
  - +3.3V or 2.5V V<sub>DDQ</sub> (I/O)
- Lead-free available

### DESCRIPTION

The *ISSI* IS61LP6432A/36A is a high-speed synchronous static RAM designed to provide a burstable, high-performance memory for high speed networking and communication applications. The IS61LP6432A is organized as 64K words by 32 bits and the IS61LP6436A is organized as 64K words by 36 bits. Fabricated with *ISSI*'s advanced CMOS technology, the device integrates a 2-bit burst counter, high-speed SRAM core, and high-drive capability outputs into a single monolithic circuit. All synchronous inputs pass through registers controlled by a positive-edge-triggered single clock input.

Write cycles are internally self-timed and are initiated by the rising edge of the clock input. Write cycles can be from one to four bytes wide as controlled by the write control inputs.

Separate byte enables allow individual bytes to be written.  $\overline{BW1}$  controls DQa,  $\overline{BW2}$  controls DQb,  $\overline{BW3}$  controls DQc,  $\overline{BW4}$  controls DQd, conditioned by  $\overline{BWE}$  being LOW. A LOW on  $\overline{GW}$  input would cause all bytes to be written.

Bursts can be initiated with either  $\overline{ADSP}$  (Address Status Processor) or  $\overline{ADSC}$  (Address Status Cache Controller) input pins. Subsequent burst addresses can be generated internally and controlled by the  $\overline{ADV}$  (burst address advance) input pin.

The mode pin is used to select the burst sequence order, Linear burst is achieved when this pin is tied LOW. Interleave burst is achieved when this pin is tied HIGH or left floating.

### FAST ACCESS TIME

Symbol	Parameter	-166	-133	Units
t <sub>KQ</sub>	Clock Access Time	3.5	4	ns
t <sub>KC</sub>	Cycle Time	6	7.5	ns
	Frequency	166	133	MHz

Copyright © 2005 Integrated Silicon Solution, Inc. All rights reserved. ISSI reserves the right to make changes to this specification and its products at any time without notice. ISSI assumes no liability arising out of the application or use of any information, products or services described herein. Customers are advised to obtain the latest version of this device specification before relying on any published information and before placing orders for products.

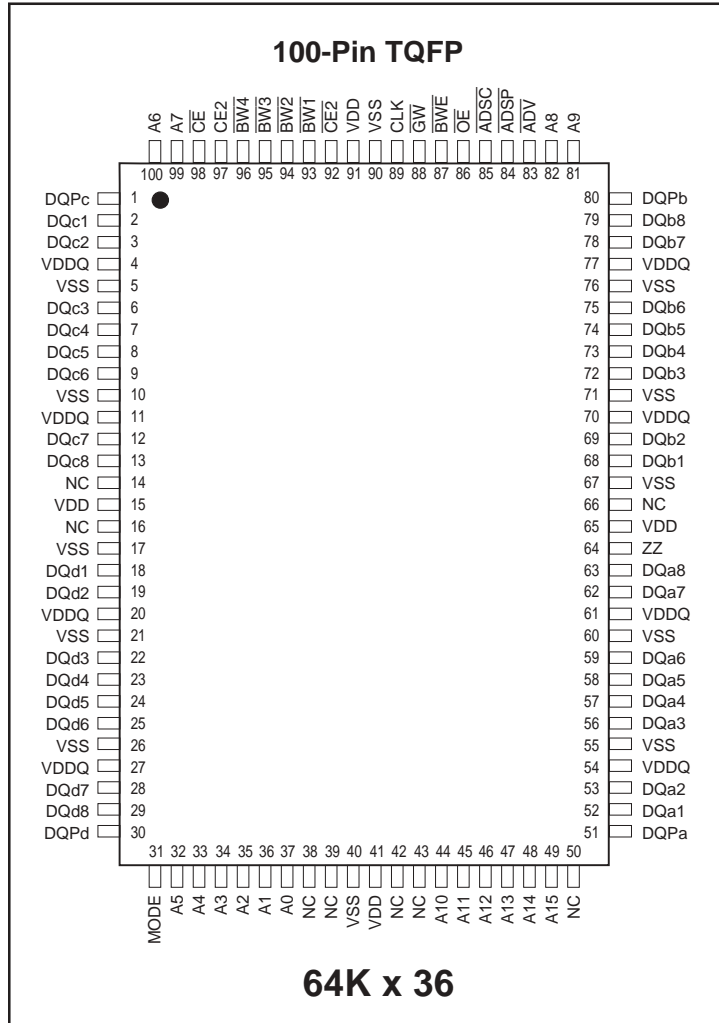
**Integrated Silicon Solution, Inc. — 1-800-379-4774**

Rev. B  
09/02/05

BLOCK DIAGRAM



PIN CONFIGURATION



PIN DESCRIPTIONS

A0, A1	Synchronous Address Inputs. These pins must be tied to the two LSBs of the address bus.
A2-A15	Synchronous Address Inputs
CLK	Synchronous Clock
ADSP	Synchronous Processor Address Status
ADSC	Synchronous Controller Address Status
ADV	Synchronous Burst Address Advance
BW1-BW4	Individual Byte Write Enable
BWE	Synchronous Byte Write Enable

GW	Synchronous Global Write Enable
CE, CE2, CE2	Synchronous Chip Enable
OE	Output Enable
DQa-DQd	Synchronous Data Input/Output
MODE	Burst Sequence Mode Selection
VDD	+3.3V Power Supply
VSS	Ground
VDDQ	Isolated Output Buffer Supply: +3.3V/2.5V
ZZ	Snooze Enable
DQPd-DQPd	Parity Data I/O

PIN CONFIGURATION



PIN DESCRIPTIONS

A0, A1	Synchronous Address Inputs. These pins must tied to the two LSBs of the address bus.
A2-A15	Synchronous Address Inputs
CLK	Synchronous Clock
ADSP	Synchronous Processor Address Status
ADSC	Synchronous Controller Address Status
ADV	Synchronous Burst Address Advance
BW1-BW4	Individual Byte Write Enable
BWE	Synchronous Byte Write Enable

GW	Synchronous Global Write Enable
CE, CE2, CE2	Synchronous Chip Enable
OE	Output Enable
DQa-DQd	Synchronous Data Input/Output
MODE	Burst Sequence Mode Selection
VDD	+3.3V Power Supply
VSS	Ground
VDDQ	Isolated Output Buffer Supply: +3.3V/2.5V
ZZ	Snooze Enable

**TRUTH TABLE**

Operation	Address Used	$\overline{OE}$	CE2	$\overline{CE2}$	$\overline{ADSP}$	$\overline{ADSC}$	$\overline{ADV}$	WRITE	$\overline{OE}$	DQ
Deselected, Power-down	None	H	X	X	X	L	X	X	X	High-Z
Deselected, Power-down	None	L	X	H	L	X	X	X	X	High-Z
Deselected, Power-down	None	L	L	X	L	X	X	X	X	High-Z
Deselected, Power-down	None	X	X	H	H	L	X	X	X	High-Z
Deselected, Power-down	None	X	L	X	H	L	X	X	X	High-Z
Read Cycle, Begin Burst	External	L	H	L	L	X	X	X	X	Q
Read Cycle, Begin Burst	External	L	H	L	H	L	X	Read	X	Q
Write Cycle, Begin Burst	External	L	H	L	H	L	X	Write	X	D
Read Cycle, Continue Burst	Next	X	X	X	H	H	L	Read	L	Q
Read Cycle, Continue Burst	Next	X	X	X	H	H	L	Read	H	High-Z
Read Cycle, Continue Burst	Next	H	X	X	X	H	L	Read	L	Q
Read Cycle, Continue Burst	Next	H	X	X	X	H	L	Read	H	High-Z
Write Cycle, Continue Burst	Next	X	X	X	H	H	L	Write	X	D
Write Cycle, Continue Burst	Next	H	X	X	X	H	L	Write	X	D
Read Cycle, Suspend Burst	Current	X	X	X	H	H	H	Read	L	Q
Read Cycle, Suspend Burst	Current	X	X	X	H	H	H	Read	H	High-Z
Read Cycle, Suspend Burst	Current	H	X	X	X	H	H	Read	L	Q
Read Cycle, Suspend Burst	Current	H	X	X	X	H	H	Read	H	High-Z
Write Cycle, Suspend Burst	Current	X	X	X	H	H	H	Write	X	D
Write Cycle, Suspend Burst	Current	H	X	X	X	H	H	Write	X	D

**PARTIAL TRUTH TABLE**

Function	$\overline{GW}$	BWE	BW1	BW2	BW3	BW4
Read	H	H	X	X	X	X
Read	H	L	H	H	H	H
Write Byte 1	H	L	L	H	H	H
Write All Bytes	H	L	L	L	L	L
Write All Bytes	L	X	X	X	X	X

**INTERLEAVED BURST ADDRESS TABLE (MODE = V<sub>DD</sub> or No Connect)**

External Address A1 A0	1st Burst Address A1 A0	2nd Burst Address A1 A0	3rd Burst Address A1 A0
00	01	10	11
01	00	11	10
10	11	00	01
11	10	01	00

**LINEAR BURST ADDRESS TABLE (MODE = V<sub>SS</sub>)**



**ABSOLUTE MAXIMUM RATINGS<sup>(1)</sup>**

Symbol	Parameter	Value	Unit
T <sub>STG</sub>	Storage Temperature	-55 to +150	°C
P <sub>D</sub>	Power Dissipation	1.6	W
I <sub>OUT</sub>	Output Current (per I/O)	100	mA
V <sub>IN</sub> , V <sub>OUT</sub>	Voltage Relative to V <sub>SS</sub> for I/O Pins	-0.5 to V <sub>DDQ</sub> + 0.3	V
V <sub>IN</sub>	Voltage Relative to V <sub>SS</sub> for for Address and Control Inputs	-0.5 to V <sub>DD</sub> + 0.5	V
V <sub>DD</sub>	Voltage on V <sub>DD</sub> Supply Relative to V <sub>SS</sub>	-0.5 to 4.6	V

**Notes:**

1. Stress greater than those listed under ABSOLUTE MAXIMUM RATINGS may cause permanent damage to the device. This is a stress rating only and functional operation of the device at these or any other conditions above those indicated in the operational sections of this specification is not implied. Exposure to absolute maximum rating conditions for extended periods may affect reliability.
2. This device contains circuitry to protect the inputs against damage due to high static voltages or electric fields; however, precautions may be taken to avoid application of any voltage higher than maximum rated voltages to this high-impedance circuit.
3. This device contains circuitry that will ensure the output devices are in High-Z at power up.

## OPERATING RANGE

Range	Ambient Temperature	V <sub>DD</sub>	V <sub>DDQ</sub>
Commercial	0°C to +70°C	3.3V ± 5%	3.3V ± 5% 2.5V ± 5%
Industrial	-40°C to +85°C	3.3V ± 5%	3.3V ± 5% 2.5V ± 5%

## DC ELECTRICAL CHARACTERISTICS (Over Operating Range)

Symbol	Parameter	Test Conditions	2.5V (I/O)		3.3V (I/O)		Unit
			Min.	Max.	Min.	Max.	
V <sub>OH</sub>	Output HIGH Voltage	I <sub>OH</sub> = -4.0 mA (3.3V) I <sub>OH</sub> = 1.0 mA (2.5V)	2.0	—	2.4	—	V
V <sub>OL</sub>	Output LOW Voltage	I <sub>OL</sub> = 8.0 mA (3.3V) I <sub>OL</sub> = 1.0 mA (2.5V)	—	0.4	—	0.4	V
V <sub>IH</sub>	Input HIGH Voltage		1.7	V <sub>DD</sub> + 0.3	2.0	V <sub>DD</sub> + 0.3	V
V <sub>IL</sub>	Input LOW Voltage		-0.3	0.7	-0.3	0.8	V
I <sub>LI</sub>	Input Leakage Current	V <sub>SS</sub> ≤ V <sub>IN</sub> ≤ V <sub>DD</sub> <sup>(1)</sup>	-5	5	-5	5	μA
I <sub>LO</sub>	Output Leakage Current	V <sub>SS</sub> ≤ V <sub>OUT</sub> ≤ V <sub>DDQ</sub> , $\overline{OE} = V_I$	-5	5	-5	5	μA

## POWER SUPPLY CHARACTERISTICS (Over Operating Range)

Symbol	Parameter	Test Conditions			Unit
			-166 Max.	-133 Max.	
I <sub>CC</sub>	AC Operating Supply Current	Device Selected, All Inputs = V <sub>IL</sub> or V <sub>IH</sub> $\overline{OE} = V_{IH}$ , V <sub>DD</sub> = Max. Cycle Time ≥ t <sub>CK</sub> min.	Com. 190 Ind. 200	180 190	mA mA
I <sub>SB1</sub>	Standby Current	Device Deselected, V <sub>DD</sub> = Max., All Inputs = V <sub>IH</sub> or V <sub>IL</sub> CLK Cycle Time ≥ t <sub>CK</sub> min.	Com. 70 Ind. 80	70 80	mA mA
I <sub>ZZ</sub>	Power-down Mode Current	ZZ = V <sub>DD</sub> Clock Running All Inputs ≤ V <sub>SS</sub> + 0.2V or ≥ V <sub>DD</sub> - 0.2V	Com. 35 Ind. 40	35 40	mA mA

### Notes:

1. The MODE pin has an internal pullup. This pin may be a No Connect, tied to V<sub>SS</sub>, or tied to V<sub>DD</sub>.
2. The MODE pin should be tied to V<sub>DD</sub> or V<sub>SS</sub>. It exhibits ±10 μA maximum leakage current when tied to ≤ V<sub>SS</sub> + 0.2V or ≥ V<sub>DD</sub> - 0.2V.

**CAPACITANCE<sup>(1,2)</sup>**

Symbol	Parameter	Conditions	Max.	Unit
C <sub>IN</sub>	Input Capacitance	V <sub>IN</sub> = 0V	6	pF
C <sub>OUT</sub>	Input/Output Capacitance	V <sub>OUT</sub> = 0V	8	pF

**Notes:**

1. Tested initially and after any design or process changes that may affect these parameters.
2. Test conditions: T<sub>A</sub> = 25°C, f = 1 MHz, V<sub>DD</sub> = 3.3V.

**3.3V I/O AC TEST CONDITIONS**

Parameter	Unit
Input Pulse Level	0V to 3.0V
Input Rise and Fall Times	1ns
Input and Output Timing and Reference Level	1.5V
Output Load	See Figures 1 and 2

**3.3V I/O OUTPUT LOAD EQUIVALENT**

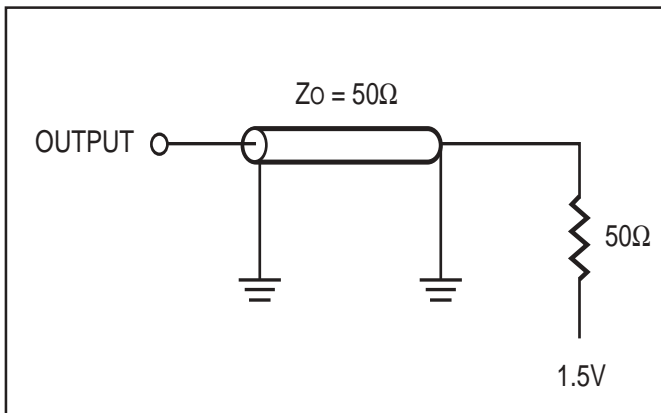


Figure 1



Figure 2



## 2.5V I/O AC TEST CONDITIONS

Parameter	Unit
Input Pulse Level	0V to 2.5V
Input Rise and Fall Times	1 ns
Input and Output Timing and Reference Level	1.25V
Output Load	See Figures 3 and 4

## 2.5V I/O OUTPUT LOAD EQUIVALENT

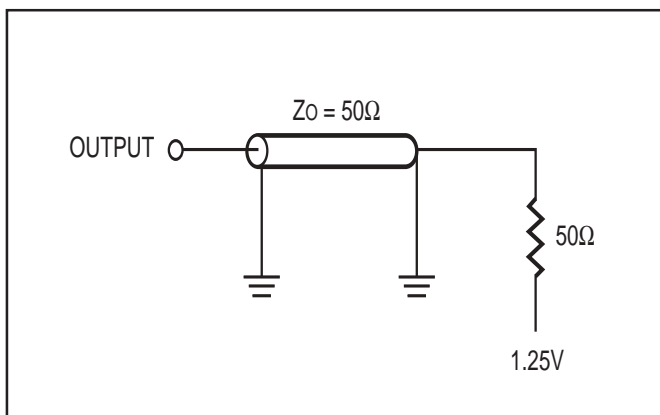


Figure 3

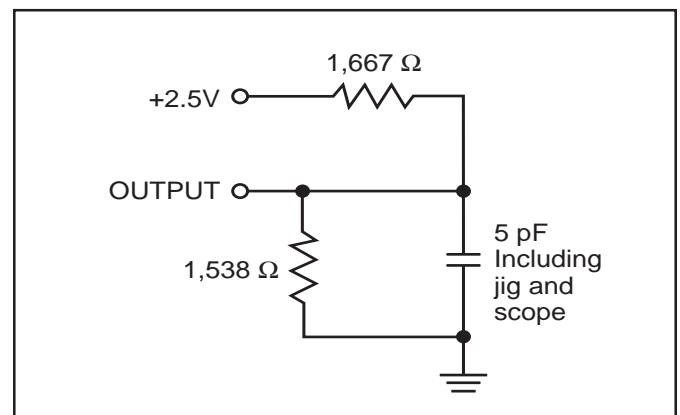


Figure 4

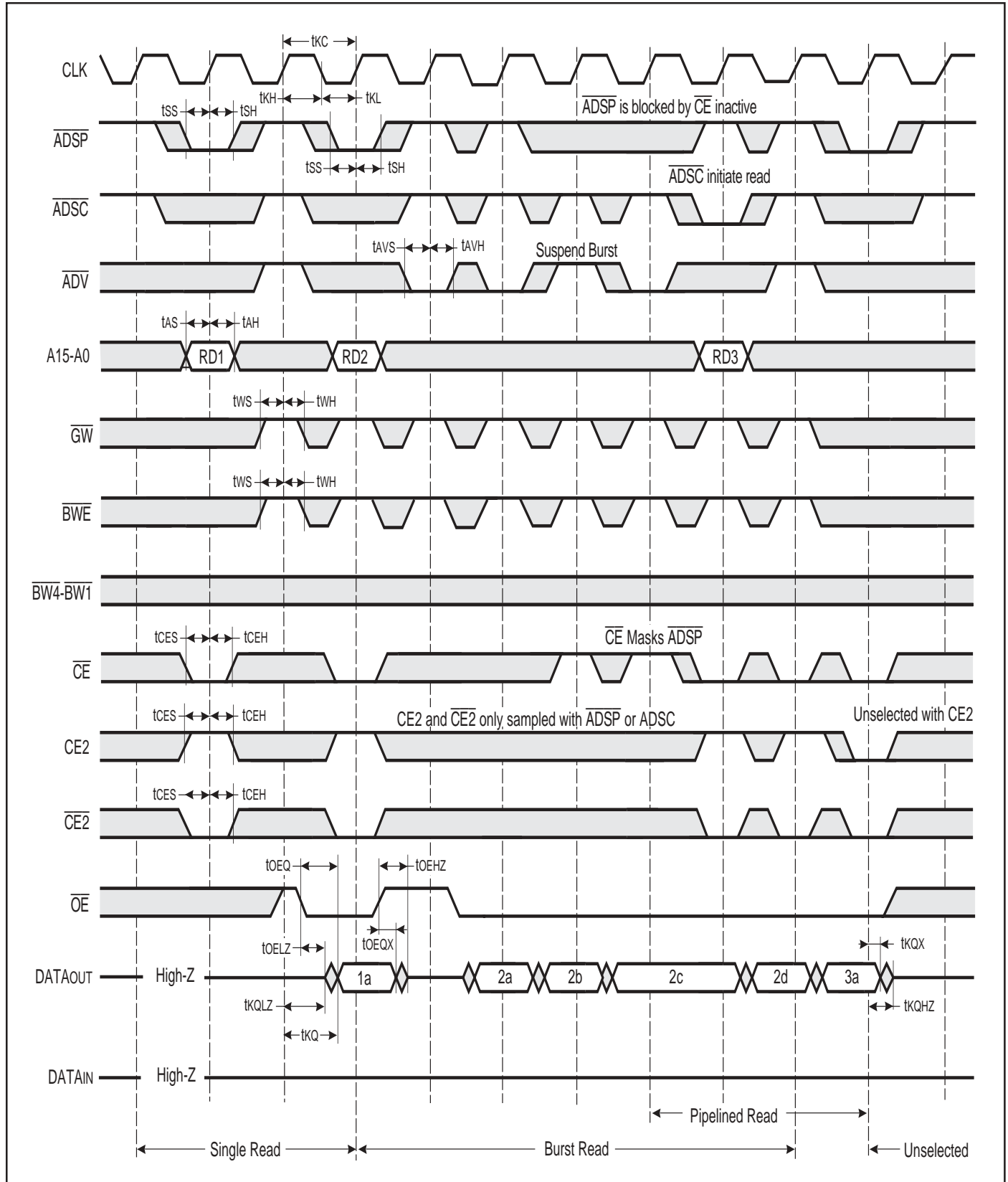
READ/WRITE CYCLE SWITCHING CHARACTERISTICS (Over Operating Range)

Symbol	Parameter	-166		-133		Unit
		Min.	Max.	Min.	Max.	
f <sub>MAX</sub> <sup>(3)</sup>	Clock Frequency	—	166	—	133	MHz
t <sub>CC</sub> <sup>(3)</sup>	Cycle Time	6	—	7.5	—	ns
t <sub>KH</sub>	Clock High Time	2.4	—	2.8	—	ns
t <sub>KL</sub> <sup>(3)</sup>	Clock Low Time	2.4	—	2.8	—	ns
t <sub>KQ</sub> <sup>(3)</sup>	Clock Access Time	—	3.5	—	4	ns
t <sub>KQX</sub> <sup>(1)</sup>	Clock High to Output Invalid	3	—	3	—	ns
t <sub>KQLZ</sub> <sup>(1,2)</sup>	Clock High to Output Low-Z	0	—	0	—	ns
t <sub>KQHZ</sub> <sup>(1,2)</sup>	Clock High to Output High-Z	1.5	3.5	1.5	3.5	ns
t <sub>OEQ</sub> <sup>(3)</sup>	Output Enable to Output Valid	—	3.5	—	3.8	ns
t <sub>OEQX</sub> <sup>(1)</sup>	Output Disable to Output Invalid	0	—	0	—	ns
t <sub>OEZ</sub> <sup>(1,2)</sup>	Output Enable to Output Low-Z	0	—	0	—	ns
t <sub>OEHZ</sub> <sup>(1,2)</sup>	Output Disable to Output High-Z	2	4.5	2	5	ns
t <sub>AS</sub> <sup>(3)</sup>	Address Setup Time	2.1	—	2.1	—	ns
t <sub>SS</sub> <sup>(3)</sup>	Address Status Setup Time	1.5	—	1.5	—	ns
t <sub>WS</sub> <sup>(3)</sup>	Write Setup Time	1.5	—	1.5	—	ns
t <sub>CES</sub> <sup>(3)</sup>	Chip Enable Setup Time	1.5	—	1.5	—	ns
t <sub>AVS</sub> <sup>(3)</sup>	Address Advance Setup Time	1.5	—	1.5	—	ns
t <sub>AH</sub> <sup>(3)</sup>	Address Hold Time	1.0	—	1.0	—	ns
t <sub>SH</sub> <sup>(3)</sup>	Address Status Hold Time	0.5	—	0.5	—	ns
t <sub>WH</sub> <sup>(3)</sup>	Write Hold Time	0.5	—	0.5	—	ns
t <sub>CEH</sub> <sup>(3)</sup>	Chip Enable Hold Time	0.5	—	0.5	—	ns
t <sub>AVH</sub> <sup>(3)</sup>	Address Advance Hold Time	0.5	—	0.5	—	ns

**Note:**

1. Guaranteed but not 100% tested. This parameter is periodically sampled.
2. Tested with load in Figure 2.
3. Tested with load in Figure 1.

READ/WRITE CYCLE TIMING



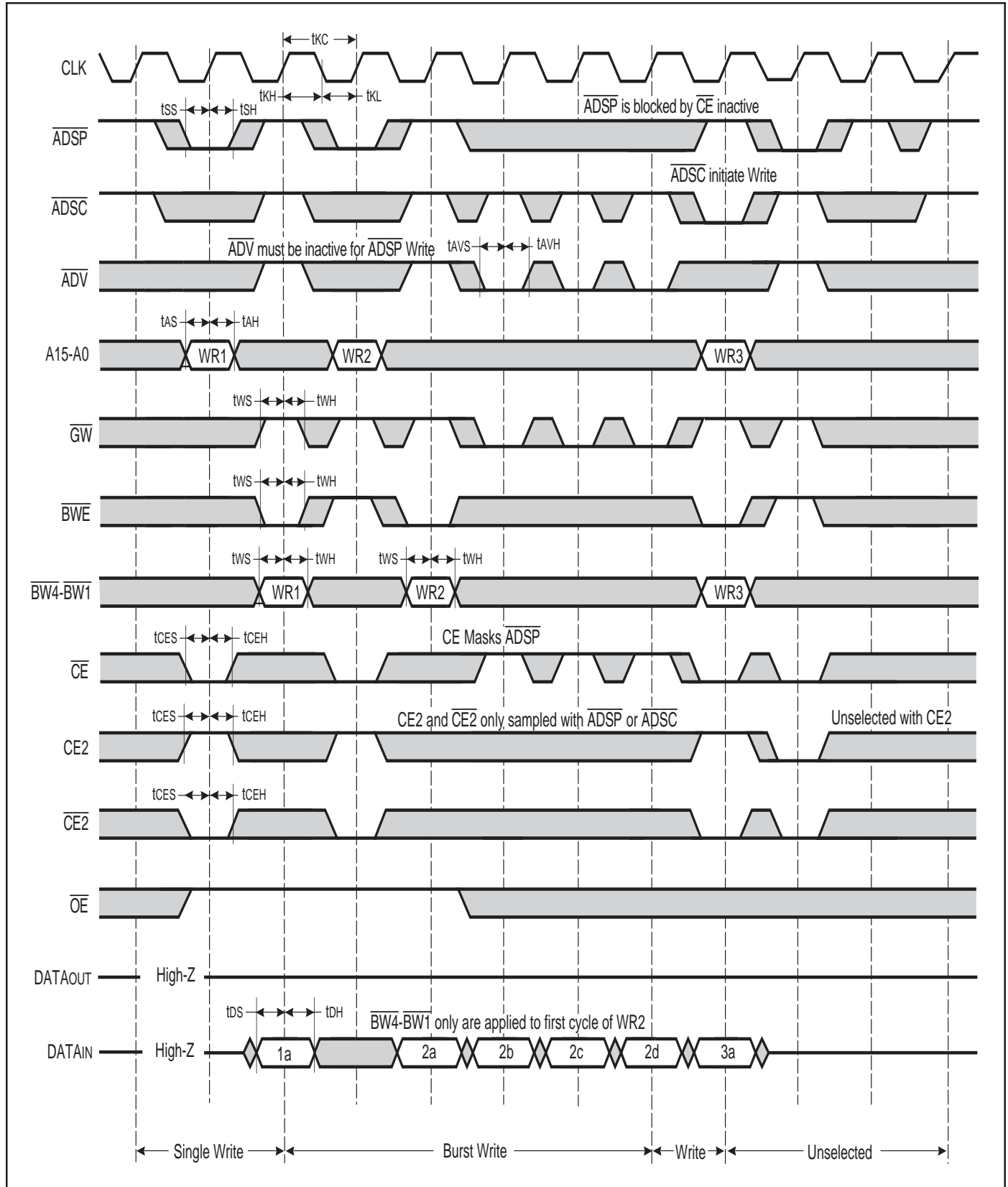
**WRITE CYCLE SWITCHING CHARACTERISTICS (Over Operating Range)**

Symbol	Parameter	-166		-133		Unit
		Min.	Max.	Min.	Max.	
t <sub>CC</sub> <sup>(1)</sup>	Cycle Time	6	—	7.5	—	ns
t <sub>KH</sub> <sup>(1)</sup>	Clock High Time	2.4	—	2.8	—	ns
t <sub>KL</sub> <sup>(1)</sup>	Clock Low Time	2.4	—	2.8	—	ns
t <sub>AS</sub> <sup>(1)</sup>	Address Setup Time	2.1	—	2.1	—	ns
t <sub>SS</sub> <sup>(1)</sup>	Address Status Setup Time	1.5	—	1.5	—	ns
t <sub>WS</sub> <sup>(1)</sup>	Write Setup Time	1.5	—	1.5	—	ns
t <sub>DS</sub> <sup>(1)</sup>	Data In Setup Time	1.5	—	1.5	—	ns
t <sub>CES</sub> <sup>(1)</sup>	Chip Enable Setup Time	1.5	—	1.5	—	ns
t <sub>AVS</sub> <sup>(1)</sup>	Address Advance Setup Time	1.5	—	1.5	—	ns
t <sub>AH</sub> <sup>(1)</sup>	Address Hold Time	1.0	—	1.0	—	ns
t <sub>SH</sub> <sup>(1)</sup>	Address Status Hold Time	0.5	—	0.5	—	ns
t <sub>DH</sub> <sup>(1)</sup>	Data In Hold Time	1.0	—	1.0	—	ns
t <sub>WH</sub> <sup>(1)</sup>	Write Hold Time	0.5	—	0.5	—	ns
t <sub>CEH</sub> <sup>(1)</sup>	Chip Enable Hold Time	0.5	—	0.5	—	ns
t <sub>AVH</sub> <sup>(1)</sup>	Address Advance Hold Time	0.5	—	0.5	—	ns

**Note:**

1. Tested with load in Figure 1.

WRITE CYCLE TIMING



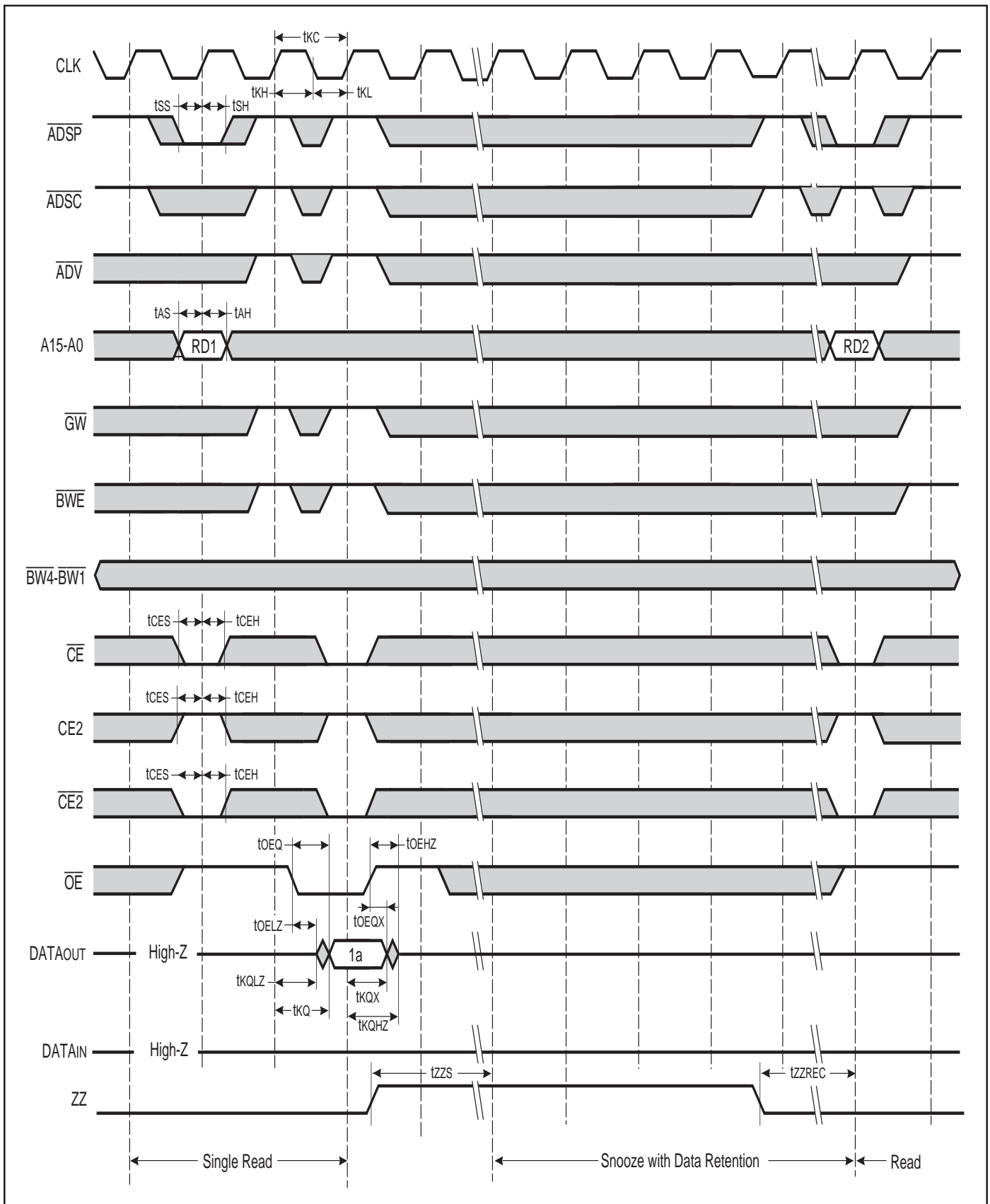
**SNOOZE AND RECOVERY CYCLE SWITCHING CHARACTERISTICS (Over Operating Range)**

Symbol	Parameter	-166		-133		Unit
		Min.	Max.	Min.	Max.	
tkC <sup>(3)</sup>	Cycle Time	6	—	7.5	—	ns
tkH <sup>(3)</sup>	Clock High Time	2.4	—	2.8	—	ns
tkL <sup>(3)</sup>	Clock Low Time	2.4	—	2.8	—	ns
tkQ <sup>(3)</sup>	Clock Access Time	—	3.5	—	4	ns
tkQX <sup>(1)</sup>	Clock High to Output Invalid	1.5	—	1.5	—	ns
tkQLZ <sup>(1,2)</sup>	Clock High to Output Low-Z	0	—	0	—	ns
tkQHZ <sup>(1,2)</sup>	Clock High to Output High-Z	1.5	3.5	1.5	3.5	ns
toEQ <sup>(3)</sup>	Output Enable to Output Valid	—	3.5	—	3.9	ns
toEQX <sup>(1)</sup>	Output Disable to Output Invalid	0	—	0	—	ns
toELZ <sup>(1,2)</sup>	Output Enable to Output Low-Z	0	—	0	—	ns
toEHZ <sup>(1,2)</sup>	Output Disable to Output High-Z	2	4.5	2	5.0	ns
tAS <sup>(3)</sup>	Address Setup Time	2.1	—	2.1	—	ns
tSS <sup>(3)</sup>	Address Status Setup Time	1.5	—	1.5	—	ns
tCES <sup>(3)</sup>	Chip Enable Setup Time	1.5	—	1.5	—	ns
tAH <sup>(3)</sup>	Address Hold Time	1.0	—	1.0	—	ns
tSH <sup>(3)</sup>	Address Status Hold Time	0.5	—	0.5	—	ns
tCEH <sup>(3)</sup>	Chip Enable Hold Time	0.5	—	0.5	—	ns
tzs	ZZ Standby	2	—	2	—	cyc
tzREC	ZZ Recovery	2	—	2	—	cyc

**Notes:**

1. Guaranteed but not 100% tested. This parameter is periodically sampled.
2. Tested with load in Figure 2.
3. Tested with load in Figure 1.

SNOOZE AND RECOVERY CYCLE TIMING



**ORDERING INFORMATION: IS61LP6432A**

**Commercial Range: 0°C to +70°C**

Speed	Order Part Number	Package
133 MHz	IS61LP6432A-133TQ	TQFP

**Industrial Range: -40°C to +85°C**

Speed	Order Part Number	Package
133 MHz	IS61LP6432A-133TQI	TQFP
133 MHz	IS61LP6432A-133TQLI	TQFP, Lead-free

**ORDERING INFORMATION: IS61LP6436A**

**Commercial Range: 0°C to +70°C**

Speed	Order Part Number	Package
166 MHz	IS61LP6436A-166TQ	TQFP
133 MHz	IS61LP6436A-133TQ	TQFP

**Industrial Range: -40°C to +85°C**

Speed	Order Part Number	Package
166 MHz	IS61LP6436A-166TQI	TQFP
166 MHz	IS61LP6436A-166TQLI	TQFP, Lead-free
133 MHz	IS61LP6436A-133TQI	TQFP
133 MHz	IS61LP6436A-133TQLI	TQFP, Lead-free



PACKAGING INFORMATION

TQFP (Thin Quad Flat Pack Package)

Package Code: TQ



Thin Quad Flat Pack (TQ)

Symbol	Millimeters		Inches		Symbol	Millimeters		Inches	
	Min	Max	Min	Max		Min	Max	Min	Max
Ref. Std.									
No. Leads (N)	100				128				
A	—	1.60	—	0.063	—	1.60	—	0.063	
A1	0.05	0.15	0.002	0.006	0.05	0.15	0.002	0.006	
A2	1.35	1.45	0.053	0.057	1.35	1.45	0.053	0.057	
b	0.22	0.38	0.009	0.015	0.17	0.27	0.007	0.011	
D	21.90	22.10	0.862	0.870	21.80	22.20	0.858	0.874	
D1	19.90	20.10	0.783	0.791	19.90	20.10	0.783	0.791	
E	15.90	16.10	0.626	0.634	15.80	16.20	0.622	0.638	
E1	13.90	14.10	0.547	0.555	13.90	14.10	0.547	0.555	
e	0.65 BSC		0.026 BSC		0.50 BSC		0.020 BSC		
L	0.45	0.75	0.018	0.030	0.45	0.75	0.018	0.030	
L1	1.00 REF.		0.039 REF.		1.00 REF.		0.039 REF.		
C	0°	7°	0°	7°	0°	7°	0°	7°	

Notes:

1. All dimensioning and tolerancing conforms to ANSI Y14.5M-1982.
2. Dimensions D1 and E1 do not include mold protrusions. Allowable protrusion is 0.25 mm per side. D1 and E1 do include mold mismatch and are determined at datum plane -H-.
3. Controlling dimension: millimeters.