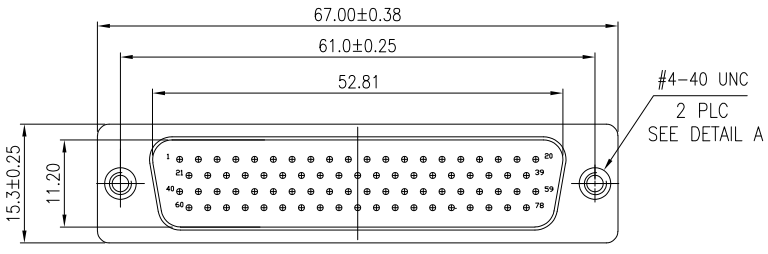


THIS DRAWING IS UNPUBLISHED. RELEASED FOR PUBLICATION
 © COPYRIGHT - BY TYCO ELECTRONICS CORPORATION. ALL RIGHTS RESERVED.

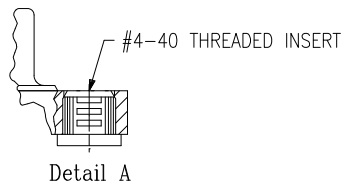
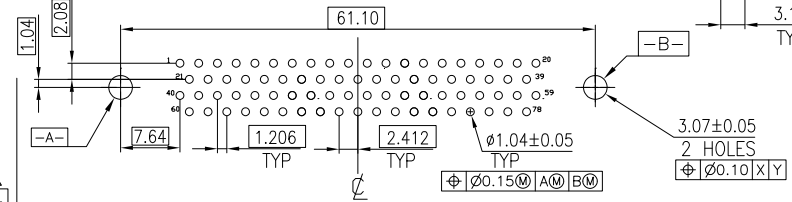
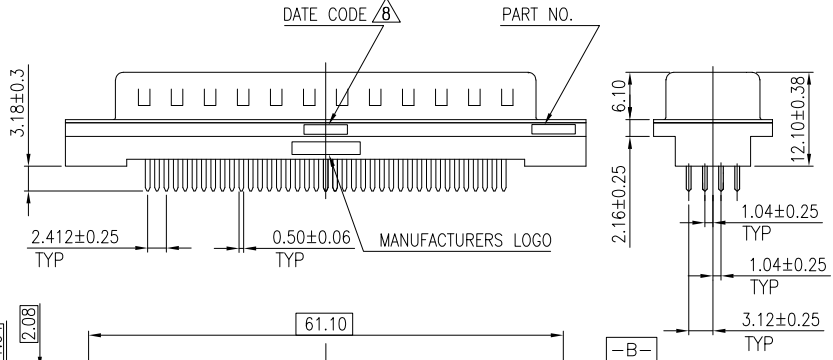
LOC	DIST	REVISIONS					
GP	00	P	LTR	DESCRIPTION	DATE	DWN	APVD
		A		REVISED PER ECO-09-005756	15APR2009	ZMR	SLB



- Housing material: PBT , Glass Filled, black, UL 94V-0 Rated.
 - CONTACT MATERIAL: PHOSPHOR BRONZE.
 - CONTACT FINISH: GOLD PLATE IN MATING AREA (SEE TABLE), 120µ" MIN TIN PLATE ON SOLDER TAIL, BOTH OVER 50µ" MIN NICKEL UNDERPLATE.
 - SHELL: STEEL, NICKEL PLATE.
 - BOARDLOCK: BRASS, 100µ" MIN TIN PLATE.
 - THREADED INSERTS: BRASS, NICKEL PLATE.
 - PACKAGE IN TRAYS.
- △ 8 FOUR DIGIT DATE CODE IN THIS FORMAT.

Year 01 45 Manufacturing Week

△ 9 DATUMS -X- & -Y- TO BE ESTABLISHED BY CUSTOMER.



OBSOLETE	Gold flash	5749019-6
OBSOLETE	15µ" MIN	5749019-5
	30µ" MIN	5749019-1
CONTACT MATING AREA FINISH		Part Number

THIS DRAWING IS A CONTROLLED DOCUMENT.		DWN B. MCMASTER 21SEP05	Tyco Electronics Corporation Harrisburg, PA 17105-3608
DIMENSIONS: mm		CHK S. BOLASH 21SEP05	
TOLERANCES UNLESS OTHERWISE SPECIFIED:		APVD M. WALMSLEY 21SEP05	
0 PLC ± - 1 PLC ± - 2 PLC ± 0.2 3 PLC ± 0.1 4 PLC ± - FINISH ± -		NAME	
MATERIAL SEE NOTES		WEIGHT -	PLUG ASSEMBLY, SIZE 5, 78 POS, VERTICAL, FRONT METAL SHELL, WITH THREADED INSERTS, AMPLIMITE HD-22
SEE NOTES		SIZE A.3	RESTRICTED TO
		CAGE CODE 00779	DRAWING NO C-5749019
		CUSTOMER DRAWING	SCALE 2:1 SHEET 1 of 1 REV A