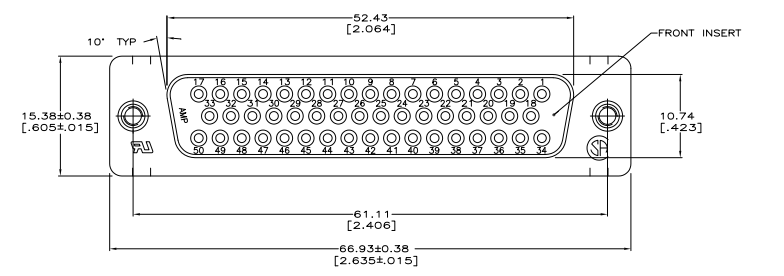
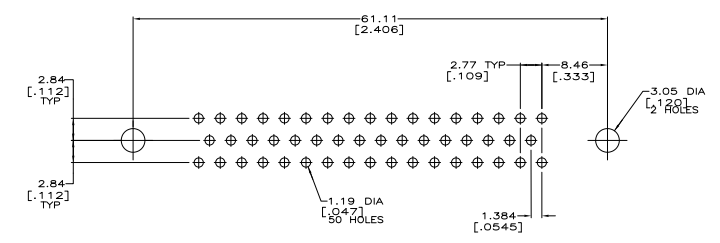
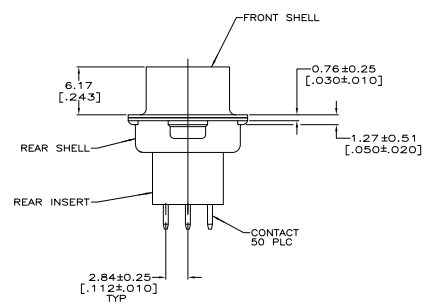
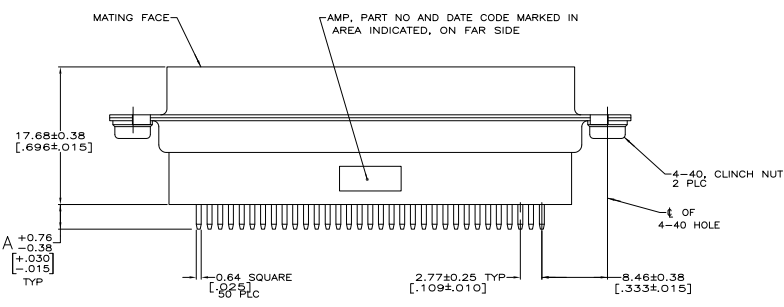


THIS DRAWING IS UNPUBLISHED. ALL RIGHTS RESERVED.  
 © 2005 BY 3M ELECTRONICS CORPORATION

REV	DATE	DESCRIPTION	BY	CHK	APP
00					
01		REVISED FOR ECO-10-000075	H		SB



- △ INSERTS: BLACK NYLON, UL 94V-0 RATED
- CONTACTS: BRONZE
- SHELLS: CARBON STEEL
- CLINCH NUT: CARBON STEEL
- △ GOLD FLASH FOR LENGTH OF 2.54 [100] MIN FROM MATING END, 2.54μm [0.00100] MIN TIN OR TIN-LEAD FOR A LENGTH OF DIMENSION A FROM OPPOSITE END, BOTH OVER 1.27μm [0.00050] MIN NICKEL.
- △ 0.76μm [0.00030] MIN GOLD FOR LENGTH OF 2.54 [100] MIN FROM MATING END, 2.54μm [0.00100] MIN TIN OR TIN-LEAD FOR A LENGTH OF DIMENSION A FROM OPPOSITE END, BOTH OVER 1.27μm [0.00050] MIN NICKEL.
- OR-
- △ GOLD FLASH OVER PALLADIUM-NICKEL, 0.76μm [0.00030] MIN TOTAL FOR A LENGTH OF 2.54 [100] MIN FROM MATING END, 2.54μm [0.00100] MIN TIN OR TIN-LEAD FOR A LENGTH OF DIMENSION A FROM OPPOSITE END, BOTH OVER 1.27μm [0.00050] MIN NICKEL.
- △ SHELLS: 5.08μm [0.00200] MIN TIN OVER 2.54μm [0.00100] MIN COPPER
- CLINCH NUT: 5.08μm [0.00200] MIN ZINC WITH CLEAR CHROMATE COATING
- CONTACTS: SEE TABLE



RECOMMENDED PC BOARD MOUNTING DIMENSIONS

REVISION	DATE	DESCRIPTION	BY	CHK	APP
OBSELETE	4.7B	[1.88]			
SUPSD BY	747302-1	4.7B	[1.88]		
OBSELETE	11.6.54	[6.511]			
OBSELETE	11.6.54	[6.511]			
OBSELETE	10.8.5	[4.27]			
OBSELETE	10.8.5	[4.27]			
SUPSD BY	747302-1	3.1.8	[1.25]		
		3.1.8	[1.25]		

THIS DRAWING IS A CONTROLLED DOCUMENT. DATE: 12-14-98

3M ELECTRONICS CORPORATION  
 Harrisburg, PA 17105-3608

RECEPTACLE ASSEMBLY, SIZE 5, 50 POSN, VERTICAL FRONT METAL SHELL, UNPLATED HD-20

114-40013  
 SIZE: 108-40025  
 DATE: 11-14-98  
 REV: 1  
 PART: 747302-1  
 CUSTOMER DRAWING  
 SIZE: 4.1  
 SHEET: 1 OF 1