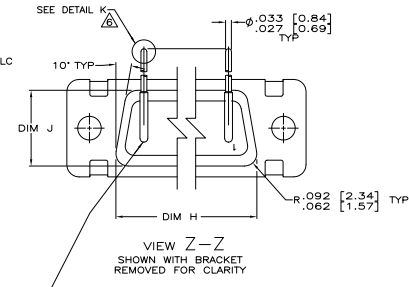
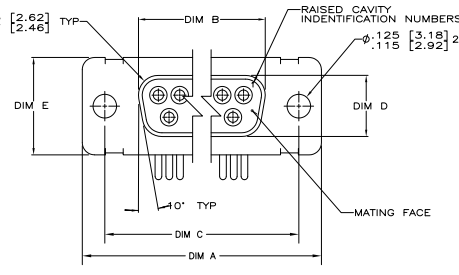


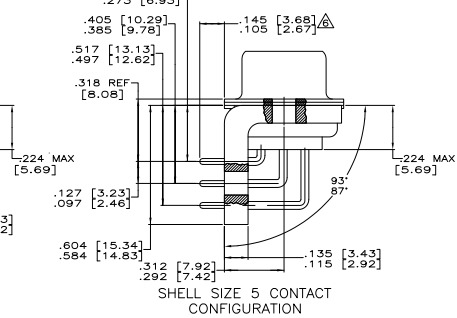
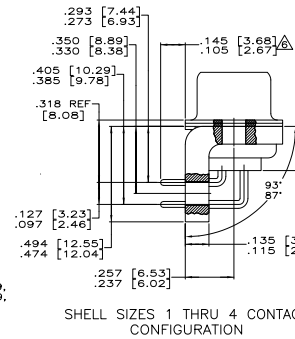
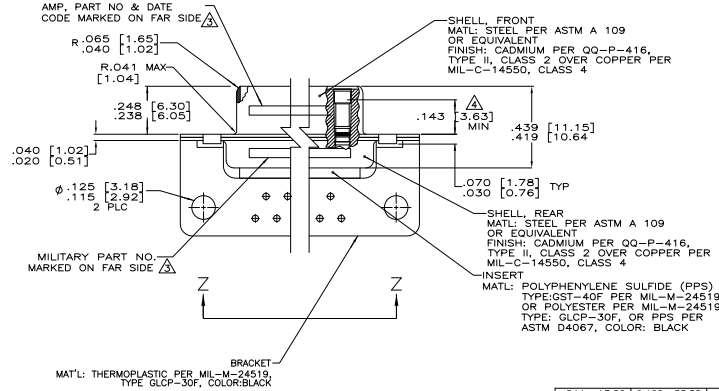
THIS DRAWING IS UNCLASSIFIED
 DATE 03/08/98 BY 111M111 RK/HMR

REV	DATE	DESCRIPTION	BY	APP
01	REVISED PER EDD-11-00930		111M111	RK/HMR

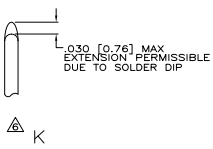


CONTACT (QTY = NO. OF POSN)
 MATL: BRASS PER ASTM-B-16, OR BERYLLIUM
 COPPER PER ASTM-B-194
 FINISH: GOLD PER MIL-G-45204, TYPE II,
 GRADE C, CLASS 1 IN CONTACT MATING AREA,
 0.00010 [0.0003] MIN THK GOLD PER MIL-G-45204
 OVER .00050 [0.0013] MIN THK NICKEL
 PER QQ-N-290 ON CONTACT BODY

- 1. SEE SHEET 2 FOR RECOMMENDED P.C. BOARD LAYOUT. TRUE POSITION TOLERANCE FOR P.C. BOARD LAYOUT IS .010 [0.25] AT MAX MATERIAL CONDITION. SUGGESTED BOARD THICKNESS IS .125 [3.18]
- 2. THE CONNECTORS DESCRIBED IN THIS DOCUMENT MEET THE REQUIREMENTS OF MIL-C-24308 AND MATE WITH ANY PLUG CONNECTOR WITH SAME INSERT ARRANGEMENT.
- 3. MARKED WITH .047 [1.19]-.062 [1.57] HIGH CHARACTERS. FAR SIDE REFERS TO THE WIDE SIDE OF THE KEYSTONE. NEAR SIDE REFERS TO THE NARROW SIDE OF THE KEYSTONE. IF THE REAR SHELL IS TOO SMALL FOR THE ENTIRE MILITARY PART NUMBER, MARKING SHALL BE LOCATED AS FOLLOWS:
 - A. "M24308" ON FRONT SHELL, FAR SIDE.
 - B. SLASH SHEET AND DASH NUMBER ON REAR SHELL, FAR SIDE.
 - C. "AMP" AND DATE CODE ON FRONT SHELL, NEAR SIDE.
 - D. AMP PART NUMBER ON REAR SHELL, NEAR SIDE.
- 4. IF THE FRONT SHELL IS TOO SMALL FOR "AMP", PART NUMBER AND DATE CODE, MARKING SHALL BE SPLIT AS FOLLOWS:
 - A. PART NUMBER ON REAR SHELL, NEAR SIDE.
 - B. "AMP" AND DATE CODE ON FRONT SHELL, NEAR SIDE.
 - C. MILITARY PART NUMBER ON REAR SHELL, FAR SIDE.
- 5. POINT OF ELECTRICAL ENGAGEMENT - AS MEASURED WITH A .0390 [0.991]-0.393 [9.998] DIA SQUARE ENDED TEST PIN.
- 6. THIS DRAWING SHALL BE INTERPRETED IN ACCORDANCE WITH APPLICABLE STANDARDS LISTED IN MIL-STD-100.
- 7. SOLDER DIP PER MIL-STD-2000 COMPOSITION Sn63 CONFORMING TO QQ-S-571 IN THE ENTIRE AREA OF DIMENSION SHOWN. 1218434-6 THRU -10 ONLY.



DIM J	DIM H	DIM E	DIM D	DIM C	DIM B	DIM A	INSERT ARRANGEMENT	NO OF POSN	SHELL SIZE	MILITARY P/N ON CONNECTOR	P/N MARKED ON CONNECTOR	PART NO.
.544 [13.82]	2.188 [55.58]	.620 [15.75]	.428 [10.87]	2.411 [61.24]	2.069 [52.55]	2.650 [67.31]	MS18277-1	50	5	M24308/23-29F	1218434-5	1-1218434-0
.524 [13.31]	2.168 [55.07]	.590 [14.99]	.418 [10.69]	2.401 [60.99]	2.059 [52.30]	2.620 [66.55]	MS18277-1	37	4	M24308/23-28F	1218434-4	1218434-9
.432 [10.97]	2.282 [57.96]	.509 [12.93]	.316 [8.03]	2.505 [63.63]	2.164 [54.97]	2.744 [69.70]	MS18276-1	25	3	M24308/23-27F	1218434-3	1218434-8
.432 [10.97]	1.635 [41.53]	.509 [12.93]	.316 [8.03]	1.857 [47.17]	1.516 [38.51]	2.103 [53.42]	MS18275-1	25	3	M24308/23-26F	1218434-2	1218434-7
.412 [10.46]	1.815 [45.92]	.479 [12.17]	.306 [7.77]	1.847 [46.91]	1.506 [38.25]	2.073 [52.65]	MS18274-1	15	2	M24308/23-25F	1218434-1	1218434-6
.432 [10.97]	1.083 [27.76]	.509 [12.93]	.316 [8.03]	1.317 [33.45]	.976 [24.79]	1.556 [39.52]	MS18273-1	9	1	M24308/23-24F	1218434-5	1218434-4
.412 [10.46]	.749 [19.02]	.479 [12.17]	.306 [7.77]	.979 [24.87]	.638 [16.21]	1.198 [30.43]	MS18272-1	9	1	M24308/23-23F	1218434-4	1218434-3
.544 [13.82]	2.188 [55.58]	.620 [15.75]	.428 [10.87]	2.411 [61.24]	2.069 [52.55]	2.650 [67.31]	MS18277-1	50	5	M24308/23-29F	1218434-5	1218434-5
.524 [13.31]	2.168 [55.07]	.590 [14.99]	.418 [10.69]	2.401 [60.99]	2.059 [52.30]	2.620 [66.55]	MS18277-1	37	4	M24308/23-28F	1218434-4	1218434-5
.432 [10.97]	2.282 [57.96]	.509 [12.93]	.316 [8.03]	2.505 [63.63]	2.164 [54.97]	2.744 [69.70]	MS18276-1	25	3	M24308/23-27F	1218434-3	1218434-4
.432 [10.97]	1.635 [41.53]	.509 [12.93]	.316 [8.03]	1.857 [47.17]	1.516 [38.51]	2.103 [53.42]	MS18275-1	25	3	M24308/23-26F	1218434-2	1218434-3
.412 [10.46]	1.815 [45.92]	.479 [12.17]	.306 [7.77]	1.847 [46.91]	1.506 [38.25]	2.073 [52.65]	MS18274-1	15	2	M24308/23-25F	1218434-1	1218434-2
.432 [10.97]	1.083 [27.76]	.509 [12.93]	.316 [8.03]	1.317 [33.45]	.976 [24.79]	1.556 [39.52]	MS18273-1	9	1	M24308/23-24F	1218434-1	1218434-1
.412 [10.46]	.749 [19.02]	.479 [12.17]	.306 [7.77]	.979 [24.87]	.638 [16.21]	1.198 [30.43]	MS18272-1	9	1	M24308/23-23F	1218434-1	1218434-1



THIS DRAWING IS A CONTROLLED DOCUMENT.

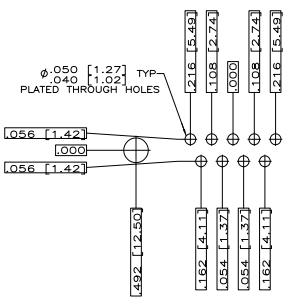
REVISIONS: 13-10-88, 13-10-88, 13-10-88

TE Connectivity

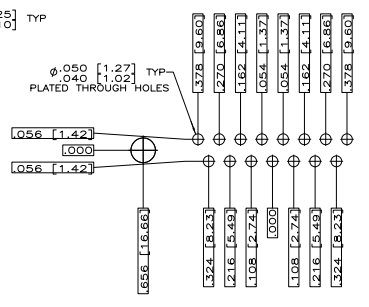
RECEPTACLE ASSY, AMP/LITE RIGHT ANGLE, SERIES 109 SIZES 1 THRU 5

SIZE: 41, DRAWING NO: 1218434, SHEET: 1 OF 2

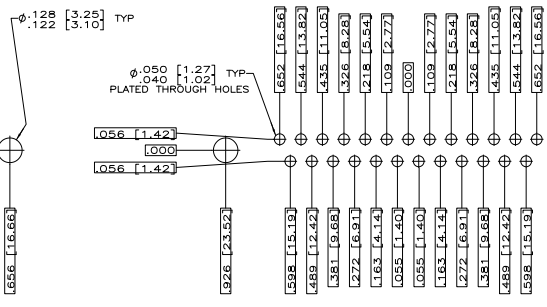
REV	DATE	DESCRIPTION	BY	APP'D
DF	DO	SEE SHEET 1	-	-



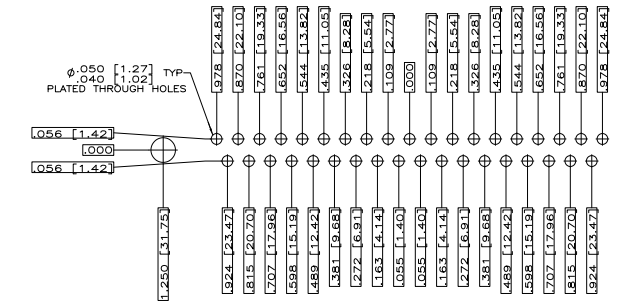
RECOMMENDED P.C. BOARD LAYOUT
 SHELL SIZE 1 (9 POSITION)



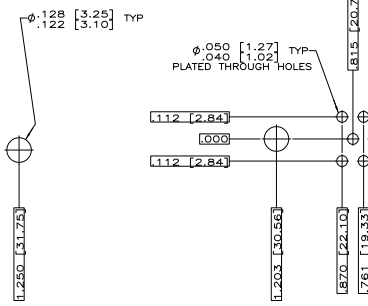
RECOMMENDED P.C. BOARD LAYOUT
 SHELL SIZE 2 (15 POSITION)



RECOMMENDED P.C. BOARD LAYOUT
 SHELL SIZE 3 (25 POSITION)



RECOMMENDED P.C. BOARD LAYOUT
 SHELL SIZE 4 (37 POSITION)



RECOMMENDED P.C. BOARD LAYOUT
 SHELL SIZE 5 (50 POSITION) Δ

THIS DRAWING IS A CONTROLLED DOCUMENT.		REV. CONTROL	12-31-89
DESIGNED BY: J. THOMAS		DATE: 12-31-89	TE Connectivity
DRAWN BY: J. THOMAS		DATE: 12-31-89	RECEPTACLE ASSY/AMPLIMITE
CHECKED BY: J. THOMAS		DATE: 12-31-89	RIGHT ANGLE SERIES 109 SIZE
APPROVED BY: J. THOMAS		DATE: 12-31-89	1 THRU 5
SIZE: A1	DWG NO: 00779	REV: 0	REVISED TO: -
CUSTOMER DRAWING	DATE: 4-1	SHEET: 2	OF: 2