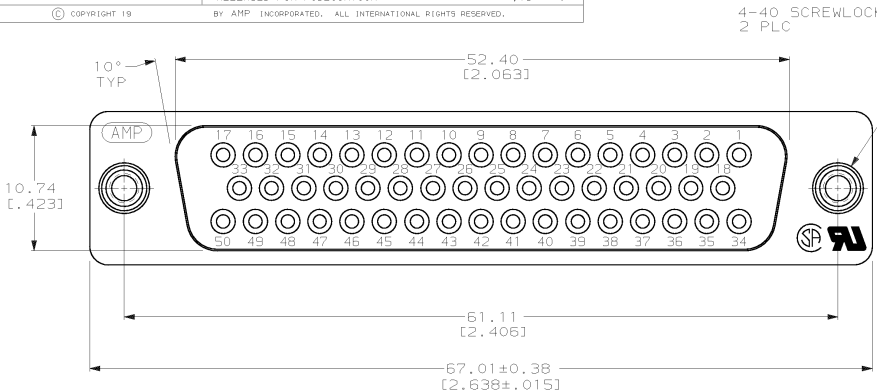
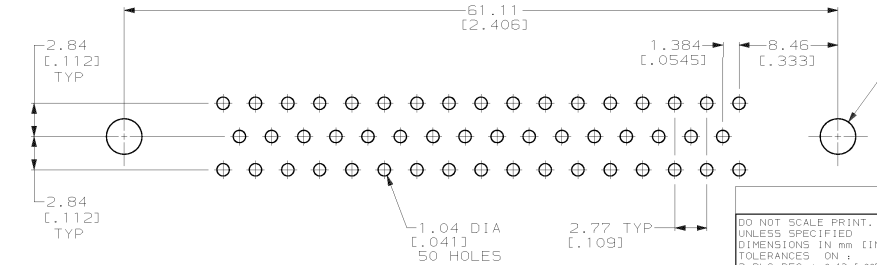
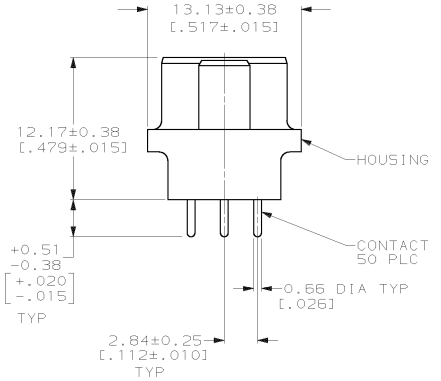
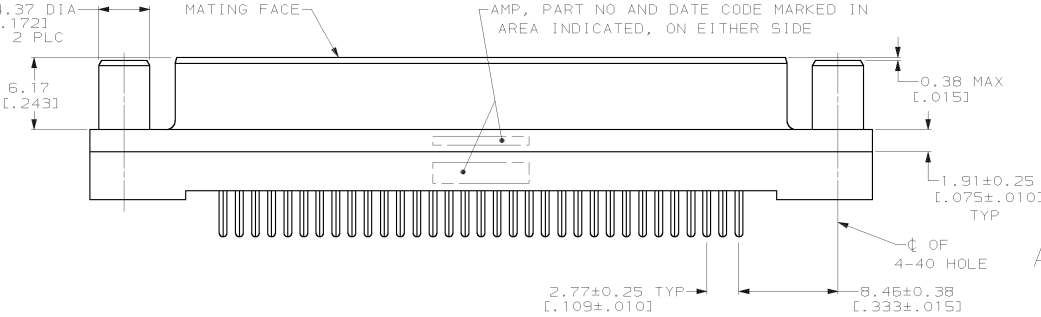


DRAWING MADE IN THIRD ANGLE PROJECTION
 THIS DRAWING IS UNPUBLISHED. RELEASED FOR PUBLICATION .19
 © COPYRIGHT 19 BY AMP INCORPORATED. ALL INTERNATIONAL RIGHTS RESERVED.

REVISIONS								
LOC	DEPT	P	F	ZONE	LTR	DESCRIPTION	DATE	APPD
GP	00				G	REVISED PER EC 0513-0017-03	12/9/93	JG



- 1 HOUSING: BLACK POLYESTER, UL 94V-0 RATED; CONTACTS: PHOSPHOR BRONZE PER QQ-B-750; SCREWLOCKS: BRASS PER QQ-B-626.
- 2 GOLD PLATING PER MIL-G-45204, TIN PLATING PER MIL-T-10727, NICKEL PLATING PER QQ-N-290, COPPER PLATING PER MIL-C-14550.
- 3 GOLD FLASH FOR A LENGTH OF 2.54[.100] MIN FROM MATING END, 2.54µm[.000100] MIN TIN OR TIN-LEAD FOR A LENGTH OF DIMENSION A FROM OPPOSITE END, ALL OVER 1.27µm[.000050] MIN NICKEL.
- 4 0.76µm[.000030] MIN GOLD FOR A LENGTH OF 2.54[.100] MIN FROM MATING END, 2.54µm[.000100] MIN TIN OR TIN-LEAD FOR A LENGTH OF DIMENSION A FROM OPPOSITE END, ALL OVER 1.27µm[.000050] MIN NICKEL.
- 5 1.27µm[.000050] MIN NICKEL OVER COPPER FLASH.



OBSOLETE	6.35 [0.250]	4	745080-8
OBSOLETE	6.35 [0.250]	3	745080-7
	4.32 [0.170]	4	745080-6
OBSOLETE	4.32 [0.170]	3	745080-5
	3.18 [0.125]	4	745080-4
OBSOLETE	3.18 [0.125]	3	745080-3

AMP INCORPORATED Harrisburg, Pa. 17105		NAME	
DR 11-16-89 J McCLINTON	CHK 2-1-90 R. STONE	RECEPTACLE ASSEMBLY, SIZE 5, 50 POSN, VERTICAL, AMPLIMITE® HD-20	
APPD 2-2-90 S. SCHIEFERLY	APPD 2-2-90 C. RHODE	SIZE	CAGE CODE
MATERIAL	PRODUCT SPEC 108-40025	C	00779
FINISH	APPLICATION SPEC	DRAWING NO	745080
CONTACT: SEE TABLE	SCREWLOCK: 5	SCALE	4:1
		SHEET	1 OF 1