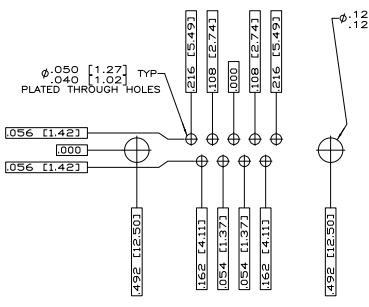
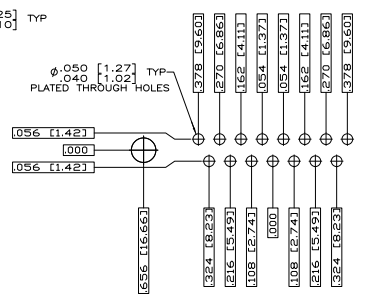


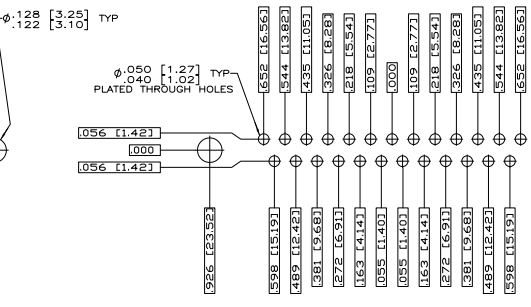
REVISONS		DATE	BY	APP
DF	DO			



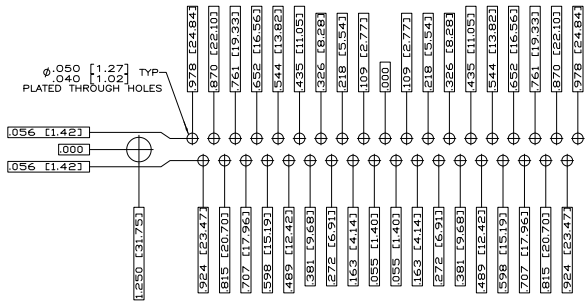
RECOMMENDED P.C. BOARD LAYOUT
 SHELL SIZE 1 (9 POSITION) ▲



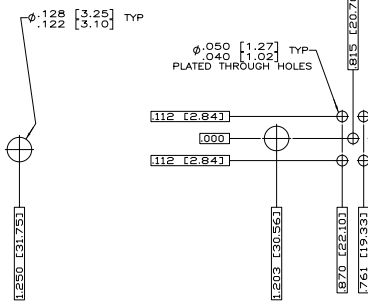
RECOMMENDED P.C. BOARD LAYOUT
 SHELL SIZE 2 (15 POSITION) ▲



RECOMMENDED P.C. BOARD LAYOUT
 SHELL SIZE 3 (25 POSITION) ▲



RECOMMENDED P.C. BOARD LAYOUT
 SHELL SIZE 4 (37 POSITION) ▲



RECOMMENDED P.C. BOARD LAYOUT
 SHELL SIZE 5 (50 POSITION) ▲

THIS DRAWING IS A CONTROLLED DOCUMENT.		TYS ELECTRONICS CORPORATION	
DESIGNED BY: J. THOMAS		TYS ELECTRONICS CORPORATION	
CHECKED BY: J. MILLER		HARRISBURG, PA 17105-3608	
DRAWN BY: J. MILLER		PLUG ASSEMBLY AMPLIMITE	
DATE: 10/1/79		SERIES 109, SIZE 1 THRU 5	
REVISED BY: J. MILLER		TYS ELECTRONICS CORPORATION	
DATE: 10/1/79		100% USE ONE DRAWING NO.	
REVISED BY: J. MILLER		A 100779 G-1757829	
DATE: 10/1/79		REVISIONS TO	
REVISED BY: J. MILLER		REV. 4.1	
DATE: 10/1/79		REV. 2	
REVISED BY: J. MILLER		REV. R	