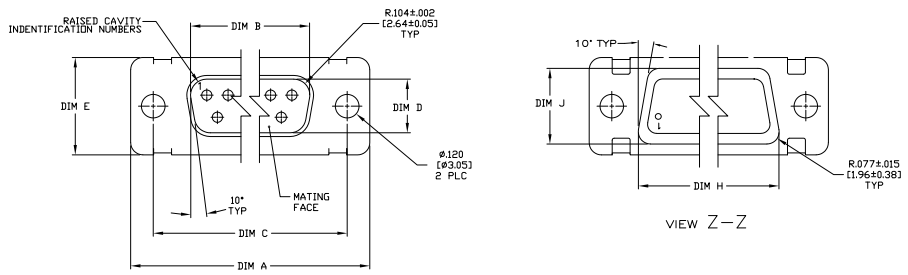
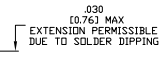
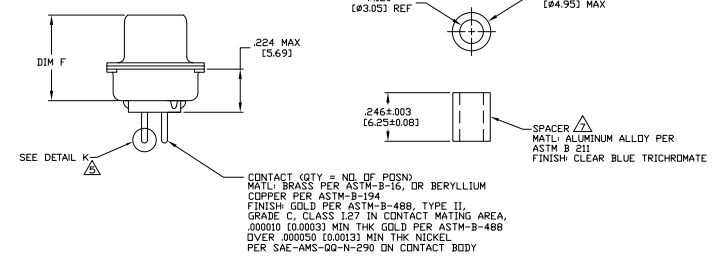
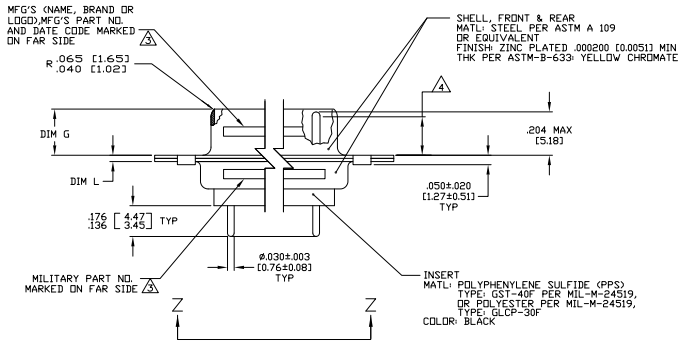


THIS DRAWING IS UNCLASSIFIED
 REASON FOR DECLASSIFICATION: N/A
 DATE OF DECLASSIFICATION: 04-28-2009 BY: 2025 ELECTRONICS CORPORATION

REV	DF	NO	DESCRIPTION	DATE	BY	CHK
A	AO	1	REV PER ECO-08-004109	28FEB08	PY	RL
B	AO	2	REV PER ECO-08-018792	21AUG08	PK	BW



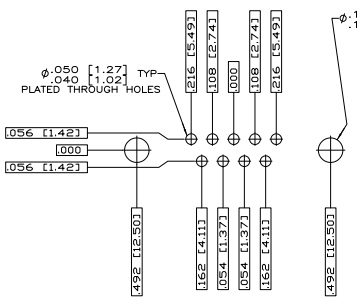
- 1. SEE SHEET 2 FOR RECOMMENDED P.C. BOARD LAYOUT. TRUE POSITION TOLERANCE FOR P.C. BOARD LAYOUT IS .010 (0.25) AT MAX MATERIAL CONDITION. SUGGESTED BOARD THICKNESS IS .062 (1.57)
- 2. THE CONNECTORS DESCRIBED IN THIS DOCUMENT MEET THE REQUIREMENTS OF MIL-C-24308 AND MATE WITH ANY PLUG CONNECTOR WITH SAME INSERT ARRANGEMENT.
- 3. MARKED WITH .047 [1.19]-.062 [1.57] HIGH CHARACTERS. FAR SIDE REFERS TO THE WIDE SIDE OF THE KEYSTONE. NEAR SIDE REFERS TO THE NARROW SIDE OF THE KEYSTONE. IF THE SHELL IS TOO SMALL FOR ENTIRE MARKING MARKING SHALL BE SPLIT AS FOLLOWS:
 - A. "M24308" ON FRONT SHELL, FAR SIDE.
 - B. SLASH SHEET AND DASH NUMBER ON REAR SHELL, FAR SIDE.
 - C. "MFG'S NAME, BRAND OR LOGO AND DATE CODE ON FRONT SHELL, NEAR SIDE.
 - D. MFG'S PART NUMBER ON REAR SHELL, NEAR SIDE.
- 4. REQUIREMENT FOR FULL PIN DIAMETER EXTENSION:
 - .159 (4.04 MIN FOR SHELL SIZE 1 THRU 2); .150 (3.81) MIN FOR SHELL SIZE 3, 4 & 5.
- 5. SOLDER DIPPED PER J-STD-001 WITH Sn63 SOLDER PER J-STD-006 IN THE ENTIRE AREA OF DIMENSION SHOWN (1757827-6 THRU -10 ONLY.)
- 6. MEETS SOLDERABILITY PER MIL-STD-202 METHOD 20B.
- 7. SPACERS (QTY = 2) ARE SUPPLIED WITH CONNECTOR; NOT ATTACHED.



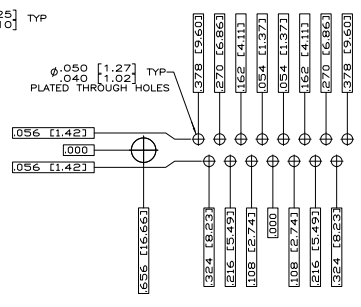
DETAIL K
 SCALE 10:1
 FOR 1757827-6 THRU -10 ONLY

.049	1.24	.544	13.82	2.188	55.56	.236	5.99	.436	11.07	.620	15.75	.446	11.33	2.411	61.24	2.084	52.93	2.650	67.31	MS18277-1	50	5	M24308/24-5	1757827-5	1-1757827-0
.029	[0.74]	.524	[13.31]	2.168	[55.07]	.224	[5.69]	.416	[10.57]	.590	[14.99]	.436	[11.07]	2.401	[60.99]	2.074	[52.68]	2.620	[66.50]	MS18276-1	37	4	M24308/24-4	1757827-4	1757827-9
.049	1.24	.492	10.97	2.282	57.96	.236	5.99	.436	11.07	.509	12.93	.334	8.48	2.505	63.63	2.187	55.35	2.744	69.70	MS18276-1	37	4	M24308/24-4	1757827-4	1757827-9
.029	[0.74]	.412	[10.46]	2.262	[57.45]	.224	[5.69]	.416	[10.57]	.479	[12.17]	.324	8.23	2.495	[63.37]	2.177	[55.30]	2.714	[68.94]	MS18275-1	25	3	M24308/24-3	1757827-3	1757827-9
.049	1.24	.432	10.97	1.635	41.53	.236	5.99	.436	11.07	.309	12.93	.334	8.48	1.857	47.17	1.335	33.99	2.103	53.45	MS18275-1	25	3	M24308/24-3	1757827-3	1757827-9
.029	[0.74]	.412	[10.46]	1.615	[41.02]	.224	[5.69]	.416	[10.57]	.479	[12.17]	.324	8.23	1.847	[46.91]	1.329	[33.84]	2.073	[52.65]	MS18274-1	15	2	M24308/24-2	1757827-2	1757827-9
.040	1.02	.432	10.97	1.053	27.76	.238	6.05	.436	11.07	.309	12.93	.334	8.48	1.317	33.45	.999	25.27	1.556	39.55	MS18274-1	15	2	M24308/24-2	1757827-2	1757827-9
.020	[0.51]	.412	[10.46]	1.073	[27.28]	.229	[5.82]	.416	[10.46]	.479	[12.17]	.324	8.23	1.307	[33.20]	.989	[25.12]	1.526	[38.76]	MS18274-1	15	2	M24308/24-2	1757827-2	1757827-9
.040	1.02	.432	10.97	.769	19.53	.238	6.05	.436	11.07	.509	12.93	.334	8.48	.969	24.10	.671	17.04	1.228	31.19	MS18273-1	9	1	M24308/24-1	1757827-1	1757827-9
.020	[0.51]	.412	[10.46]	.749	[19.02]	.229	[5.82]	.416	[10.46]	.479	[12.17]	.324	8.23	.979	[24.87]	.661	[16.79]	1.198	[30.43]	MS18273-1	9	1	M24308/24-1	1757827-1	1757827-9
.049	1.24	.544	13.82	2.188	55.56	.236	5.99	.436	11.07	.620	15.75	.446	11.33	2.411	61.24	2.084	52.93	2.650	67.31	MS18277-1	50	5	M24308/24-5	1757827-5	1757827-9
.029	[0.74]	.524	[13.31]	2.168	[55.07]	.224	[5.69]	.416	[10.57]	.590	[14.99]	.436	[11.07]	2.401	[60.99]	2.074	[52.68]	2.620	[66.50]	MS18276-1	37	4	M24308/24-4	1757827-4	1757827-9
.049	1.24	.492	10.97	2.282	57.96	.236	5.99	.436	11.07	.509	12.93	.334	8.48	2.505	63.63	2.187	55.35	2.744	69.70	MS18276-1	37	4	M24308/24-4	1757827-4	1757827-9
.029	[0.74]	.412	[10.46]	2.262	[57.45]	.224	[5.69]	.416	[10.57]	.479	[12.17]	.324	8.23	2.495	[63.37]	2.177	[55.30]	2.714	[68.94]	MS18275-1	25	3	M24308/24-3	1757827-3	1757827-9
.049	1.24	.432	10.97	1.635	41.53	.236	5.99	.436	11.07	.309	12.93	.334	8.48	1.857	47.17	1.335	33.99	2.103	53.45	MS18275-1	25	3	M24308/24-3	1757827-3	1757827-9
.029	[0.74]	.412	[10.46]	1.615	[41.02]	.224	[5.69]	.416	[10.57]	.479	[12.17]	.324	8.23	1.847	[46.91]	1.329	[33.84]	2.073	[52.65]	MS18274-1	15	2	M24308/24-2	1757827-2	1757827-9
.040	1.02	.432	10.97	1.053	27.76	.238	6.05	.436	11.07	.309	12.93	.334	8.48	1.317	33.45	.999	25.27	1.556	39.55	MS18274-1	15	2	M24308/24-2	1757827-2	1757827-9
.020	[0.51]	.412	[10.46]	1.073	[27.28]	.229	[5.82]	.416	[10.46]	.479	[12.17]	.324	8.23	1.307	[33.20]	.989	[25.12]	1.526	[38.76]	MS18274-1	15	2	M24308/24-2	1757827-2	1757827-9
.040	1.02	.432	10.97	.769	19.53	.238	6.05	.436	11.07	.509	12.93	.334	8.48	.969	24.10	.671	17.04	1.228	31.19	MS18273-1	9	1	M24308/24-1	1757827-1	1757827-9
.020	[0.51]	.412	[10.46]	.749	[19.02]	.229	[5.82]	.416	[10.46]	.479	[12.17]	.324	8.23	.979	[24.87]	.661	[16.79]	1.198	[30.43]	MS18273-1	9	1	M24308/24-1	1757827-1	1757827-9

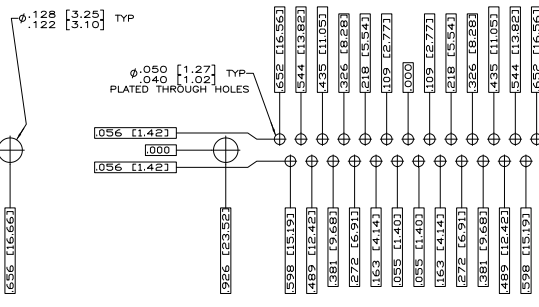
SHIPPING NOTES	INSPECTION METHODS	DATE	REVISIONS
THIS DRAWING IS A CONTROLLED DOCUMENT. IT IS THE PROPERTY OF THE COMPANY AND IS NOT TO BE REPRODUCED OR TRANSMITTED IN ANY FORM OR BY ANY MEANS, ELECTRONIC OR MECHANICAL, INCLUDING PHOTOCOPYING, RECORDING, OR BY ANY INFORMATION STORAGE AND RETRIEVAL SYSTEM.	DATE: 3-28-08 BY: J. MILLER CHECKED: J. MILLER DATE: 3-28-08	DATE: 3-28-08	REV: 1 DESCRIPTION: PLUG ASSEMBLY,AMPLIMATE,POSTED SERIES 109,SIZE 1 THRU 5
DATE: 3-28-08 BY: J. MILLER CHECKED: J. MILLER DATE: 3-28-08	DATE: 3-28-08	REV: 2 DESCRIPTION: PLUG ASSEMBLY,AMPLIMATE,POSTED SERIES 109,SIZE 1 THRU 5	



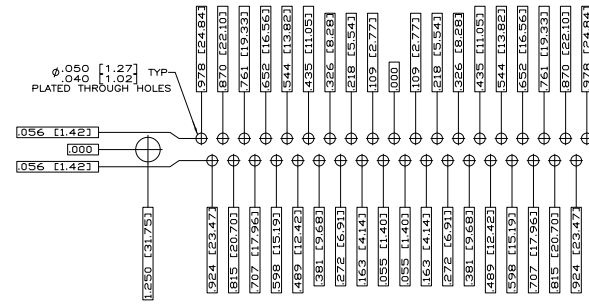
RECOMMENDED P.C. BOARD LAYOUT
 SHELL SIZE 1 (9 POSITION) ▲



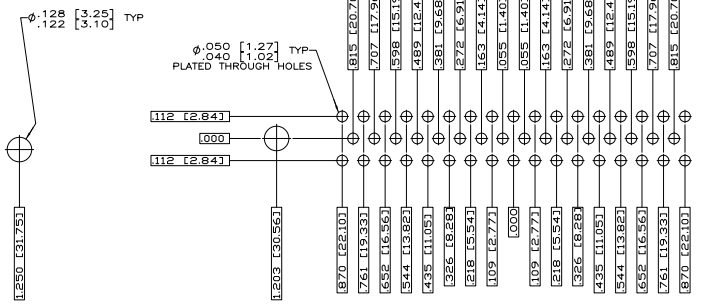
RECOMMENDED P.C. BOARD LAYOUT
 SHELL SIZE 2 (15 POSITION) ▲



RECOMMENDED P.C. BOARD LAYOUT
 SHELL SIZE 3 (25 POSITION) ▲



RECOMMENDED P.C. BOARD LAYOUT
 SHELL SIZE 4 (37 POSITION) ▲



RECOMMENDED P.C. BOARD LAYOUT
 SHELL SIZE 5 (50 POSITION) ▲

THIS DRAWING IS A CONTROLLED DOCUMENT.		TYSO ELECTRONICS CORPORATION	
DESIGNED BY	REVISIONS	DATE	BY
HECK	1		
DATE	DESCRIPTION	DATE	BY
CUSTOMER DRAWING		DATE	BY
		DATE	BY