

4

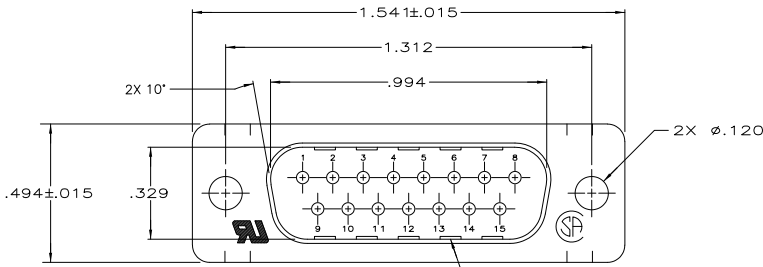
3

2

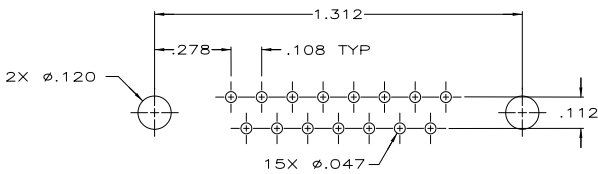
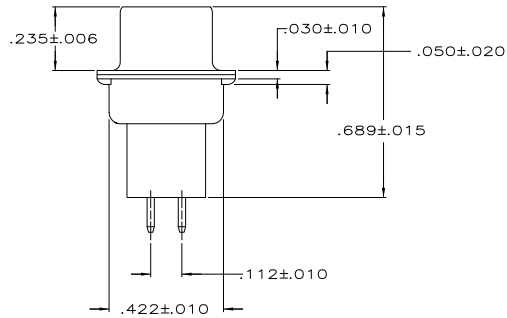
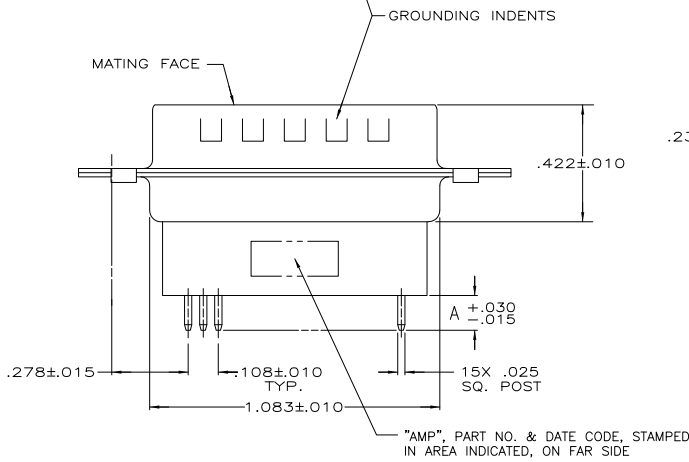
1

THIS DRAWING IS UNPUBLISHED. RELEASED FOR PUBLICATION  
 © COPYRIGHT BY TYCO ELECTRONICS CORPORATION. ALL RIGHTS RESERVED.

LOC	DIST	REVISIONS					
GP	00	P	LTR	DESCRIPTION	DATE	MIN	APD
		J		REVISED PER ECO-10-000073	18/FEB/2010	CJV	SB



- NOTE DELETED.
- MOLDED PARTS: FLAME RETARDANT 94V-0 RATED THERMOPLASTIC; COLOR, BLACK  
CONTACT: BRASS  
SHELLS: STEEL
- GOLD FLASH FOR A LENGTH OF .150 MIN FROM MATING END .000100 MIN TIN-LEAD ON OPPOSITE END, ALL OVER .000050 MIN NICKEL.
- GOLD PLATED FOR A LENGTH OF .150 FROM MATING END, .000030 MIN GOLD IN MATED AREA, .000100 MIN TIN-LEAD ON OPPOSITE END, ALL OVER .000050 MIN NICKEL.  
-OR-  
GOLD FLASH OVER PALLADIUM-NICKEL PLATED FOR LENGTH OF .150 MIN FROM MATING END, .000030 MIN TOTAL IN MATED AREA, .000100 MIN TIN-LEAD ON OPPOSITE END, ALL OVER .000050 MIN NICKEL.
- .000200 MIN TIN OVER .000100 MIN COPPER.



P.C. BOARD MOUNTING DIMENSIONS

SUPSD BY 745411-1	△	.188	745411-8
SUPSD BY 745411-1	△	.188	745411-7
OBSOLETE	△	.651	745411-6
OBSOLETE	△	.651	745411-5
OBSOLETE	△	.427	745411-4
OBSOLETE	△	.427	745411-3
SUPSD BY 745411-1	△	.125	745411-2
	△	.125	745411-1
CONTACT FINISH	A	DIMENSION	PART NUMBER

THIS DRAWING IS A CONTROLLED DOCUMENT.

DESIGNED BY: J. GERACE	DATE: 10-25-83	Tyco Electronics Corporation Harrisburg, PA 17105-3608
CHKD BY: J. GERACE	DATE: 10-25-83	
APPROVED BY: B. TAYLOR	DATE: 1-4-84	PLUG ASSEMBLY, SIZE 2, 15 POS, VERTICAL, W/ GROUNDING INDENTS, AMPLIMITE
PRODUCT SPEC: 108-40025	NAME:	
APPLICATION SPEC: 114-40013	SIZE: A2	RESTRICTED TO: -
MATERIAL FINISH: △	CHG CODE: 00779	
SHELLS: △	DWG NO: C=745411	SCALE: NTS
CONTACTS: SEE TABLE	CUSTOMER DRAWING	SHEET: 1 of 1