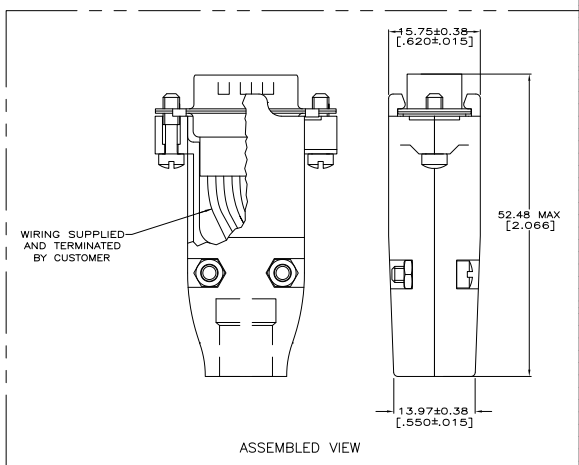
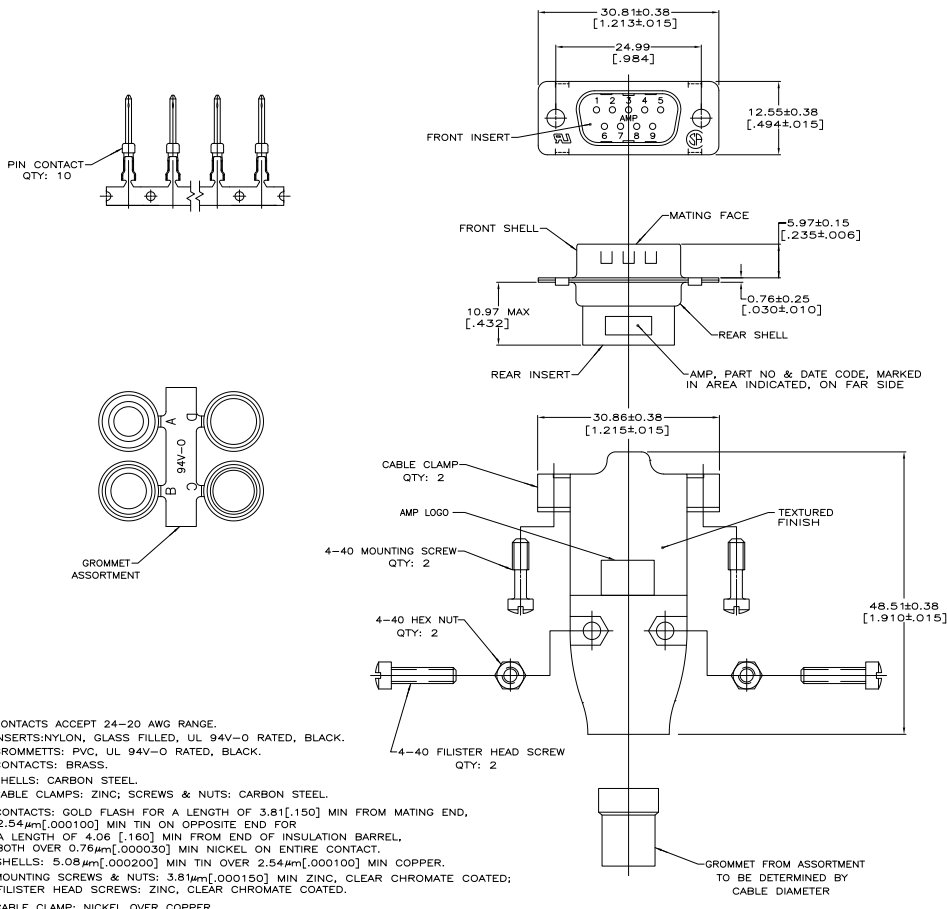


THIS DRAWING IS UNPUBLISHED
 ALL RIGHTS RESERVED

REV	DATE	DESCRIPTION	BY	CHK	APP
00					
B1		REVISED PER ECO-11-004835			



- 1. CONTACTS ACCEPT 24-20 AWG RANGE.
- ▲ INSERTS: NYLON, GLASS FILLED, UL 94V-0 RATED, BLACK.
- ▲ GROMMETS: PVC, UL 94V-0 RATED, BLACK.
- ▲ CONTACTS: BRASS.
- ▲ SHELLS: CARBON STEEL.
- ▲ CABLE CLAMPS: ZINC; SCREWS & NUTS: CARBON STEEL.
- ▲ CONTACTS: GOLD FLASH FOR A LENGTH OF 3.81[.150] MIN FROM MATING END, 2.54µm[.000100] MIN TIN ON OPPOSITE END FOR A LENGTH OF 4.06[.160] MIN FROM END OF INSULATION BARREL, BOTH OVER 0.76µm[.000050] MIN NICKEL ON ENTIRE CONTACT.
- ▲ SHELLS: 5.08µm[.000200] MIN TIN OVER 2.54µm[.000100] MIN COPPER.
- ▲ MOUNTING SCREWS & NUTS: 3.81µm[.000150] MIN ZINC, CLEAR CHROMATE COATED; FILISTER HEAD SCREWS: ZINC, CLEAR CHROMATE COATED.
- ▲ CABLE CLAMP: NICKEL OVER COPPER.

THIS DRAWING IS A CONTROLLED DOCUMENT.		REV	DATE	DESCRIPTION	BY	CHK	APP
UNLESS OTHERWISE SPECIFIED:		UNIT	MILLIMETER				
DIMENSIONS:		FINISH	BOLASH	TOLERANCE			
DRAWN BY: 108-40005		DATE	114-40030	SIZE	A1	00779	749805-7
CHECKED BY: 114-40030		DATE		SCALE	2:1	SHEET	1 OF 1
APPROVED BY:		CUSTOMER DRAWING					