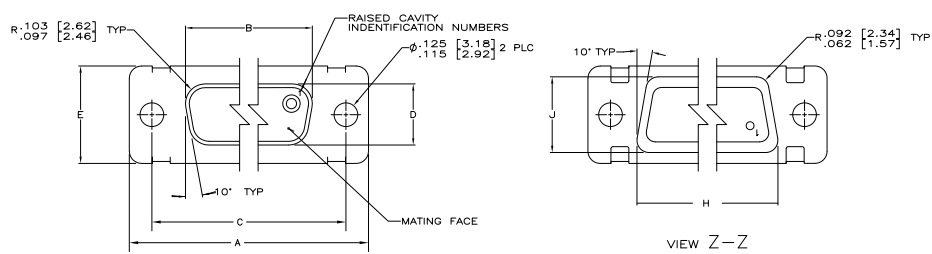
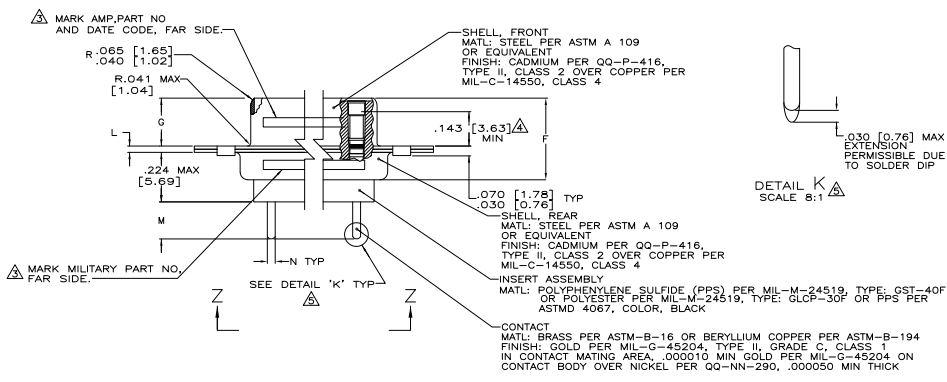


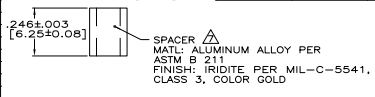
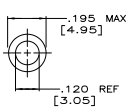
REV	DATE	DESCRIPTION	BY	CHK	APP
01		REVISED PER EDD-11-005030			



- △ SEE SHEET 2 FOR RECOMMENDED P.C. BOARD LAYOUT. TRUE POSITION TOLERANCE FOR P.C. BOARD LAYOUT IS .010 [0.25] AT MAX MATERIAL CONDITION. SUGGESTED BOARD THICKNESS IS .125 [3.18]
- 2. THE CONNECTORS DESCRIBED IN THIS DOCUMENT MEET THE REQUIREMENTS OF MIL-C-24308 AND MATE WITH ANY PLUG CONNECTOR WITH SAME INSERT ARRANGEMENT.
- △ MARK WITH .047 [1.19]-.062 [1.57] HIGH CHARACTERS. FAR SIDE REFERS TO THE WIDE SIDE OF THE KEYSTONE. NEAR SIDE REFERS TO THE NARROW SIDE OF THE KEYSTONE. IF THE REAR SHELL IS TOO SMALL FOR THE ENTIRE MILITARY PART NUMBER, MARKING SHALL BE LOCATED AS FOLLOWS:
 - A. "M24308" ON FRONT SHELL, FAR SIDE.
 - B. SLASH SHEET AND DASH NUMBER ON REAR SHELL, FAR SIDE.
 - C. "AMP" AND DATE CODE ON FRONT SHELL, NEAR SIDE.
 - D. PART NUMBER ON REAR SHELL, NEAR SIDE.
- IF THE FRONT SHELL IS TOO SMALL FOR "AMP", PART NUMBER AND DATE CODE, THEN SPLIT AS FOLLOWS:
 - A. PART NUMBER ON REAR SHELL, NEAR SIDE.
 - B. "AMP" AND DATE CODE ON FRONT SHELL, NEAR SIDE.
 - C. MILITARY PART NUMBER ON REAR SHELL, FAR SIDE.
- △ POINT OF ELECTRICAL ENGAGEMENT - AS MEASURED WITH A .0390 [0.991]-.0393 [0.998] DIA SQUARE ENDED TEST PIN.
- △ SOLDER DIP PER MIL-STD-2000 COMPOSITION Sn63 CONFORMING TO QQ-S-571. COVERAGE SHALL BE COMPLETE TO A DISTANCE .020 [0.51] MAX FROM INSERT ASSEMBLY.
- 6. THE SOLDER DIP PROCESS IS PERFORMED SUBSEQUENT TO THE COMPLETION OF PRODUCTION OF THE MILITARY QUALIFIED CONNECTOR. DIMENSIONS APPLY PRIOR TO SOLDER DIPPING.
- △ SPACERS (QTY 2) ARE SUPPLIED WITH CONNECTORS (NOT ATTACHED TO THE CONNECTOR).
- 8. DIMENSIONS AND TOLERANCES PER ANSI Y14.5M-1982.
- 9. THIS DRAWING SHALL BE INTERPRETED IN ACCORDANCE WITH APPLICABLE STANDARDS LISTED IN MIL-STD-100.

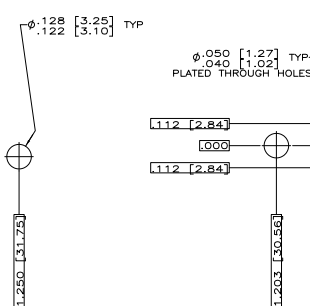
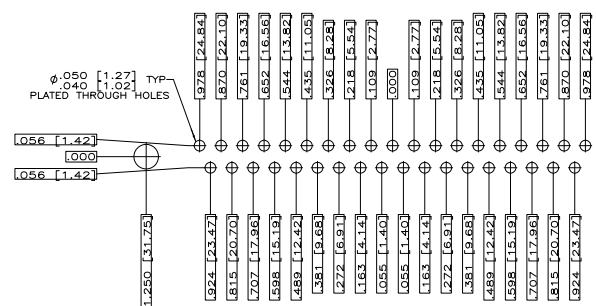
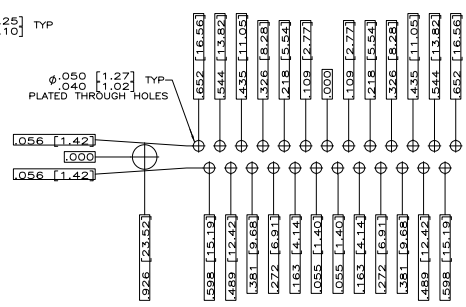
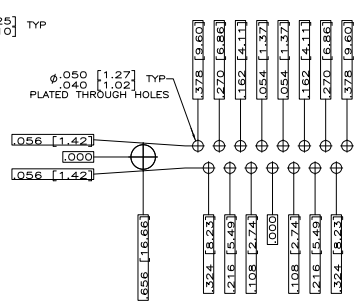
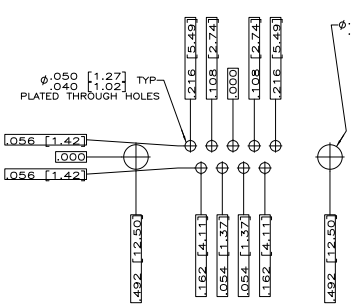


				.544 [13.82]	2.188 [55.58]			.620 [15.75]	.428 [10.87]	2.411 [61.24]	2.069 [52.55]	2.650 [67.31]	MS18277-1	50	5	M24308/23-11F	443976-5	1-443976-0	
				.524 [13.31]	2.168 [55.07]			.590 [14.99]	.418 [10.62]	2.401 [60.98]	2.059 [52.30]	2.620 [66.55]	MS18276-1	37	4	M24308/23-10F	443976-4	443976-9	
				2.282 [57.96]	2.262 [57.45]			2.485 [63.37]	2.154 [54.71]	2.714 [68.94]	2.485 [63.37]	2.154 [54.71]	2.714 [68.94]	MS18275-1	25	3	M24308/23-9F	443976-3	443976-8
				1.635 [41.53]	1.615 [41.02]			1.857 [47.17]	1.516 [38.51]	2.103 [53.42]	1.847 [46.91]	1.506 [38.25]	2.073 [52.65]	MS18274-1	15	2	M24308/23-8F	443976-2	443976-7
				.432 [10.97]	1.615 [41.02]			1.317 [33.45]	.976 [24.79]	1.506 [38.25]	1.307 [33.20]	.966 [24.54]	1.526 [38.76]	MS18273-1	9	1	M24308/23-7F	443976-1	443976-6
				.412 [10.46]	1.093 [27.76]			.989 [25.12]	.648 [16.46]	1.228 [31.19]	.979 [24.87]	.638 [16.21]	1.198 [30.43]	MS18272-1	50	5	M24308/23-11F	443976-5	443976-9
				.769 [19.53]	.749 [19.02]			2.411 [61.24]	2.069 [52.55]	2.650 [67.31]	2.485 [63.37]	2.154 [54.71]	2.714 [68.94]	MS18276-1	37	4	M24308/23-10F	443976-4	443976-8
				.248 [6.30]	.238 [6.05]			1.857 [47.17]	1.516 [38.51]	2.103 [53.42]	1.847 [46.91]	1.506 [38.25]	2.073 [52.65]	MS18275-1	25	3	M24308/23-9F	443976-3	443976-7
				.439 [11.15]	.419 [10.64]			1.307 [33.20]	.966 [24.54]	1.526 [38.76]	1.317 [33.45]	.976 [24.79]	1.506 [38.25]	MS18274-1	15	2	M24308/23-8F	443976-2	443976-6
				.620 [15.75]	.590 [14.99]			.989 [25.12]	.648 [16.46]	1.228 [31.19]	.979 [24.87]	.638 [16.21]	1.198 [30.43]	MS18273-1	9	1	M24308/23-7F	443976-1	443976-5
				.544 [13.82]	2.188 [55.58]			2.411 [61.24]	2.069 [52.55]	2.650 [67.31]	2.485 [63.37]	2.154 [54.71]	2.714 [68.94]	MS18277-1	50	5	M24308/23-11F	443976-5	443976-9
				.524 [13.31]	2.168 [55.07]			2.401 [60.98]	2.059 [52.30]	2.620 [66.55]	2.485 [63.37]	2.154 [54.71]	2.714 [68.94]	MS18276-1	37	4	M24308/23-10F	443976-4	443976-8
				2.282 [57.96]	2.262 [57.45]			1.857 [47.17]	1.516 [38.51]	2.103 [53.42]	1.847 [46.91]	1.506 [38.25]	2.073 [52.65]	MS18275-1	25	3	M24308/23-9F	443976-3	443976-7
				1.635 [41.53]	1.615 [41.02]			1.307 [33.20]	.966 [24.54]	1.526 [38.76]	1.317 [33.45]	.976 [24.79]	1.506 [38.25]	MS18274-1	15	2	M24308/23-8F	443976-2	443976-6
				.432 [10.97]	1.615 [41.02]			.989 [25.12]	.648 [16.46]	1.228 [31.19]	.979 [24.87]	.638 [16.21]	1.198 [30.43]	MS18273-1	9	1	M24308/23-7F	443976-1	443976-5
				.412 [10.46]	1.093 [27.76]			2.411 [61.24]	2.069 [52.55]	2.650 [67.31]	2.485 [63.37]	2.154 [54.71]	2.714 [68.94]	MS18276-1	37	4	M24308/23-10F	443976-4	443976-8
				.769 [19.53]	.749 [19.02]			1.857 [47.17]	1.516 [38.51]	2.103 [53.42]	1.847 [46.91]	1.506 [38.25]	2.073 [52.65]	MS18275-1	25	3	M24308/23-9F	443976-3	443976-7
				.248 [6.30]	.238 [6.05]			1.307 [33.20]	.966 [24.54]	1.526 [38.76]	1.317 [33.45]	.976 [24.79]	1.506 [38.25]	MS18274-1	15	2	M24308/23-8F	443976-2	443976-6
				.439 [11.15]	.419 [10.64]			.989 [25.12]	.648 [16.46]	1.228 [31.19]	.979 [24.87]	.638 [16.21]	1.198 [30.43]	MS18273-1	9	1	M24308/23-7F	443976-1	443976-5



NO	ARRANGEMENT	NO OF POS	SHELL SIZE	MILITARY P/N ON CONNECTOR	P/N ON CONNECTOR	PART NUMBER
1	MS18277-1	50	5	M24308/23-11F	443976-5	1-443976-0
2	MS18276-1	37	4	M24308/23-10F	443976-4	443976-9
3	MS18275-1	25	3	M24308/23-9F	443976-3	443976-8
4	MS18274-1	15	2	M24308/23-8F	443976-2	443976-7
5	MS18273-1	9	1	M24308/23-7F	443976-1	443976-6
6	MS18277-1	50	5	M24308/23-11F	443976-5	443976-9
7	MS18276-1	37	4	M24308/23-10F	443976-4	443976-8
8	MS18275-1	25	3	M24308/23-9F	443976-3	443976-7
9	MS18274-1	15	2	M24308/23-8F	443976-2	443976-6
10	MS18273-1	9	1	M24308/23-7F	443976-1	443976-5

REV	DF	DO	DESCRIPTION	DATE	BY	APP
-	-	-	SEE SHEET 1	-	-	-



THIS DRAWING IS A CONTROLLED DOCUMENT.		DATE: 11/11/11	REV: 1	BY: [Signature]	APP: [Signature]
DESIGNER: [Signature]	ENGINEER: [Signature]	PROJECT: MIL-C-24308	SIZE: 4.1	SHEET: 2	TOTAL: 2
CUSTOMER DRAWING		TE Connectivity			