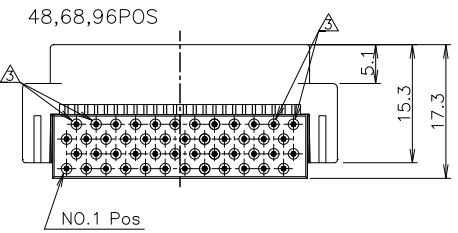
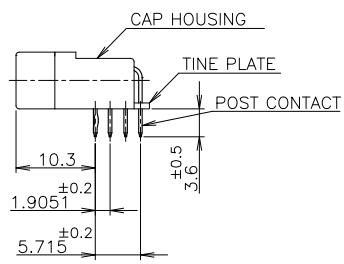
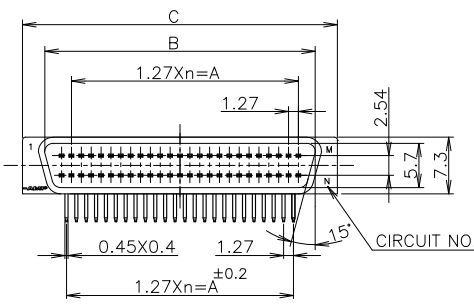
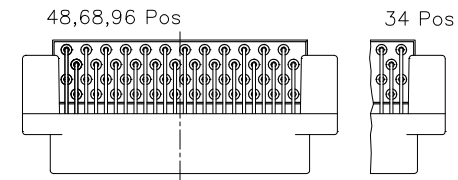
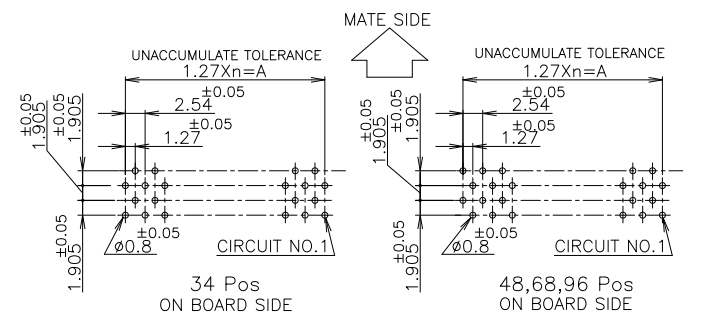


THIS DRAWING IS UNPUBLISHED. RELEASED FOR PUBLICATION DEC. 1987.
 © COPYRIGHT 1987 BY TYCO ELECTRONICS CORPORATION. ALL RIGHTS RESERVED.

LOC	DIST	REVISIONS			
P	LTR	DESCRIPTION	DATE	DWN	APVD
B1		REVISED PER ECO-10-000443	16JAN10	KK	AEG



△ MATERIAL AND FINISH
 CAP HOUSING AND TINE PLATE
 ; THERMOPLASTIC (UL94V-0) COLOR:BLACK
 POST CONTACT
 ; PHOS-BRONZE FINISH, OVER NICKEL
 MATING END: 0.0002 MIN. OR
 0.00076 MIN. GOLD
 TERMINATION END: TIN
 OVER SEALING TREATMENT.
 2 P.C.B. LAYOUT AND P.C.B. TREATMENT (REF.)
 USE A P.C.B. SURFACE ARE TREATED WITH SOLDER RESIST.
 △ KINK POSITIONS (4 POSITIONS).
 △ OBSOLETE PARTS: OBSOLETE CIS STREAMLINING PER D.RENAUD/D.SINISI



REMARK	N	M	A	B	C	n	POS.	PART NO.
△ OBSOLETE	96	48	59.69	64.06	71.00	47	96	6-174684-8
△ OBSOLETE	68	34	41.91	46.28	53.22	33	68	6-174684-7
△ OBSOLETE	48	24	29.21	33.58	40.52	23	48	6-174684-6
△ OBSOLETE	34	17	20.32	24.69	31.63	16	34	6-174684-5
△ OBSOLETE	96	48	59.69	64.06	71.00	47	96	174684-8
△ OBSOLETE	68	34	41.91	46.28	53.22	33	68	174684-7
△ OBSOLETE	48	24	29.21	33.58	40.52	23	48	174684-6
△ OBSOLETE	34	17	20.32	24.69	31.63	16	34	174684-5

鉛フリー
LEAD FREE

GENERAL TOLERANCE
 一般公差
 10 ≥ : ±0.2
 30 ≥ > 10 : ±0.25
 100 ≥ > 30 : ±0.3
 ANGLES: ±3°

THIS DRAWING IS A CONTROLLED DOCUMENT.

DIMENSIONS: 単位: 寸 mm	TOLERANCES UNLESS OTHERWISE SPECIFIED: 一般公差	0 PLC ±	1 PLC ±	2 PLC ±	3 PLC ±	4 PLC ±	ANGLES ±	FINISH 仕上
----------------------------	---	---------	---------	---------	---------	---------	----------	-----------

MATERIAL 材料

FINISH 仕上

DWN Y.SATO 23DEC87
 CHK R.NISHIMURA 23DEC88
 APVD T.DOI 23JAN88

NAME 名称
 PRODUCT SPEC 製品規格
 APPLICATION SPEC 取付適用規格

SIZE A3 CAGE CODE 00779 DRAWING NO 174684
 RESTRICTED TO

CUSTOMER DRAWING SCALE 尺度 2:1 SHEET 1 OF 1 REV B1

Tyco Electronics AMP K.K. Kawasaki, Japan

CAP ASSY HORIZONTAL (W/KINK)
 AMPLIMITE .050 SERIES I B-TO-B CONN.