

4

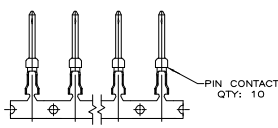
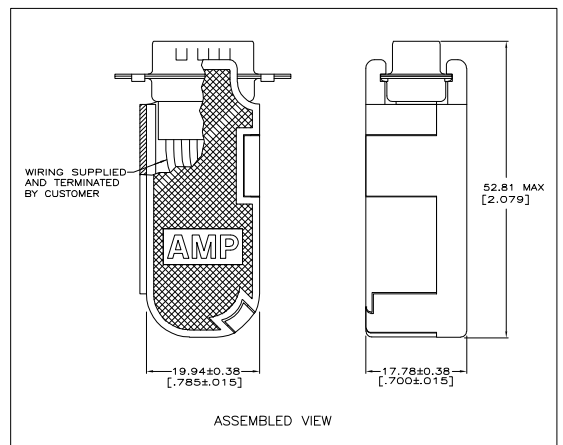
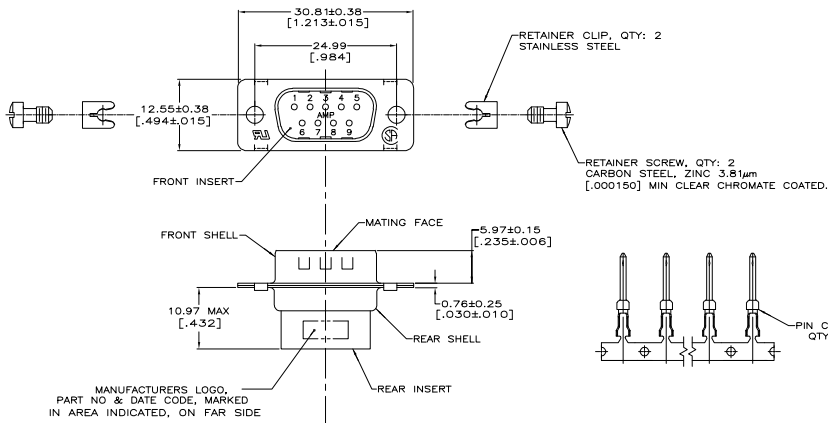
3

2

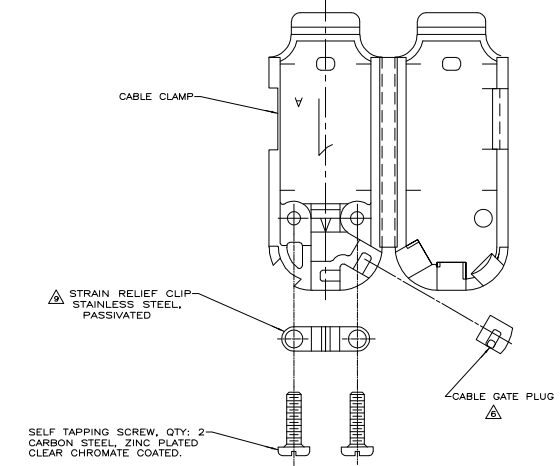
1

THIS DRAWING IS UNPUBLISHED. RELEASED FOR PUBLICATION  
 © COPYRIGHT - BY TYCO ELECTRONICS CORPORATION. ALL RIGHTS RESERVED.

LOC	DIST	REVISIONS				
P	LTR	DESCRIPTION	DATE	DWN	APVD	
GP	00	A	REVISED PER EC 0S13-0266-05	18JUL06	BM CR	



- CONTACTS ACCEPT 20-24 AWG RANGE.
- INSERTS: NYLON, GLASS FILLED, UL 94V-0 RATED, BLACK.
- CABLE CLAMP & CABLE GATE PLUG: POLYPROPYLENE, BLACK
- CONTACTS: BRASS.
- SHELLS: CARBON STEEL.
- CABLE GATE PLUG TO BE PLACED IN CABLE EXIT NOT BEING USED.
- CONTACTS: COLD FLASH FOR A LENGTH OF 3.81[150] MIN FROM MATING END, 2.54µm[.000100] MIN TIN ON OPPOSITE END FOR A LENGTH OF 4.06 [1.60] MIN FROM END OF INSULATION BARREL, BOTH OVER 0.76µm[.000030] MIN NICKEL ON ENTIRE CONTACT.
- SHELLS: 5.08µm[.000200] MIN TIN OVER 2.54µm[.000100] MIN COPPER.
- STRAIN RELIEF CLIP CAN BE REVERSED FOR PROPER INSTALLATION, DEPENDING ON SIZE OF CABLE DIAMETER.
- CABLE DIAMETER RANGE = 1.91-6.35 [.075-.250].



749808-8  
PART NUMBER

THIS DRAWING IS A CONTROLLED DOCUMENT.		DWN L. VARELA - DOCKS 12-22-04		Tyco Electronics Corporation Harrisburg, Pa 17105-3608	
DIMENSIONS: mm [INCHES]		CHK J. GERACE 12-22-04		NAME	PLUG KIT, UNASSEMBLED, SIZE 1, 9 POSITION, AMPLIMITE HDP-20
TOLERANCES UNLESS OTHERWISE SPECIFIED:		APVD M. WALMSLEY 12-22-04	PRODUCT SPEC	RESTRICTED TO	
0 PLC ± -		PRODUCT SPEC	108-40005	-	
1 PLC ± -		APPLICATION SPEC	114-10000 & 114-40030	-	
2 PLC ± 0.13 [005]		WEIGHT	-	-	
3 PLC ± -		SIZE	A3	CAGE CODE	00779
4 PLC ± -		DRAWING NO	C-749808-8		
ANGLES ± -		CUSTOMER DRAWING	SCALE	3:1	SHEET 1 OF 1
MATERIAL		FINISH		REV	A

AMP 1470-19 REV 31MAR2000