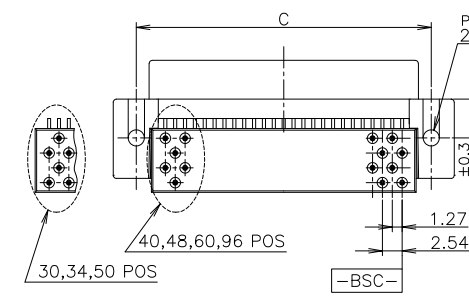
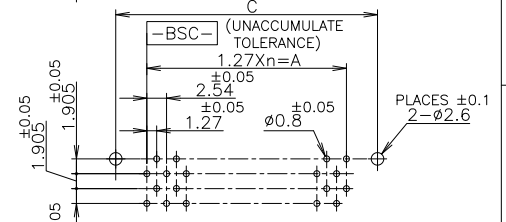
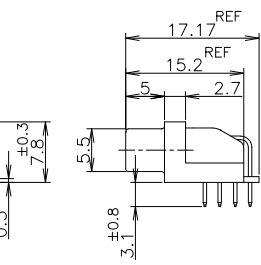
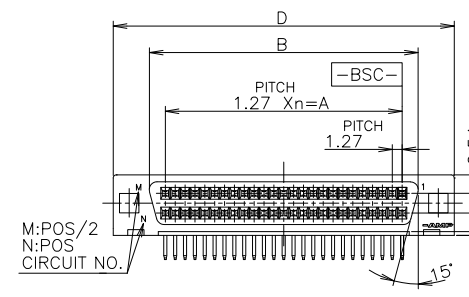
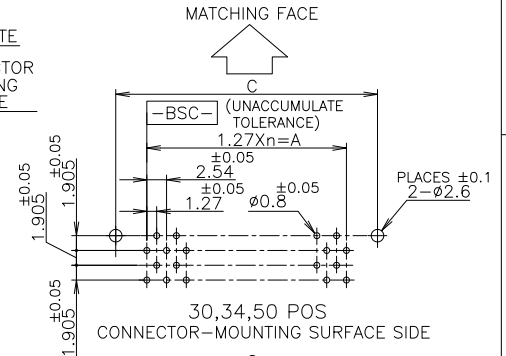
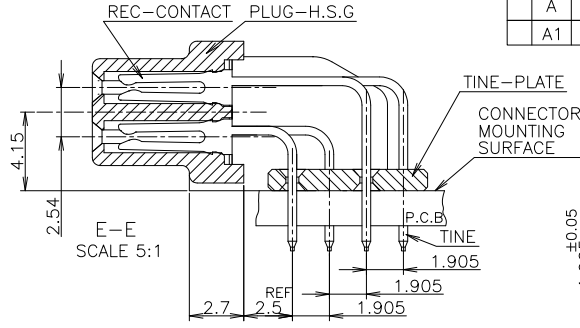
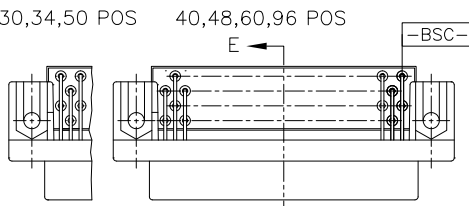


THIS DRAWING IS UNPUBLISHED. RELEASED FOR PUBLICATION AUG. 2004.  
 © COPYRIGHT 2004 BY TYCO ELECTRONICS CORPORATION. ALL RIGHTS RESERVED.

LOC	DIST	REVISIONS			
P	LTR	DESCRIPTION	DATE	DWN	APVD
	A	REVISED ECR-09-015031	20OCT09	A.Z	S.Y
	A1	REVISED PER ECO-09-024927	09NOV09	KK	AEG



- 1 USE A P.C.B. WHOSE SURFACES ARE TREATED WITH SOLDER RESIST.
  - 2 SHOW P.C.B LAYOUT FROM THE CONNECTOR-MOUNTING SURFACE SIDE.
  - 3 NUMBER THE CONTACTS IN THE P.C.B OR CONNECTOR CONSECUTIVELY FROM THE BSC SIDE.
  - 4 WHEN SCREWING THE CONNECTOR TO THE P.C.B, USE M2 SCREW, NUT AND WASHERS.
- △ HOUSING MATERIAL : GLASS 20% FILLED P.B.T RESIN (UL94-V0). COLOR:BLACK  
 △ CONTACT MATERIAL : PHOSPHOR BRONZE  
 △ FINISH : NICKEL 0.00127 MIN THK OVERALL SELECTIVE GOLD 0.0002 MIN THK ON CONTACT AREA AND TIN 0.001MIN THK ON TINE AREA.  
 △ OBSOLETE PARTS: OBSOLETE CIS STREAMLINING PER D.RENAUD/D.SINISI

	-8	96	47	59.61	63.86	67.09	73.09	
△	-6	48	23	29.21	33.38	36.61	42.61	
△	-5	34	16	20.32	24.49	27.72	33.72	
△	-4	60	29	36.83	41.00	44.23	50.23	
△	-3	50	24	30.48	34.65	37.88	43.88	
△	-2	40	19	24.13	28.30	31.53	37.53	
△	5173277	1	30	14	17.78	21.95	25.18	31.18
	P/N	POS	n	A	B	C	D	

LEAD FREE

GENERAL TOLERANCE

10 ≥ : ±0.2
30 ≥ > 10: ±0.25
100 ≥ > 30: ±0.3
ANGLES: ±3°

THIS DRAWING IS A CONTROLLED DOCUMENT.

DIMENSIONS: MM

TOLERANCES UNLESS OTHERWISE SPECIFIED:

0 PLC	±
1 PLC	±
2 PLC	±
3 PLC	±
4 PLC	±
4. PCC	±
ANGLES	±

MATERIAL: 参照 △△

FINISH: 参照 △

20AUG04 DWN COREL WANG  
 23AUG04 CHK STEVEN YAO  
 23AUG04 APVD IENOMOTO

NAME: 108-60036

PRODUCT SPEC: APPLICATION SPEC

WEIGHT: 参照 △

CUSTOMER DRAWING

Tyco Electronics AMP K.K. Kawasaki, Japan

PLUG ASSY HORIZONTAL AMPLIMITE .050 SERIES I B-TO-B CONN.

SIZE: A3 CAGE CODE: 00779 DRAWING NO: 5173277 RESTRICTED TO

SCALE: 2:1 SHEET: 1 OF 2 REV: A1

4

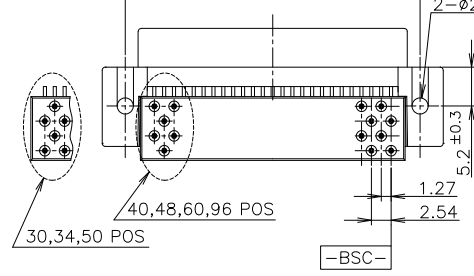
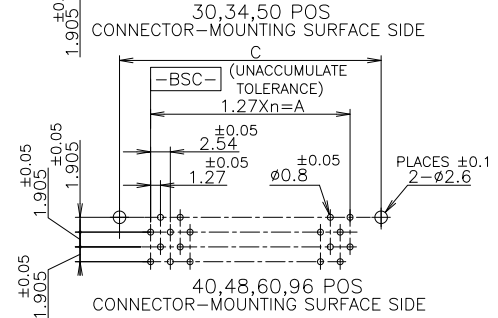
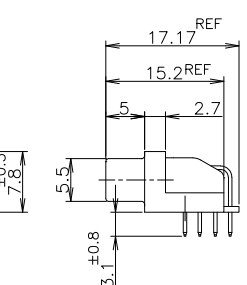
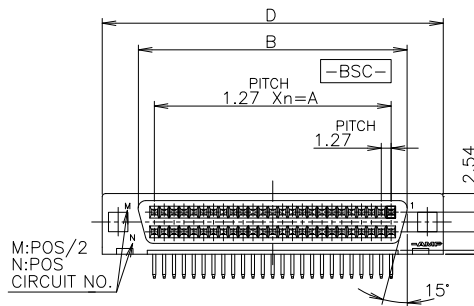
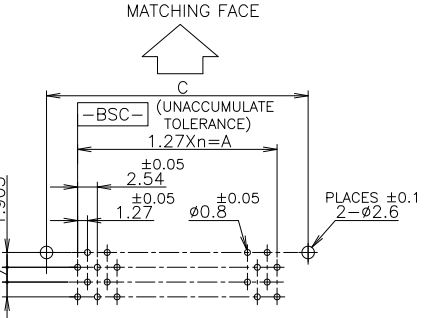
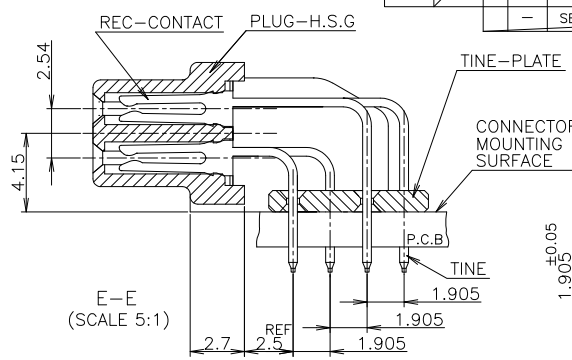
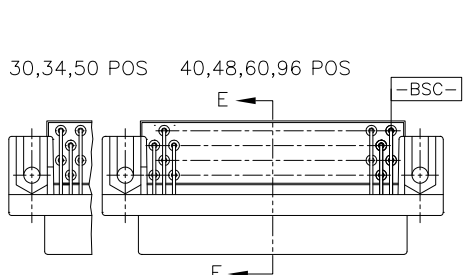
3

2

1

THIS DRAWING IS UNPUBLISHED. RELEASED FOR PUBLICATION AUG. 2004.  
 COPYRIGHT 2004 BY TYCO ELECTRONICS CORPORATION. ALL RIGHTS RESERVED.

LOC	DIST	REVISIONS	DATE	DWN	APVD
J		DESCRIPTION			
P	LTR	SEE SHEET SHEET 1 OF 3			



- 1 USE A P.C.B WHOSE SURFACES ARE TREATED WITH SOLDER RESIST.
  - 2 SHOW P.C.B LAYOUT FROM THE CONNECTOR-MOUNTING SURFACE SIDE.
  - 3 NUMBER THE CONTACTS IN THE P.C.B OR CONNECTOR CONSECUTIVELY FROM THE -BSC- SIDE.
  - 4 WHEN SCREWING THE CONNECTOR TO THE P.C.B, USE M2 SCREW, NUT AND WASHERS.
- △ HOUSING MATERIAL : GLASS 20% FILLED P.B.T RESIN (UL94-V0). COLOR:BLACK  
 △ CONTACT MATERIAL : PHOSPHOR BRONZE  
 △ FINISH : NICKEL 0.00127 MIN THK OVERALL SELECTIVE GOLD 0.00076 MIN THK ON CONTACT AREA AND TIN 0.001MIN THK ON TINE AREA  
 △ OBSOLETE PARTS: OBSOLETE CIS STREAMLINING PER D.RENAUD/D.SINISI

OBS	6-	-8	96	47	59.61	63.86	67.09	73.09
6-	-6	48	23	29.21	33.38	36.61	42.61	
6-	-5	34	16	20.32	24.49	27.72	33.72	
6-	-4	60	29	36.83	41.00	44.23	50.23	
6-	-3	50	24	30.48	34.65	37.88	43.88	
6-	-2	40	19	24.13	28.30	31.53	37.53	
6-	5173277-1	30	14	17.78	21.95	25.18	31.18	
	P/N	POS	n	A	B	C	D	

LEAD FREE

GENERAL TOLERANCE  
 10 ≥ : ±0.2  
 30 > 10: ±0.25  
 100 ≥ > 30: ±0.3  
 ANGLES: ±3°

THIS DRAWING IS A CONTROLLED DOCUMENT.	
DIMENSIONS: MM	TOLERANCES UNLESS OTHERWISE SPECIFIED:
0 PLC	±
1 PLC	±
2 PLC	±
3 PLC	±
4 PLC	±
ANGLES	±
MATERIAL	参照 △
FINISH	参照 △

THIS DRAWING IS A CONTROLLED DOCUMENT.

**Tyco Electronics** Tyco Electronics AMP K.K. Kawasaki, Japan

NAME: PLUG ASSY HORIZONTAL AMPLIMITE .050 SERIES I B-TO-B CONN.

SIZE: A3 CAGE CODE: 00779 DRAWING NO: 5173277 RESTRICTED TO

CUSTOMER DRAWING SCALE: 2:1 SHEET 2 OF 2 REV A1