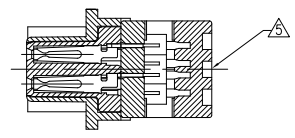
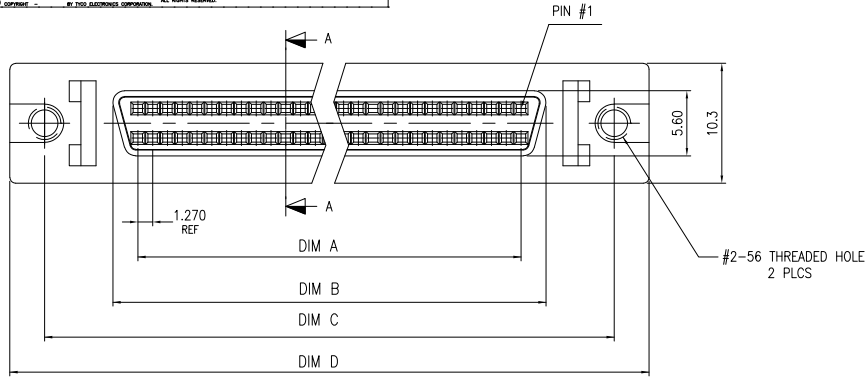
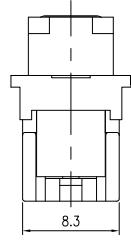
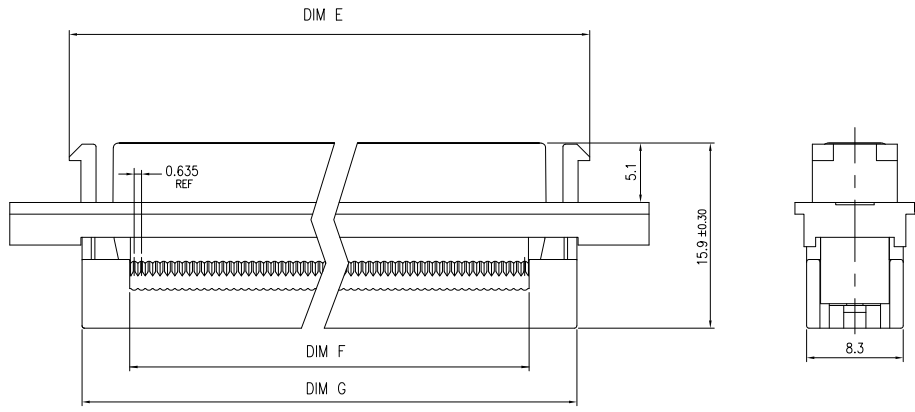


REV	DATE	DESCRIPTION	BY	CHK	APP
00					
B		REVISED PER EC 0513-0253-05			



SEC. A-A



- △ HOUSING: PBT, 30% GLASS REINFORCED, UL94V-0, COLOR BLACK.
CONTACTS: PHOS. BRONZE.
BRACKET: ZINC ALLOY.
- △ CONTACTS: GOLD PLATED (SEE TABLE) ON MATING END, 1.27um [.000050in] MIN MATTE TIN ON TERMINATION AREA, ALL OVER 1.27um [.000050in] MIN NICKEL ON ENTIRE CONTACT.
BRACKET: 1.27um [.000050in] MIN NICKEL.
- △ SPECIFICATIONS:
CURRENT RATING: 1A.
VOLTAGE RATING: 30V AC.
INSULATION RESISTANCE: 1000 MEGOHMS MIN. AT 500V DC.
CONTACT RESISTANCE: 55 MILLIOHMS MAX.
DIELECTRIC WITHSTANDING VOLTAGE: 250V AC FOR 1 MINUTE.
CONTACT RETENTION FORCE: 600 gf MIN.
TOTAL INSERTION FORCE: 4 Kgf MAX. (FORCE DEPENDENT ON MATING CONNECTOR)
TOTAL WITHDRAWAL FORCE: 1.5 Kgf MAX. (FORCE DEPENDENT ON MATING CONNECTOR)
WIRE COVER RETENTION FORCE: 6 Kgf MIN.
OPERATION TEMPERATURE: -55°C TO 85°C.
- △ FOR USE WITH 30 & 32 AWG FLAT RIBBON CABLE.
SELECTION OF COMPATIBLE RIBBON CABLE AND APPLICATION TOOLING FOR USE WITH THIS PRODUCT IS THE RESPONSIBILITY OF THE USER.
- △ TYCO LOGO LOCATED ON THIS SURFACE.
- 6. SPECIFICATIONS SUBJECT TO CHANGE WITHOUT NOTICE.
CONTACT TYCO ELECTRONICS FOR THE LATEST SPECIFICATIONS.
- 7. PACKAGED IN TRAYS.

OBsolete	51.5	43.30	53.70	63.90	57.93	46.20	41.91	0.76um [.000030in]	68	5390379-7
	40.07	31.87	42.27	52.47	46.50	34.77	30.48	0.76um [.000030in]	50	5390379-5
	DIM G	DIM F	DIM E	DIM D	DIM C	DIM B	DIM A	CONTACT FINISH	NO OF POS	PART NUMBER

THIS DRAWING IS A CONTROLLED DOCUMENT.

IN CHARGE: M. MULLERLEY
 DESIGNER: M. MULLERLEY
 CHECKED: M. MULLERLEY
 DATE: 11/10/05

RECEPTACLE ASSEMBLY, LATCHES, 0.64(.025) CENTERLINE, AMPULITE 1.27(.050) SERIES

SIZE: A1 00779 (C=5390379)

CUSTOMER DRAWING