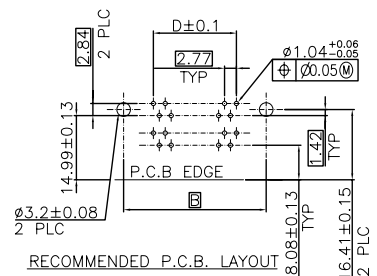
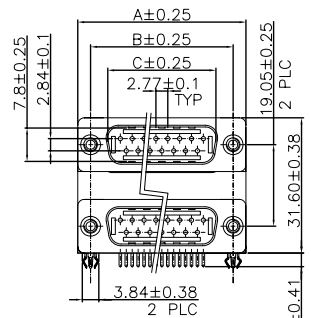
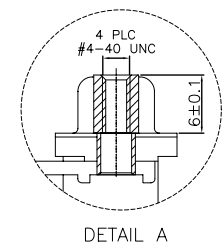
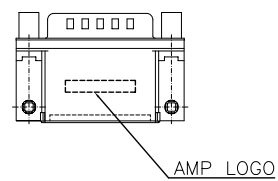
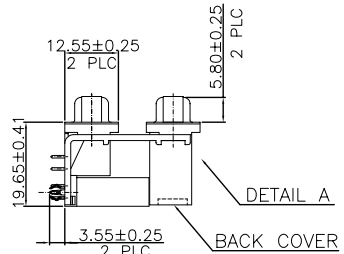
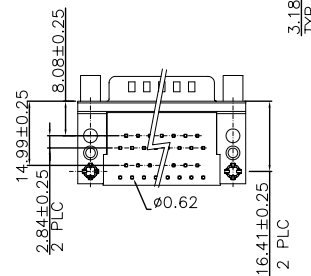


THIS DRAWING IS UNPUBLISHED. RELEASED FOR PUBLICATION AUG. 2006.  
 © COPYRIGHT 2009 BY TYCO ELECTRONICS CORPORATION. ALL RIGHTS RESERVED.

LOC	DIST	REVISIONS			
P	LTR	DESCRIPTION	DATE	DWN	APVD
B		REVISED (ECR-11-003466)	17FEB11	SC	WK



- NOTES:
- MATERIAL:
    - HOUSING/BACK COVER: THERMOPLASTIC(PBT), UL94V-0; COLOR: SEE TABLE.
    - CONTACTS: COPPER ALLOY
    - BOARDLOCK: COPPER ALLOY
    - BRACKET: ZINC ALLOY
    - SHELL: STEEL
  - FINISH:
    - CONTACT:
      - GOLD PLATING (SEE TABLE) ON CONTACT AREA.
      - 2.54µm[100µ"] MIN. MATTE TIN PLATING ON SOLDER TAIL AREA.
      - 1.27µm[50µ"] MIN. NICKEL UNDERPLATING OVERALL.
    - BOARDLOCK:
      - 1.52µm[60µ"] MIN. MATTE TIN PLATING OVERALL,
      - 1.27µm[50µ"] MIN. NICKEL UNDERPLATING OVERALL.
    - SHELL:
      - 1.52µm[60µ"] MIN. BRIGHT TIN PLATING OVERALL.
  - WAVE SOLDER CAPABLE TO 265°C PER TE SPEC. 109-202, CONDITION B.



X-1734280-6	30 u"	PC99/ACTUAL COLOR	37-37
X-1734280-5	10 u"	PC99/ACTUAL COLOR	NOT AVAILABLE
X-1734280-4	GOLD FLASH	PC99/ACTUAL COLOR	
X-1734280-3	30 u"	BLACK	
X-1734280-2	10 u"	BLACK	
X-1734280-1	GOLD FLASH	BLACK	
PART NO.	GOLD PLATING	HSG COLOR	

3-1734280-X	37-37	69.34	63.50	55.42	49.86
2-1734280-X	25-25	53.10	47.04	38.96	33.24
1-1734280-X	15-15	39.30	33.30	25.25	19.39
1734280-X	9-9	30.95	24.99	16.92	11.08
PART NO.	PINS	A	B	C	D

THIS DRAWING IS A CONTROLLED DOCUMENT.

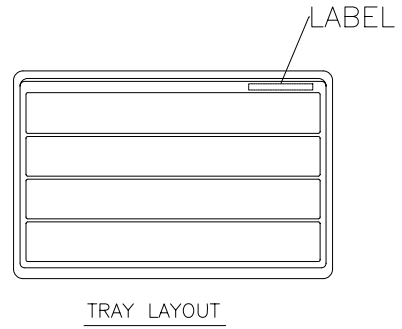
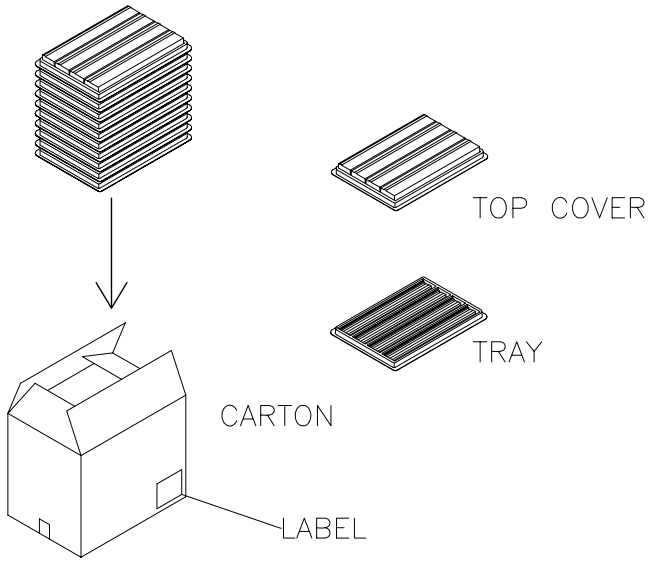
DWN	S. CHIEN	18MAY2009		Tyco Electronics Corporation	
CHK	S. CHIEN	18MAY2009		Taipei, Taiwan	
APVD	W. KODAMA	18MAY2009	NAME	D-SUB STACKED PLUG OVER PLUG, R/A TYPE, WITH #4-40 SCREWLOCK.	
PRODUCT SPEC	108-57517		SIZE	CAGE CODE	DRAWING NO
APPLICATION SPEC	501-57590		WEIGHT	A3 00779 ©=1734280	
MATERIAL	SEE NOTE	FINISH	SEE NOTE	CUSTOMER DRAWING	RESTRICTED TO
TOLERANCES UNLESS OTHERWISE SPECIFIED:			SCALE	SHEET	REV
0 PLC ± 0.5 1 PLC ± 0.3 2 PLC ± 0.2 3 PLC ± 0.15 4 PLC ± ANGLES ± 3°			—	1 of 2	B

THIS DRAWING IS UNPUBLISHED. RELEASED FOR PUBLICATION AUG. 2006.  
 © COPYRIGHT 2009 BY TYCO ELECTRONICS CORPORATION. ALL RIGHTS RESERVED.

LOC	DIST	REVISIONS			
P	LTR	DESCRIPTION	DATE	DWN	APVD
		SEE SHEET 1.			

- NOTES:  
 1. DIMENSION:  
 TRAY: L=310, W=215, H=30  
 CARTON: L=335, W=230, H=280  
 2. TRAY: PS or PET  
 3. QUANTITY:

PIN NO.	9-9	15-15	25-25	37-37
PCS/TRAY	36	28	20	16
TRAY/CARTON	10	10	10	10
PCS/CARTON	360	280	200	160
NET WT.(KG)	10.27	9.95	9.5	10.6
GROSS WT.(KG)	11.72	11.30	10.93	11.7



THIS DRAWING IS A CONTROLLED DOCUMENT.		DWN	Tyco Electronics Corporation Taipei, Taiwan	
DIMENSIONS: MM		CHK	NAME	
TOLERANCES UNLESS OTHERWISE SPECIFIED: 0 PLC ± - 1 PLC ± - 2 PLC ± - 3 PLC ± - 4 PLC ± - ANGLES ± -		APVD	D-SUB STACKED PLUG OVER PLUG, R/A TYPE, WITH #4-40 SCREWLOCK.	
MATERIAL		PRODUCT SPEC	SIZE	CAGE CODE
FINISH		APPLICATION SPEC	A3	00779
		WEIGHT	DRAWING NO	RESTRICTED TO
			C=1734280	
		CUSTOMER DRAWING	SCALE	SHEET 2 of 2
				REV B