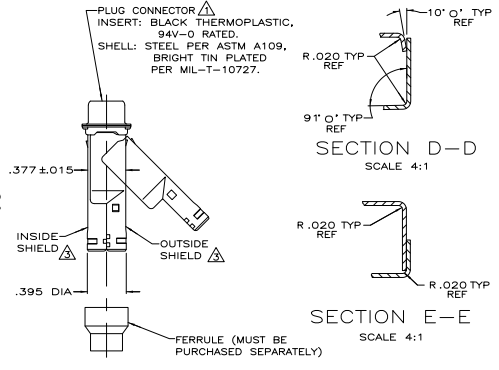
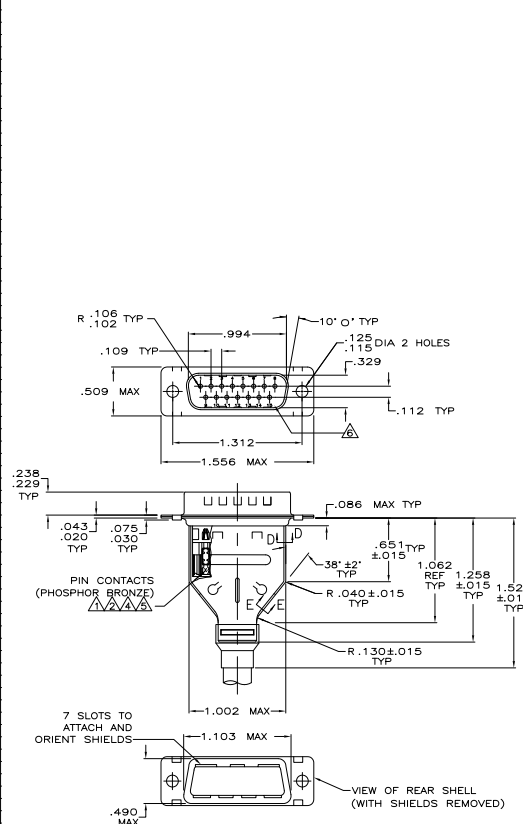


REV	DATE	DESCRIPTION	BY	APP
00				
1		REVISED FOR ECO-08-02886	JDF	CWR



- ⚠️ PLUG CONNECTOR FULLY LOADED WITH CONTACTS. ALL OTHER PARTS SHIPPED UNASSEMBLED (EACH PART INDIVIDUALLY BULK PACKED).
- ⚠️ NUMBER ON CONTACT INDICATES WIRE RANGE.
- ⚠️ SHIELDS: MATERIAL—.020 THICK STEEL, TIN PLATED.
- ⚠️ CONTACTS PLATED GOLD PLATED FOR LENGTH OF .150 MIN FROM MATING END, .00030 MIN GOLD IN MATED AREA, .000100—.000200 BRIGHT TIN OR BRIGHT IN TIN-LEAD IN WIRE TERMINATION AREA, .000050 NICKEL UNDERPLATE ON ENTIRE CONTACT.
- ⚠️ CONTACTS PLATED GOLD PLATED FOR LENGTH OF .150 MIN FROM MATING END, GOLD FLASH IN MATED AREA, .000100—.000200 BRIGHT TIN OR BRIGHT IN TIN-LEAD IN WIRE TERMINATION AREA, .000030 NICKEL UNDERPLATE ON ENTIRE CONTACT.
- ⚠️ RAISED CAVITY IDENTIFICATION AND AMP TRADEMARK.
- ⚠️ CONTACTS GOLD PLATED FOR A LENGTH OF .150 MIN FROM MATING END, .00030 MIN GOLD IN MATED AREA, .000100—.000200 MATTE TIN IN WIRE TERMINATION AREA, ALL OVER .000050 MIN NICKEL UNDERPLATE ON ENTIRE CONTACT.
- OR
- ⚠️ CONTACTS GOLD PLATED FOR A LENGTH OF .150 MIN FROM MATING END, GOLD FLASH OVER PALLADIUM-NICKEL, .00030 MIN TOTAL IN MATED AREA, .000100—.000200 MATTE TIN IN WIRE TERMINATION AREA, ALL OVER .000050 MIN NICKEL UNDERPLATE ON ENTIRE CONTACT.
- ⚠️ CONTACTS PLATED GOLD FLASH FOR A LENGTH OF .150 MIN FROM MATING END, .000100—.000200 MATTE TIN IN WIRE TERMINATION AREA, ALL OVER .000030 MIN NICKEL UNDERPLATE ON ENTIRE CONTACT.

⚠️	2	#22-26	747531-9
⚠️	2	#22-26	747531-8
⚠️	1	#26-30	747531-7
⚠️	3	#20-22	747531-6
OBSOLETE	2	#22-26	747531-5
OBSOLETE	1	#26-30	747531-4
OBSOLETE	3	#20-22	747531-3
OBSOLETE	2	#22-26	747531-2
OBSOLETE	1	#26-30	747531-1

THIS DRAWING IS A CONTROLLED DOCUMENT.		REV	DATE	BY	APP	DESCRIPTION
1	1	11/18/08	JDF	CWR		INITIAL RELEASE
2	1	11/18/08	JDF	CWR		INITIAL RELEASE
3	1	11/18/08	JDF	CWR		INITIAL RELEASE
4	1	11/18/08	JDF	CWR		INITIAL RELEASE
5	1	11/18/08	JDF	CWR		INITIAL RELEASE
6	1	11/18/08	JDF	CWR		INITIAL RELEASE
7	1	11/18/08	JDF	CWR		INITIAL RELEASE
8	1	11/18/08	JDF	CWR		INITIAL RELEASE
9	1	11/18/08	JDF	CWR		INITIAL RELEASE
10	1	11/18/08	JDF	CWR		INITIAL RELEASE
11	1	11/18/08	JDF	CWR		INITIAL RELEASE
12	1	11/18/08	JDF	CWR		INITIAL RELEASE
13	1	11/18/08	JDF	CWR		INITIAL RELEASE
14	1	11/18/08	JDF	CWR		INITIAL RELEASE
15	1	11/18/08	JDF	CWR		INITIAL RELEASE
16	1	11/18/08	JDF	CWR		INITIAL RELEASE
17	1	11/18/08	JDF	CWR		INITIAL RELEASE
18	1	11/18/08	JDF	CWR		INITIAL RELEASE
19	1	11/18/08	JDF	CWR		INITIAL RELEASE
20	1	11/18/08	JDF	CWR		INITIAL RELEASE
21	1	11/18/08	JDF	CWR		INITIAL RELEASE
22	1	11/18/08	JDF	CWR		INITIAL RELEASE
23	1	11/18/08	JDF	CWR		INITIAL RELEASE
24	1	11/18/08	JDF	CWR		INITIAL RELEASE
25	1	11/18/08	JDF	CWR		INITIAL RELEASE
26	1	11/18/08	JDF	CWR		INITIAL RELEASE
27	1	11/18/08	JDF	CWR		INITIAL RELEASE
28	1	11/18/08	JDF	CWR		INITIAL RELEASE
29	1	11/18/08	JDF	CWR		INITIAL RELEASE
30	1	11/18/08	JDF	CWR		INITIAL RELEASE
31	1	11/18/08	JDF	CWR		INITIAL RELEASE
32	1	11/18/08	JDF	CWR		INITIAL RELEASE
33	1	11/18/08	JDF	CWR		INITIAL RELEASE
34	1	11/18/08	JDF	CWR		INITIAL RELEASE
35	1	11/18/08	JDF	CWR		INITIAL RELEASE
36	1	11/18/08	JDF	CWR		INITIAL RELEASE
37	1	11/18/08	JDF	CWR		INITIAL RELEASE
38	1	11/18/08	JDF	CWR		INITIAL RELEASE
39	1	11/18/08	JDF	CWR		INITIAL RELEASE
40	1	11/18/08	JDF	CWR		INITIAL RELEASE
41	1	11/18/08	JDF	CWR		INITIAL RELEASE
42	1	11/18/08	JDF	CWR		INITIAL RELEASE
43	1	11/18/08	JDF	CWR		INITIAL RELEASE
44	1	11/18/08	JDF	CWR		INITIAL RELEASE
45	1	11/18/08	JDF	CWR		INITIAL RELEASE
46	1	11/18/08	JDF	CWR		INITIAL RELEASE
47	1	11/18/08	JDF	CWR		INITIAL RELEASE
48	1	11/18/08	JDF	CWR		INITIAL RELEASE
49	1	11/18/08	JDF	CWR		INITIAL RELEASE
50	1	11/18/08	JDF	CWR		INITIAL RELEASE
51	1	11/18/08	JDF	CWR		INITIAL RELEASE
52	1	11/18/08	JDF	CWR		INITIAL RELEASE
53	1	11/18/08	JDF	CWR		INITIAL RELEASE
54	1	11/18/08	JDF	CWR		INITIAL RELEASE
55	1	11/18/08	JDF	CWR		INITIAL RELEASE
56	1	11/18/08	JDF	CWR		INITIAL RELEASE
57	1	11/18/08	JDF	CWR		INITIAL RELEASE
58	1	11/18/08	JDF	CWR		INITIAL RELEASE
59	1	11/18/08	JDF	CWR		INITIAL RELEASE
60	1	11/18/08	JDF	CWR		INITIAL RELEASE
61	1	11/18/08	JDF	CWR		INITIAL RELEASE
62	1	11/18/08	JDF	CWR		INITIAL RELEASE
63	1	11/18/08	JDF	CWR		INITIAL RELEASE
64	1	11/18/08	JDF	CWR		INITIAL RELEASE
65	1	11/18/08	JDF	CWR		INITIAL RELEASE
66	1	11/18/08	JDF	CWR		INITIAL RELEASE
67	1	11/18/08	JDF	CWR		INITIAL RELEASE
68	1	11/18/08	JDF	CWR		INITIAL RELEASE
69	1	11/18/08	JDF	CWR		INITIAL RELEASE
70	1	11/18/08	JDF	CWR		INITIAL RELEASE
71	1	11/18/08	JDF	CWR		INITIAL RELEASE
72	1	11/18/08	JDF	CWR		INITIAL RELEASE
73	1	11/18/08	JDF	CWR		INITIAL RELEASE
74	1	11/18/08	JDF	CWR		INITIAL RELEASE
75	1	11/18/08	JDF	CWR		INITIAL RELEASE
76	1	11/18/08	JDF	CWR		INITIAL RELEASE
77	1	11/18/08	JDF	CWR		INITIAL RELEASE
78	1	11/18/08	JDF	CWR		INITIAL RELEASE
79	1	11/18/08	JDF	CWR		INITIAL RELEASE
80	1	11/18/08	JDF	CWR		INITIAL RELEASE
81	1	11/18/08	JDF	CWR		INITIAL RELEASE
82	1	11/18/08	JDF	CWR		INITIAL RELEASE
83	1	11/18/08	JDF	CWR		INITIAL RELEASE
84	1	11/18/08	JDF	CWR		INITIAL RELEASE
85	1	11/18/08	JDF	CWR		INITIAL RELEASE
86	1	11/18/08	JDF	CWR		INITIAL RELEASE
87	1	11/18/08	JDF	CWR		INITIAL RELEASE
88	1	11/18/08	JDF	CWR		INITIAL RELEASE
89	1	11/18/08	JDF	CWR		INITIAL RELEASE
90	1	11/18/08	JDF	CWR		INITIAL RELEASE
91	1	11/18/08	JDF	CWR		INITIAL RELEASE
92	1	11/18/08	JDF	CWR		INITIAL RELEASE
93	1	11/18/08	JDF	CWR		INITIAL RELEASE
94	1	11/18/08	JDF	CWR		INITIAL RELEASE
95	1	11/18/08	JDF	CWR		INITIAL RELEASE
96	1	11/18/08	JDF	CWR		INITIAL RELEASE
97	1	11/18/08	JDF	CWR		INITIAL RELEASE
98	1	11/18/08	JDF	CWR		INITIAL RELEASE
99	1	11/18/08	JDF	CWR		INITIAL RELEASE
100	1	11/18/08	JDF	CWR		INITIAL RELEASE